

US00D506682S

(12) **United States Design Patent**  
**Raile**

(10) **Patent No.:** **US D506,682 S**  
(45) **Date of Patent:** **\*\* Jun. 28, 2005**

(54) **EYEGLASS DISPLAY**  
(75) **Inventor:** **Bruce Raile**, Park City, UT (US)  
(73) **Assignee:** **Sun Optics, Inc.**, Salt Lake City, UT (US)  
(\*\*) **Term:** **14 Years**

D432,909 S \* 10/2000 Pirro et al. .... D9/415  
D433,936 S \* 11/2000 Pirro et al. .... D9/415  
D449,779 S \* 10/2001 Otto ..... D9/415  
D450,239 S \* 11/2001 Otto ..... D9/415  
D451,015 S \* 11/2001 Otto ..... D9/415  
D451,382 S \* 12/2001 Adkins ..... D9/415  
6,415,915 B1 7/2002 Grossman  
D479,126 S \* 9/2003 Kumakura et al. .... D9/415  
6,626,287 B1 9/2003 Watson

(21) **Appl. No.:** **29/199,081**  
(22) **Filed:** **Feb. 6, 2004**

**FOREIGN PATENT DOCUMENTS**

DE 3815889 11/1989

(51) **LOC (8) Cl.** ..... **09-03**  
(52) **U.S. Cl.** ..... **D9/756; D9/737**  
(58) **Field of Search** ..... D9/737, 756, 757,  
D9/759, 414, 415, 418, 424, 427, 432,  
347; 206/461, 457, 5, 523, 216; 211/85.1,  
163; D3/266

\* cited by examiner

*Primary Examiner*—Stella Reid  
*Assistant Examiner*—Mark A. Goodwin  
(74) *Attorney, Agent, or Firm*—Workman-Nydegger

(56) **References Cited**

(57) **CLAIM**

The ornamental design for an eyeglass display, as shown and described.

**U.S. PATENT DOCUMENTS**

**DESCRIPTION**

2,713,947 A 7/1955 Foster  
2,735,597 A 2/1956 Treleven  
2,747,760 A 5/1956 Jacobson  
2,816,666 A 12/1957 Nadel  
RE24,571 E 11/1958 Nadel  
2,936,897 A 5/1960 Bloch  
2,966,271 A 12/1960 Nadel  
3,144,343 A \* 8/1964 Fritsche ..... 426/115  
3,184,319 A \* 5/1965 Fritsche ..... 426/115  
3,288,280 A \* 11/1966 Bostrom ..... 206/461  
3,333,709 A 8/1967 Leblanc et al.  
3,357,568 A 12/1967 Leblanc et al.  
3,676,159 A \* 7/1972 Fallowfield ..... 206/205  
3,817,392 A 6/1974 Bloch  
D237,779 S \* 11/1975 Lucas ..... D9/426  
4,204,602 A 5/1980 Dunchock  
4,715,575 A 12/1987 Kamerer  
4,733,775 A 3/1988 Fireman  
4,744,461 A 5/1988 Lapham  
D352,454 S \* 11/1994 Krupa ..... D9/425  
5,423,419 A 6/1995 Wentz et al.  
5,501,321 A 3/1996 Liu  
5,568,872 A 10/1996 Hinnant, Sr.  
5,929,967 A 7/1999 Conner

FIG. 1 is a perspective view of an eyeglass display in accordance with a preferred embodiment of the present invention;

FIG. 2 is a front elevational view of the eyeglass display as shown in FIG. 1;

FIG. 3 is a right side elevational view of the eyeglass display shown in FIG. 1, with the left side view being a mirror image thereof;

FIG. 4 is a top plan view of the eyeglass display shown in FIG. 1;

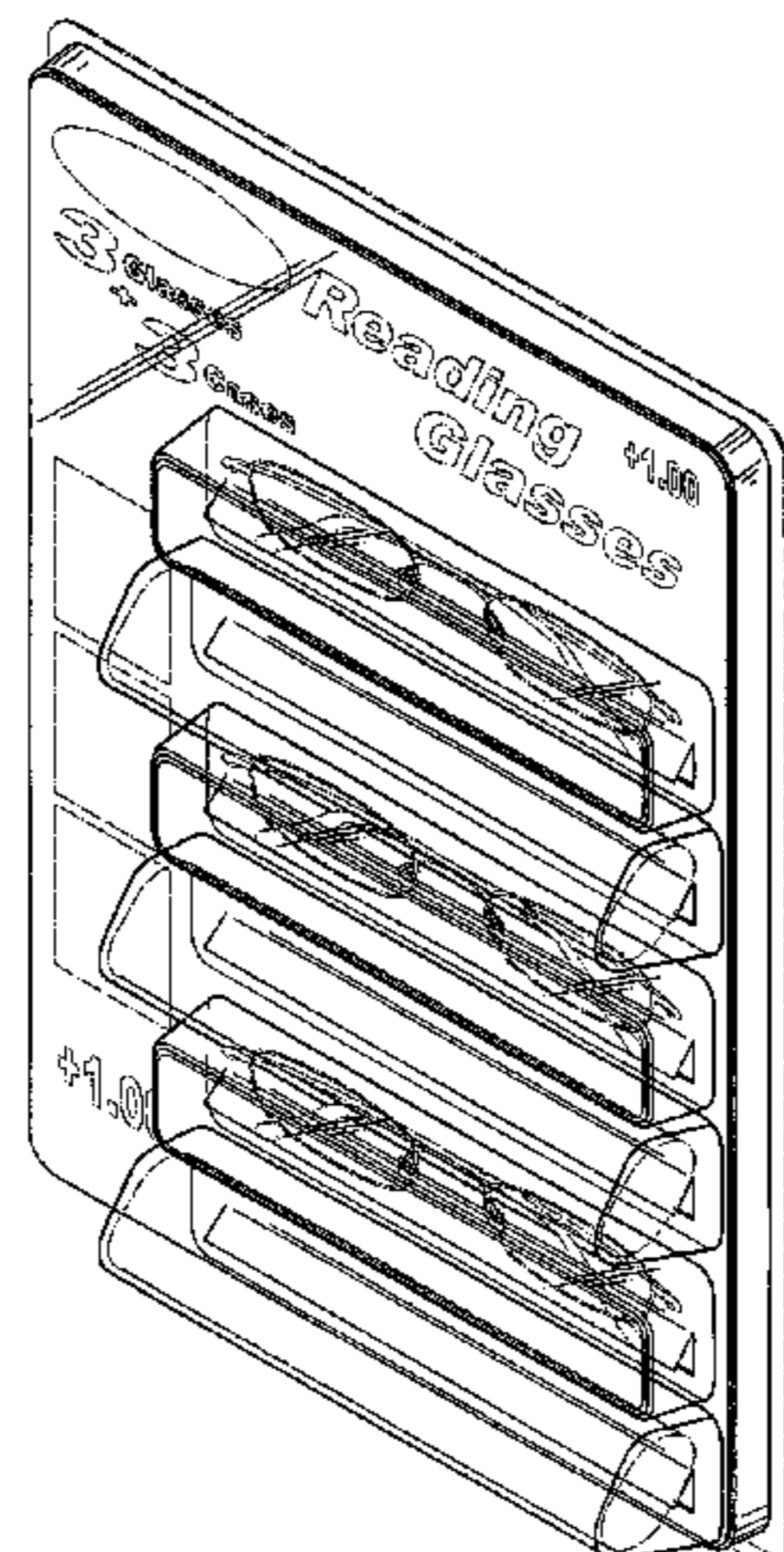
FIG. 5 is a back elevational view of the eyeglass display as shown in FIG. 1; and,

FIG. 6 is a bottom plan view of the eyeglass display as shown in FIG. 1.

The broken lines are for illustrative purposes only and form no part of the claimed design.

The wavy line in FIGS. 3, 4, and 6 depicts a cutaway portion and forms no part of the claimed design.

**1 Claim, 3 Drawing Sheets**



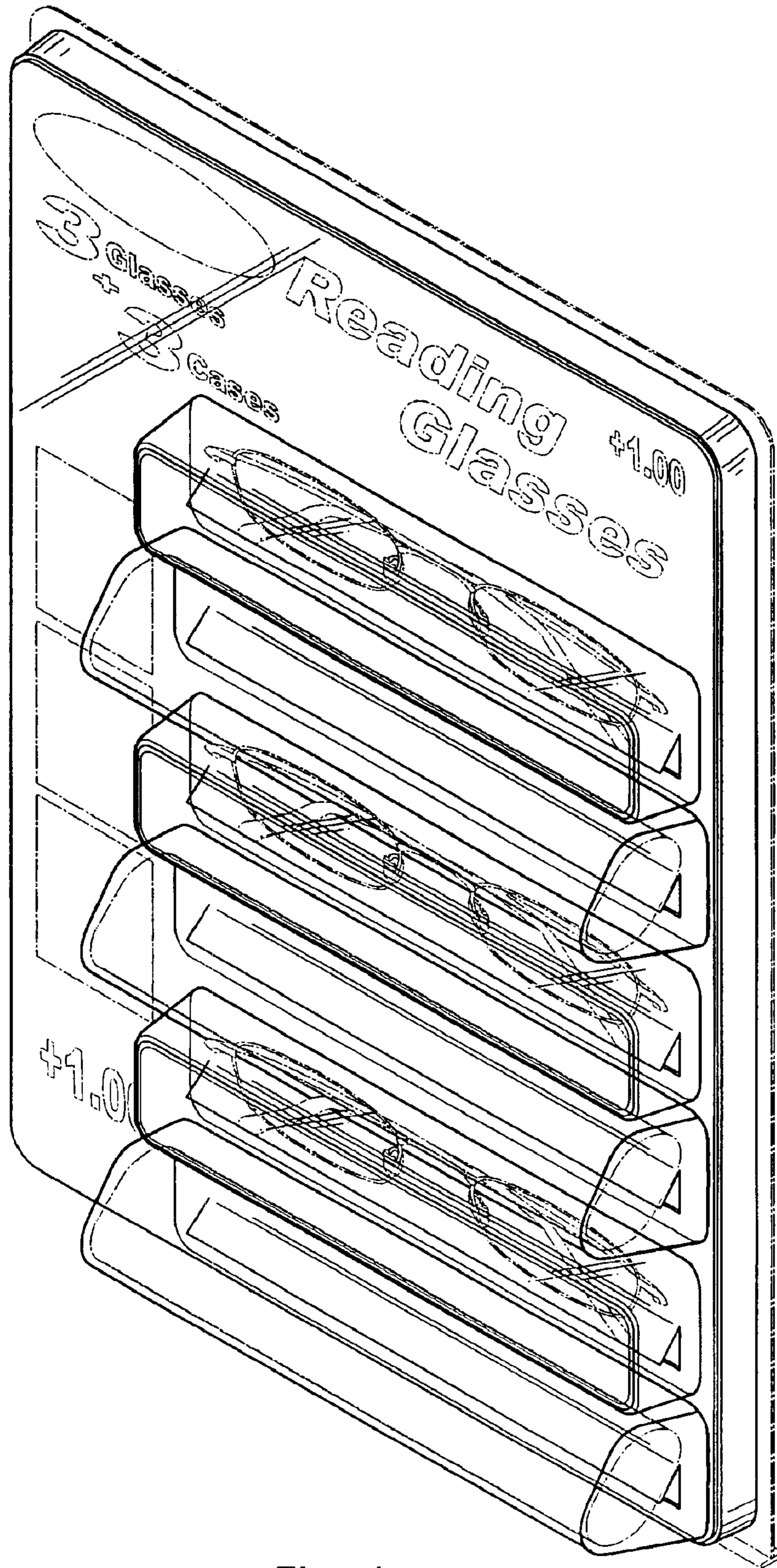


Fig. 1



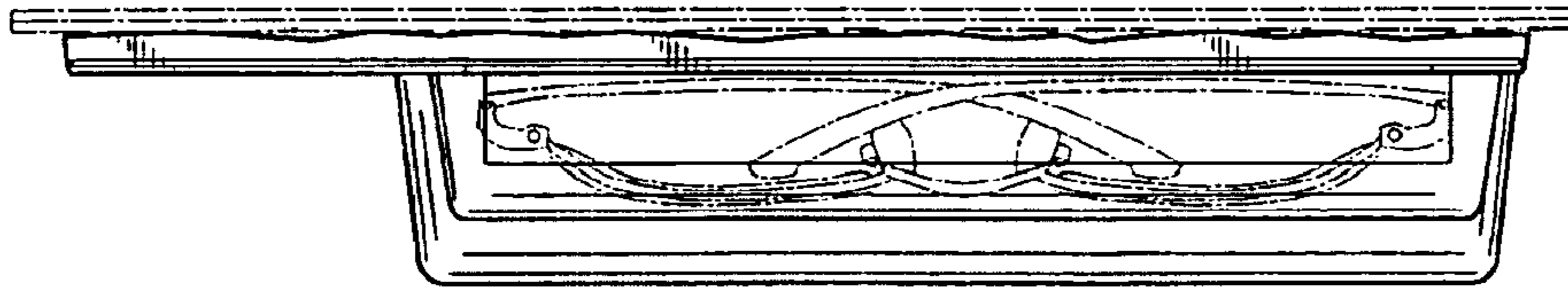


Fig. 4

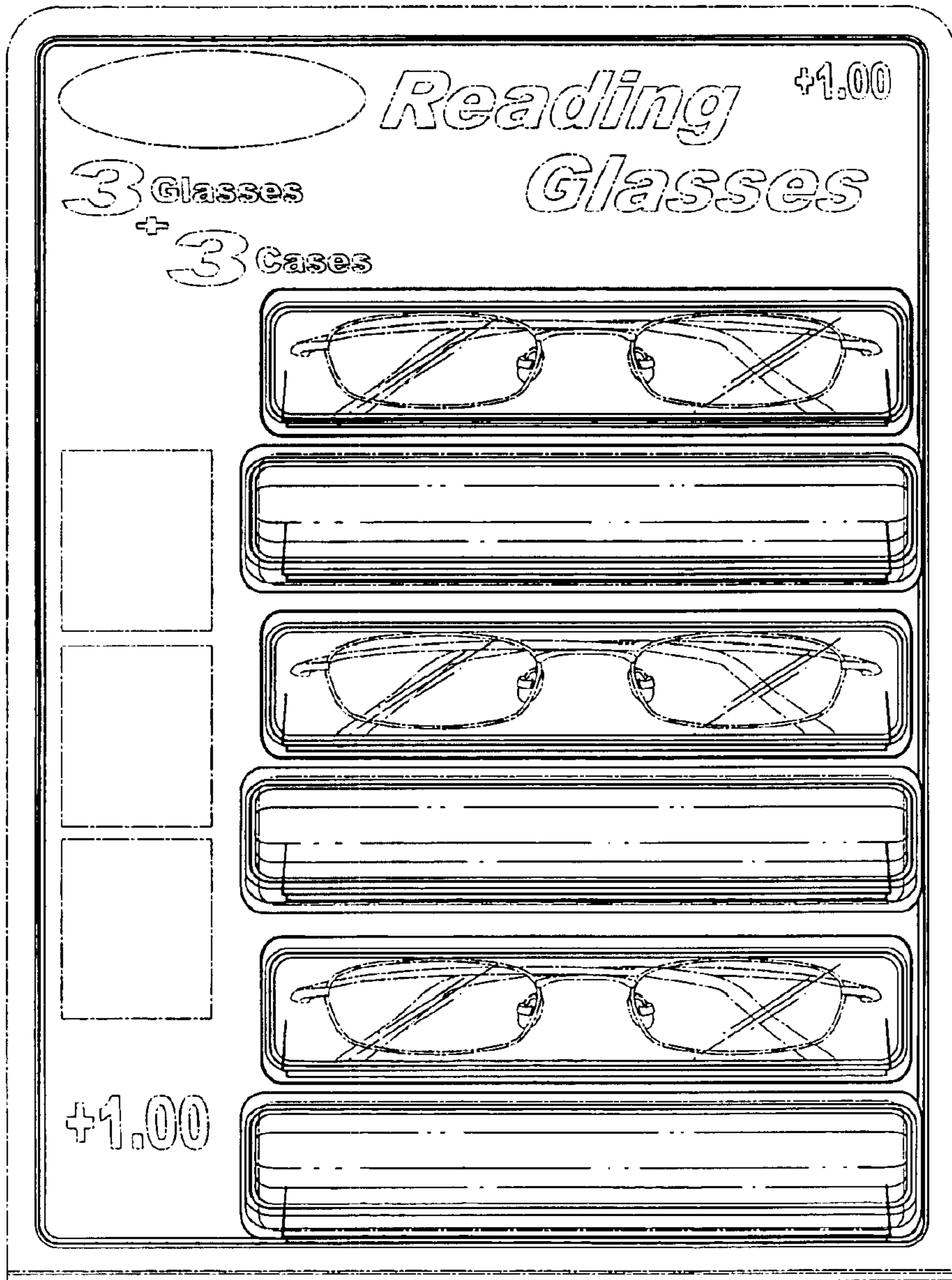


Fig. 2

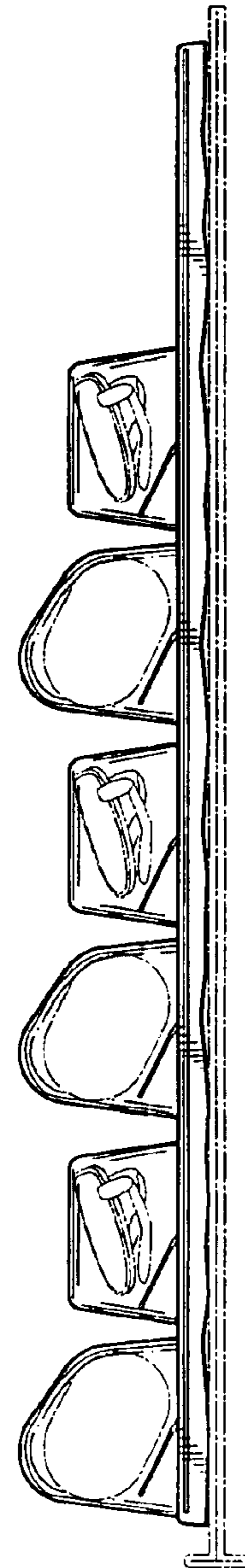
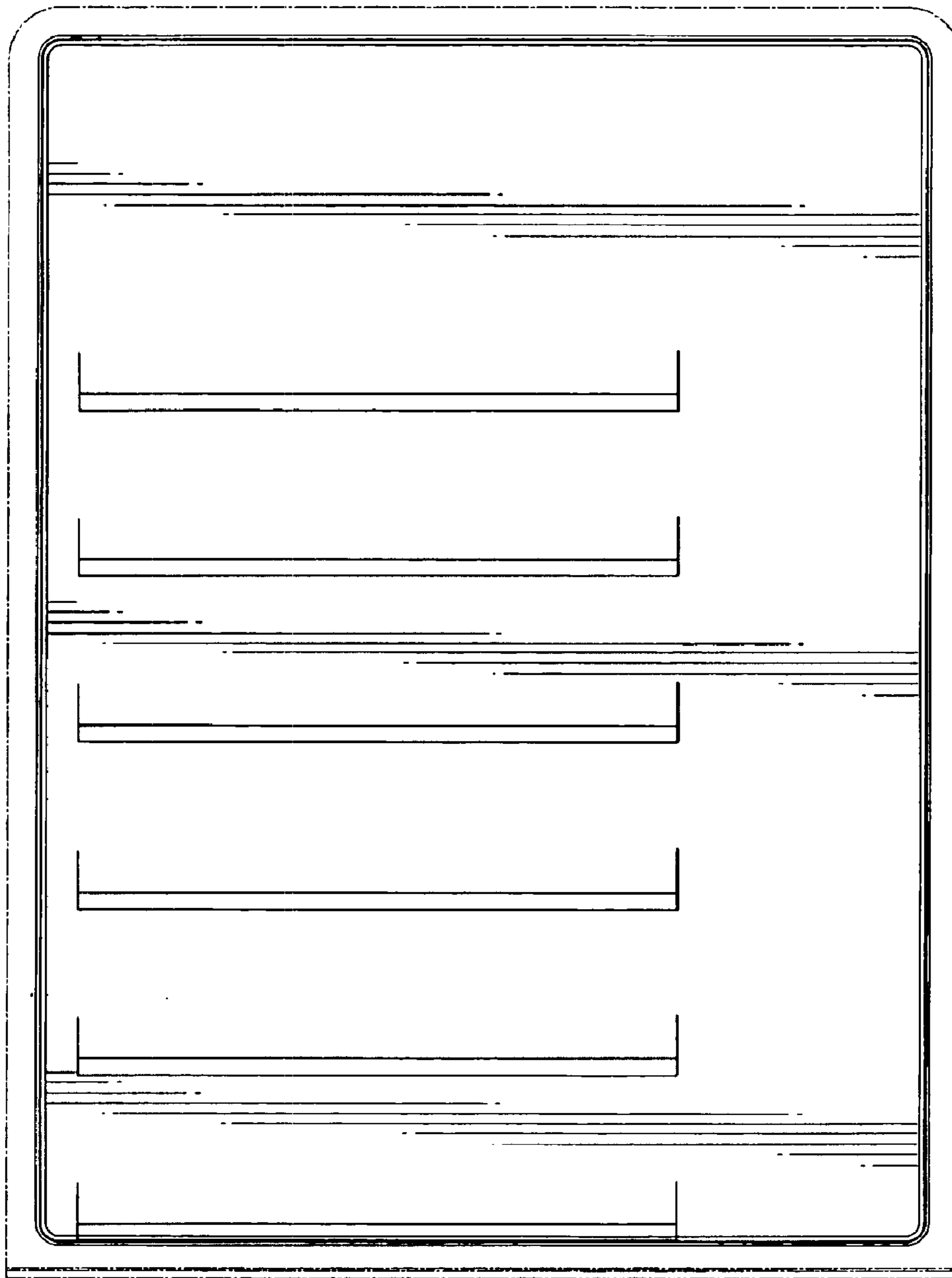
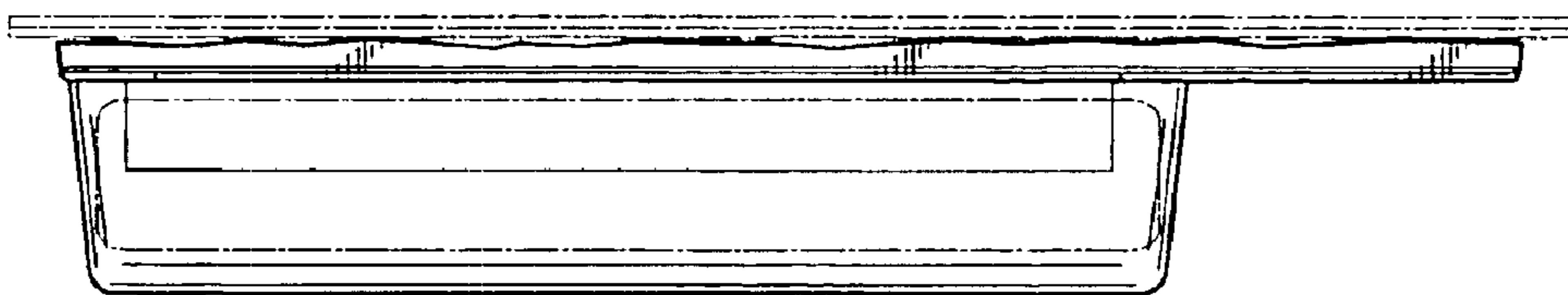


Fig. 3



*Fig. 5*



*Fig. 6*