

US00D506681S

(12) **United States Design Patent** (10) **Patent No.:** **US D506,681 S**
Raile (45) **Date of Patent:** **** Jun. 28, 2005**

(54) **EYEGLASS DISPLAY**

(75) Inventor: **Bruce Raile**, Park City, UT (US)

(73) Assignee: **Sun Optics, Inc.**, Salt Lake City, UT (US)

(**) Term: **14 Years**

D432,909 S * 10/2000 Pirro et al. D9/415
D433,936 S * 11/2000 Pirro et al. D9/415
D449,779 S * 10/2001 Otto D9/415
D450,239 S * 11/2001 Otto D9/415
D451,015 S * 11/2001 Otto D9/415
D451,382 S * 12/2001 Adkins D9/415
6,415,915 B1 7/2002 Grossman
D479,126 S * 9/2003 Kumakura et al. D9/415
6,626,287 B1 9/2003 Watson

(21) Appl. No.: **29/199,080**

(22) Filed: **Feb. 6, 2004**

(51) **LOC (8) Cl.** **09-03**

(52) **U.S. Cl.** **D9/756; D9/737**

(58) **Field of Search** D9/737, 756, 757,
D9/759, 414, 415, 418, 424, 427, 432,
347; 206/461, 457, 5, 523, 216; 211/85.1,
163; D3/266

FOREIGN PATENT DOCUMENTS

DE 3815889 11/1989

* cited by examiner

Primary Examiner—Stella Reid
Assistant Examiner—Mark A. Goodwin
(74) *Attorney, Agent, or Firm*—Workman-Nydegger

(57) **CLAIM**

The ornamental design for an eyeglass display, as shown and described.

(56) **References Cited**

U.S. PATENT DOCUMENTS

2,713,947 A 7/1955 Foster
2,735,597 A 2/1956 Treleven
2,747,760 A 5/1956 Jacobson
2,816,666 A 12/1957 Nadel
RE24,571 E 11/1958 Nadel
2,936,897 A 5/1960 Bloch
2,966,271 A 12/1960 Nadel
3,144,343 A * 8/1964 Fritsche 426/115
3,184,319 A * 5/1965 Fritsche 426/115
3,288,280 A * 11/1966 Bostrom 206/461
3,333,709 A 8/1967 Leblanc et al.
3,357,568 A 12/1967 Leblanc et al.
3,676,159 A * 7/1972 Fallowfield 206/205
3,817,392 A 6/1974 Bloch
D237,779 S * 11/1975 Lucas D9/426
4,204,602 A 5/1980 Dunchock
4,715,575 A 12/1987 Kamerer
4,733,775 A 3/1988 Fireman
4,744,461 A 5/1988 Lapham
D352,454 S * 11/1994 Krupa D9/425
5,423,419 A 6/1995 Wentz et al.
5,501,321 A 3/1996 Liu
5,568,872 A 10/1996 Hinnant, Sr.
5,929,967 A 7/1999 Conner

DESCRIPTION

FIG. 1 is a perspective view of an eyeglass display in accordance with a preferred embodiment of the present invention;

FIG. 2 is a front elevational view of the eyeglass display as shown in FIG. 1;

FIG. 3 is a right side elevational view of the eyeglass display shown in FIG. 1, with the left side view being a mirror image thereof;

FIG. 4 is a top plan view of the eyeglass display shown in FIG. 1;

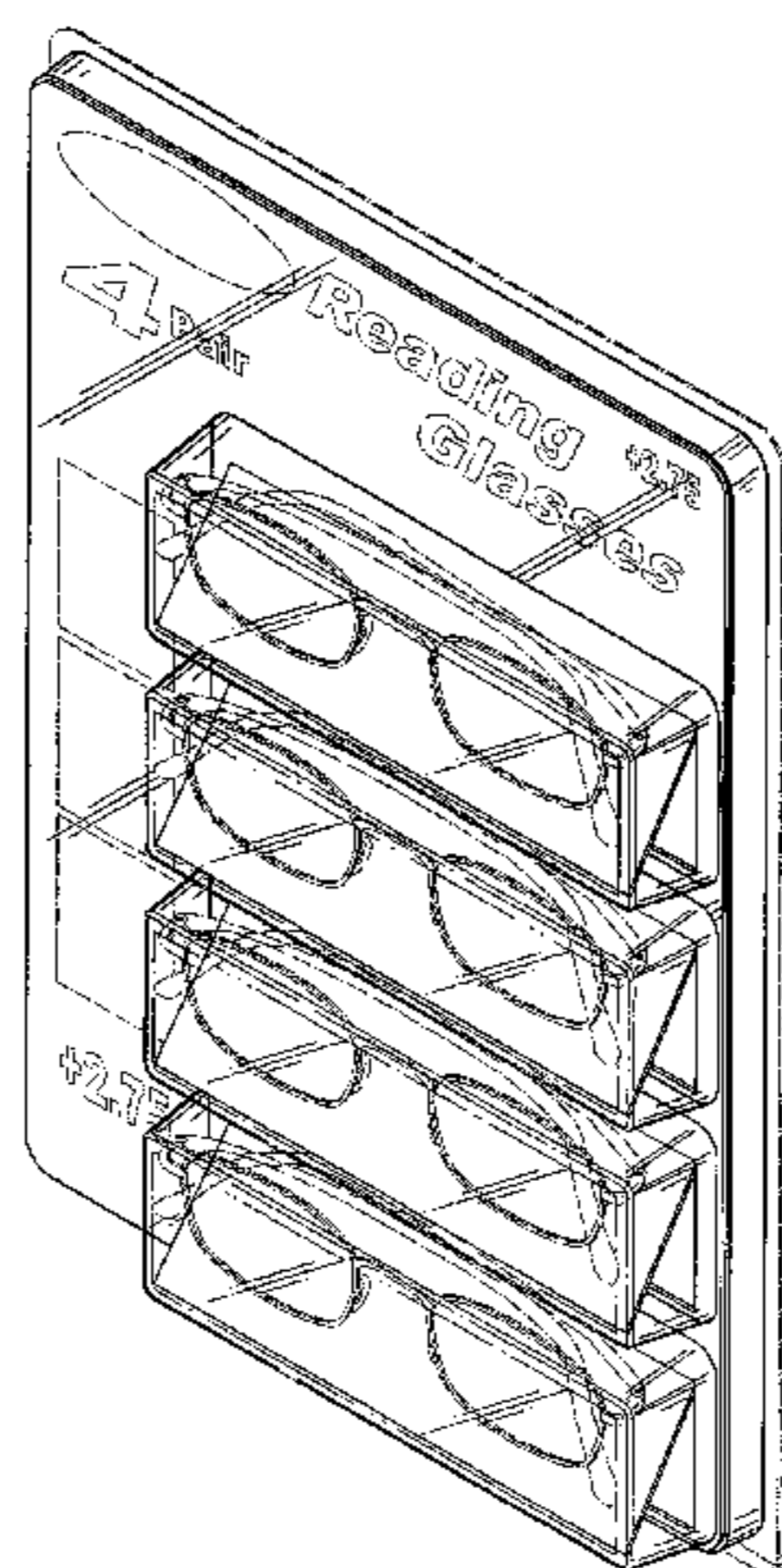
FIG. 5 is a back elevational view of the eyeglass display as shown in FIG. 1; and,

FIG. 6 is a bottom plan view of the eyeglass display as shown in FIG. 1.

The broken lines are for illustrative purposes only and form no part of the claimed design.

The wavy line in FIGS. 3, 4, and 6 depicts a cutaway portion and forms no part of the claimed design.

1 Claim, 3 Drawing Sheets



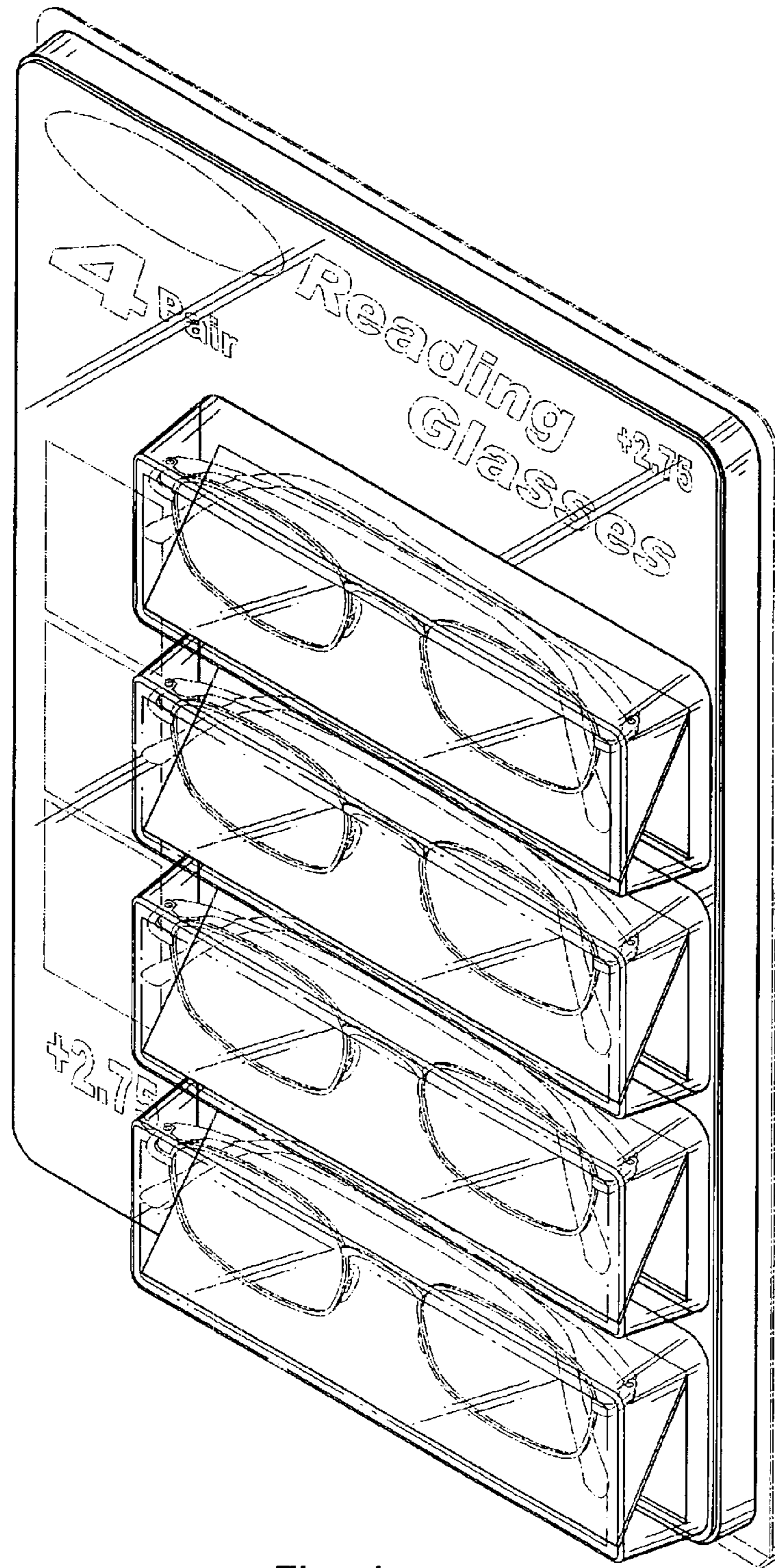


Fig. 1

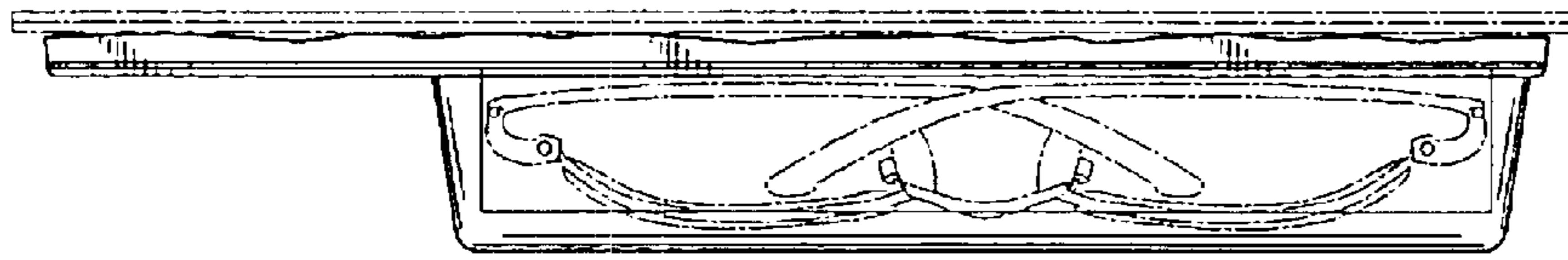


Fig. 4

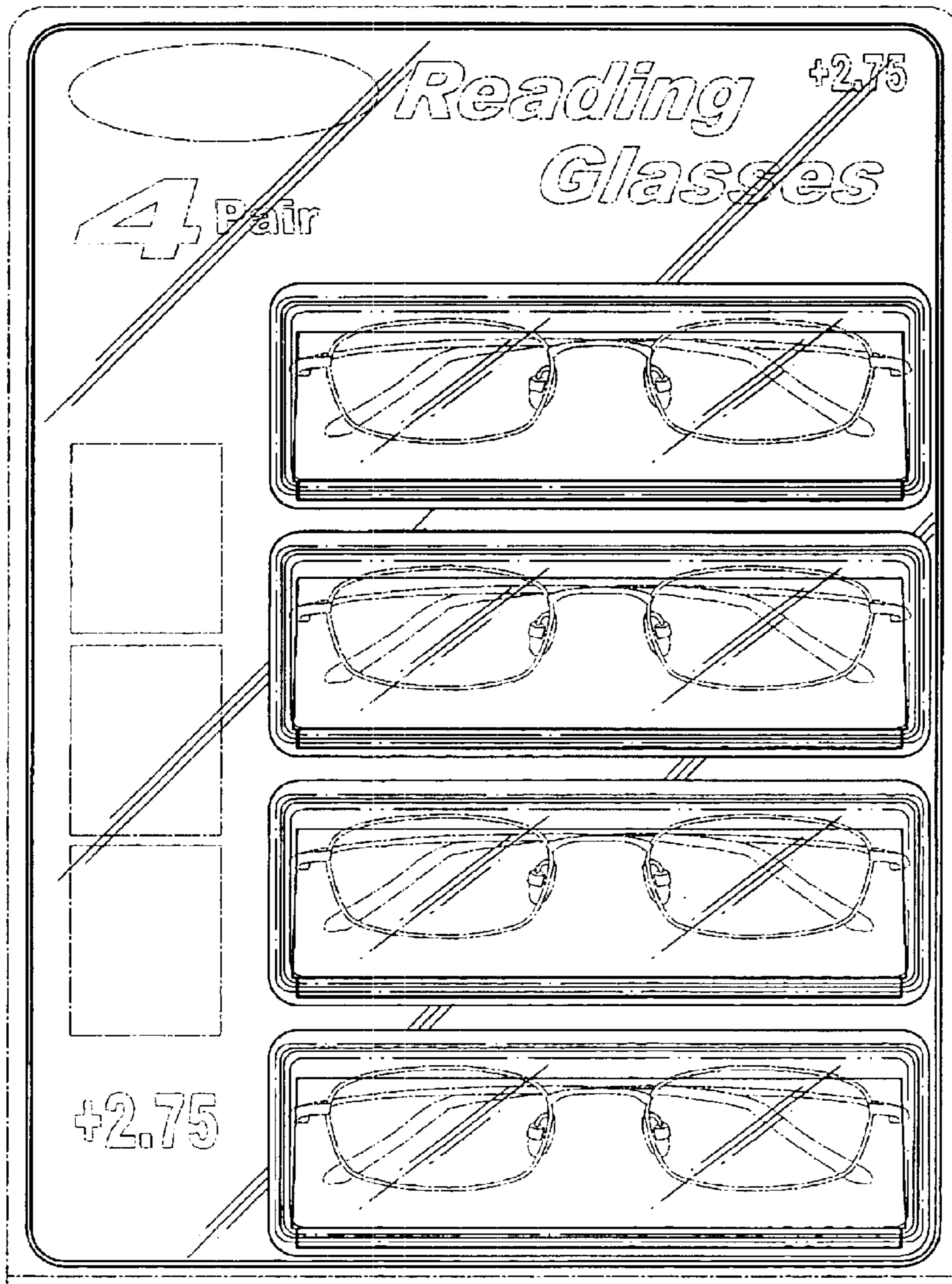


Fig. 2

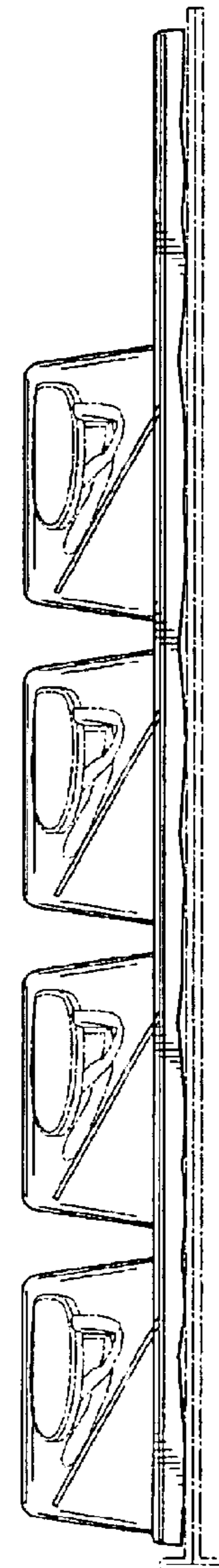


Fig. 3

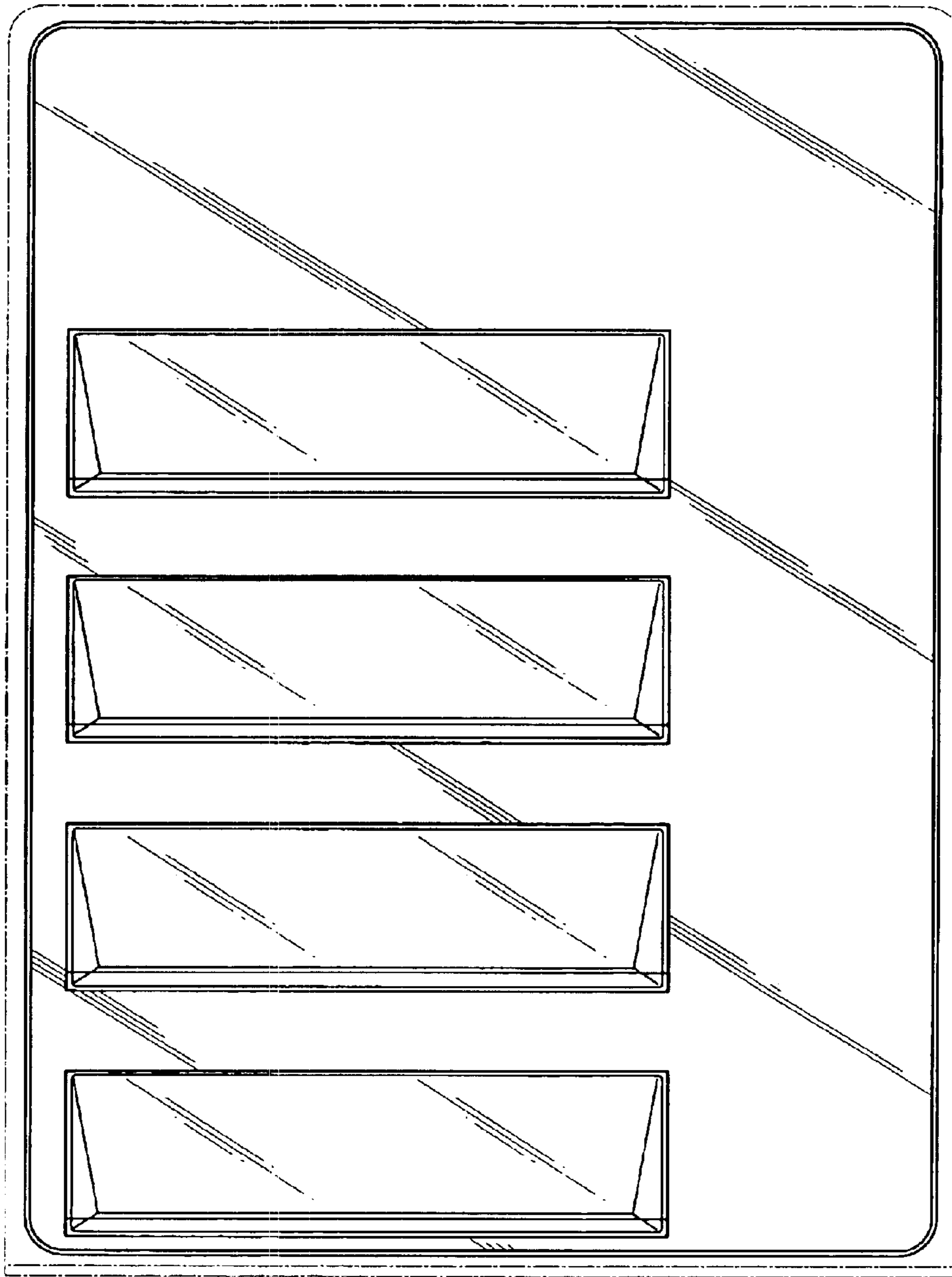


Fig. 5

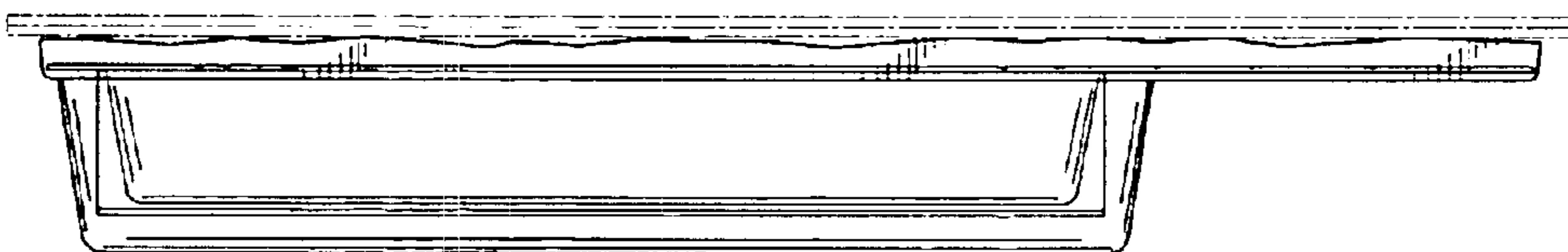


Fig. 6