

US00D506671S

(12) **United States Design Patent**
Tilley et al.

(10) **Patent No.: US D506,671 S**
(45) **Date of Patent: ** Jun. 28, 2005**

(54) **PIZZA BOX**

(75) Inventors: **Dana M. Tilley**, Shelbyville, KY (US);
Robert C. Carlson, Louisville, KY
(US); **Stanley E. Knierim**,
Indianapolis, IN (US); **Owen Glock**,
Valparaiso, IN (US); **Melissa M.**
Bailey, Louisville, KY (US)

(73) Assignee: **Papa John's International, Inc.**,
Louisville, KY (US)

(**) Term: **14 Years**

(21) Appl. No.: **29/195,979**

(22) Filed: **Dec. 18, 2003**

(51) **LOC (8) Cl. 09-03**

(52) **U.S. Cl. D9/432; D9/433**

(58) **Field of Search** D9/430-433, 414-416,
D9/420-424, 418; 206/216, 541, 525, 83.5;
229/221, 126, 122.28, 129.1, 224, 87.08,
125.25, 902-906, 938

(56) **References Cited**

U.S. PATENT DOCUMENTS

D244,833 S * 6/1977 Persson D9/423
4,919,326 A * 4/1990 Deiger 229/109
5,209,392 A * 5/1993 Anatro 229/117.01

5,358,173 A * 10/1994 Mertz 229/110
5,368,225 A * 11/1994 Ritter 229/110
D371,296 S * 7/1996 Correll D9/456
D390,110 S * 2/1998 Mario D9/433
5,881,948 A * 3/1999 Correll 229/123
D449,520 S * 10/2001 DiZoglio, III D9/423
D494,862 S * 8/2004 Sisinni D9/432

* cited by examiner

Primary Examiner—Stella Reid
Assistant Examiner—Mark A. Goodwin

(74) *Attorney, Agent, or Firm*—Middleton Reutlinger

(57) **CLAIM**

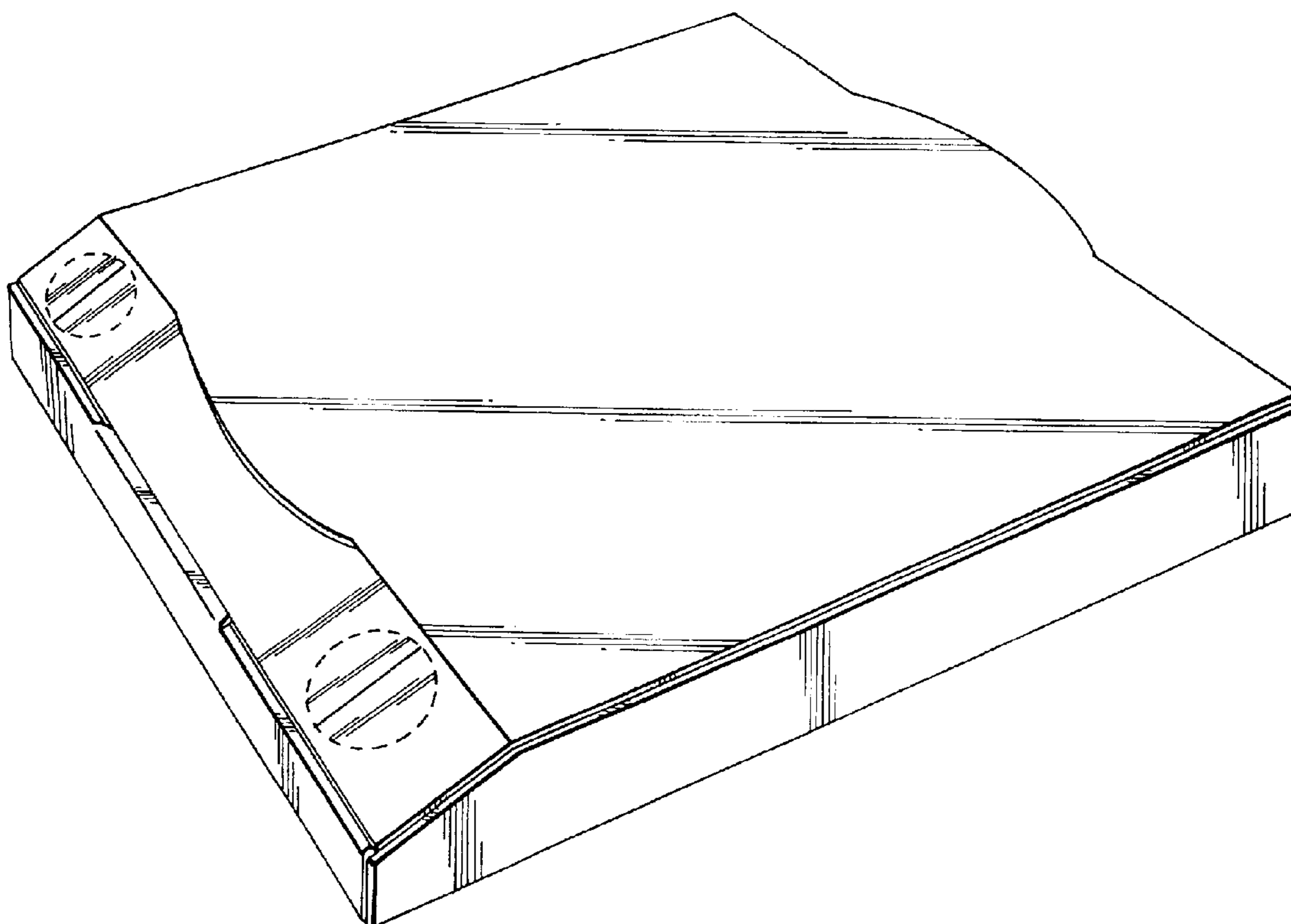
The ornamental design for a pizza box, as shown and described.

DESCRIPTION

FIG. 1 is a perspective view of a pizza box showing our design;
FIG. 2 is a top view thereof;
FIG. 3 is a left side elevational view thereof;
FIG. 4 is a right side elevational view thereof;
FIG. 5 is a front elevational view thereof;
FIG. 6 is a rear elevational view thereof; and,
FIG. 7 is a bottom view thereof.

The circular broken line shown in FIGS. 1, 2, and 5 represents a perforation.

1 Claim, 5 Drawing Sheets



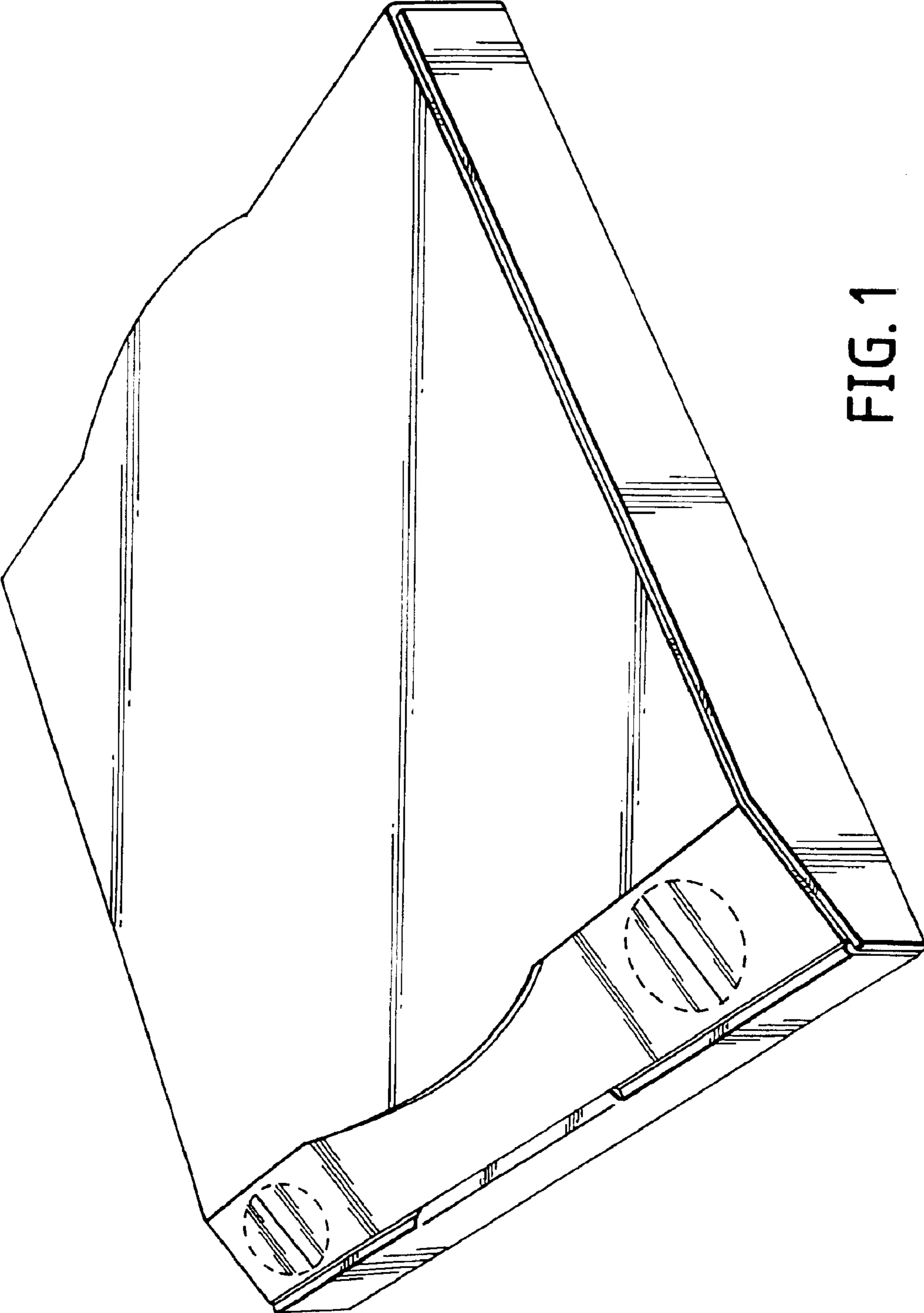


FIG. 1

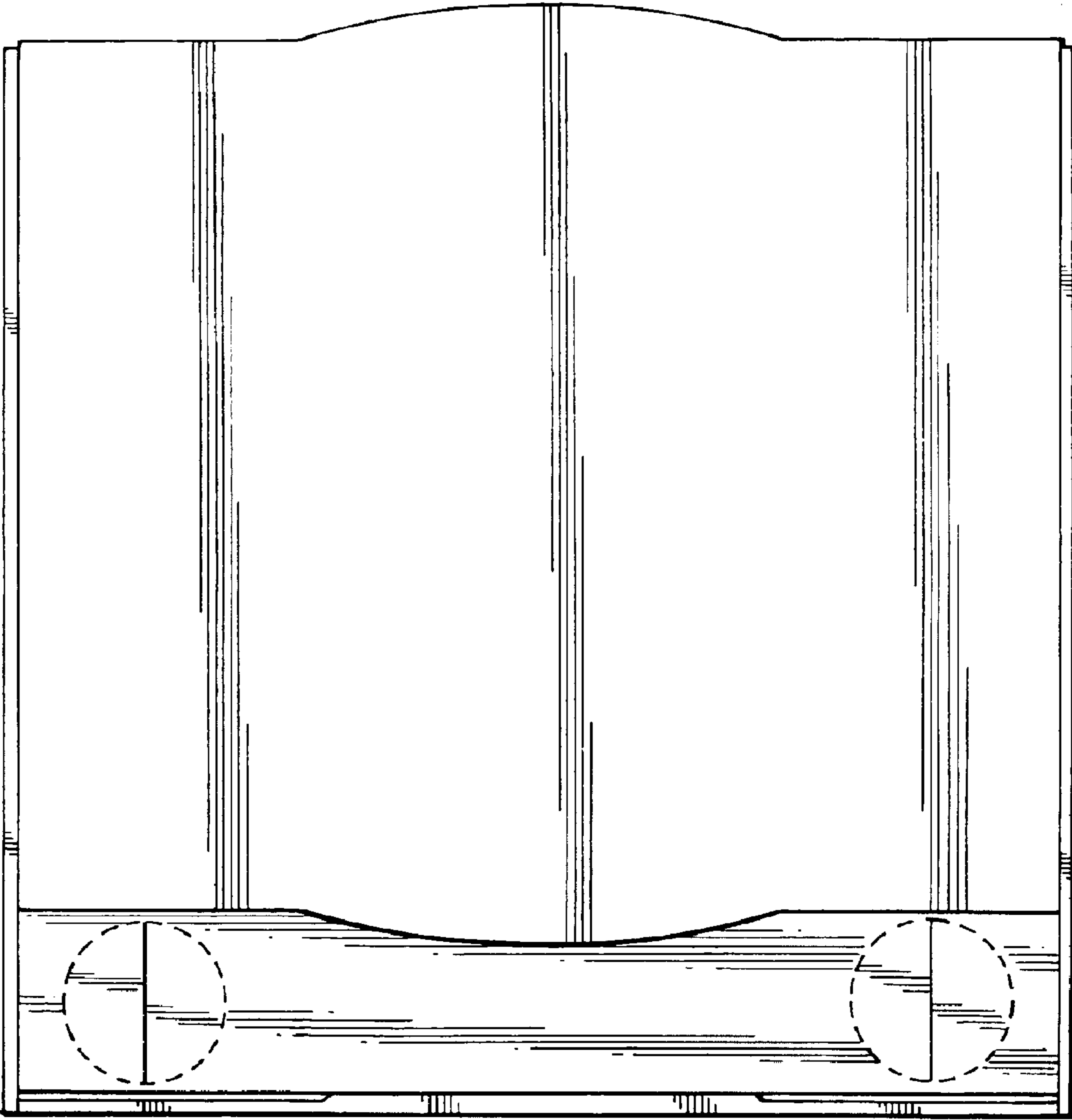


FIG. 2

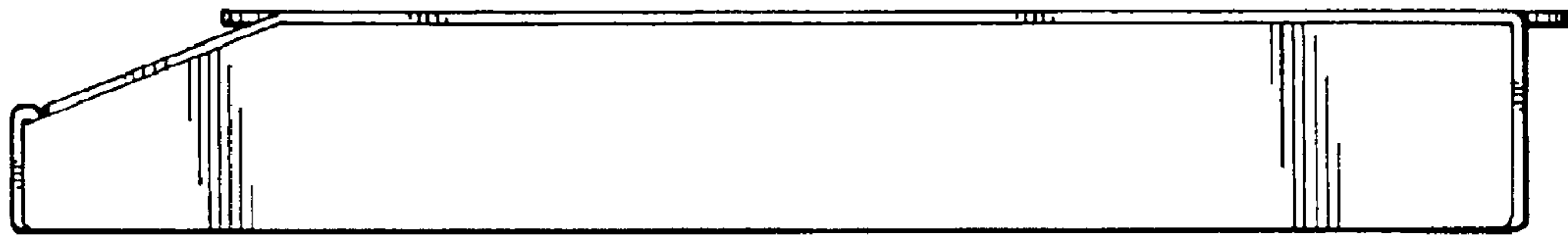


FIG. 3

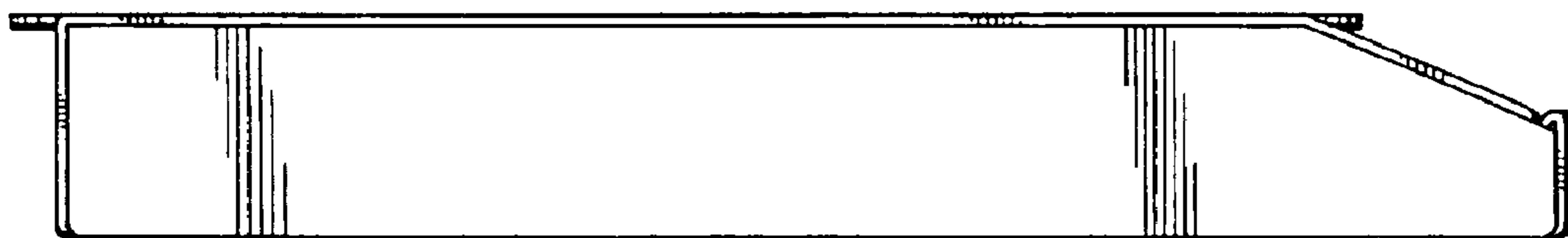


FIG. 4

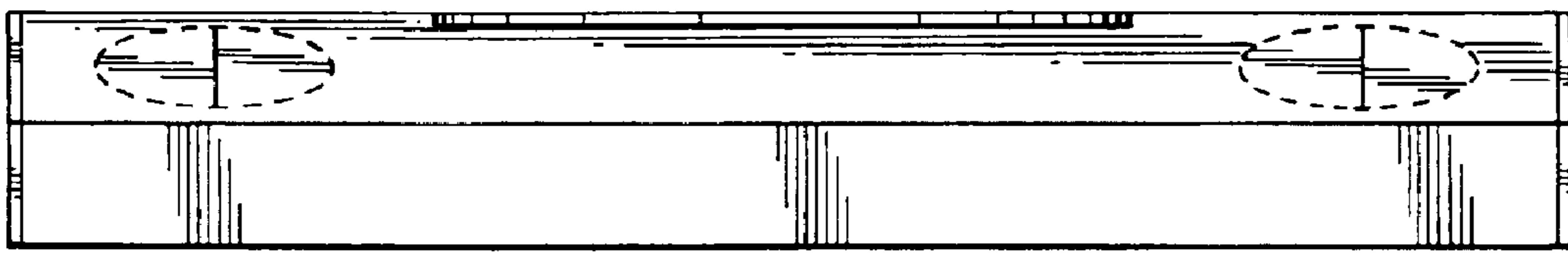


FIG. 5

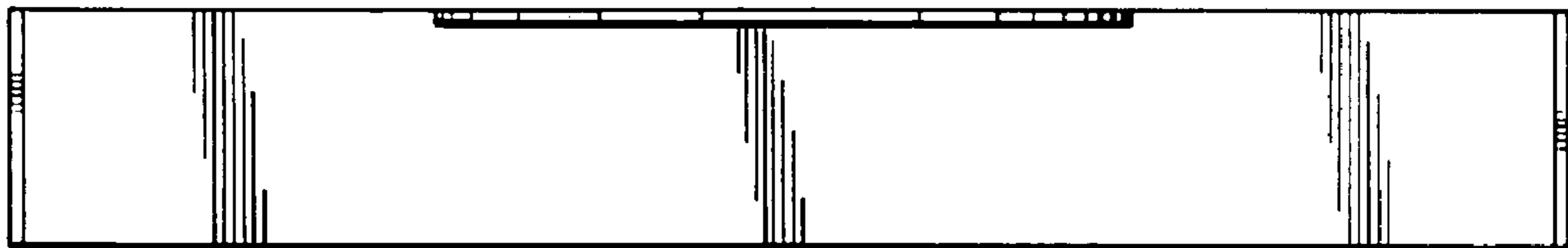


FIG. 6

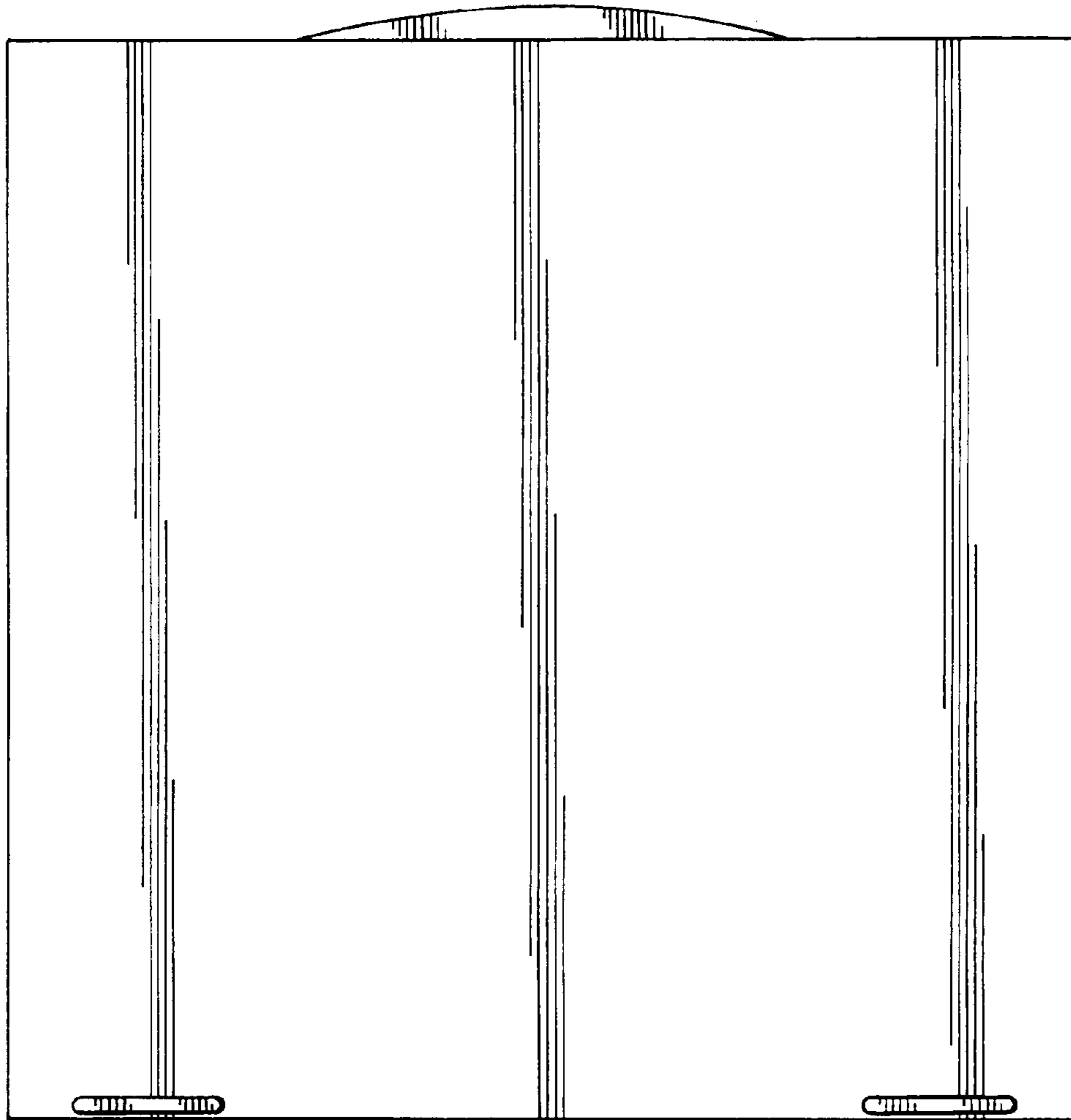


FIG. 7