

US00D506670S

(12) **United States Design Patent**
Borkoski

(10) **Patent No.:** **US D506,670 S**
(45) **Date of Patent:** **** Jun. 28, 2005**

(54) **BEVERAGE CONTAINER PACKAGE**

(75) **Inventor:** **John Borkoski, McCall, ID (US)**

(73) **Assignee:** **Moab Brewers, LLC, Park City, UT (US)**

(**) **Term:** **14 Years**

(21) **Appl. No.:** **29/208,201**

(22) **Filed:** **Nov. 11, 2003**

Related U.S. Application Data

(63) Continuation-in-part of application No. 29/175,395, filed on Feb. 3, 2005, now Pat. No. Des. 486,732.

(51) **LOC (8) Cl.** **09-03**

(52) **U.S. Cl.** **D9/430**

(58) **Field of Search** D9/430-433, 414-416, D9/420-424, 418; 206/216, 541, 525, 83.5; 229/221, 126, 122.28, 129.1, 224, 87.08, 125.25, 902-906, 938, 109

(56) **References Cited**

U.S. PATENT DOCUMENTS

2,019,787 A	*	11/1935	Leopold	229/108.1
D224,208 S		7/1972	Kuchar		
D238,624 S		2/1976	Mcarthur		
D266,487 S	*	10/1982	Mansau	D9/430
4,727,410 A	*	2/1988	Higgins, III	257/700
4,742,951 A	*	5/1988	Kelly et al.	229/109
D328,706 S		8/1992	Ruff		
D332,396 S		1/1993	Bell		
5,207,321 A		5/1993	Jones		
D351,345 S	*	10/1994	Geho	D9/430
5,485,914 A		1/1996	Martin		

D367,226 S		2/1996	Ransbottom		
D385,186 S		10/1997	Fildan		
5,971,263 A		10/1999	Mangano		
D429,429 S		8/2000	Murphy		
6,421,890 B1		7/2002	Biggar		
6,446,859 B1	*	9/2002	Holladay	229/109
D486,732 S	*	2/2004	Borkoski	D9/430
D495,247 S	*	8/2004	Keberlein	D9/418
D495,598 S	*	9/2004	Smith	D9/430

* cited by examiner

Primary Examiner—Stella Reid
Assistant Examiner—Mark A. Goodwin
(74) *Attorney, Agent, or Firm*—Thorpe North & Western, LLP

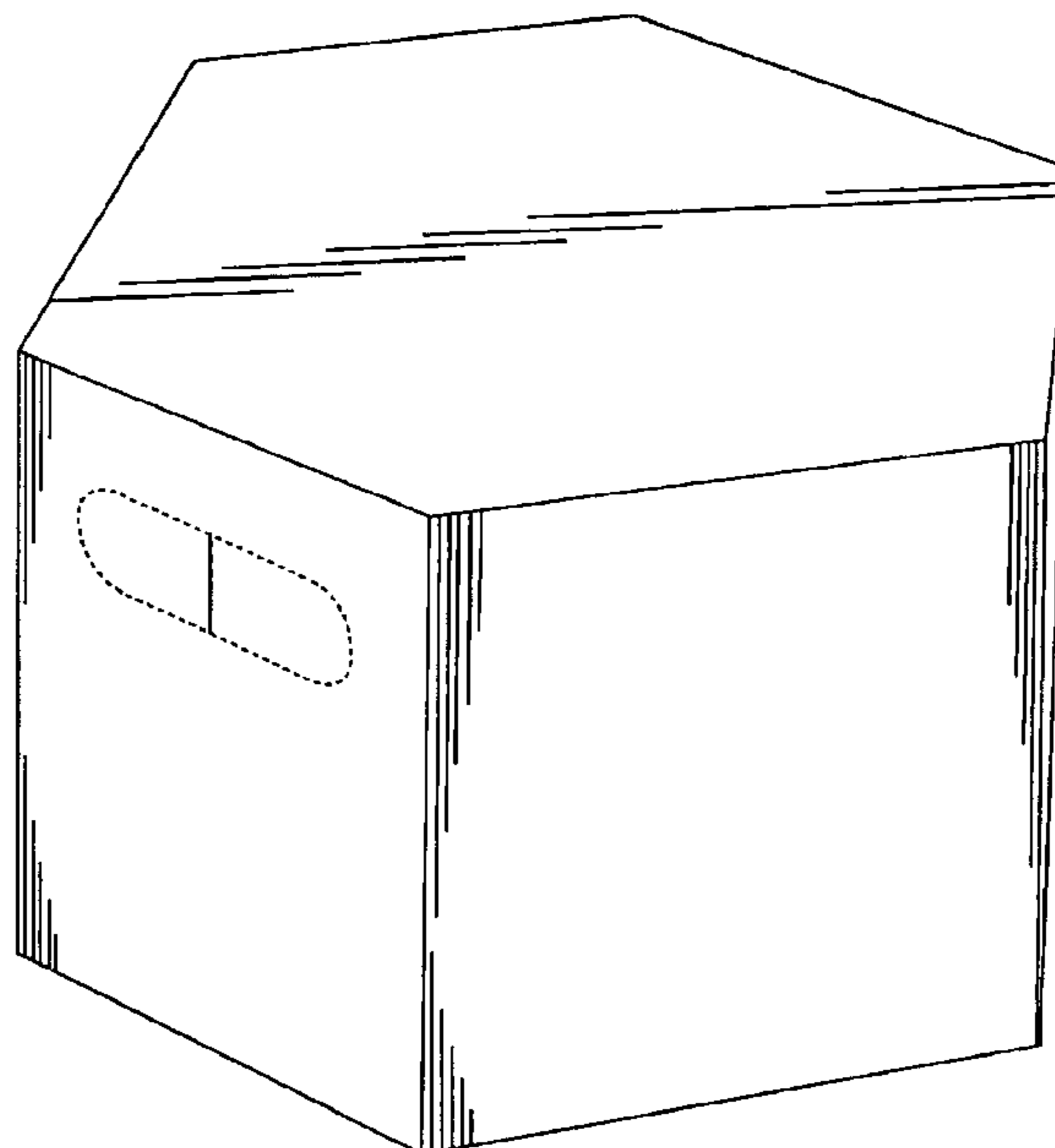
(57) **CLAIM**

The ornamental design for beverage container package, as shown and described.

DESCRIPTION

FIG. 1 is a front view of a beverage container package showing my new design.
FIG. 2 is a side view thereof;
FIG. 3 is a top view thereof;
FIG. 4 is a top side perspective view thereof; and,
FIG. 5 is a top side perspective view of an alternate embodiment of the beverage container package showing my new design, the only difference being the height of the package.
The back of the invention is a mirror image of the front, the second side is a mirror image of the first side, and the button is a mirror image of the top.
The broken line showing is for illustrative purposes only and form no part of the claimed design.

1 Claim, 5 Drawing Sheets



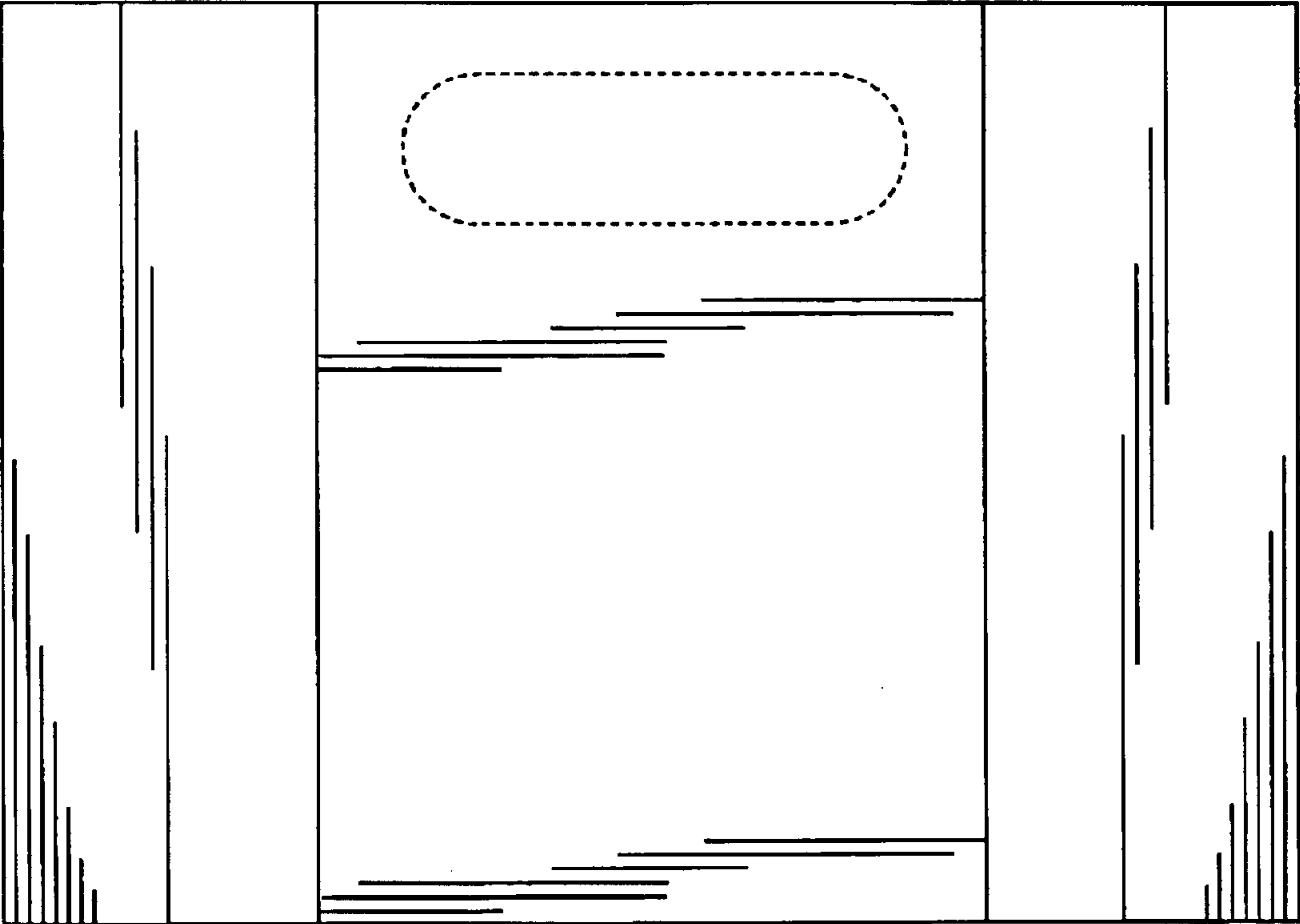


Figure 1

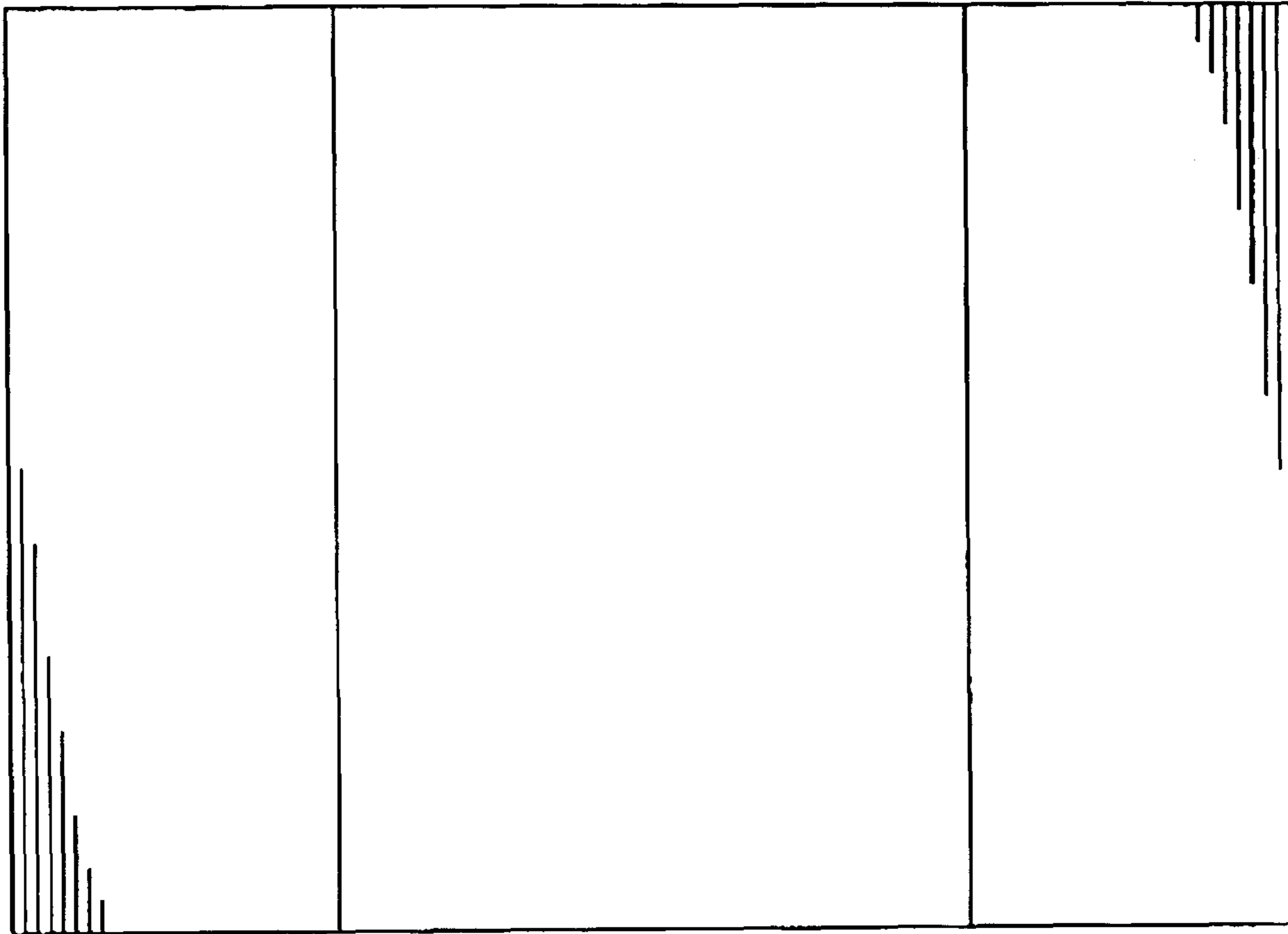


Figure 2

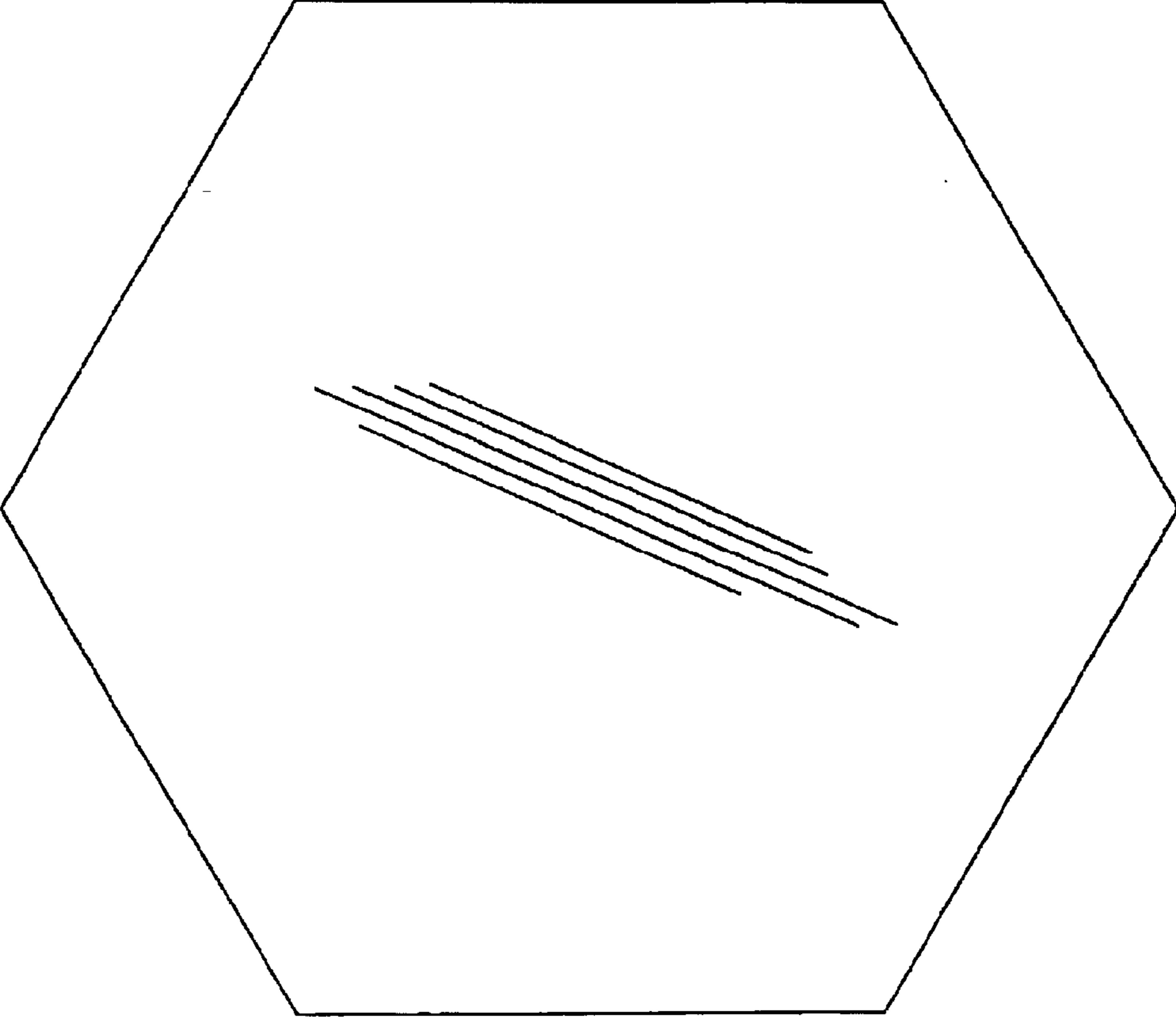


Figure 3

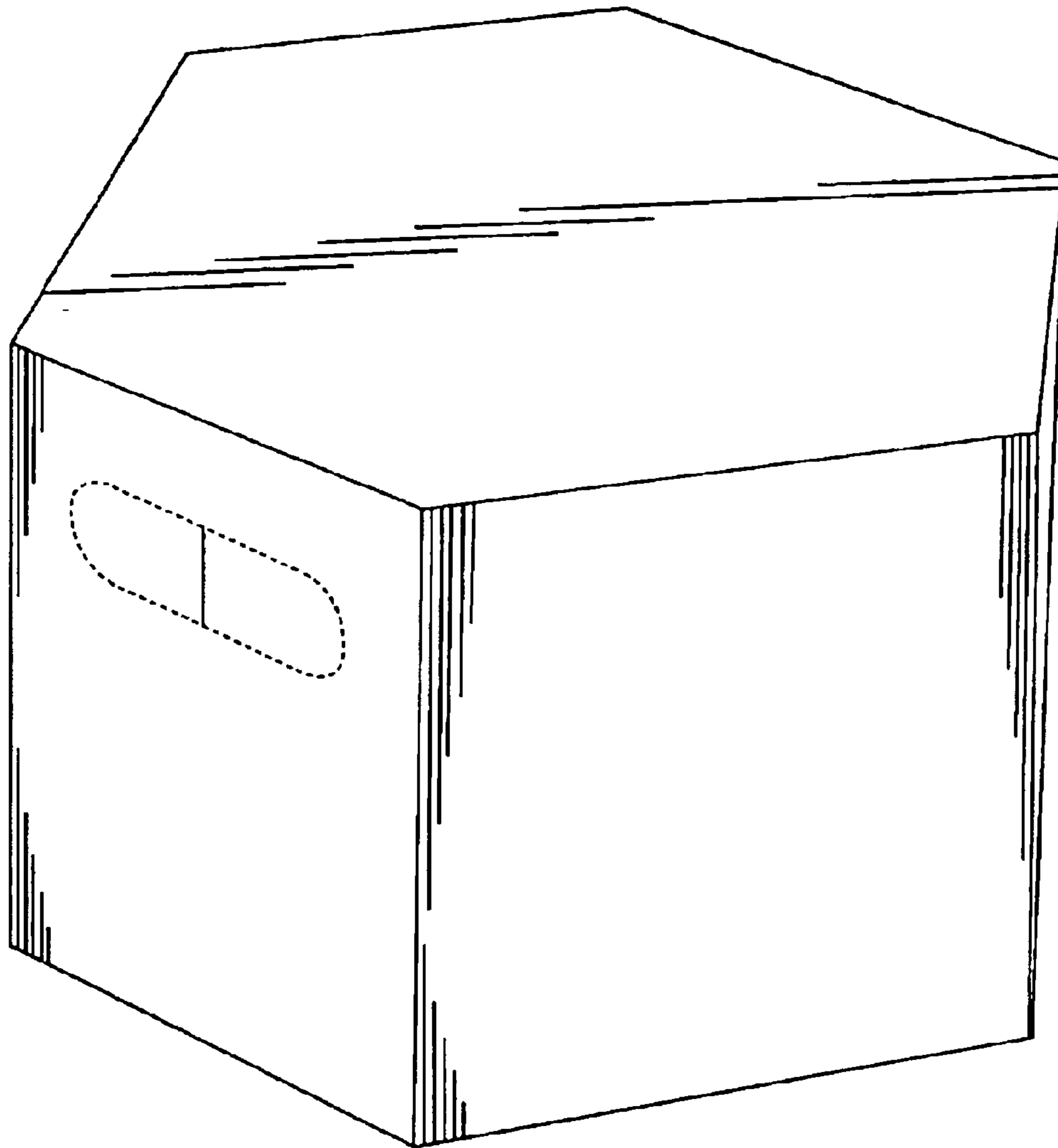


Figure 4

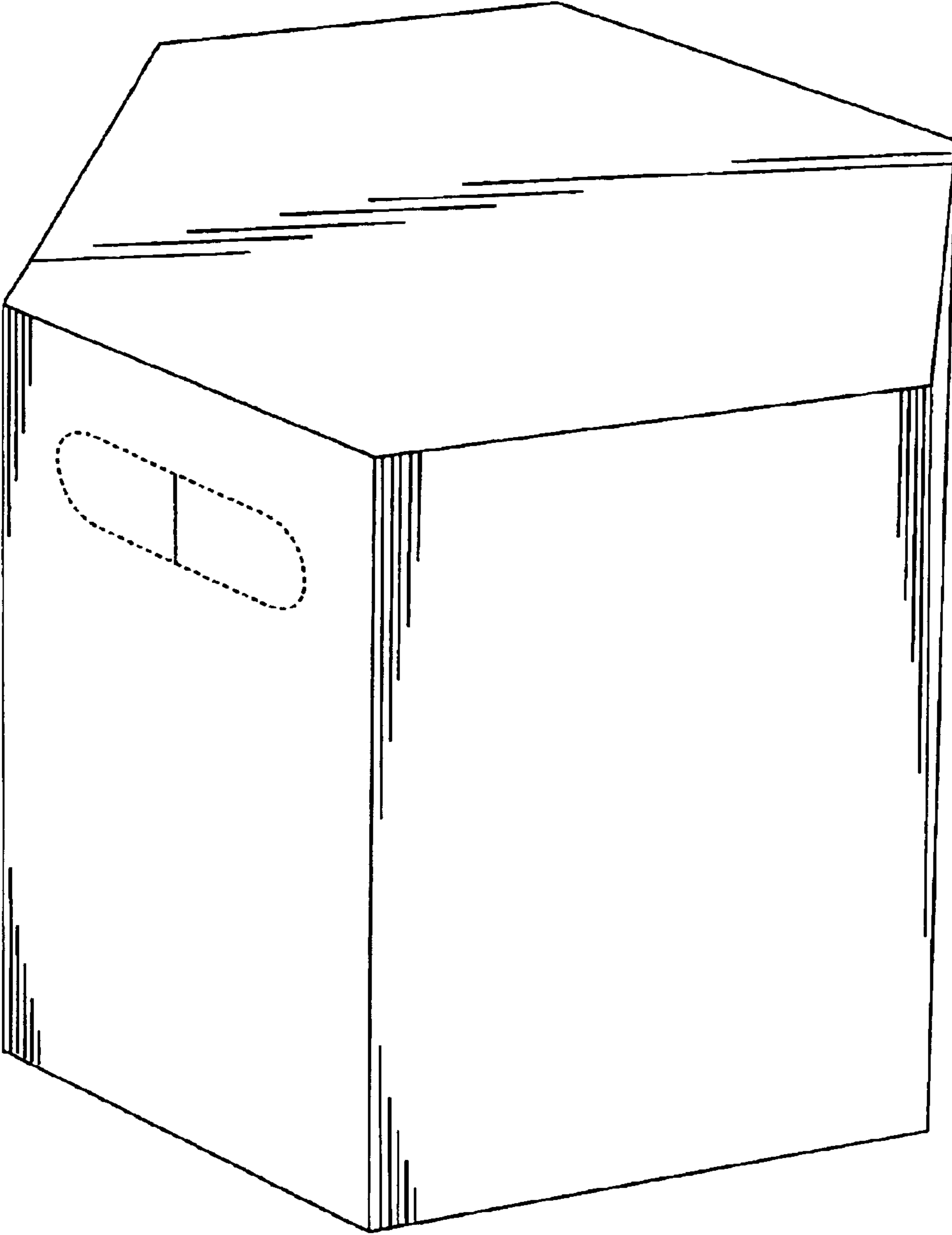


Figure 5