

US00D506668S

(12) **United States Design Patent** (10) **Patent No.:** **US D506,668 S**
Black (45) **Date of Patent:** **** Jun. 28, 2005**

(54) **PILE GLIDE**

(76) Inventor: **Larry Neal Black**, 506 N. Leavitt Ct.,
Charleston, SC (US) 29492

(**) Term: **14 Years**

(21) Appl. No.: **29/198,417**

(22) Filed: **Jan. 29, 2004**

(51) **LOC (8) Cl.** **08-05**

(52) **U.S. Cl.** **D8/354**

(58) **Field of Search** D8/354, 356, 349,
D8/355, 382, 385, 386, 388; 405/227, 232;
24/297, 305; 81/452, 434; 211/86.01; 411/508,
913, 970, 908, 182

(56) **References Cited**

U.S. PATENT DOCUMENTS

4,842,446	A	*	6/1989	Carruba	405/227
4,932,811	A	*	6/1990	Folding	405/227
4,966,496	A	*	10/1990	Stelzer, Jr.	405/227
5,051,036	A	*	9/1991	Gomez De Rosas et al.	405/ 227
5,167,047	A	*	12/1992	Plumley	D8/356
5,558,469	A	*	9/1996	Hellerman	405/232
6,354,767	B1	*	3/2002	Jones	405/232

OTHER PUBLICATIONS

Anchorage Specification Sheet.
U.S. Appl. No. 10/368,292, filed Feb. 17, 2003, entitled
"Dock Stabilizer".

* cited by examiner

Primary Examiner—Ruth McInroy

Assistant Examiner—Terrence Huang

(74) *Attorney, Agent, or Firm*—Dority & Manning, P.A.

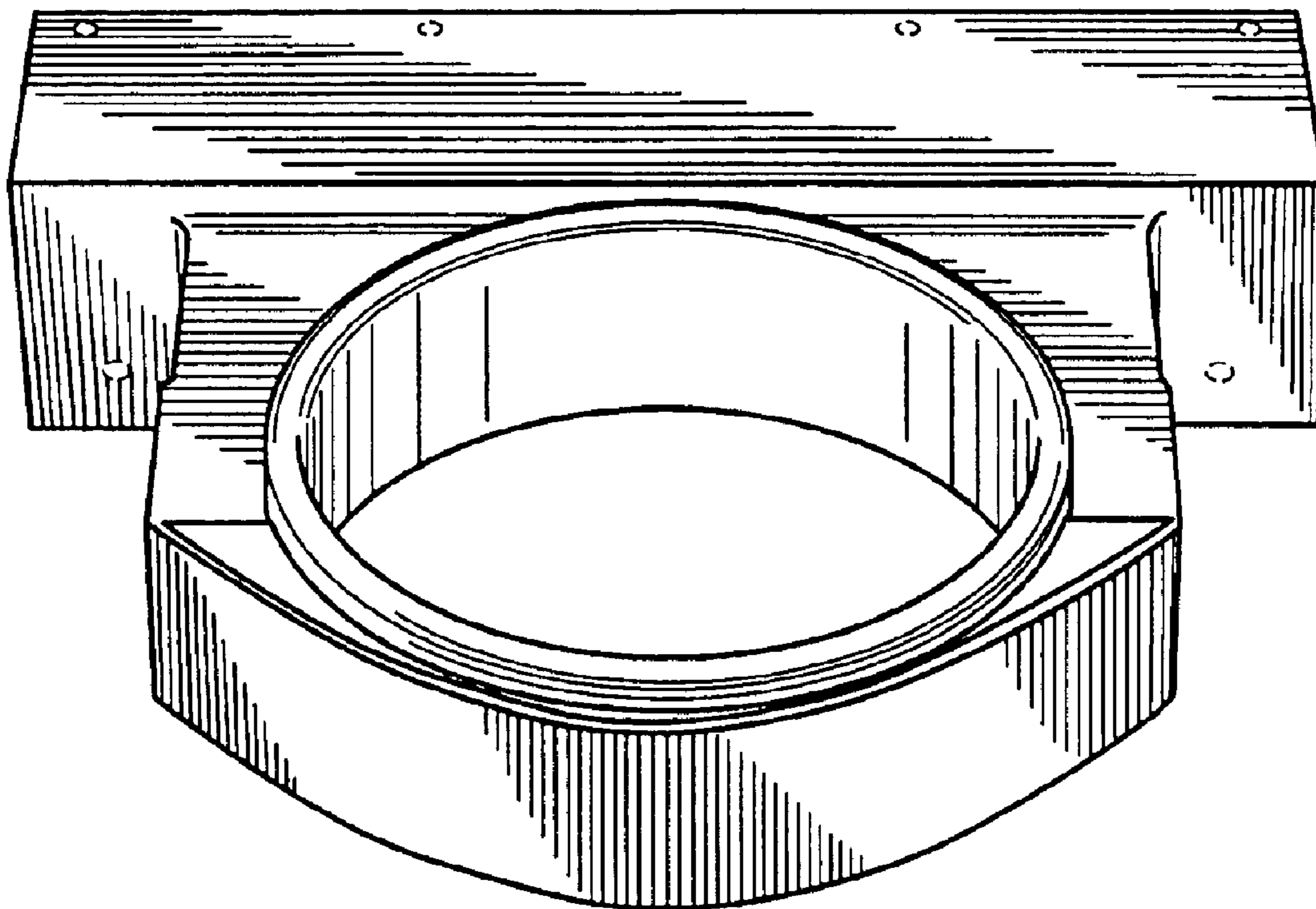
(57) **CLAIM**

The ornamental design for a pile glide, as shown and
described.

DESCRIPTION

FIG. 1 is a perspective view of a pile glide from the top and
front according to the present design;
FIG. 2 is a perspective view thereof from the top and rear;
FIG. 3 is a top plan view thereof;
FIG. 4 is a front view thereof;
FIG. 5 is a rear view thereof;
FIG. 6 is a bottom plan view thereof;
FIG. 7 is a right side view thereof; and,
FIG. 8 is a left side view thereof.
Elements shown in dashed lines are not part of the claimed
subject matter.

1 Claim, 3 Drawing Sheets



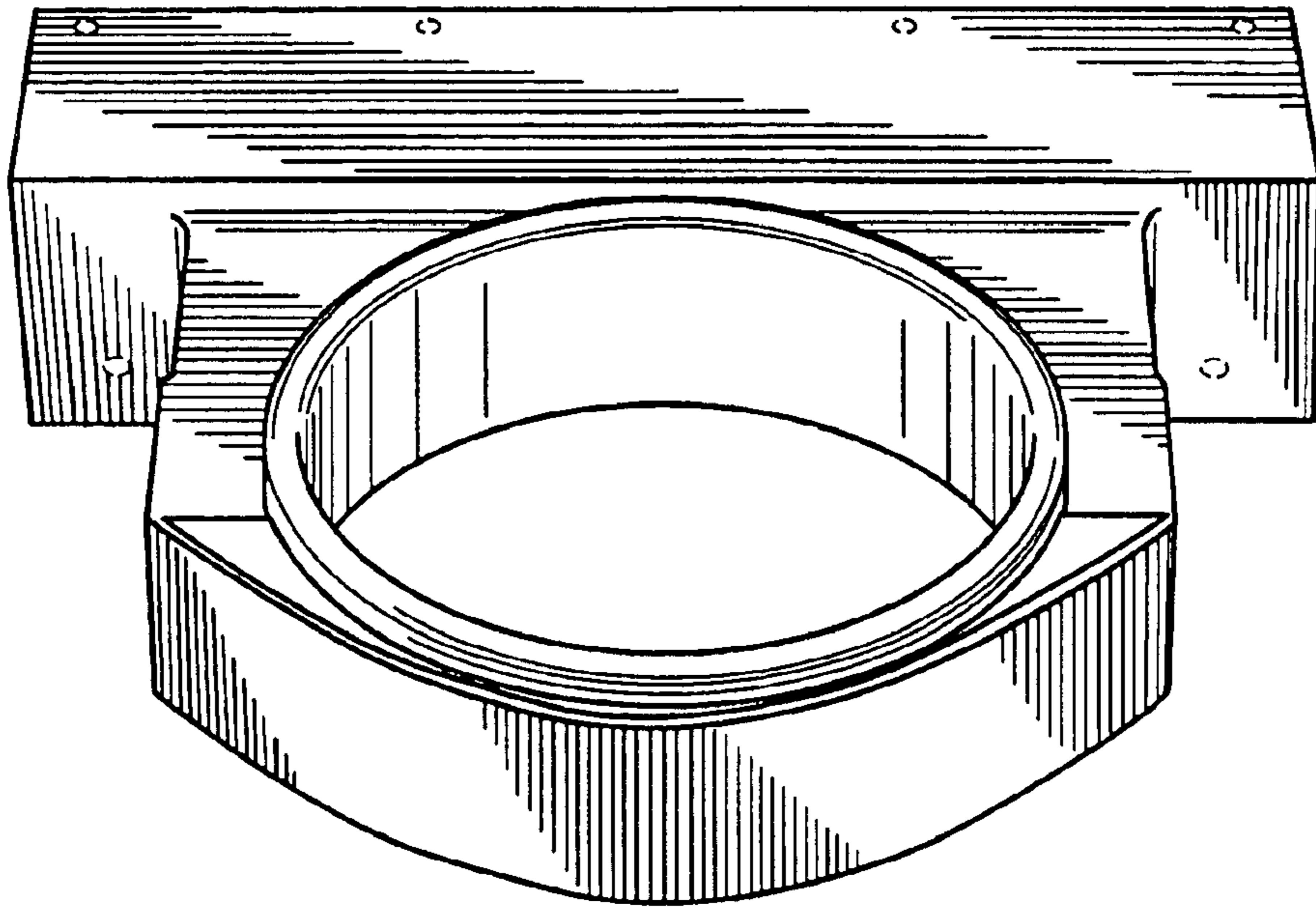


Fig. 1

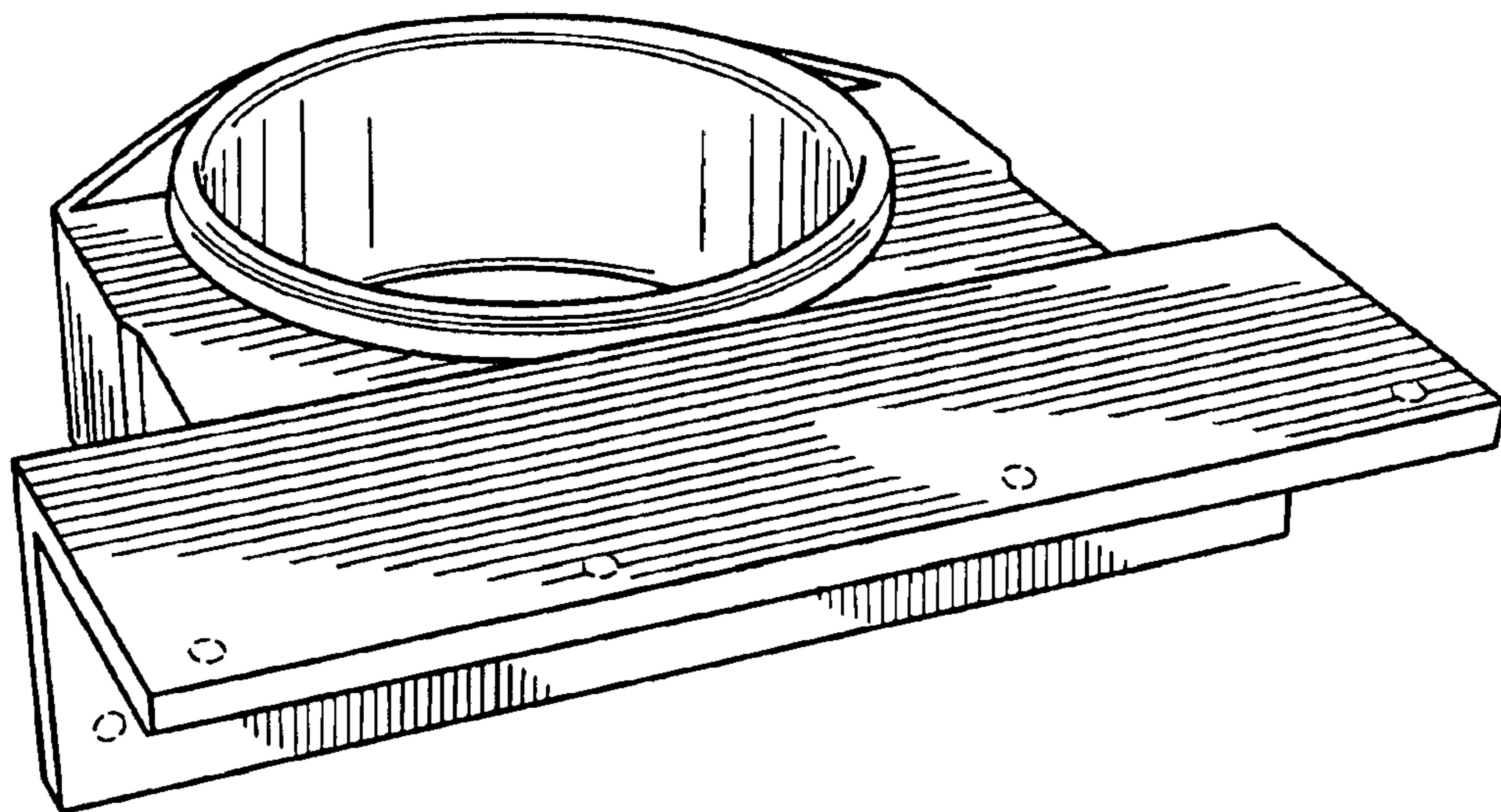


Fig. 2

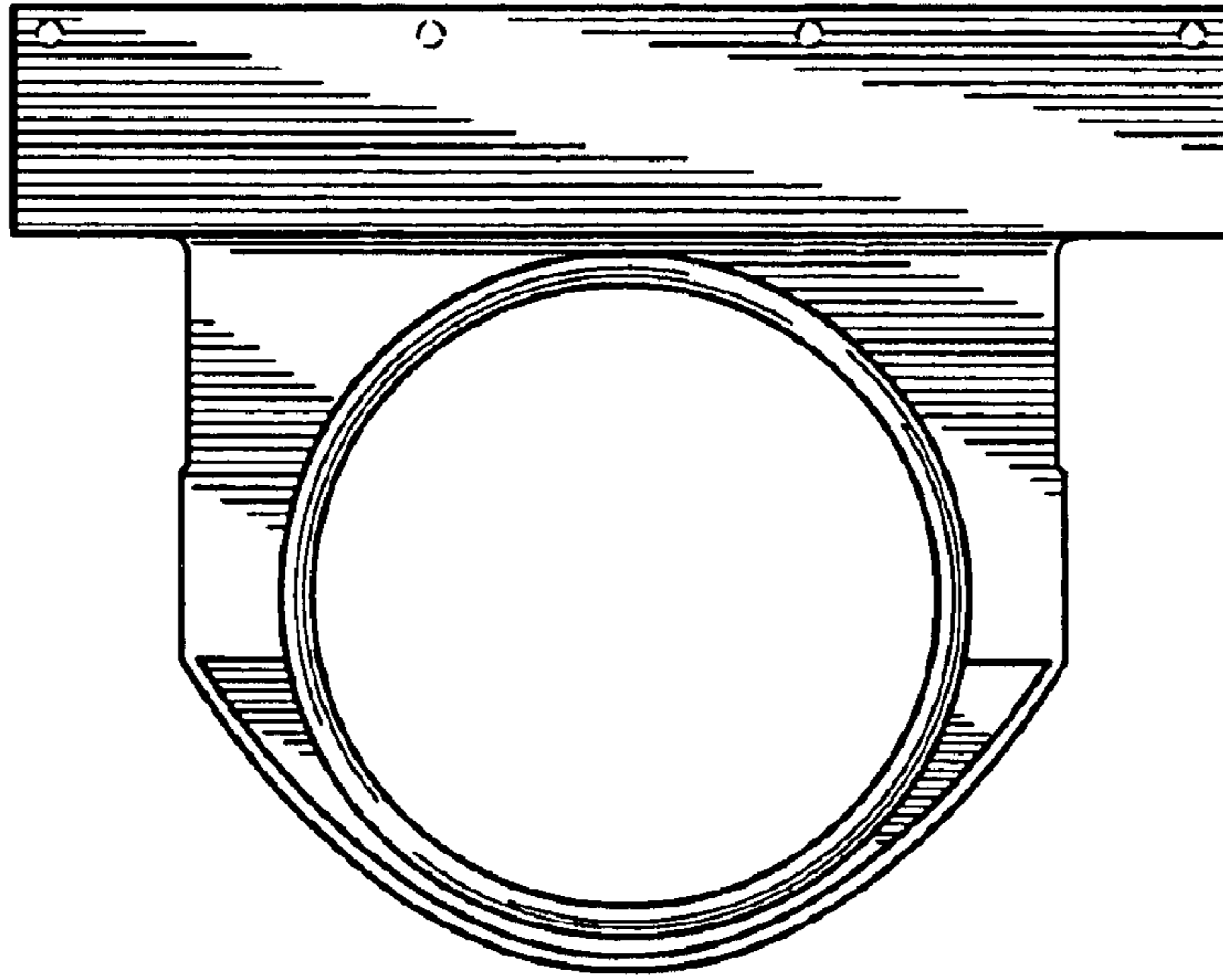


Fig. 3



Fig. 4

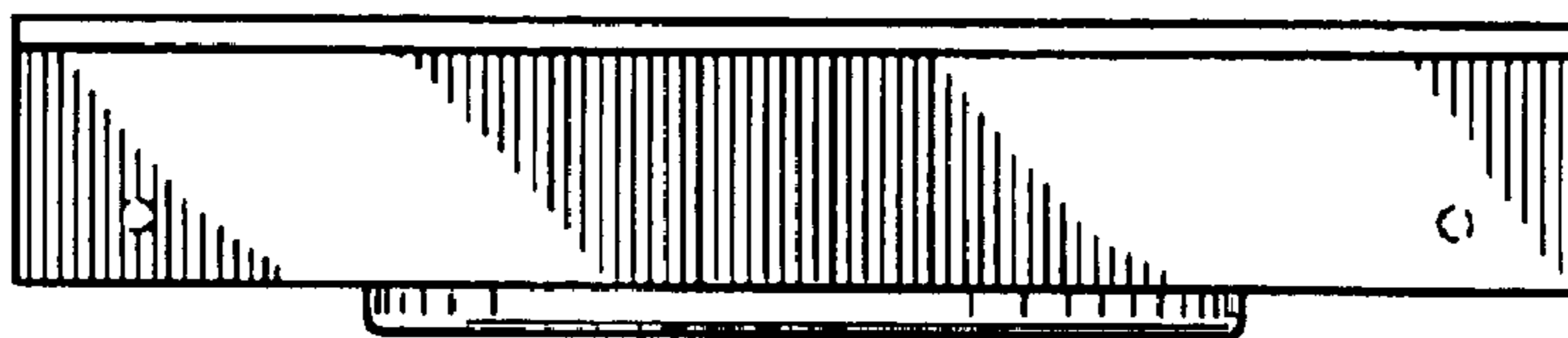


Fig. 5

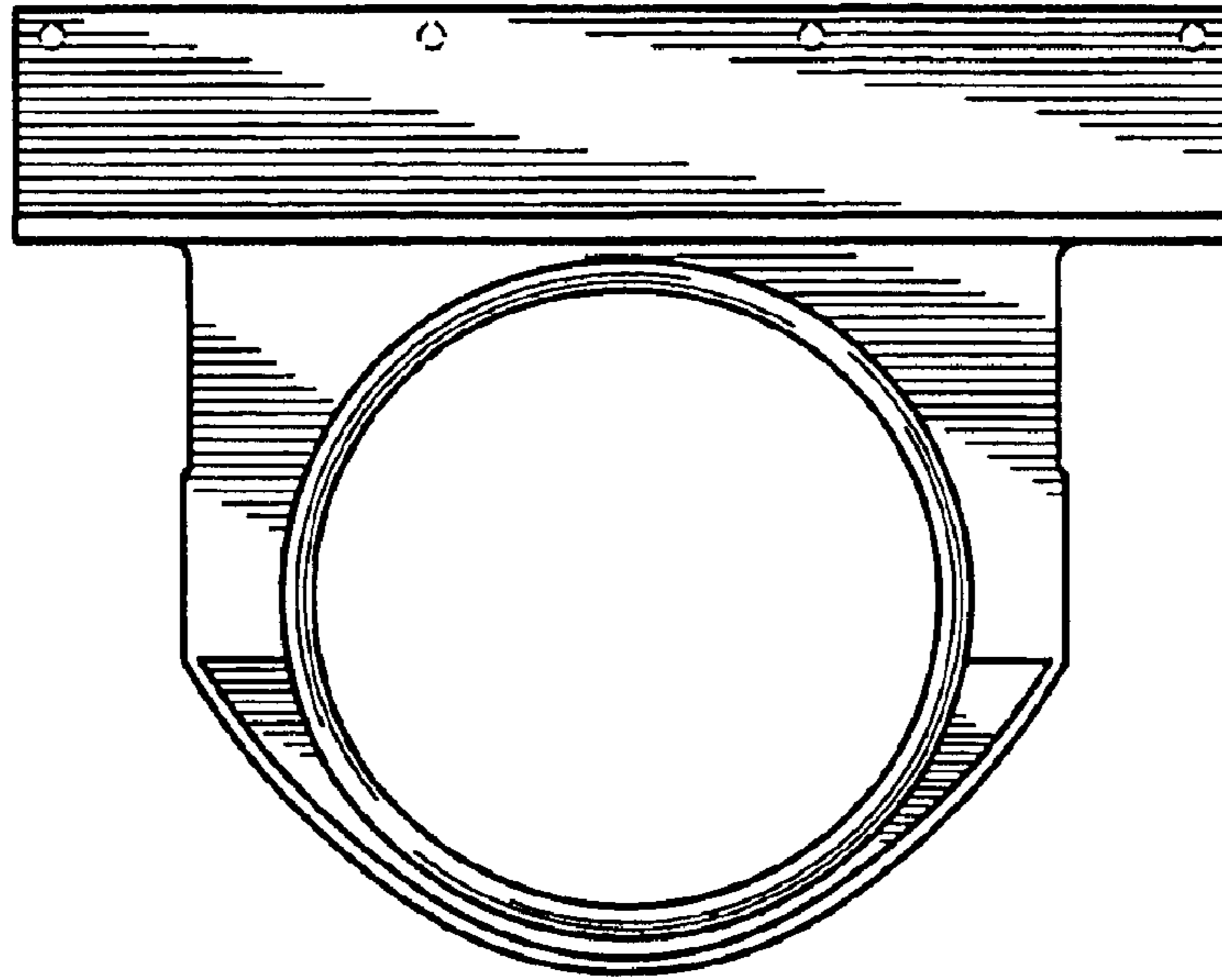


Fig. 6

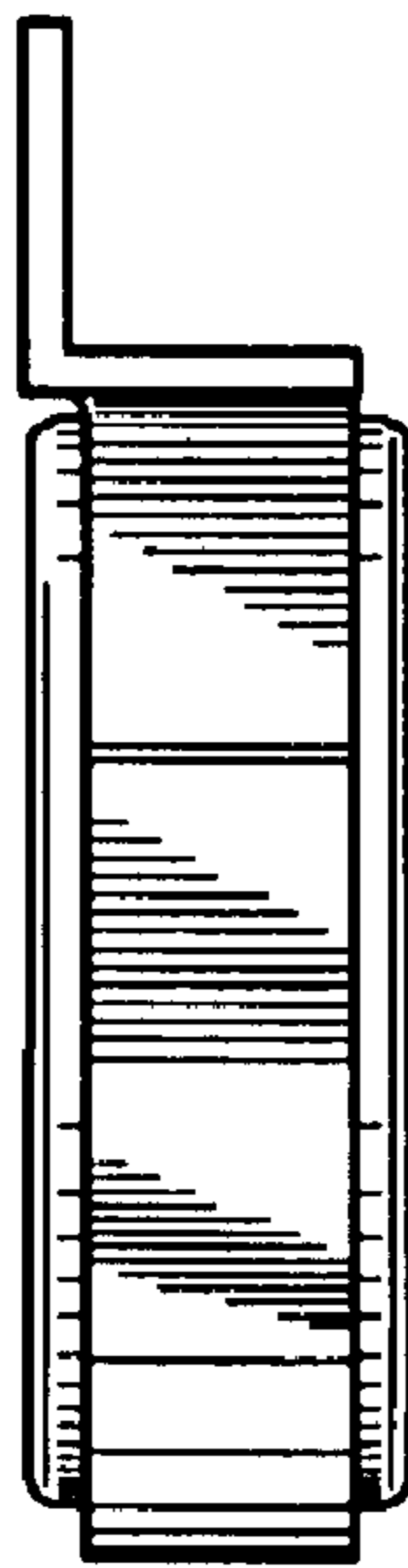


Fig. 7

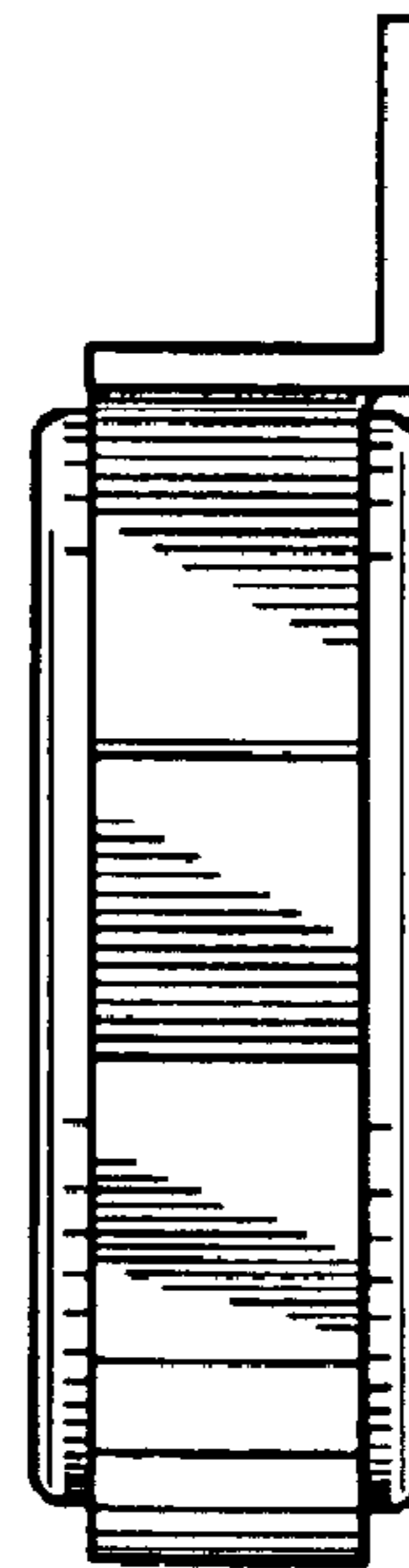


Fig. 8