

US00D506667S

(12) **United States Design Patent** (10) **Patent No.:** **US D506,667 S**  
**Welch** (45) **Date of Patent:** **\*\* Jun. 28, 2005**

(54) **LOCK**  
(75) Inventor: **James Welch**, Waukesha, WI (US)  
(73) Assignee: **Master Lock Company**, Oak Creek, WI (US)  
(\*\*) Term: **14 Years**  
(21) Appl. No.: **29/213,426**  
(22) Filed: **Sep. 17, 2004**

D418,392 S 1/2000 Kelley  
D419,305 S 1/2000 Porter et al.  
6,041,918 A 3/2000 Moore  
D425,706 S 5/2000 Calderone  
D430,998 S 9/2000 Chelaru  
D431,446 S 10/2000 Chelaru  
D434,300 S \* 11/2000 Chelaru ..... D8/335  
D445,666 S 7/2001 Gable  
D449,406 S 10/2001 Angeletta  
D453,675 S 2/2002 Liu  
D486,722 S \* 2/2004 Fonfeder ..... D8/335  
D920,692 2/2004 Towne  
D488,049 S \* 4/2004 Fonfeder ..... D8/335  
D488,050 S 4/2004 Fonfeder  
D488,051 S \* 4/2004 Fonfeder ..... D8/335

**Related U.S. Application Data**

(63) Continuation of application No. 29/183,582, filed on Jun. 13, 2003.  
(51) **LOC (8) Cl.** ..... **08-07**  
(52) **U.S. Cl.** ..... **D8/334; D8/343**  
(58) **Field of Search** ..... D8/300, 301, 310, D8/312, 330-335, 343, 346; 70/19-25, 35, 51, 158, 160, 272, 286, 291, 294, 435, 437-446, DIG. 2, 16, 43-45; 220/4.21, 4.25, 560, 560.09; 206/303, 530, 529

**OTHER PUBLICATIONS**

McGraw-Edison Locks, Catalog L-2122, p. 4, No. 52 Combination Lock.\*  
Master Locks Catalog, May 1993, p. 16, Institutional Combination Locks.\*

\* cited by examiner

*Primary Examiner*—Prabhakar Deshmukh  
(74) *Attorney, Agent, or Firm*—Calfee, Halter & Griswold, LLP

(56) **References Cited**

**U.S. PATENT DOCUMENTS**

D870,890 11/1907 Krause  
1,383,290 A 7/1921 Cressey  
1,800,990 A 4/1931 Forrest  
1,882,794 A \* 10/1932 Full ..... 70/25  
D144,685 S \* 5/1946 Bouhall ..... D8/334  
D196,679 S 10/1963 Schaffer  
3,472,049 A \* 10/1969 Sewell ..... 70/21  
3,624,939 A 5/1970 Gossard  
4,055,972 A \* 11/1977 Calegan ..... 70/21  
4,339,062 A 7/1982 Witt, Jr.  
4,404,823 A \* 9/1983 Miller et al. .... 70/333 A  
D276,408 S \* 11/1984 Zabel et al. .... D8/334  
4,534,467 A \* 8/1985 Rathbun ..... 206/530  
D308,320 S 6/1990 Raucci  
5,318,251 A \* 6/1994 Bergh ..... 244/121  
5,908,265 A \* 6/1999 Mostkoff ..... 405/29

(57) **CLAIM**

The ornamental design for a lock, as shown and described.

**DESCRIPTION**

FIG. 1 is a perspective view of the design of the present invention;  
FIG. 2 is a top view of the lock shown in FIG. 1;  
FIG. 3 is a bottom view of the lock shown in FIG. 1;  
FIG. 4 is a left side view of the lock shown in FIG. 1;  
FIG. 5 is a front view of the lock shown in FIG. 1;  
FIG. 6 is a right view of the lock shown in FIG. 1; and,  
FIG. 7 is a back view of the lock shown in FIG. 1.  
The portions of the Figures shown in phantom lines are not part of the claimed design but are for illustration only.

**1 Claim, 2 Drawing Sheets**

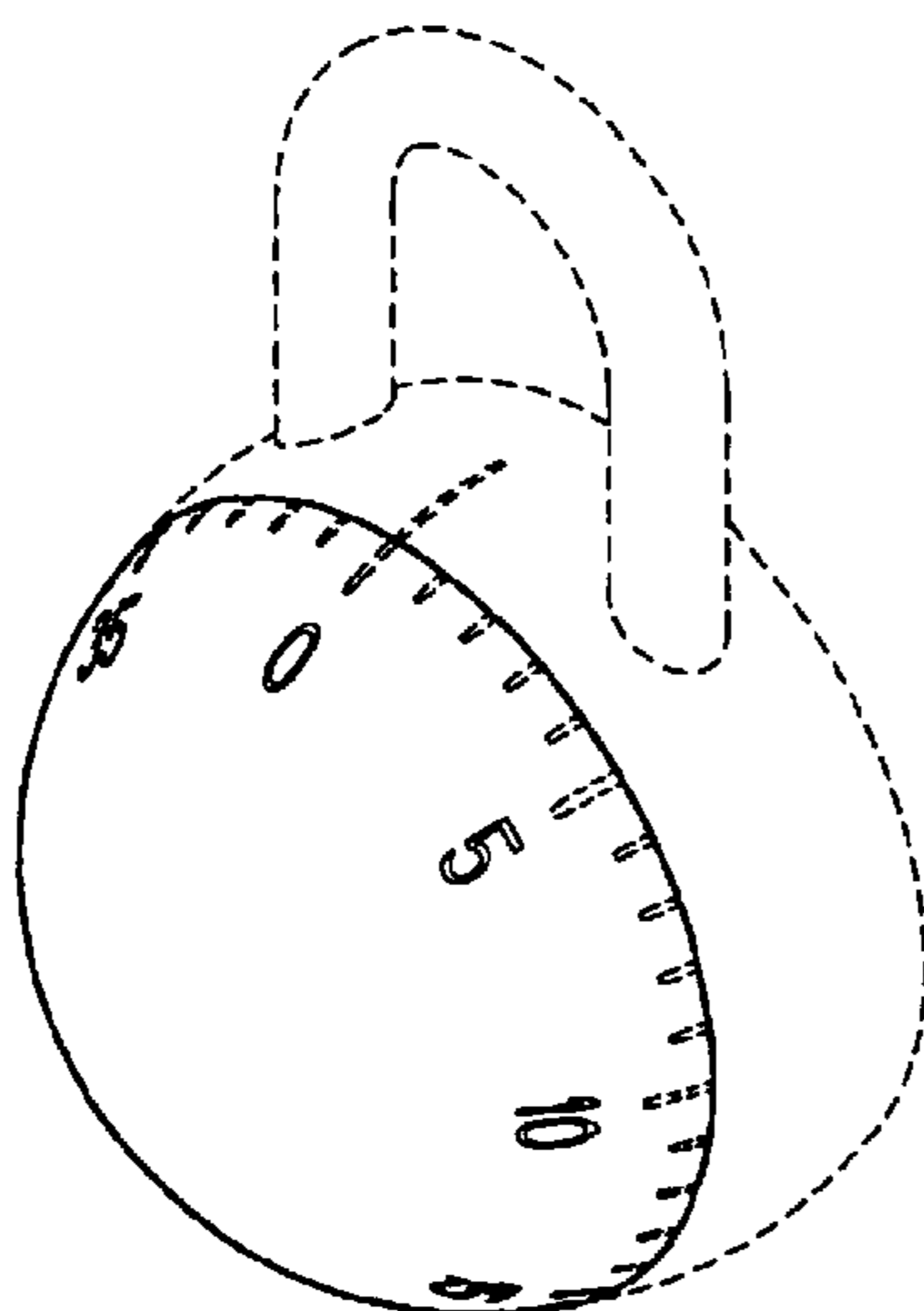


FIG. 1

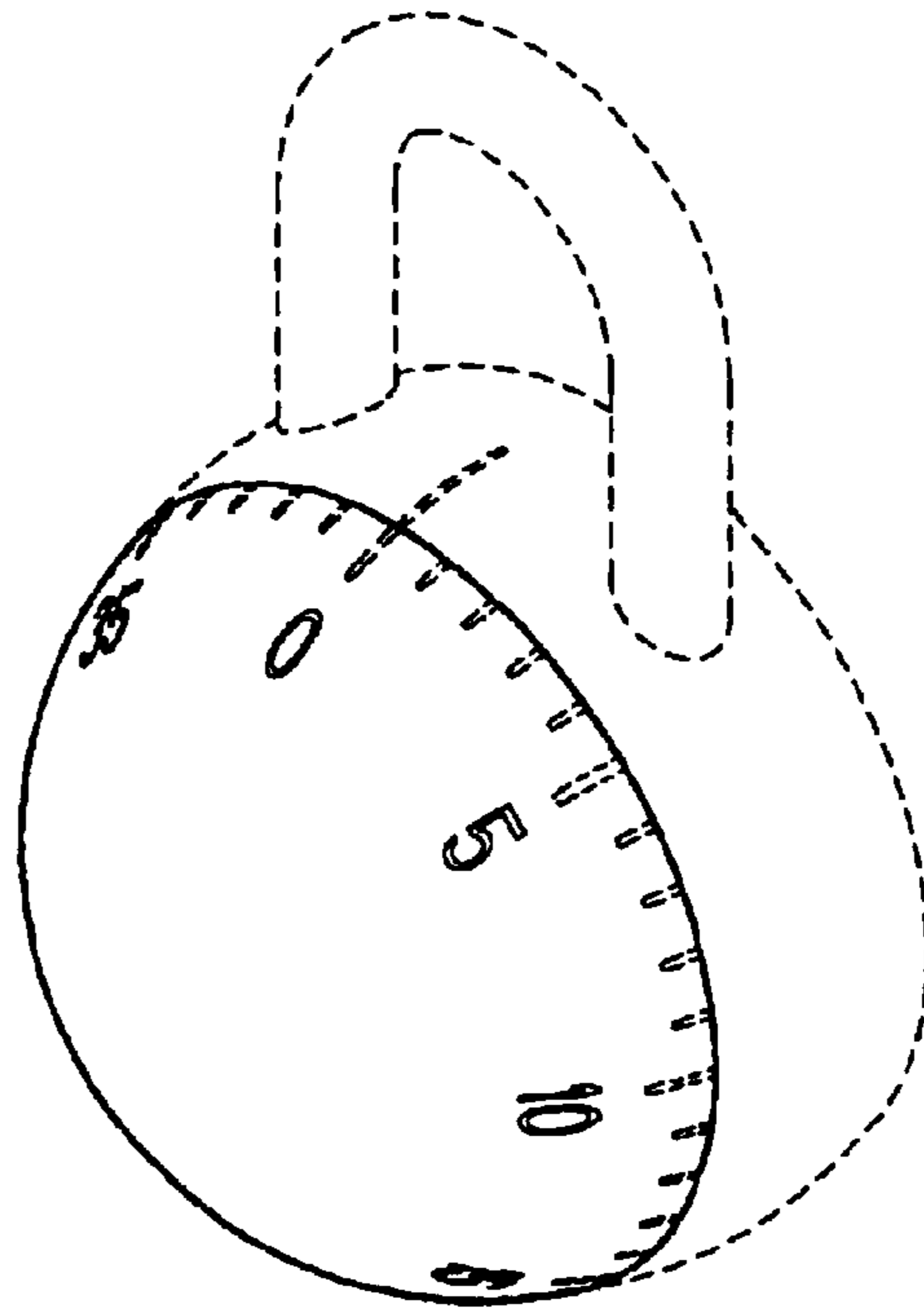


FIG. 2

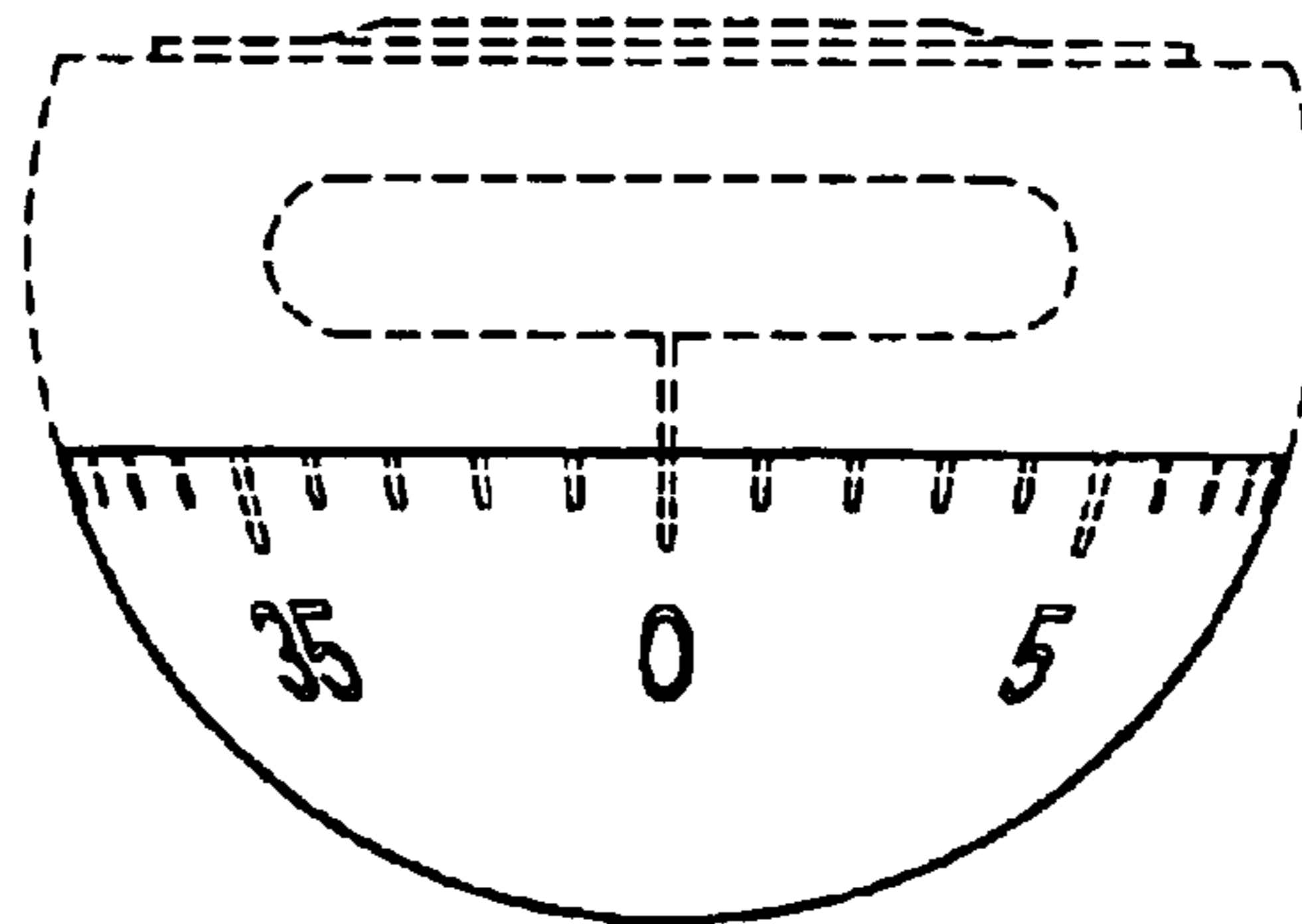
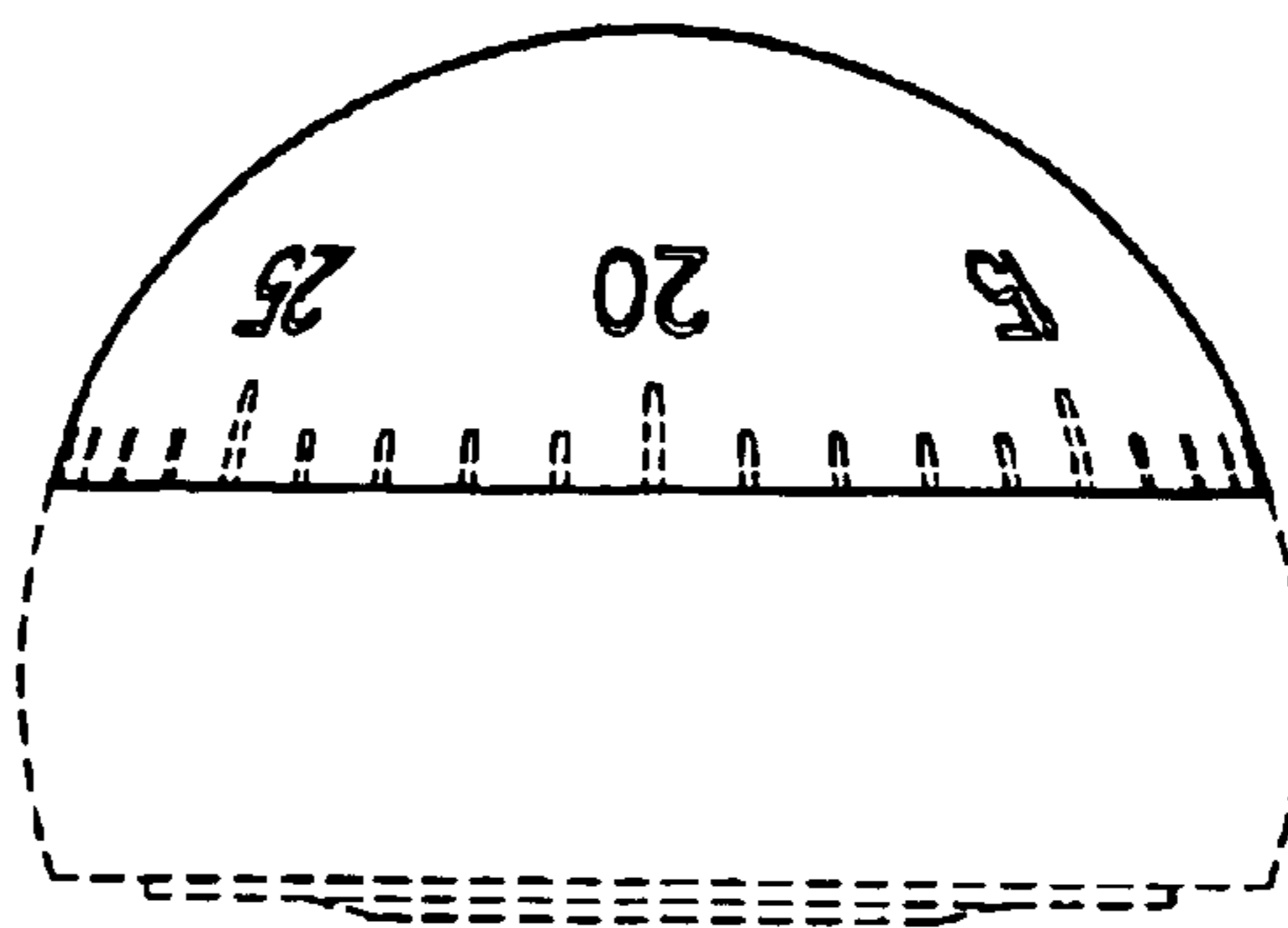


FIG. 3



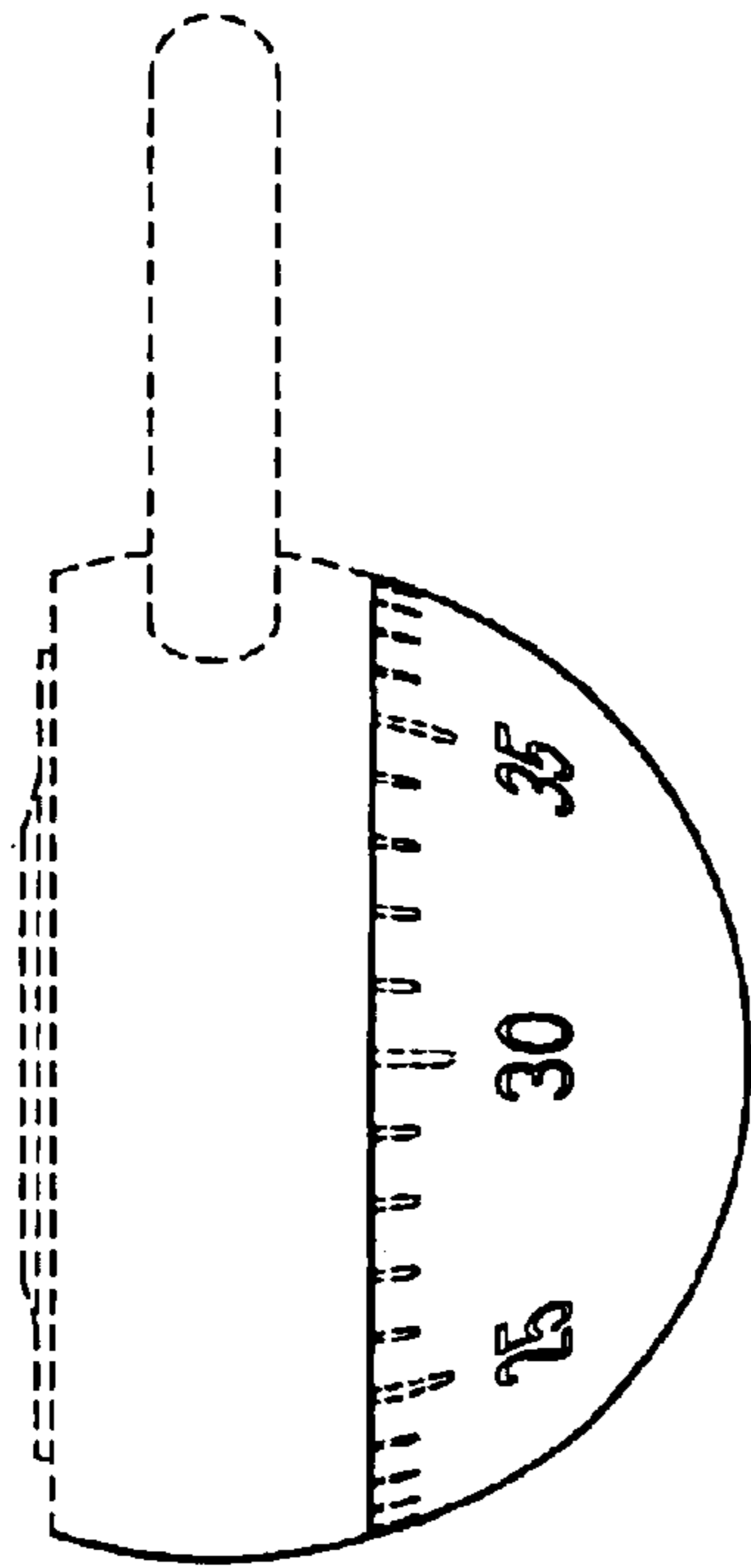


FIG. 4

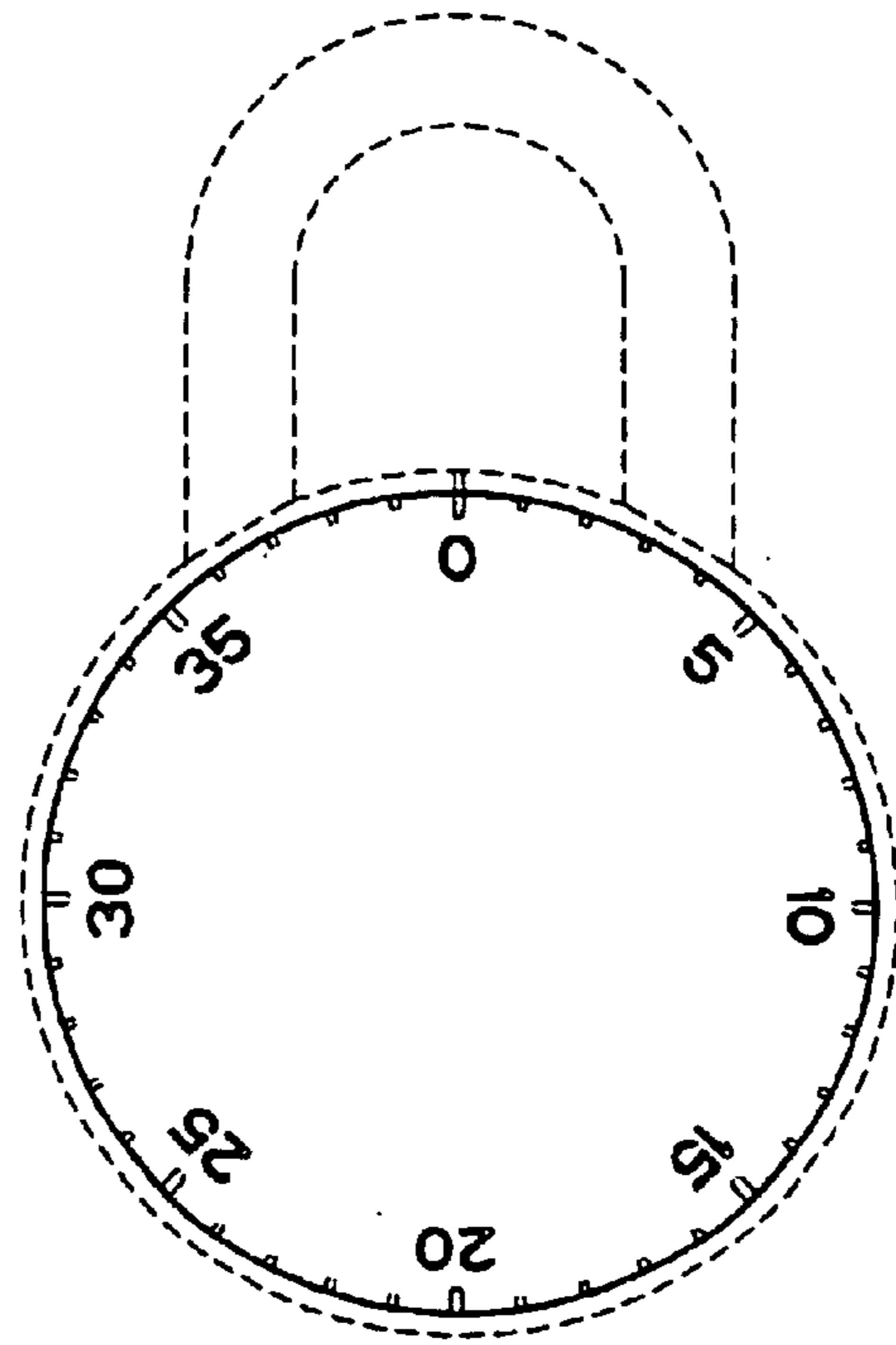


FIG. 5

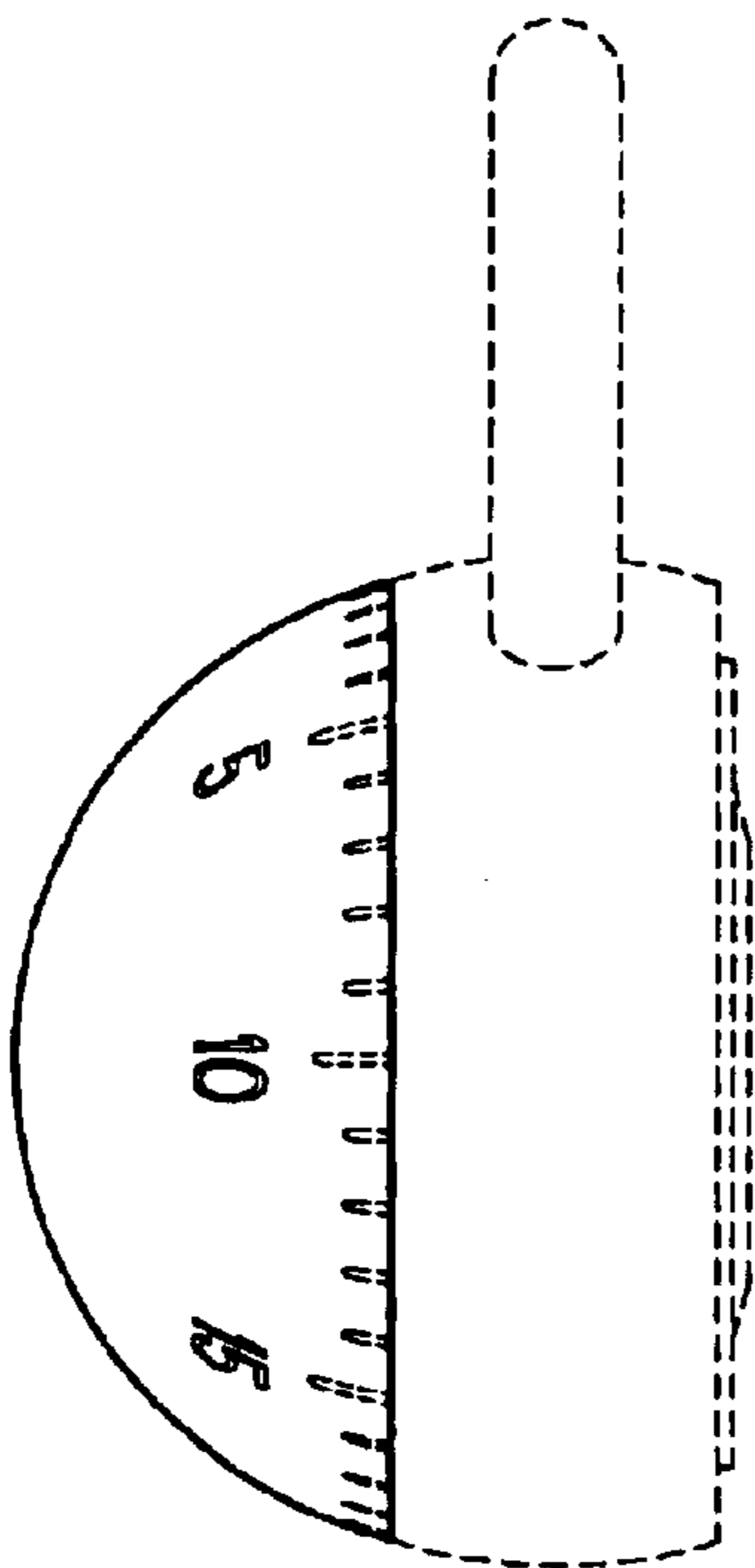


FIG. 6

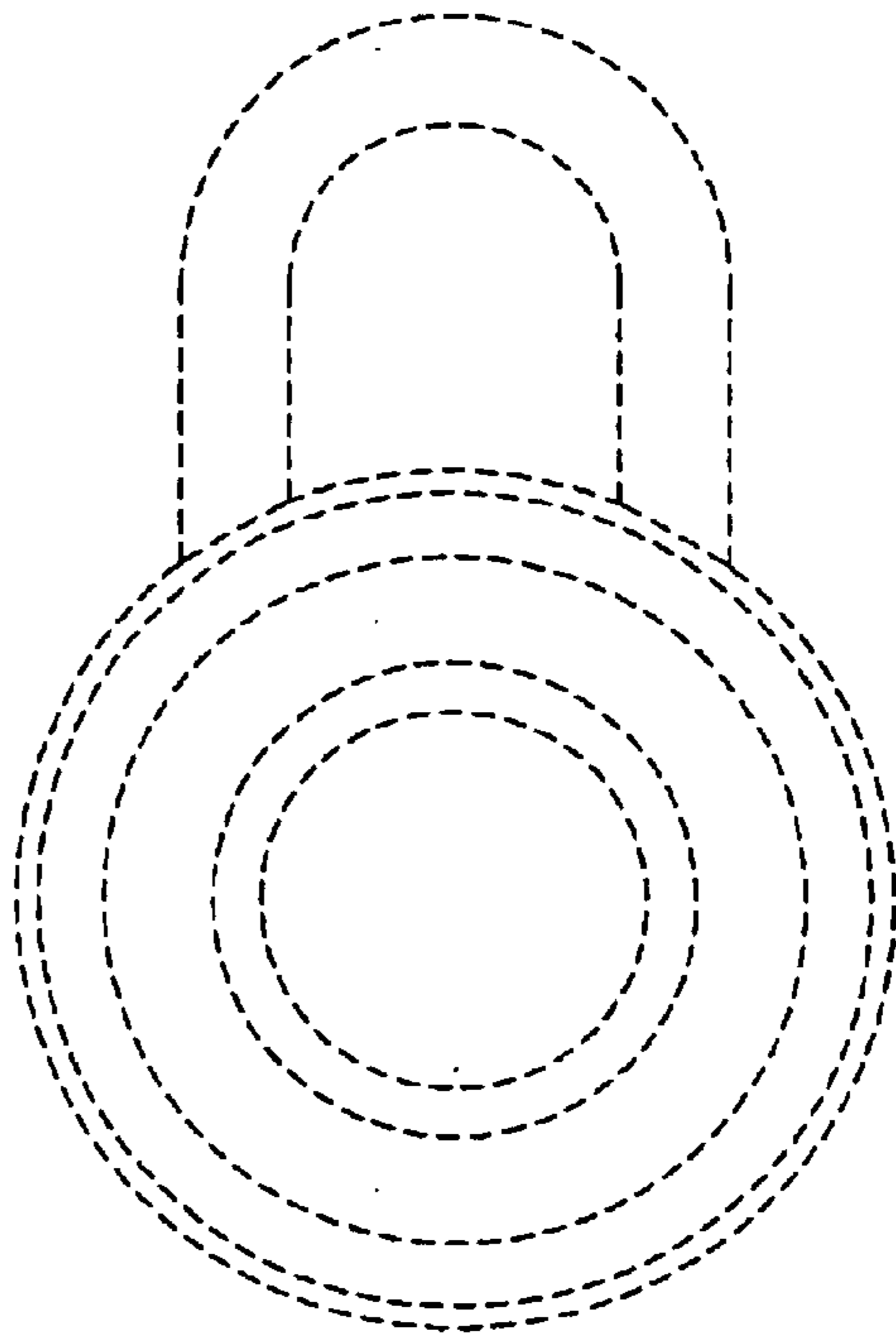


FIG. 7