

US00D506663S

(12) **United States Design Patent**
Biller et al.

(10) **Patent No.: US D506,663 S**
(45) **Date of Patent: ** Jun. 28, 2005**

(54) **MULTI-APPLICATION WOOD WORKING KNIFE**

(75) Inventors: **Sven-Olov Biller**, Hudiksvall (SE);
Christian Plouffe, Laval (CA); **Ian G. Zinniger**, Ste. Therese (CA)

(73) Assignee: **Iggesund Tools AG**, Iggesund (SE)

(**) Term: **14 Years**

(21) Appl. No.: **29/183,265**

(22) Filed: **Jun. 9, 2003**

(30) **Foreign Application Priority Data**

Jan. 14, 2003 (CA) 101762

(51) **LOC (8) Cl. 08-03**

(52) **U.S. Cl. D8/98; D25/125**

(58) **Field of Search D8/98; D25/121, D25/125; D10/113, 114; D15/139; D32/41; 241/192, 242; 144/242; 49/467, 468, 469, 470**

(56) **References Cited**

U.S. PATENT DOCUMENTS

3,667,192 A *	6/1972	Sewell	52/213
D229,493 S *	12/1973	Feakins	D25/125
4,047,670 A	9/1977	Svensson	241/92
4,271,882 A	6/1981	Valo	144/241
4,423,758 A	1/1984	Haller et al.	144/176
4,503,893 A	3/1985	Demopoulus	144/176
4,610,285 A	9/1986	Derivaz	144/231
4,669,516 A	6/1987	Carpenter et al.	144/241
4,771,718 A	9/1988	Carpenter et al.	144/176

4,784,337 A	11/1988	Nettles et al.	241/92
4,850,408 A	7/1989	Carpenter et al.	144/241
4,887,772 A	12/1989	Robinson et al.	241/92
4,956,940 A *	9/1990	Touton, III	49/388
4,969,605 A *	11/1990	Morin	241/192
4,977,937 A *	12/1990	Hessenthaler	144/241
4,977,939 A	12/1990	Depuy et al.	144/176
4,997,018 A	3/1991	Carpenter et al.	144/241
5,129,437 A	7/1992	Nettles et al.	144/176
5,133,394 A	7/1992	Landtwing	144/230
D340,534 S *	10/1993	McConnell et al.	D25/119
5,271,440 A	12/1993	Bradstreet, Jr. et al.	144/176

(Continued)

FOREIGN PATENT DOCUMENTS

CA 2307408 11/2001

Primary Examiner—Philip S. Hyder

(74) *Attorney, Agent, or Firm*—Fitzpatrick, Cella, Harper & Scinto

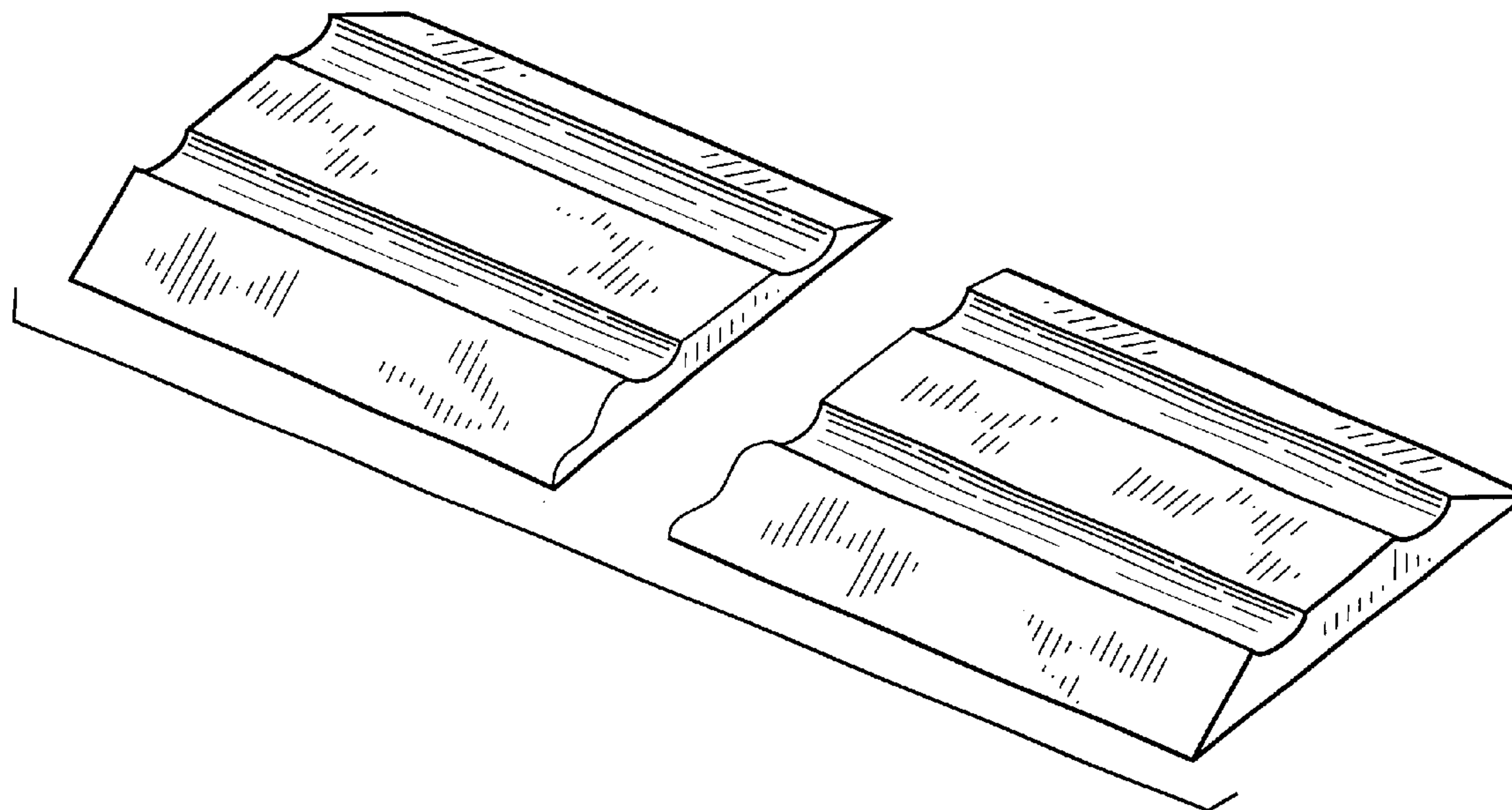
(57) **CLAIM**

The ornamental design for a multi-application wood working knife, as shown and described.

DESCRIPTION

FIG. 1 is a top perspective view of a multi-application wood working knife showing our new design; FIG. 2 is a bottom perspective view thereof; FIG. 3 is a broken bottom view thereof; FIG. 4 is a broken top view thereof; and, FIGS. 5 and 6 are end views thereof. The knife is shown fragmentarily to indicate indeterminate length.

1 Claim, 2 Drawing Sheets



US D506,663 S

Page 2

U.S. PATENT DOCUMENTS

5,274,899 A	1/1994	Sentagnes et al.	29/468	5,649,579 A	7/1997	Kokko et al.	144/176
5,305,811 A	4/1994	Schaeffer	144/176	5,660,218 A	8/1997	Jonkka	144/176
5,348,064 A	9/1994	Nettles et al.	144/176	5,765,452 A	6/1998	Roux et al.	76/115
D357,563 S *	4/1995	Vosbikian	D32/41	5,819,826 A *	10/1998	Schmatjen	144/241
5,409,047 A	4/1995	Jorgensen	144/176	5,820,042 A	10/1998	Robison	241/92
5,439,039 A	8/1995	Bradstreet, Jr. et al.	144/220	5,896,902 A	4/1999	Maybon	144/329
5,469,902 A	11/1995	Sharp et al.	144/241	5,906,231 A	5/1999	Rautio	144/241
5,501,256 A	3/1996	Dyer et al.	144/241	6,056,030 A	5/2000	Jonkka	144/176
5,505,239 A	4/1996	Sparks	144/220	6,058,989 A	5/2000	LaGrange et al.	144/218
D370,611 S *	6/1996	Frick et al.	D8/98	D444,367 S *	7/2001	Decker	D8/98
5,564,967 A	10/1996	Jorgensen	451/45	D450,556 S *	11/2001	Biller et al.	D8/98
5,575,320 A	11/1996	Brisson	144/220	6,502,609 B1	1/2003	Guels	144/176
5,613,538 A	3/1997	Brisson	144/228	6,591,878 B2	7/2003	Hinchcliff	144/241
5,623,977 A	4/1997	Sparks	144/220	2003/0019543 A1	1/2003	Schuh	
D379,913 S *	6/1997	Prosser	D8/98				

* cited by examiner

FIG. 1

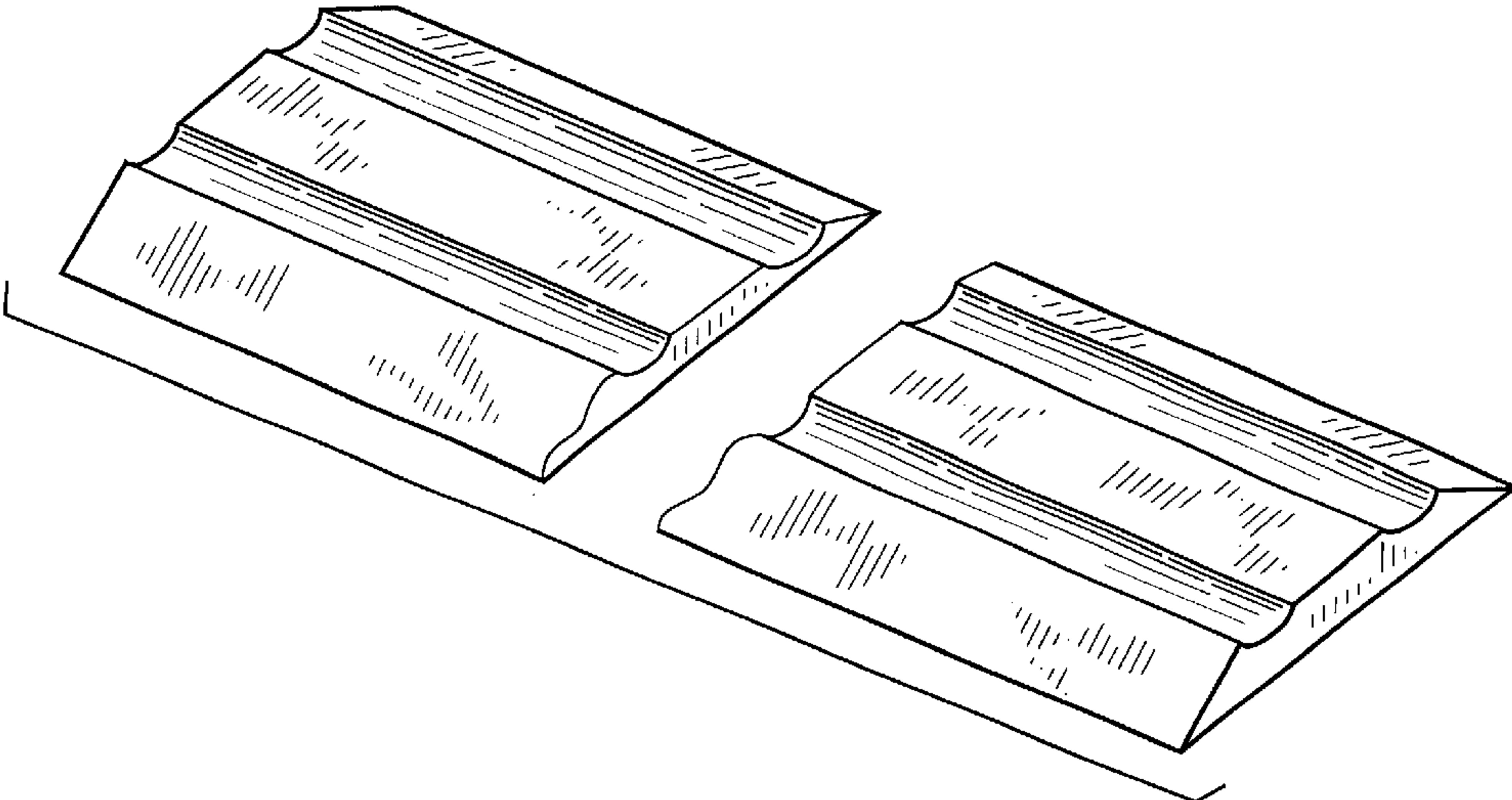


FIG. 2

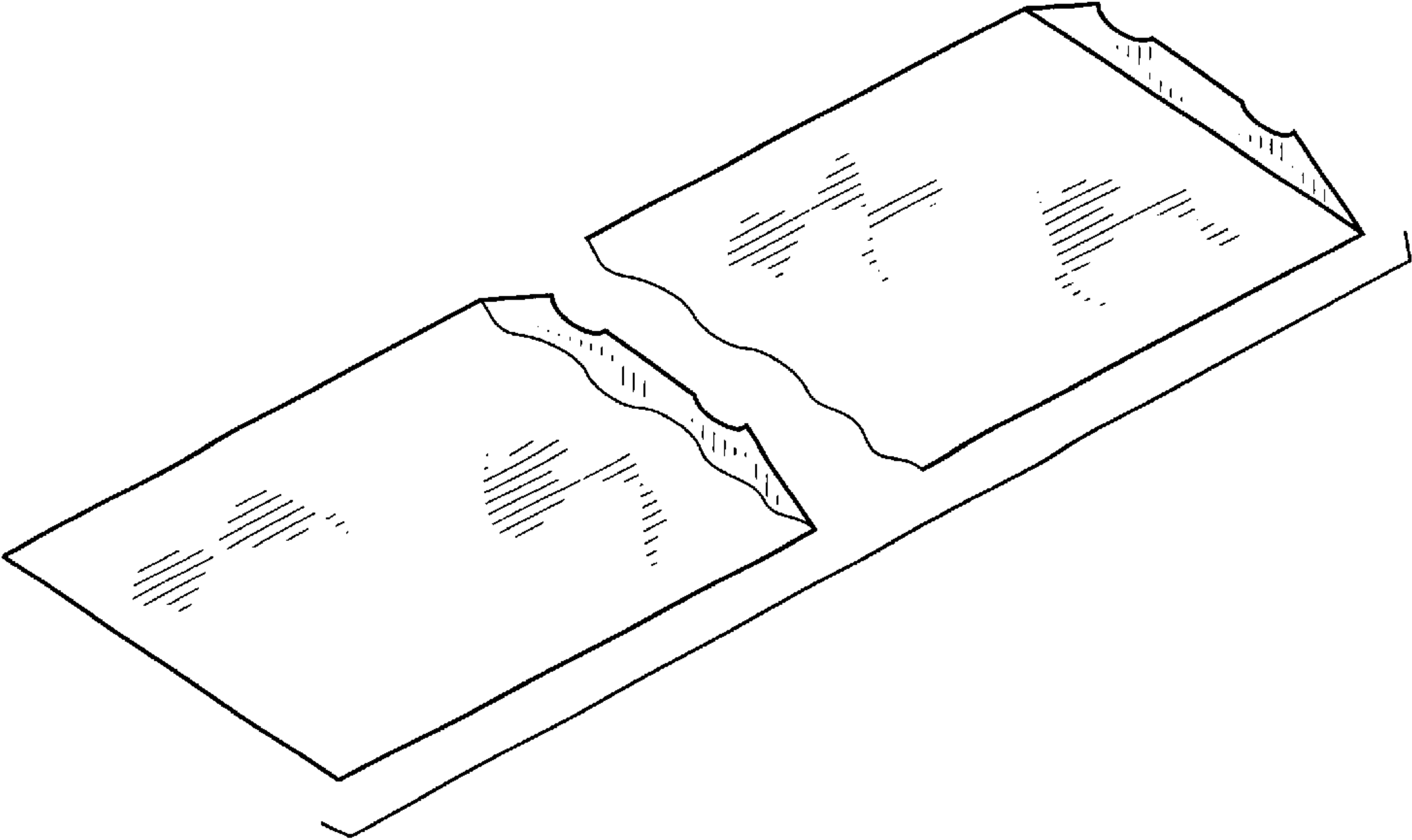


FIG. 3

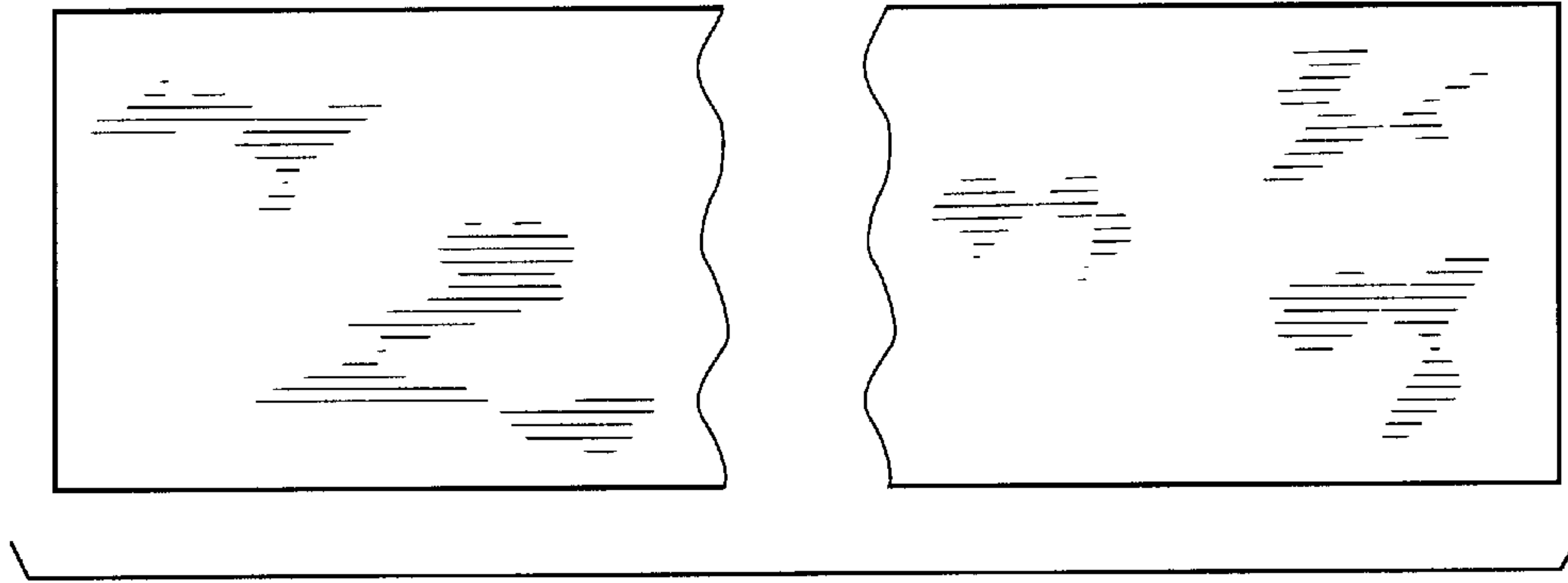


FIG. 4

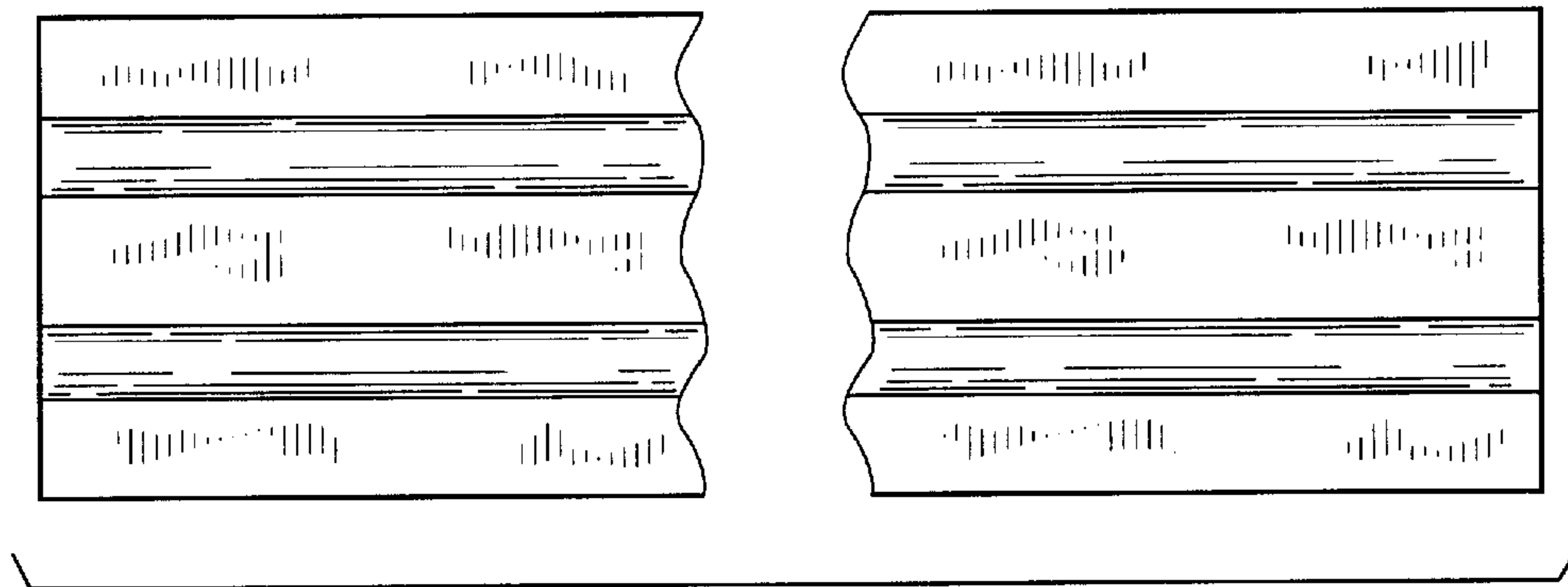


FIG. 5

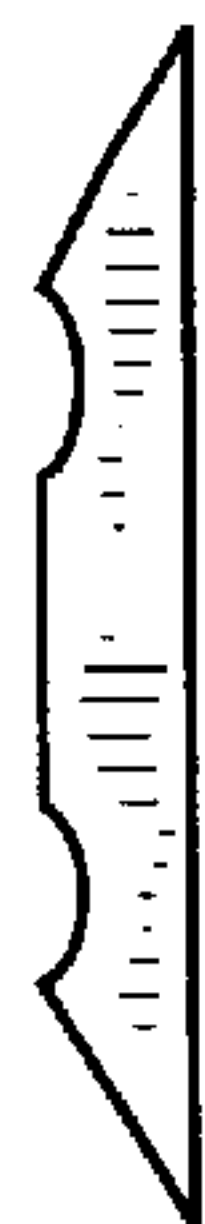


FIG. 6

