

US00D506662S

(12) **United States Design Patent**
Watson

(10) **Patent No.:** **US D506,662 S**

(45) **Date of Patent:** **** Jun. 28, 2005**

(54) **POWER TOOL**

(75) **Inventor:** **James B. Watson**, Fallston, MD (US)

(73) **Assignee:** **Black & Decker Inc.**, Newark, DE (US)

(**) **Term:** **14 Years**

(21) **Appl. No.:** **29/186,493**

(22) **Filed:** **Jul. 15, 2003**

(51) **LOC (8) Cl.** **08-01**

(52) **U.S. Cl.** **D8/62**

(58) **Field of Search** D8/61, 62, 67,
D8/69; 173/170, 171; 310/50; 451/344,
351, 352, 353, 354, 355, 356, 357, 358,
359, 451

(56) **References Cited**

U.S. PATENT DOCUMENTS

| | | | | | |
|------------|---|---------|----------------|-------|-------|
| D305,399 S | * | 1/1990 | Fushiya et al. | | D8/62 |
| D322,016 S | * | 12/1991 | Thurler et al. | | D8/62 |
| D347,153 S | * | 5/1994 | Uneyama | | D8/62 |
| D402,870 S | * | 12/1998 | Etter et al. | | D8/62 |
| D408,244 S | * | 4/1999 | Price | | D8/62 |

| | | | | | |
|--------------|---|---------|-----------------|-------|---------|
| 6,120,362 A | * | 9/2000 | Etter et al. | | 451/354 |
| D431,438 S | * | 10/2000 | Flender et al. | | D8/64 |
| D447,397 S | * | 9/2001 | Netzler | | D8/62 |
| 6,306,024 B1 | * | 10/2001 | Kai et al. | | 451/357 |
| D468,179 S | * | 1/2003 | Hayakawa et al. | | D8/62 |

* cited by examiner

Primary Examiner—Joel A. Sincavage

Assistant Examiner—Elizabeth Albert

(74) *Attorney, Agent, or Firm*—Adan Ayala

(57) **CLAIM**

The ornamental design for a power tool, as shown and described.

DESCRIPTION

FIG. 1 is a perspective view of a power tool showing the new design.

FIG. 2 is a front elevational view thereof.

FIG. 3 is a rear elevational view thereof.

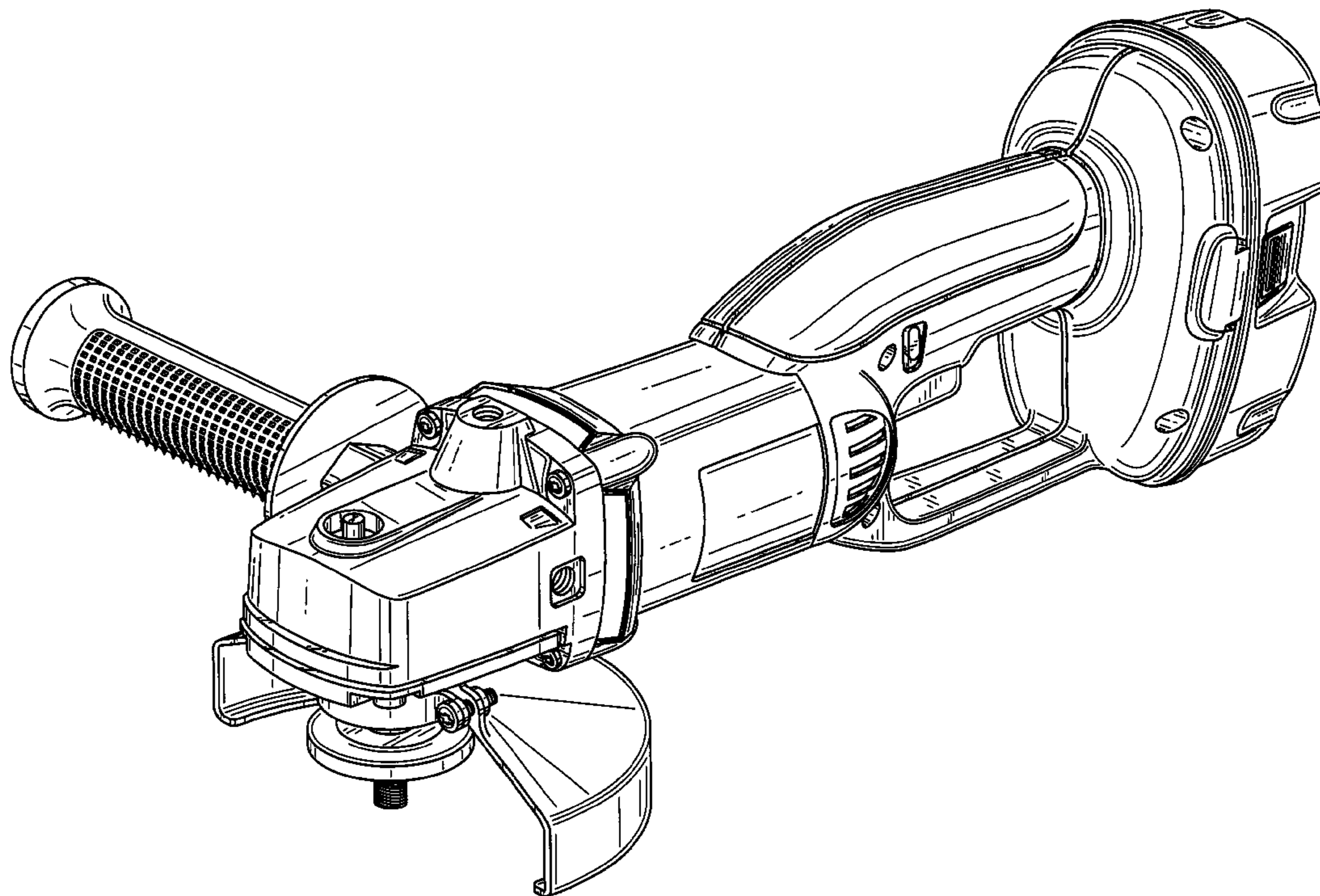
FIG. 4 is a left side elevational view thereof.

FIG. 5 is a right side elevational view thereof.

FIG. 6 is a top plan view thereof; and,

FIG. 7 is a bottom plan view thereof.

1 Claim, 7 Drawing Sheets



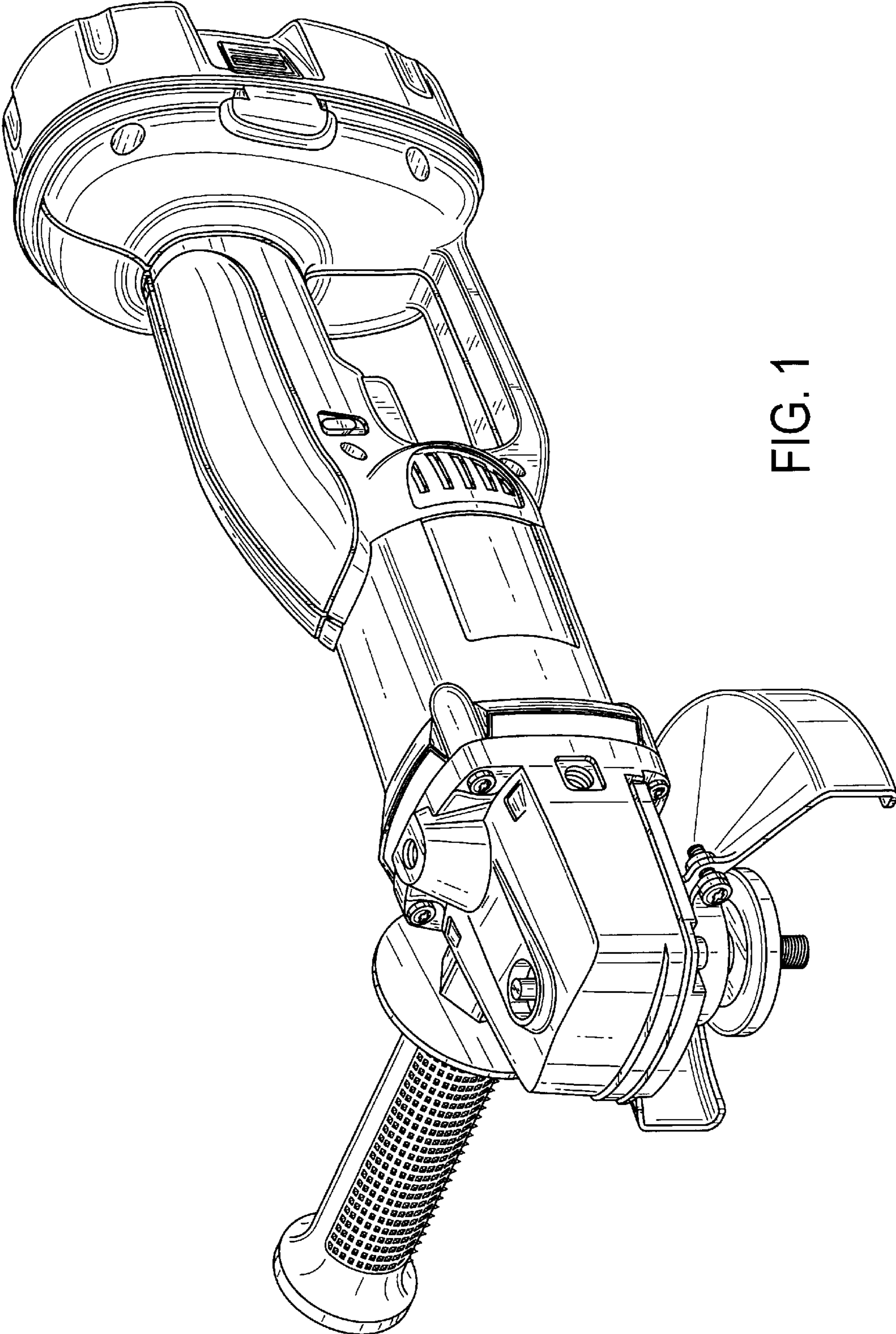


FIG. 1

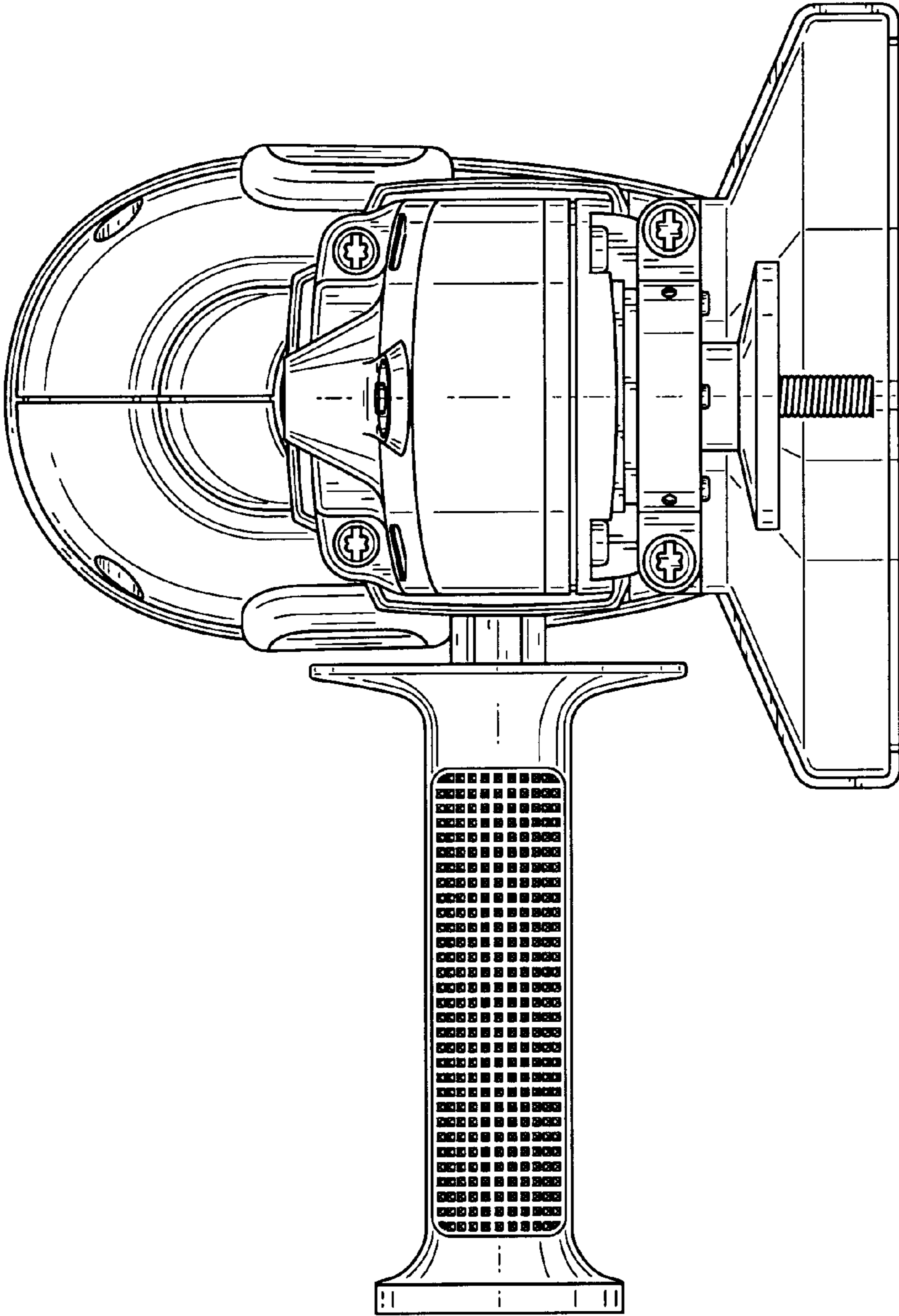


FIG. 2

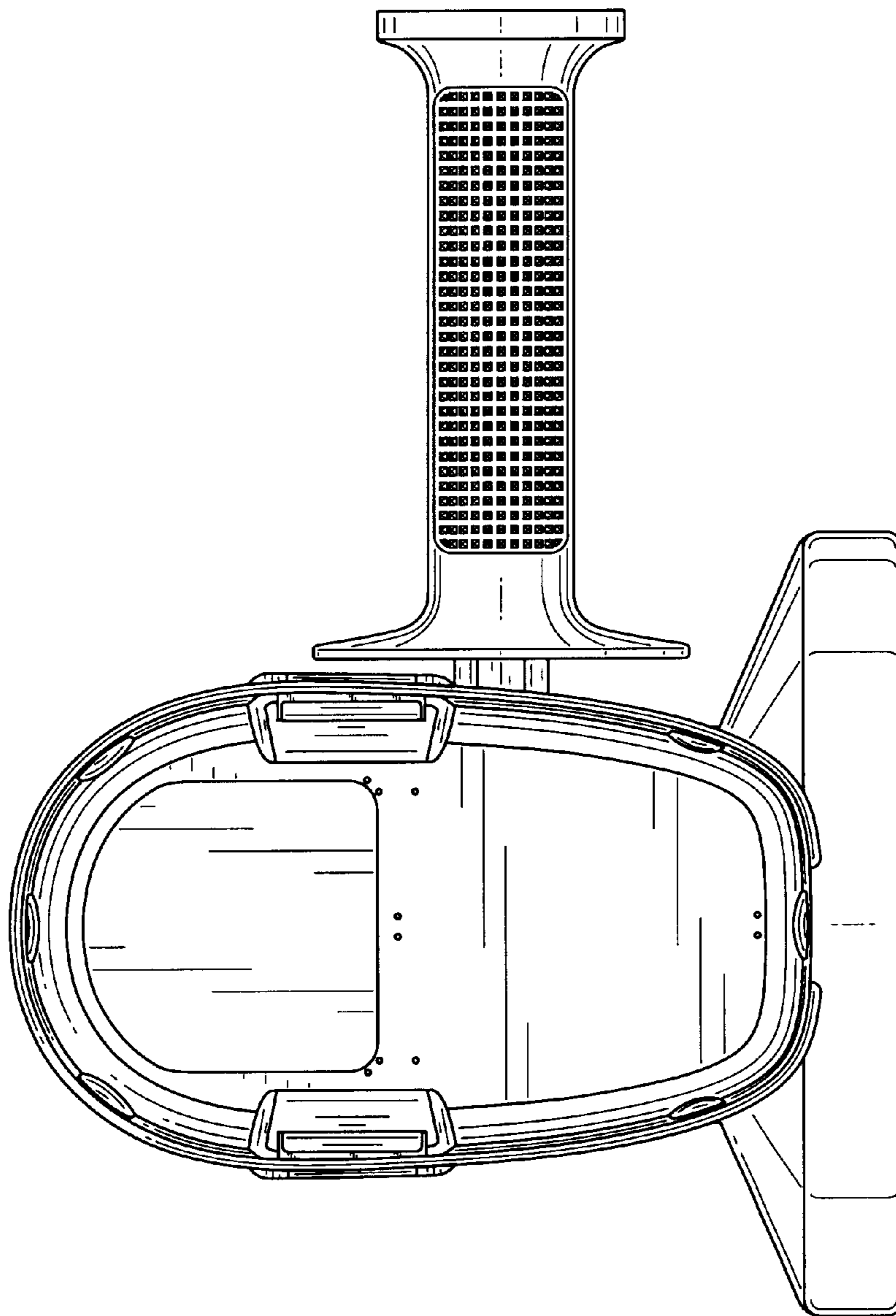


FIG. 3

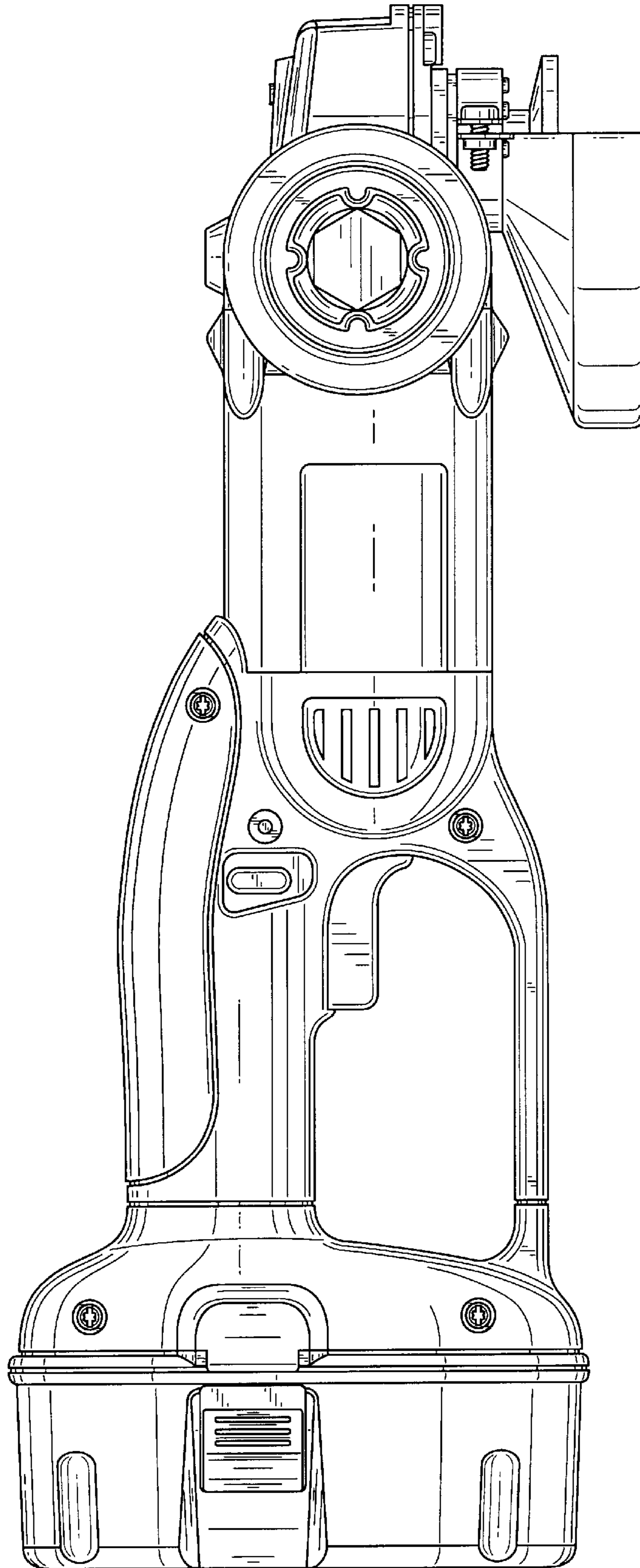


FIG. 4

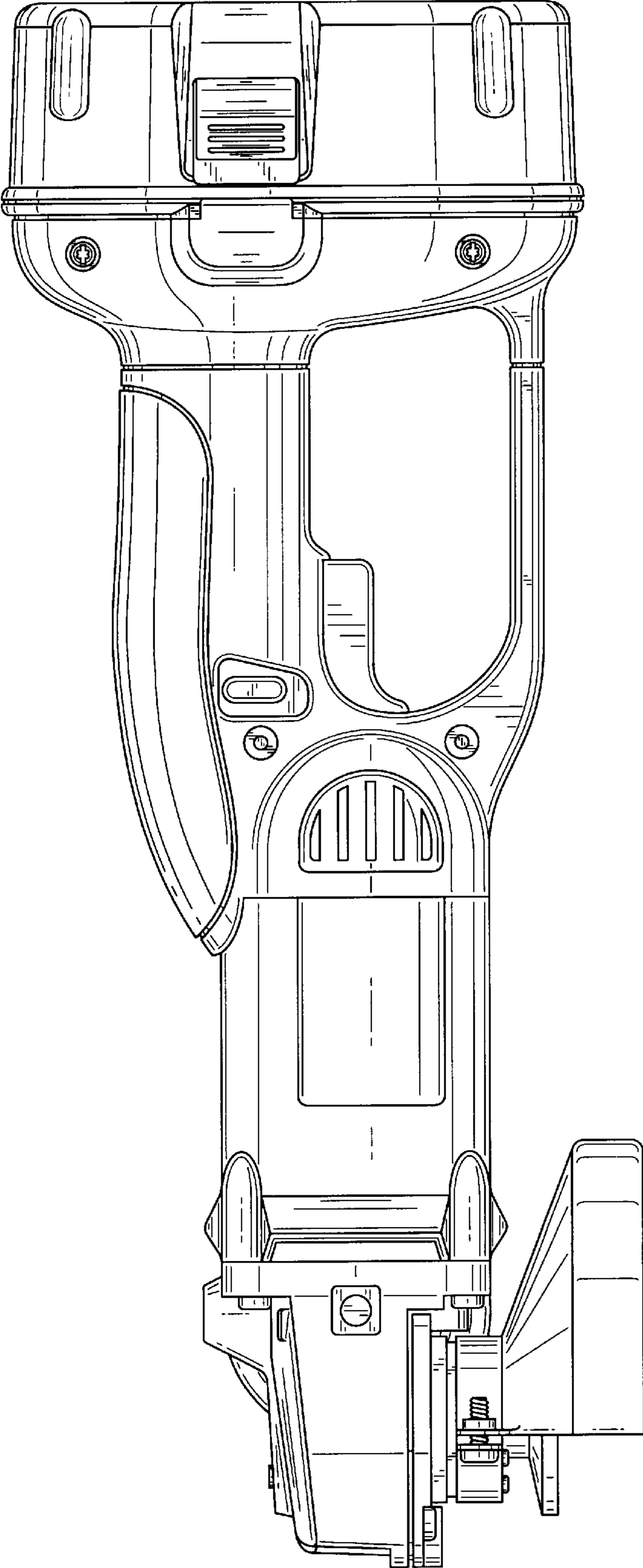


FIG. 5

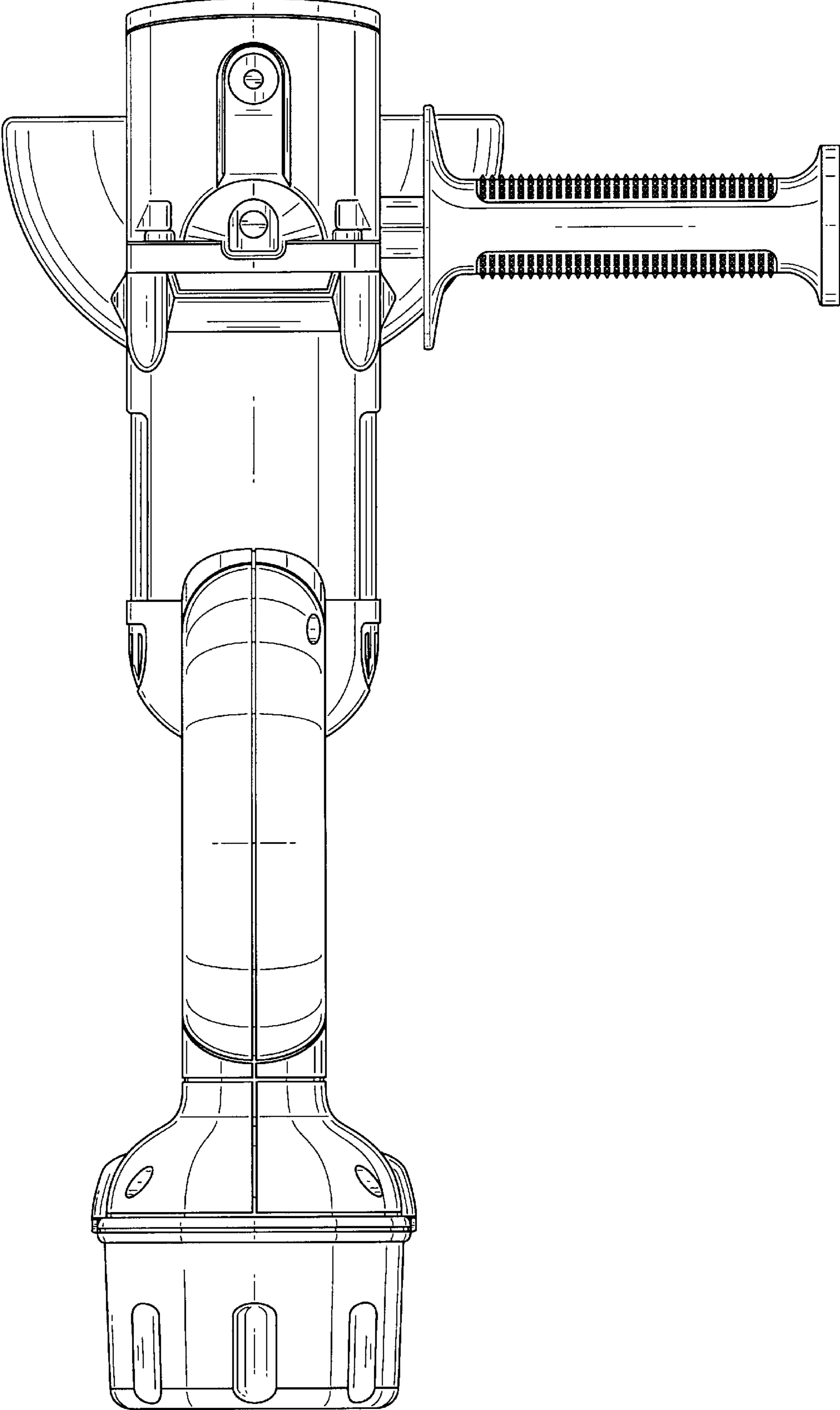


FIG. 6

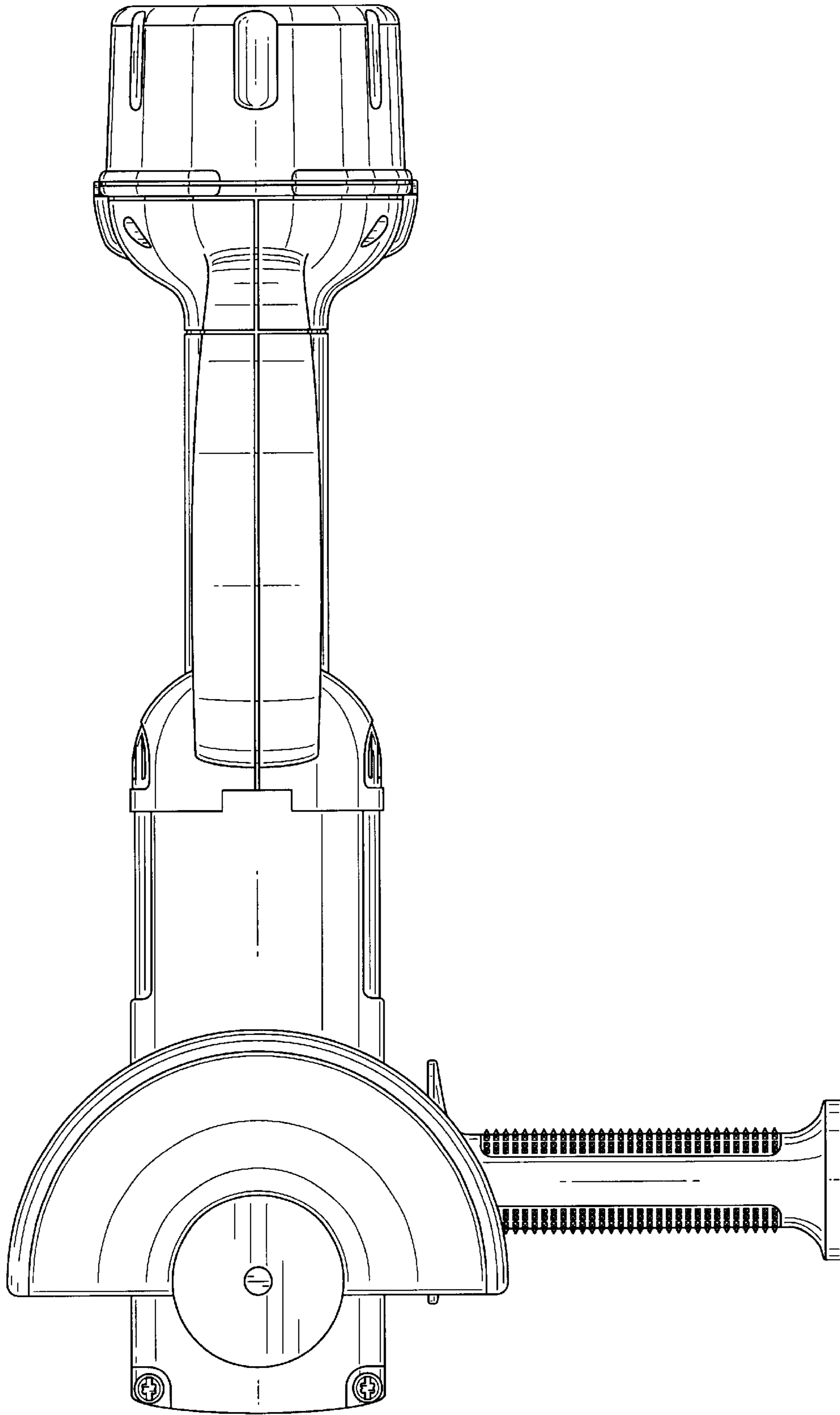


FIG. 7