

US00D506661S

(12) **United States Design Patent**
Phillips et al.

(10) **Patent No.: US D506,661 S**

(45) **Date of Patent: ** Jun. 28, 2005**

(54) **SCISSORS**

D461,384 S * 8/2002 Takehana D8/57
D471,779 S * 3/2003 Chen D8/57

(75) Inventors: **Marta Phillips**, Fairfield, CT (US);
Jason Arena, Stamford, CT (US); **R. E. Tod Dawson**, Brookfield, CT (US);
Victor Ivenitsky, South Salem, NY (US); **David Mathieu**, South Glastonbury, CT (US); **Giovanni Pagnotta**, Port Chester, NY (US)

OTHER PUBLICATIONS

“Santa” Scissors from www.scarlet-letter.com. Found online Oct. 12, 2004.*

* cited by examiner

Primary Examiner—Clare E Heflin

(73) Assignee: **Acme United Corporation**, Fairfield, CT (US)

(74) *Attorney, Agent, or Firm*—Whyte Hirschboeck Dudek SC

(**) Term: **14 Years**

(57) **CLAIM**

The ornamental design for the scissors, as shown and described.

(21) Appl. No.: **29/191,067**

DESCRIPTION

(22) Filed: **Oct. 1, 2003**

(51) **LOC (8) Cl.** **08-05**

(52) **U.S. Cl.** **D8/57**

(58) **Field of Search** D8/57, 100, 103;
7/135, 136; 30/131, 195, 358, 229-262

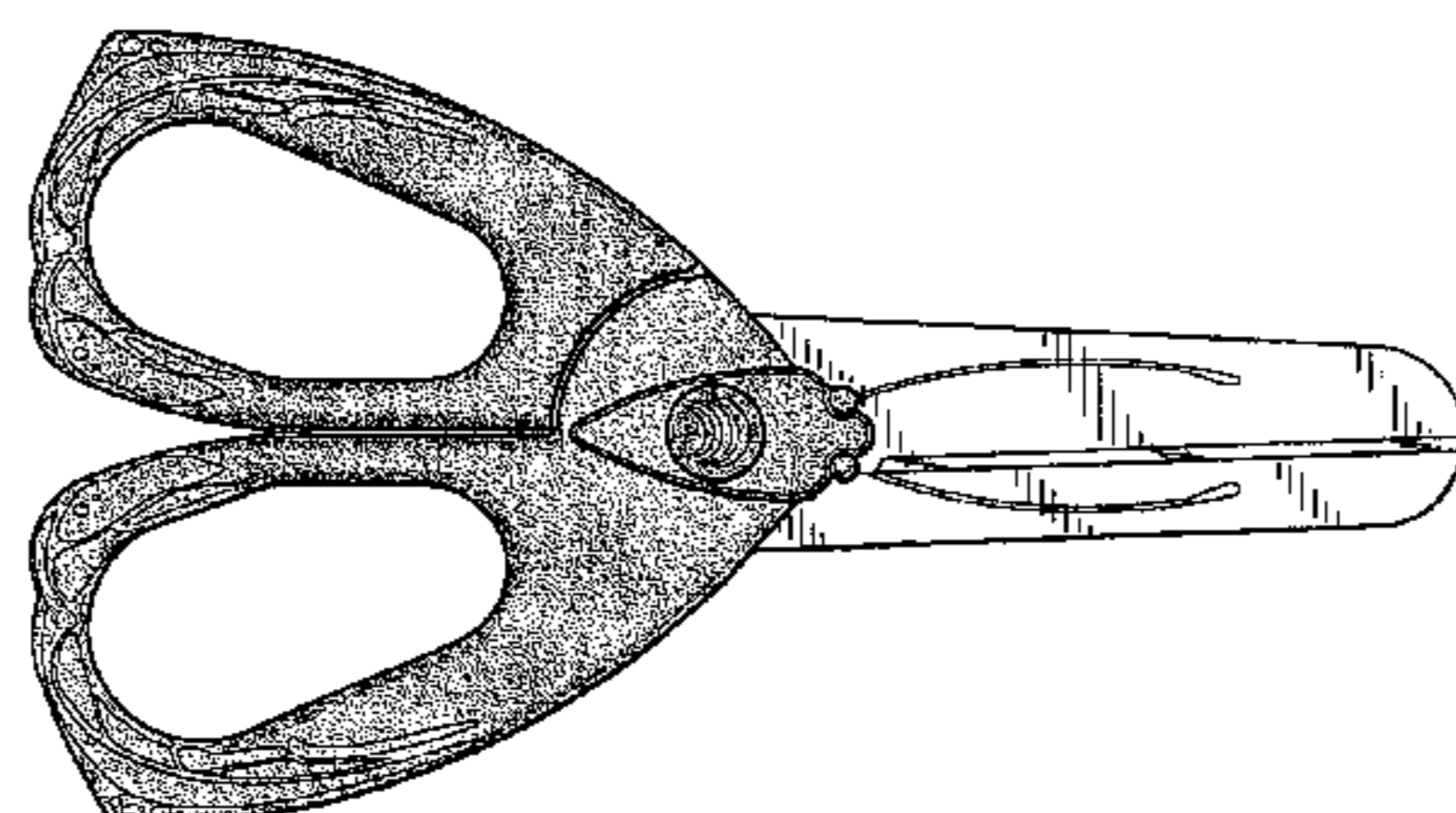
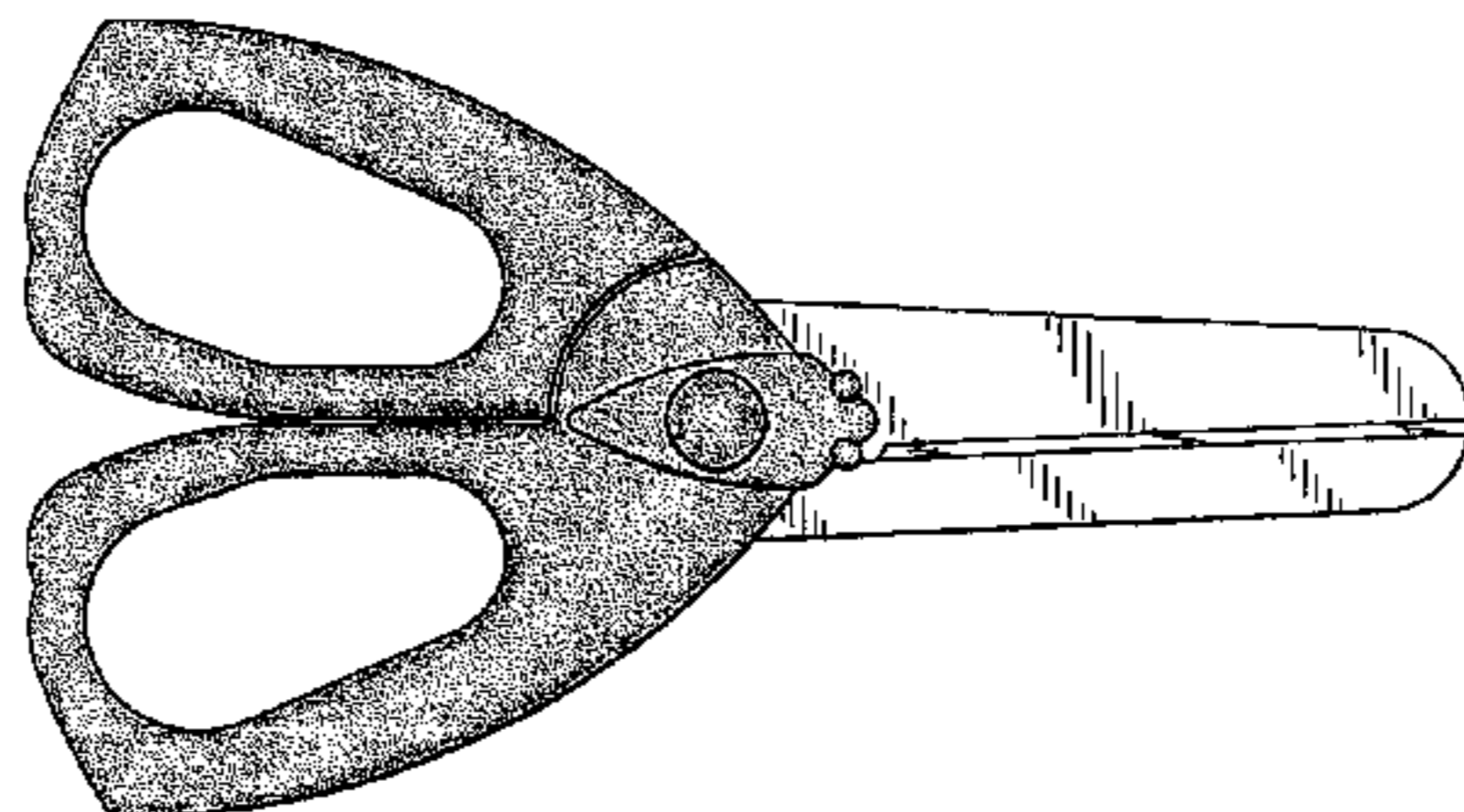
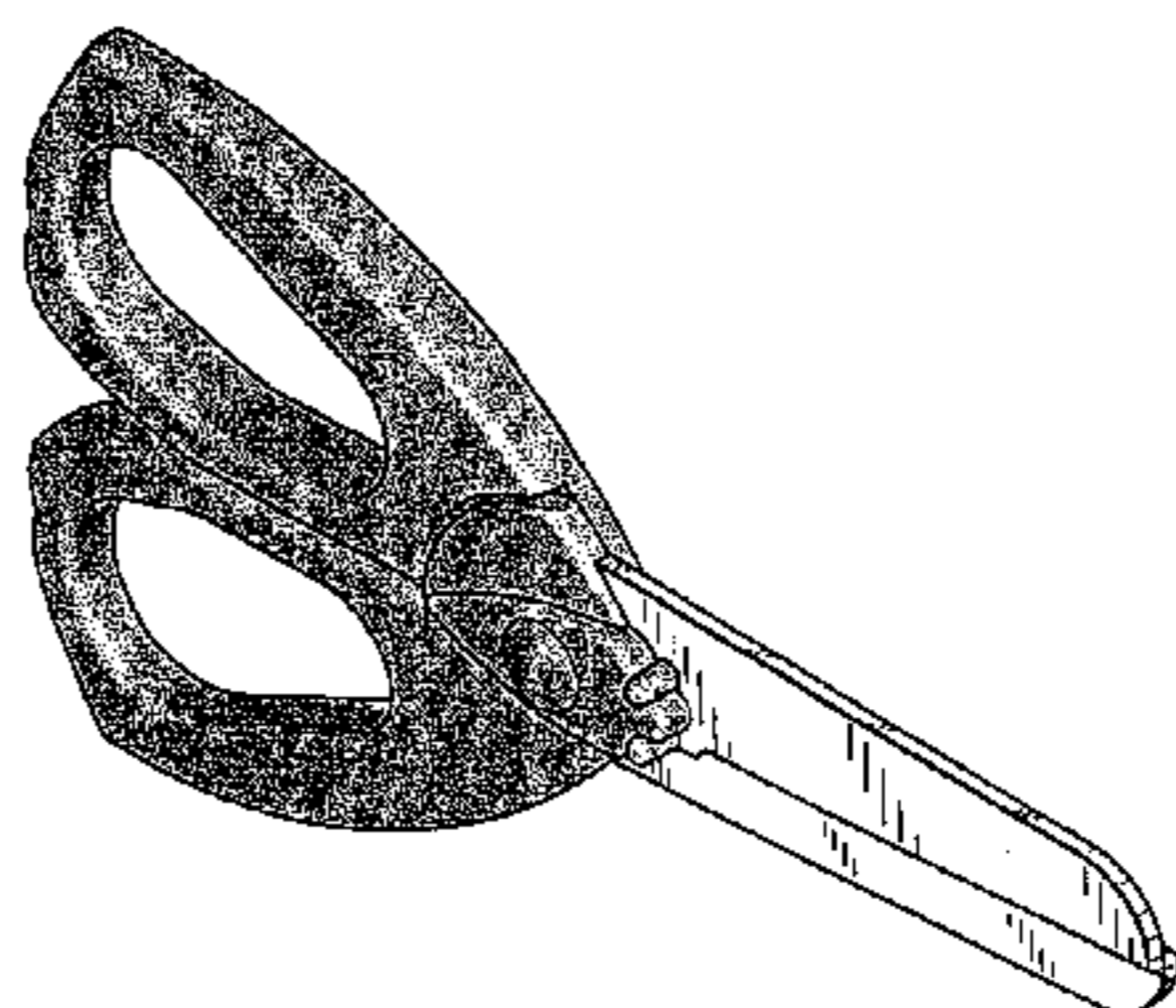
FIG. 1 is a perspective view of a scissors according to a first embodiment of the present invention;
FIG. 2 is a top view of the scissors of FIG. 1;
FIG. 3 is a bottom view, opposite the top view of FIG. 2, that has been rotated 180°, of the scissors of FIG. 1;
FIG. 4 is a right side elevational view of the scissors of FIG. 1; the left side elevational view of the scissors of FIG. 1 is identical to the right side elevational view;
FIG. 5 is a front view of the scissors of FIG. 1;
FIG. 6 is a rear view of the scissors of FIG. 1;
FIG. 7 is a top view of a second embodiment according to the present invention; and,
FIG. 8 is a bottom view, opposite the top view of FIG. 7, that has been rotated 180°, of the scissors of FIG. 7.

(56) **References Cited**

U.S. PATENT DOCUMENTS

1,681,691	A	*	8/1928	Altenbach	D8/57
D77,886	S	*	3/1929	Buttrick et al.	D8/57
2,557,553	A	*	6/1951	Mortimer	30/233
D217,424	S	*	5/1970	Sorrell	D8/53
D301,348	S	*	5/1989	Li et al.	D21/532
D304,418	S	*	11/1989	Tsuji	D8/57
4,914,820	A	*	4/1990	Saito	30/254
D367,415	S	*	2/1996	Wu	D8/53

1 Claim, 4 Drawing Sheets



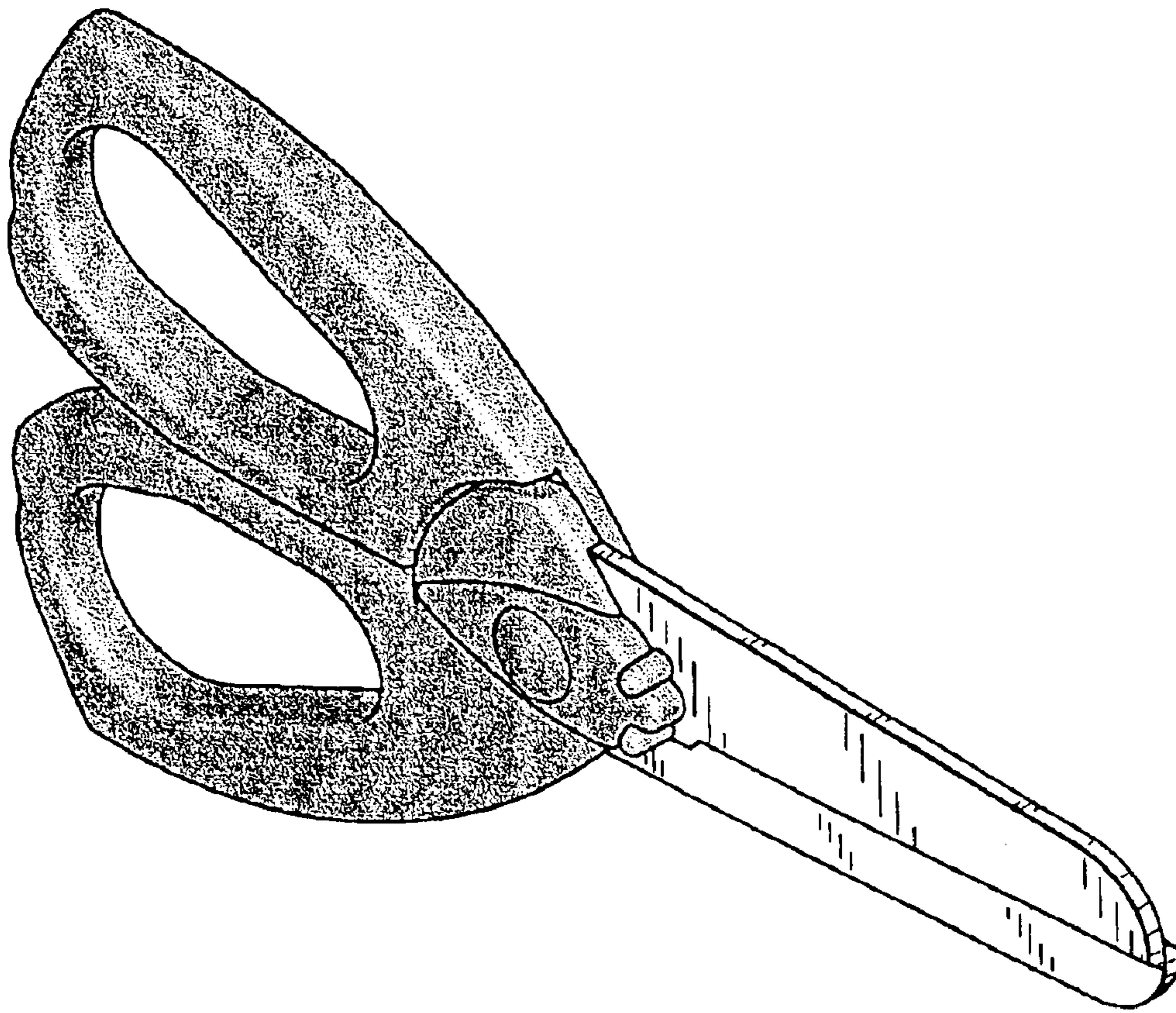


FIG. 1

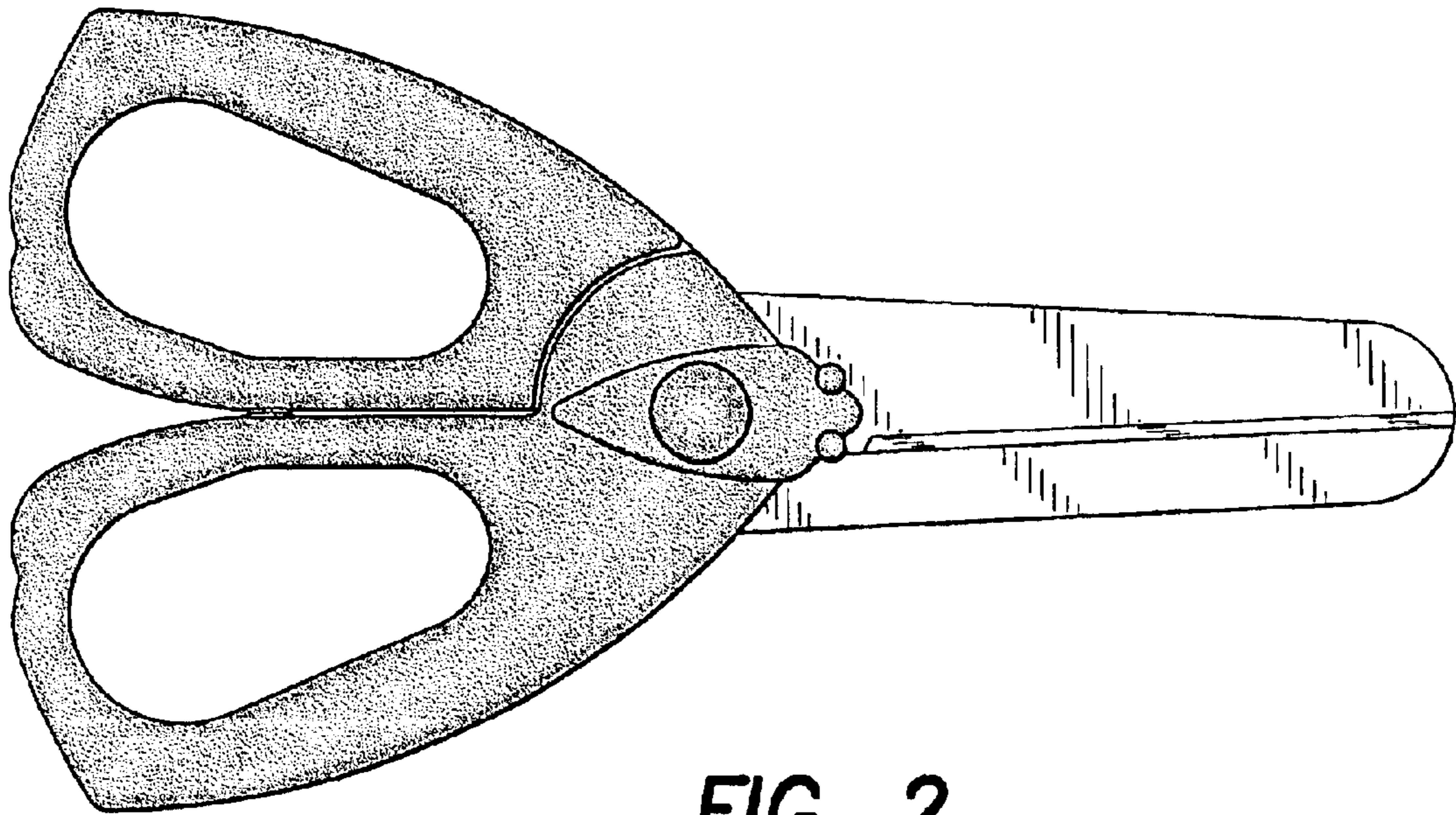


FIG. 2

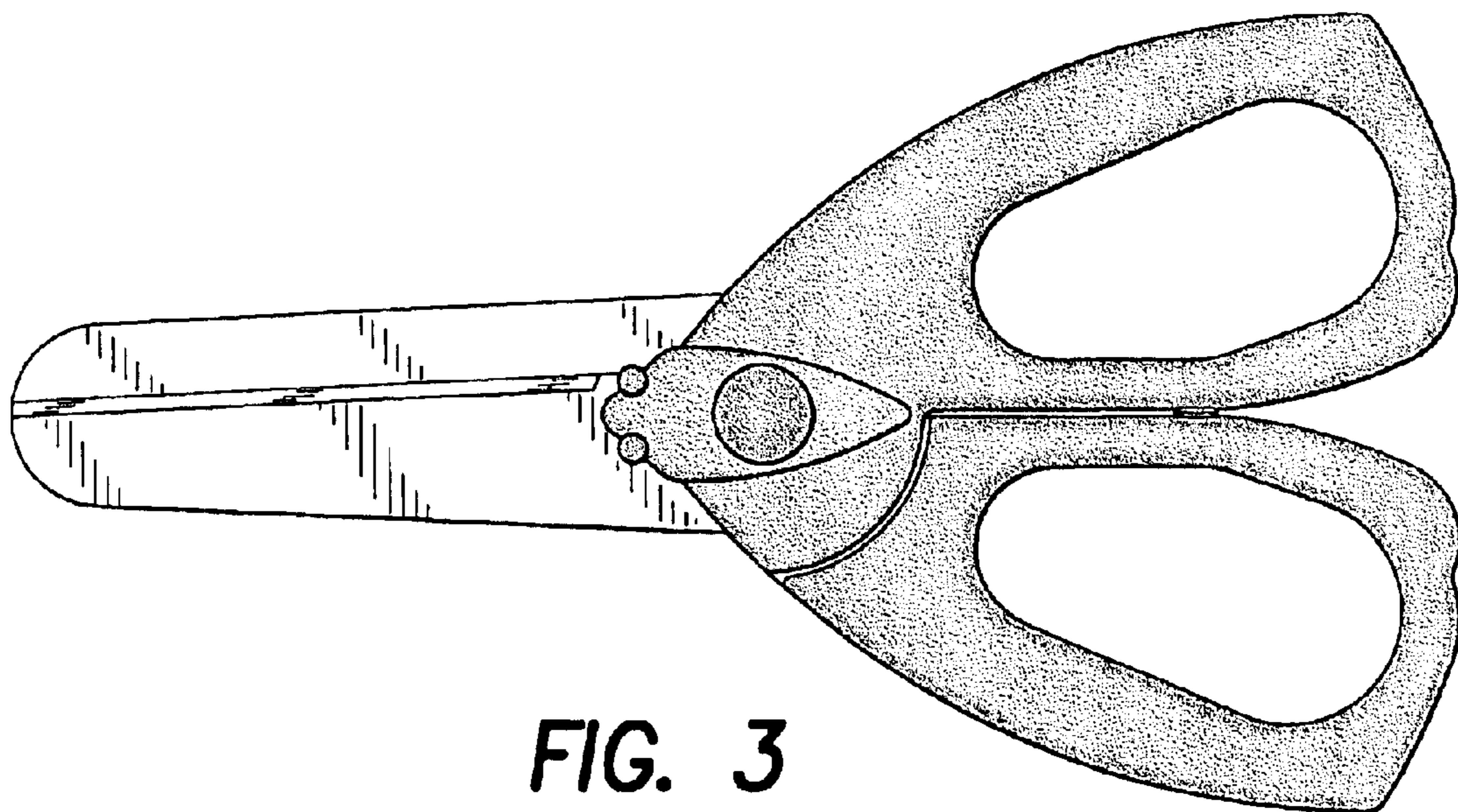


FIG. 3

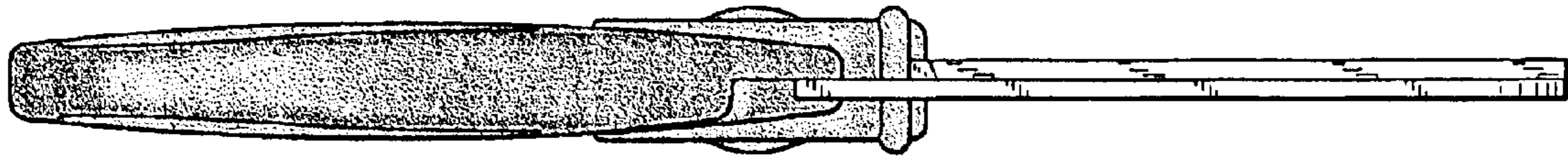


FIG. 4

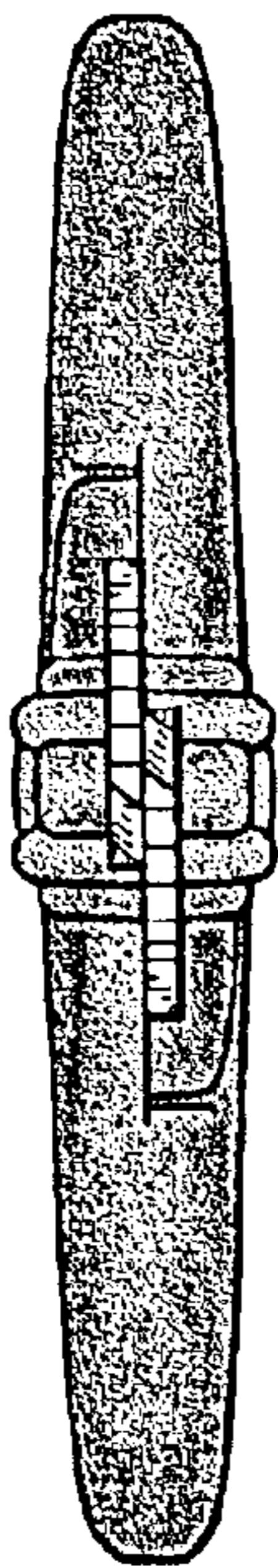


FIG. 5

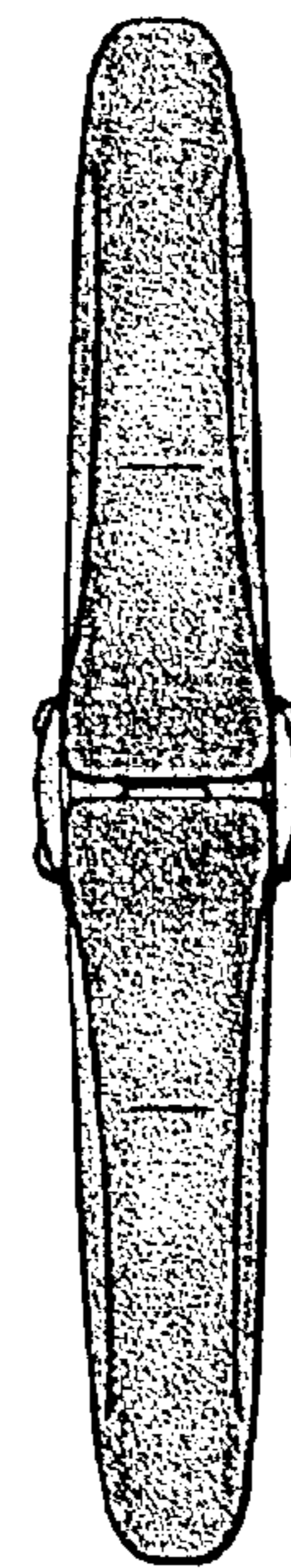


FIG. 6

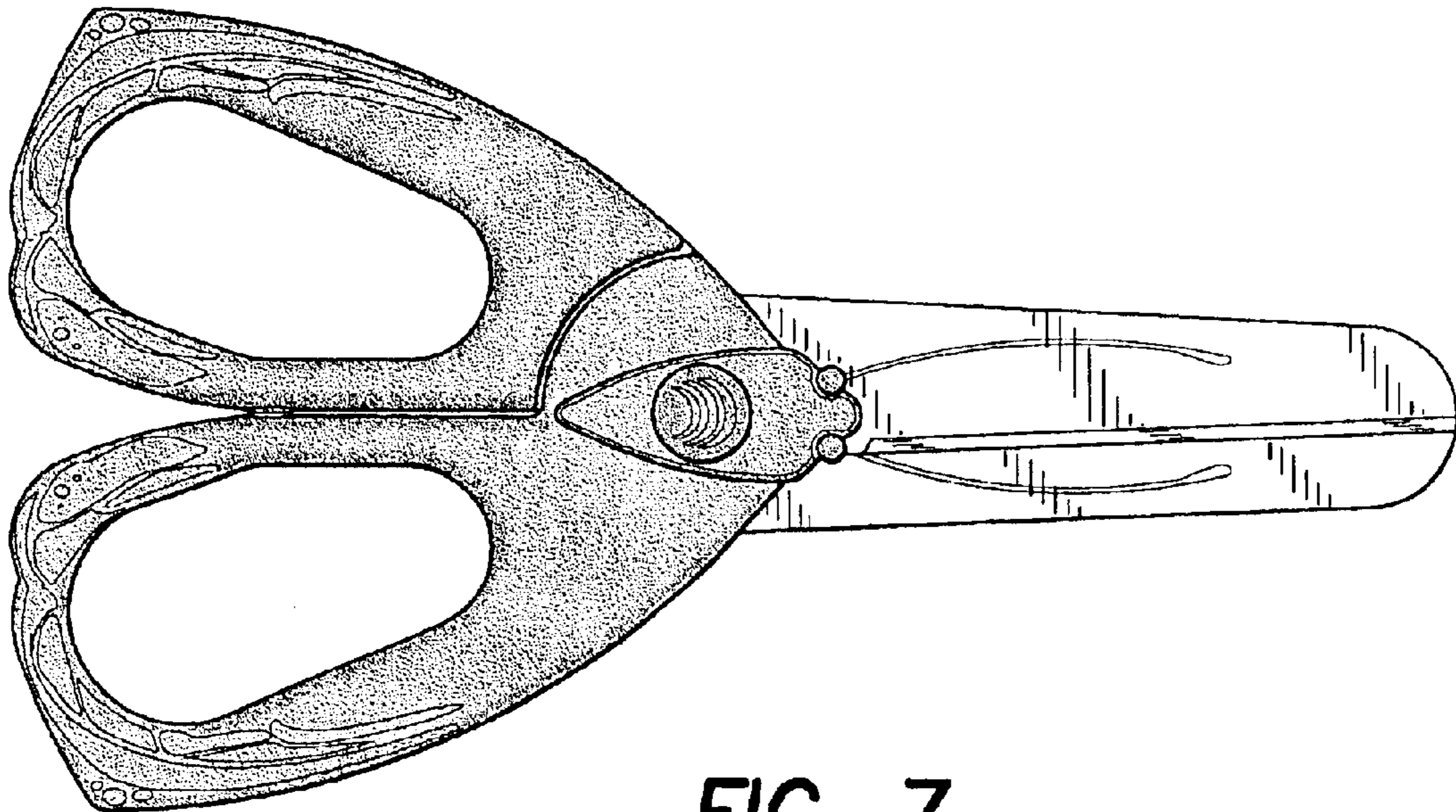


FIG. 7

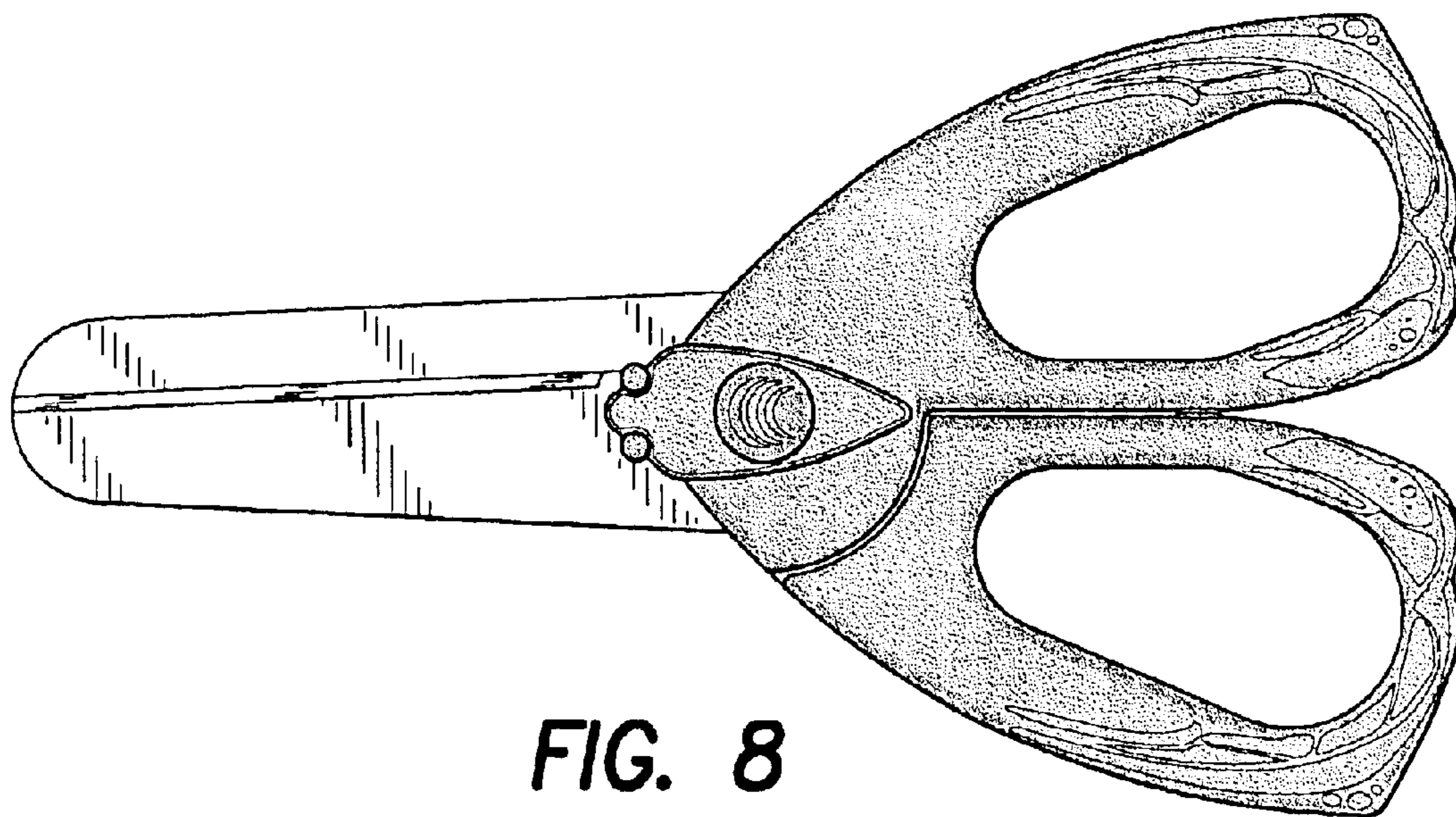


FIG. 8