

US00D506657S

(12) **United States Design Patent**
Hara

(10) **Patent No.:** **US D506,657 S**
(45) **Date of Patent:** **** Jun. 28, 2005**

(54) **HAND HELD COMPRESSOR FOR
COMPRESSING PASTE PRODUCTS**

(76) Inventor: **Takehiro Hara**, Trav. Araci, No.102,
Vila Gesuato, Braganca Paulista, Sao
Paulo CEP-129000-310 (BR)

(**) Term: **14 Years**

(21) Appl. No.: **29/186,591**

(22) Filed: **Jul. 21, 2003**

(30) **Foreign Application Priority Data**

Jan. 21, 2003 (BR) DI 6300148

(51) **LOC (8) Cl.** **08-05**

(52) **U.S. Cl.** **D8/14**

(58) **Field of Search** D8/14; D6/541;
222/95-96, 98, 101, 103

(56) **References Cited**

U.S. PATENT DOCUMENTS

4,159,787 A * 7/1979 Wright 222/103
D378,557 S * 3/1997 Tal D6/541
D395,602 S * 6/1998 Sakko D9/434

5,857,593 A * 1/1999 Patronaggio 222/103

* cited by examiner

Primary Examiner—Holly Baynham
(74) *Attorney, Agent, or Firm*—Arent Fox, PLLC

(57) **CLAIM**

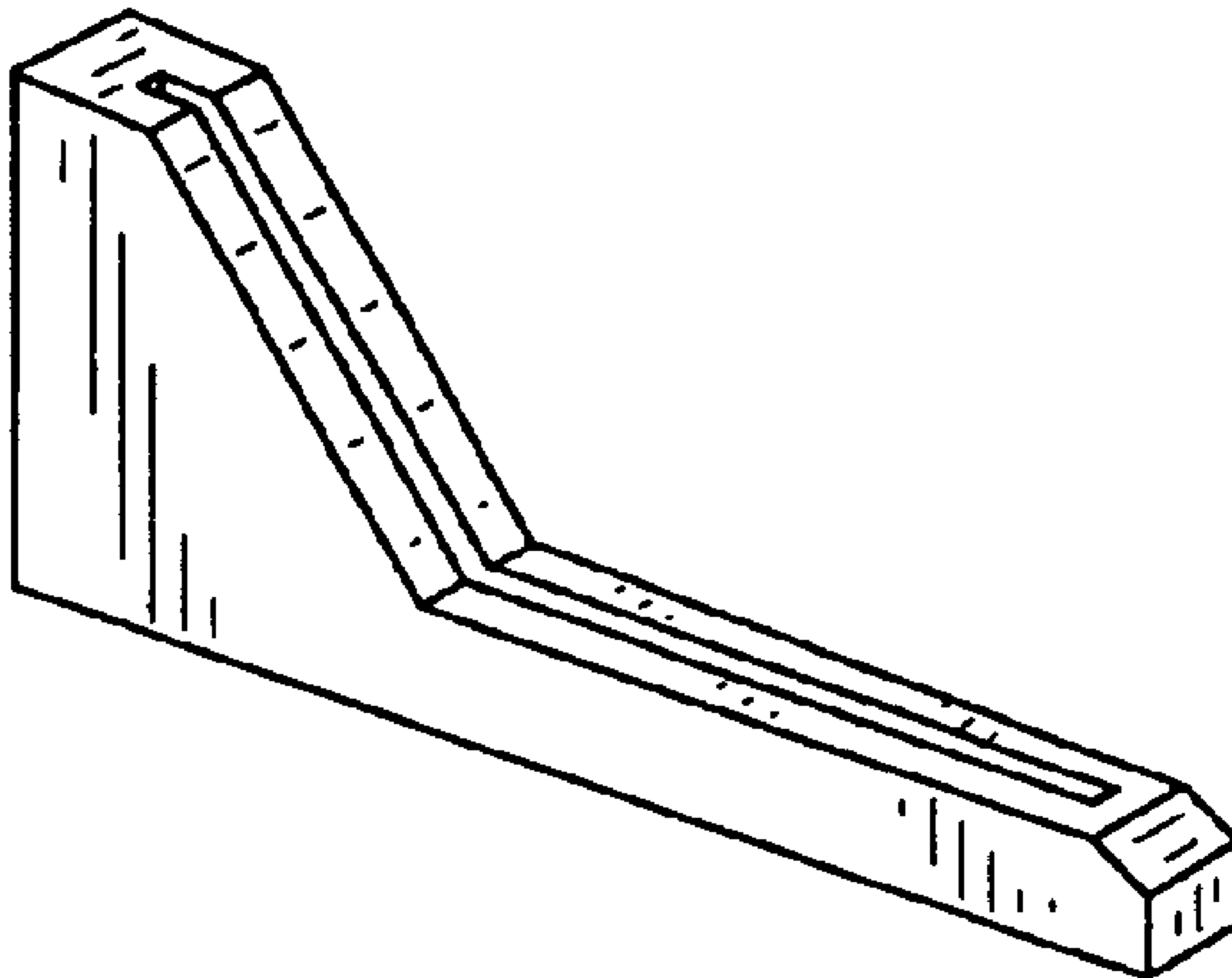
The ornamental design for a hand held compressor for
compressing paste products, as shown and described.

DESCRIPTION

It is a hand-held device provided with a clearance which is
designed to pass along flexible pipes for compressing paste-
like products such as tooth-paste and the like, in order to
help same to be dispensed, being kept self-locked on the site
it is used thanks to an angled conformation of one of its
sides.

FIG. 1 is a side view of the compressor;
FIG. 2 is a top view of the compressor;
FIG. 3 is a bottom view of the compressor;
FIG. 4 is a view taken from one of the sides of the
compressor;
FIG. 5 is a view taken from the opposite side
FIG. 6 is a top perspective view; and,
FIG. 7 is a bottom perspective view.

1 Claim, 1 Drawing Sheet



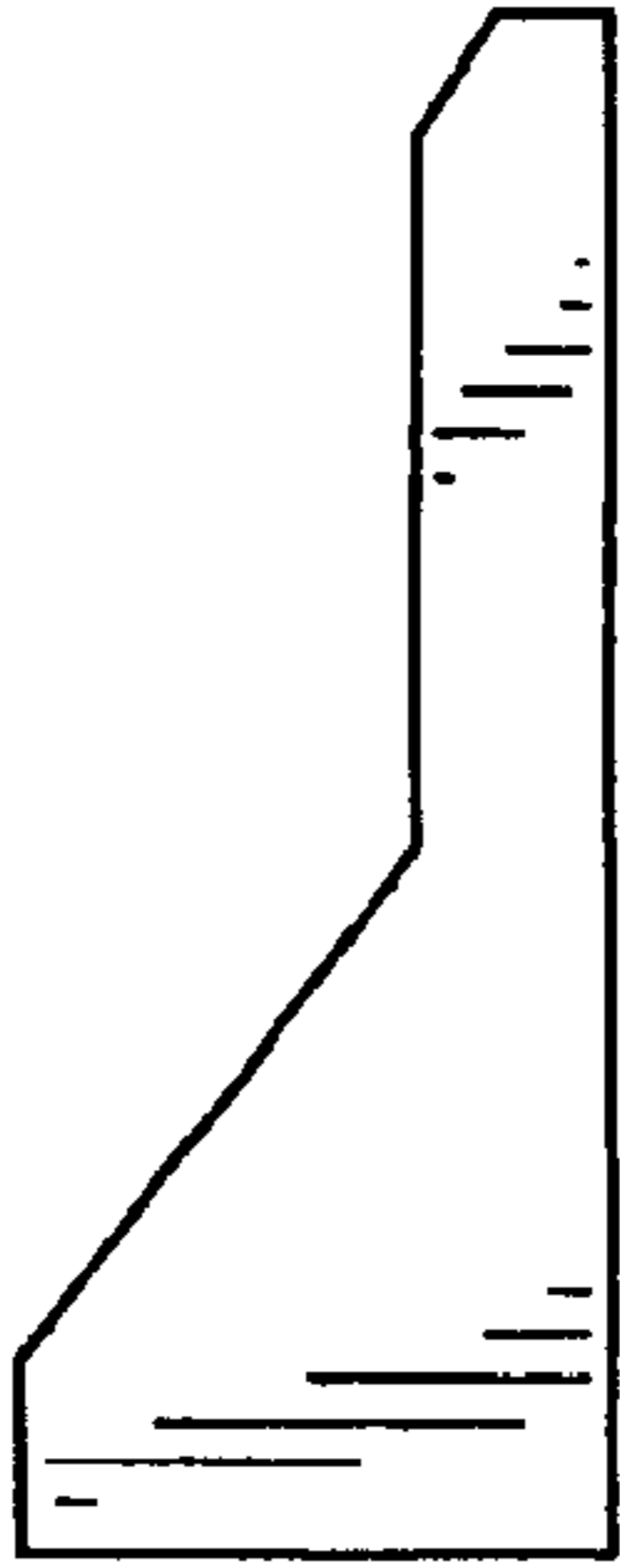


FIG. 1



FIG. 2



FIG. 3

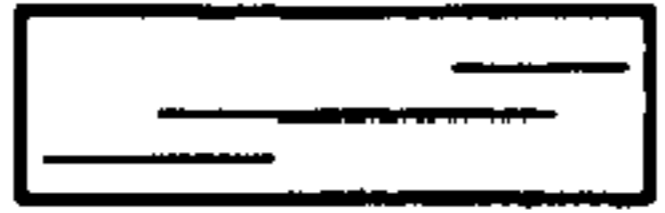


FIG. 4

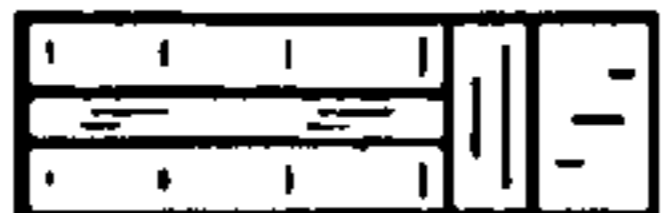


FIG. 5

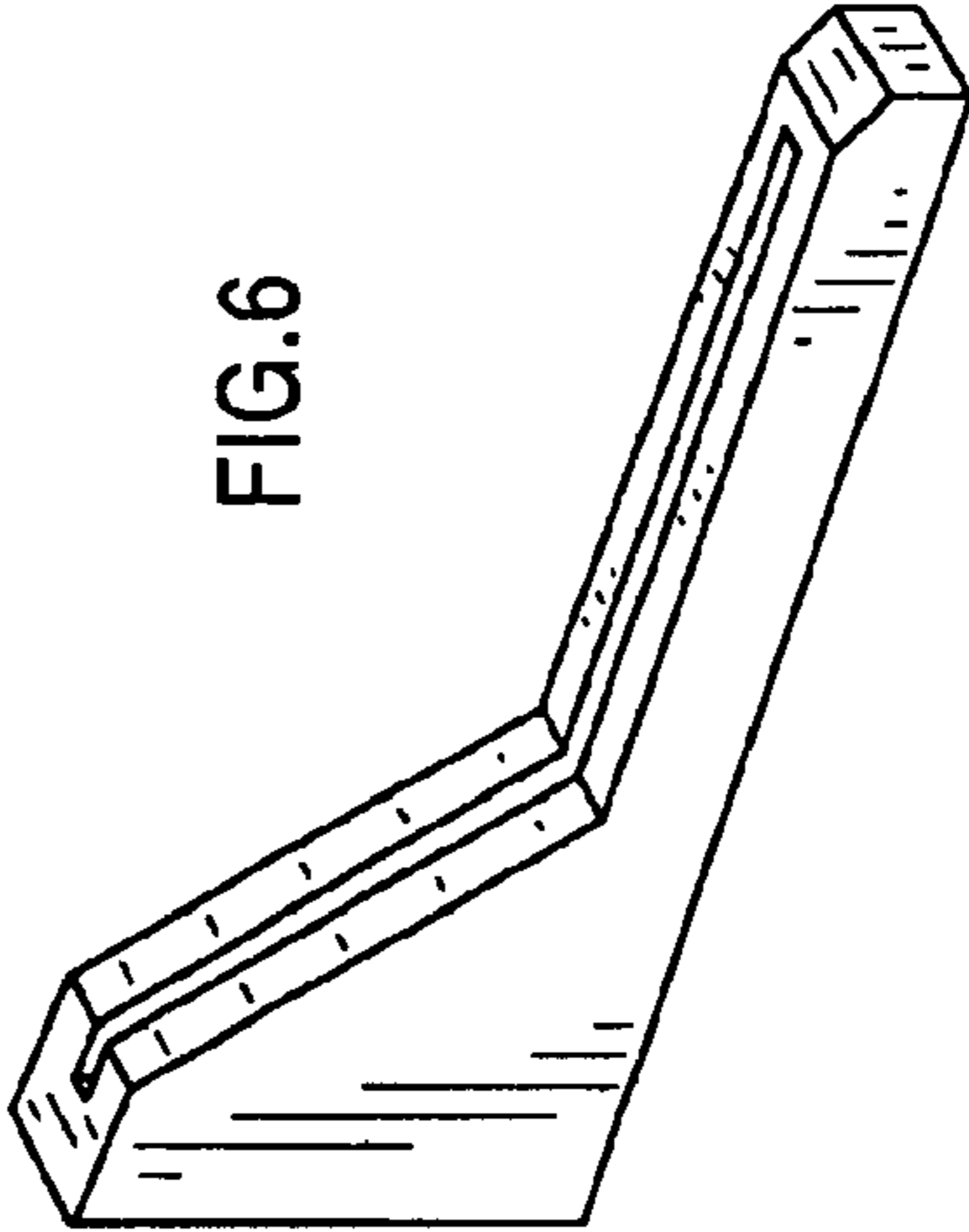


FIG. 6

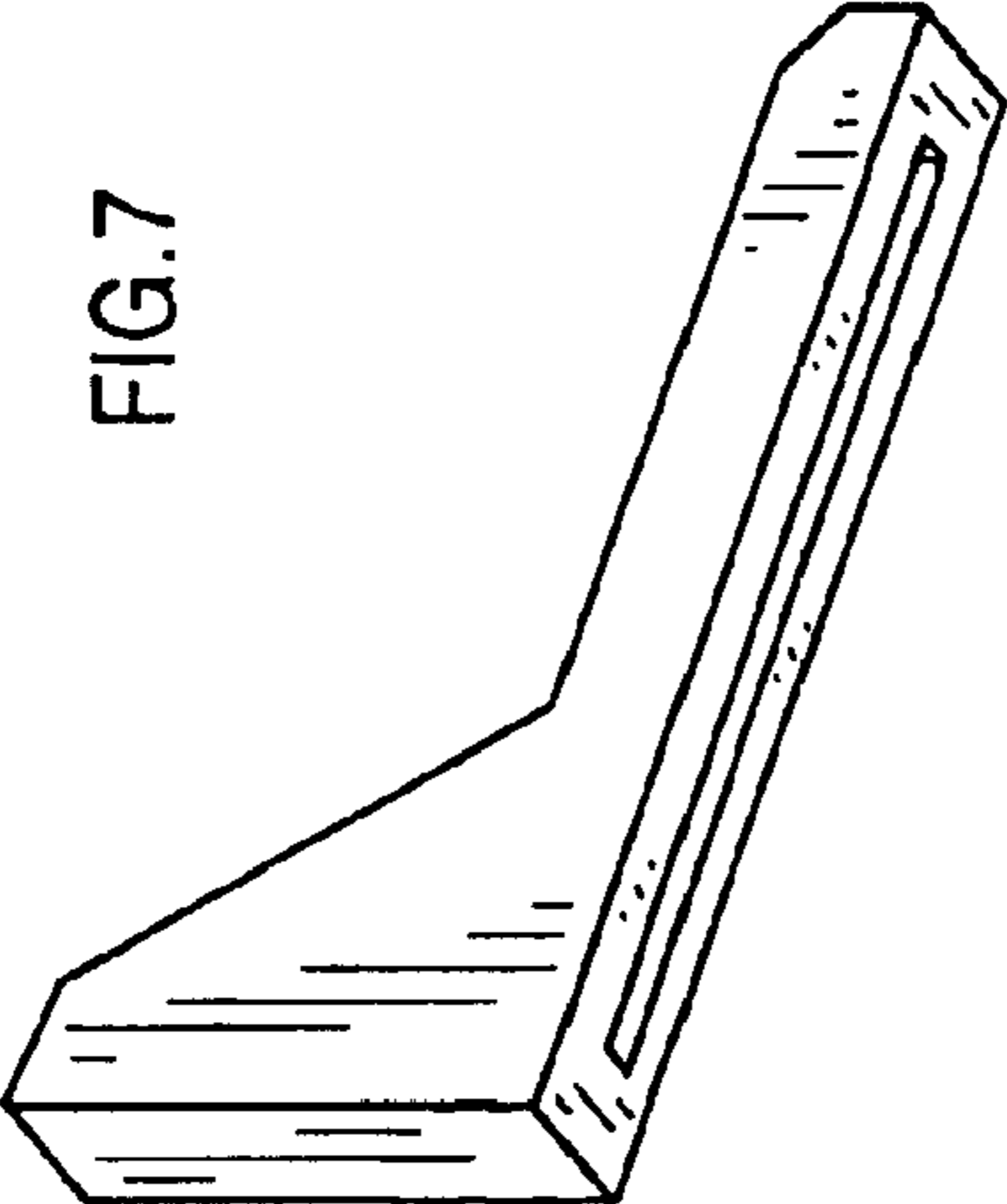


FIG. 7