



US00D506653S

(12) **United States Design Patent**  
**Elsworthy**

(10) **Patent No.:** **US D506,653 S**  
(45) **Date of Patent:** **\*\* Jun. 28, 2005**

(54) **HEDGE TRIMMER**

(75) **Inventor:** **Christopher Thomas Elsworthy,**  
Cheltenham (GB)

(73) **Assignee:** **Grey Technology Limited,** Worcester  
(GB)

(\*\*) **Term:** **14 Years**

(21) **Appl. No.:** **29/210,209**

(22) **Filed:** **Jul. 29, 2004**

(30) **Foreign Application Priority Data**

Feb. 5, 2004 (GB) ..... 3016072

(51) **LOC (8) Cl.** ..... **08-01**

(52) **U.S. Cl.** ..... **D8/8**

(58) **Field of Search** ..... D8/8; 56/12.7;  
30/276

(56) **References Cited**

**U.S. PATENT DOCUMENTS**

D347,772 S \* 6/1994 Kiyooka et al. .... D8/8  
D356,013 S \* 3/1995 Kiyooka et al. .... D8/8

D361,481 S \* 8/1995 Rees et al. .... D8/8  
D389,707 S \* 1/1998 Ohi et al. .... D8/8  
D468,600 S \* 1/2003 Evans ..... D8/8

\* cited by examiner

*Primary Examiner*—Holly Baynham

(74) *Attorney, Agent, or Firm*—Shook, Hardy & Bacon

(57) **CLAIM**

The ornamental design for a hedge trimmer, as shown.

**DESCRIPTION**

FIG. 1 is a bottom view of a hedge trimmer showing my new design;

FIG. 2 is a top plan view thereof;

FIG. 3 is a view from one side thereof;

FIG. 4 is a view from an opposite side thereof;

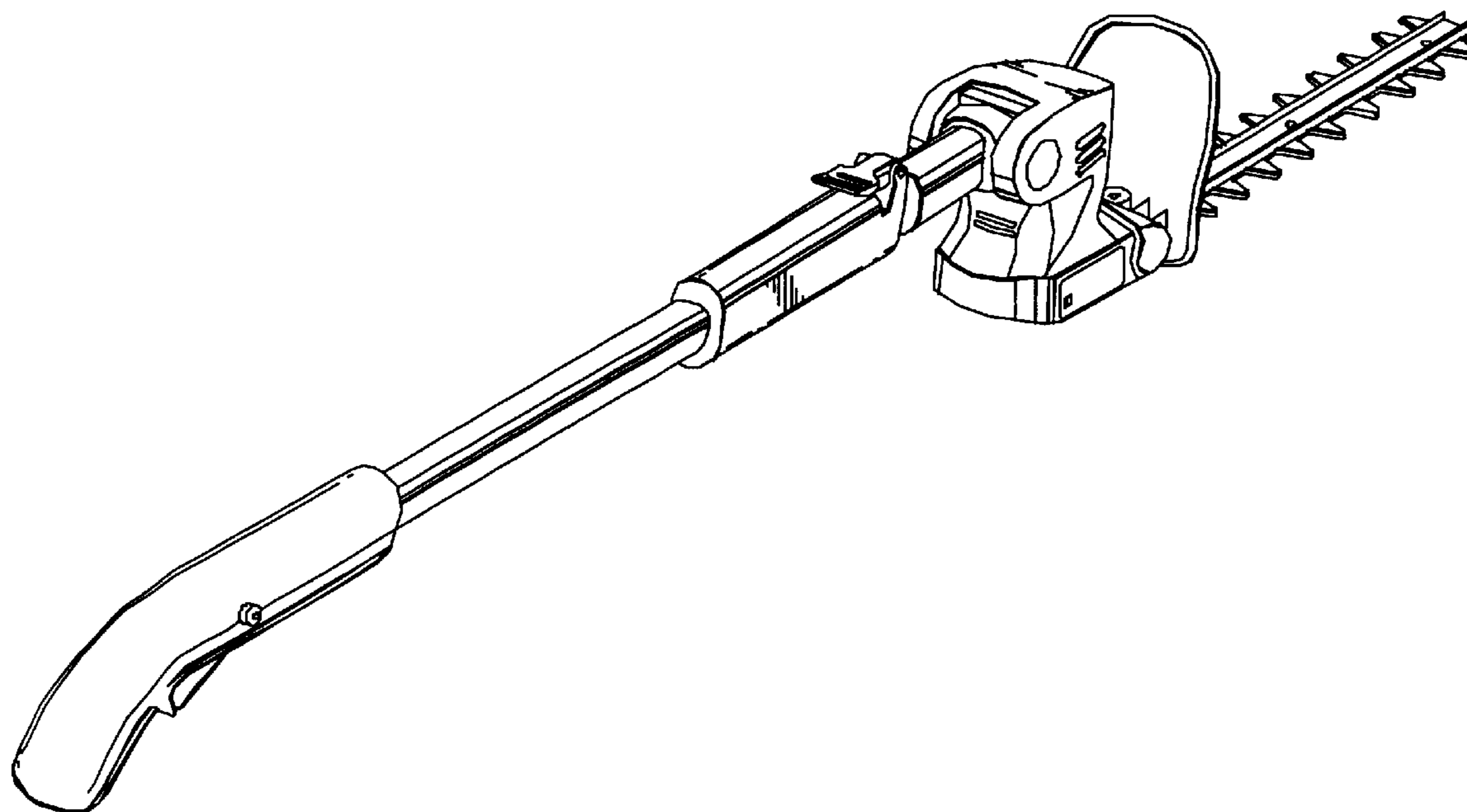
FIG. 5 is a perspective view from the rear and one side thereof;

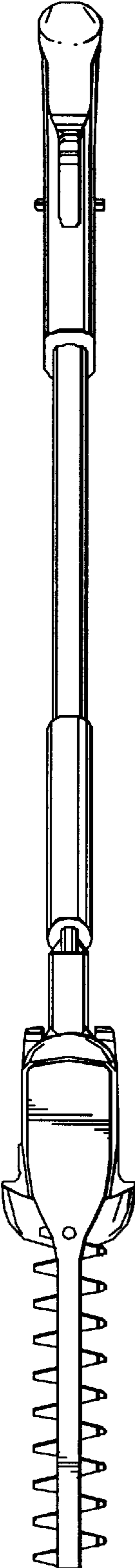
FIG. 6 is perspective view from the front and an opposite side thereof;

FIG. 7 is an enlarged front view thereof; and,

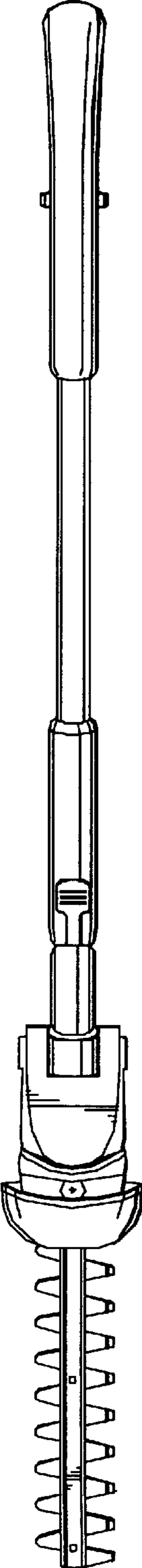
FIG. 8 is an enlarged rear view thereof.

**1 Claim, 4 Drawing Sheets**

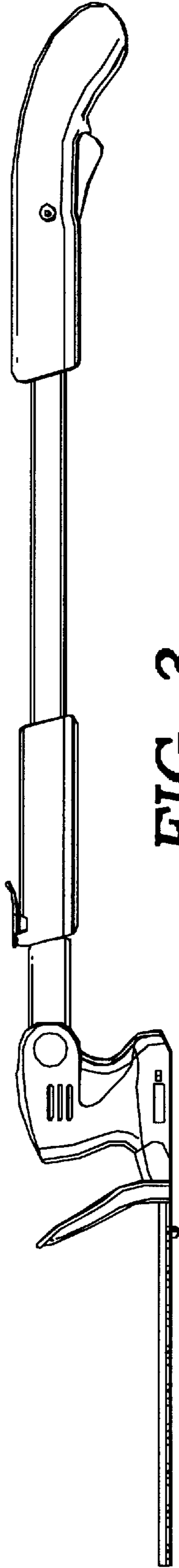




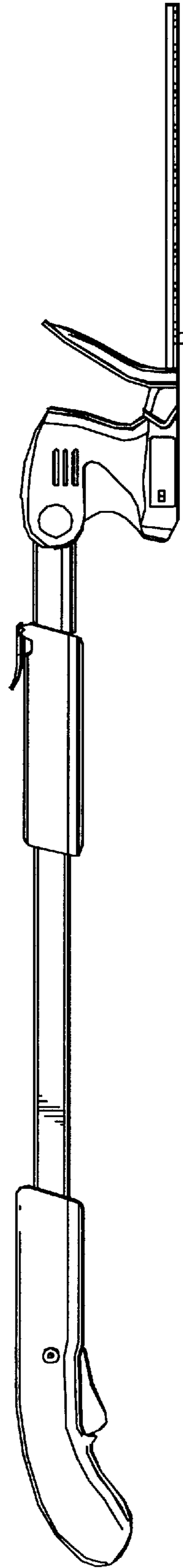
**FIG. 1.**



**FIG. 2.**



**FIG. 3.**



**FIG. 4.**

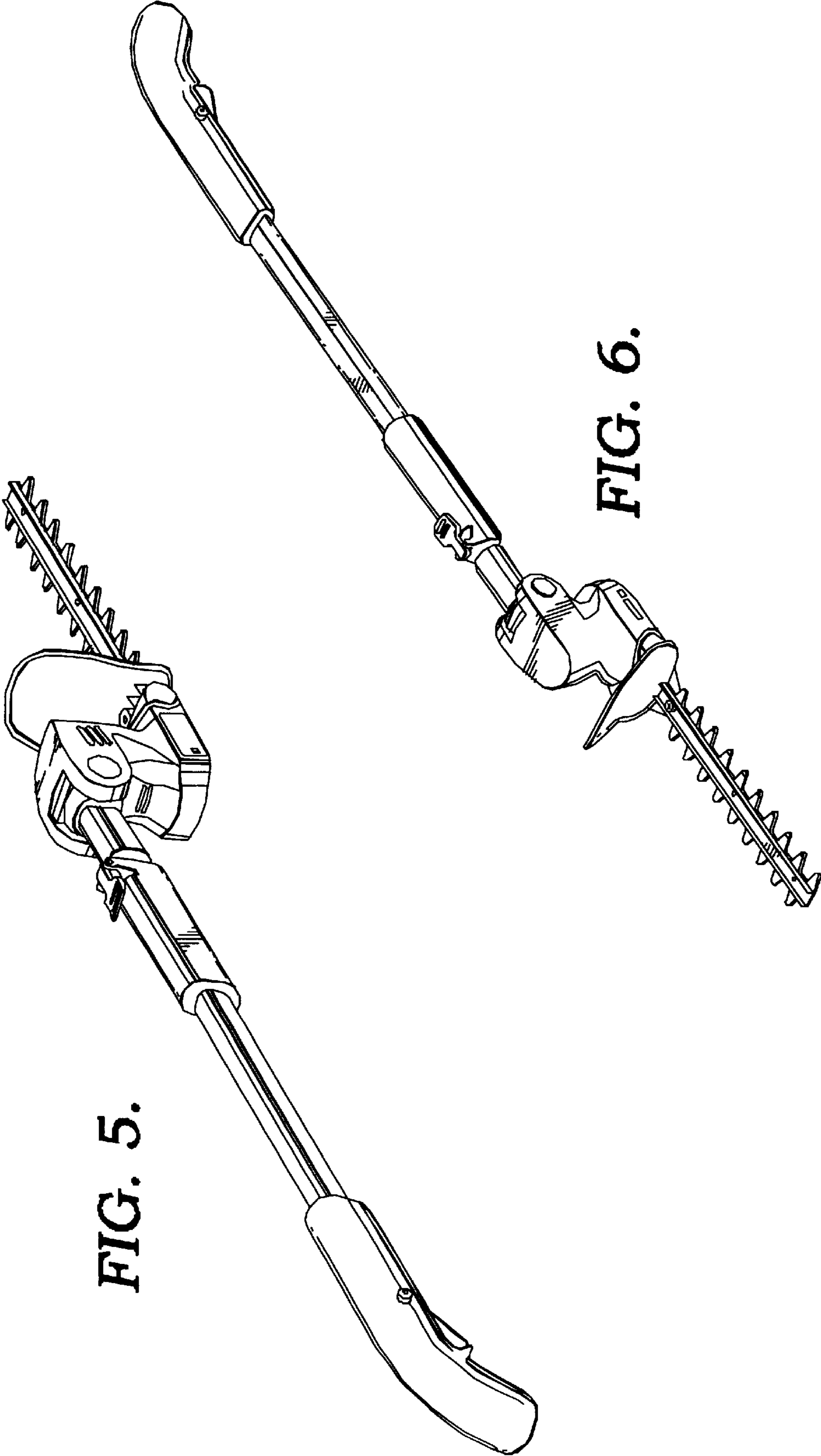
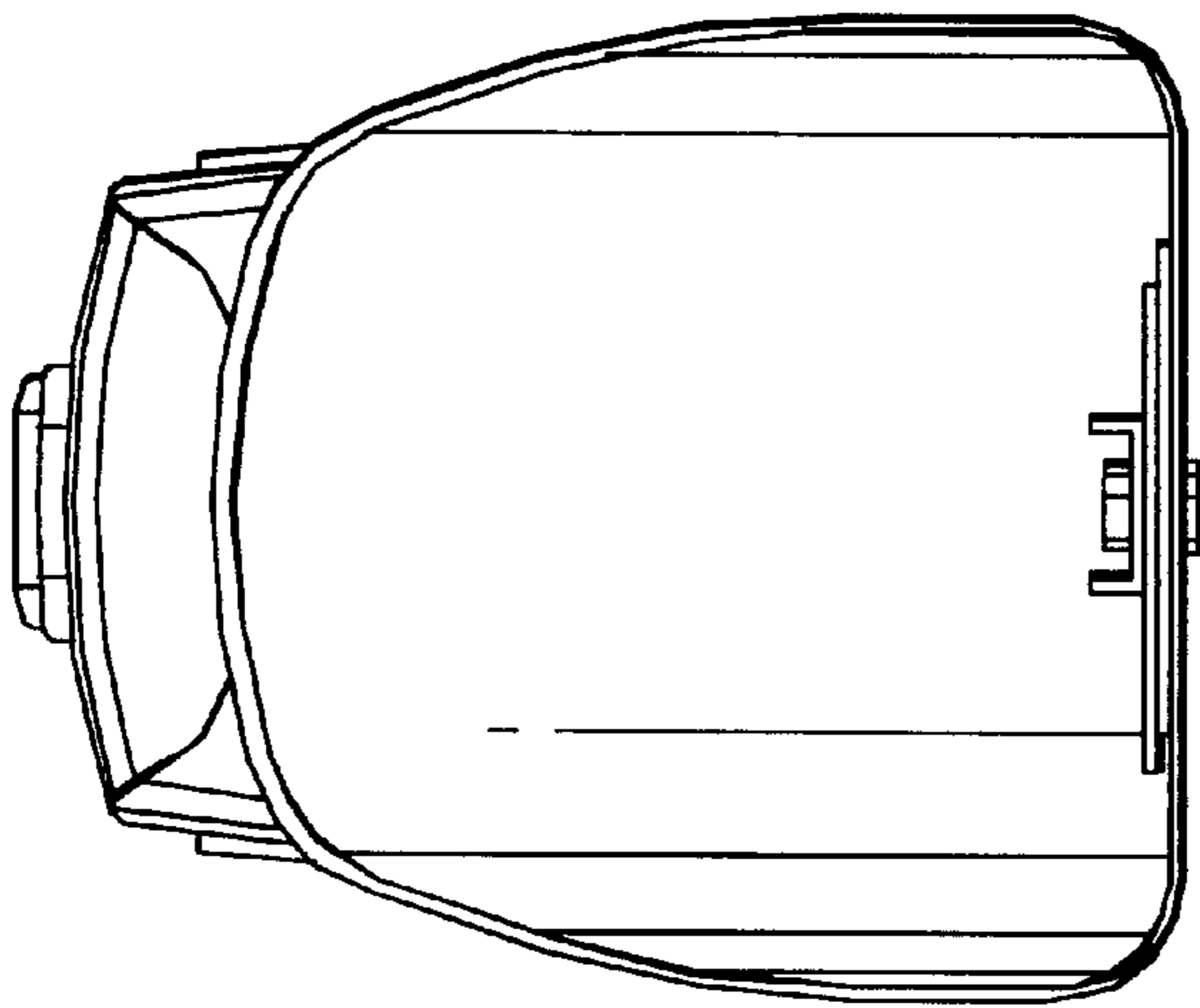
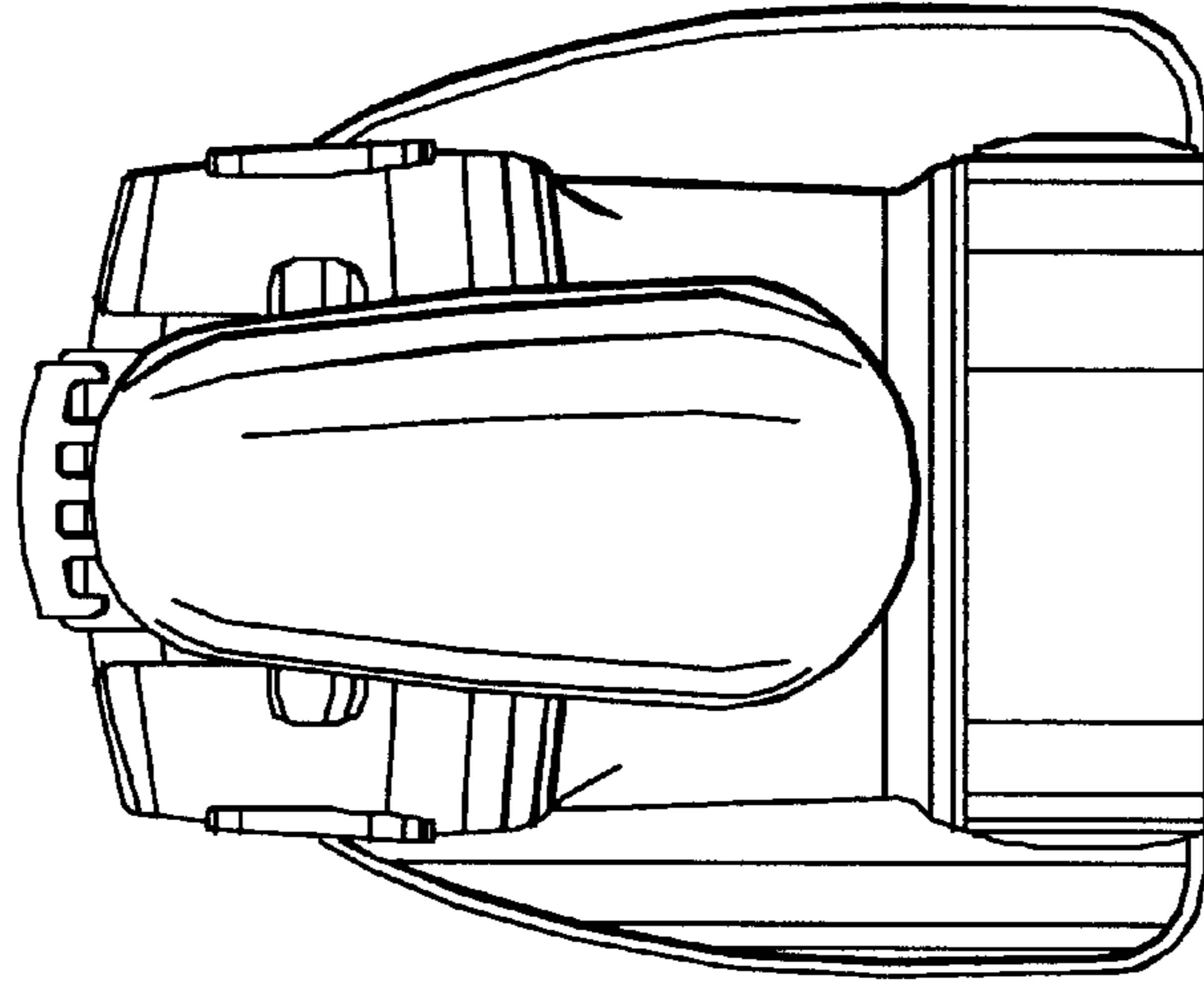


FIG. 5.

FIG. 6.



**FIG. 7.**



**FIG. 8.**