

US00D506649S

(12) **United States Design Patent**
Muro

(10) **Patent No.:** **US D506,649 S**
(45) **Date of Patent:** **** Jun. 28, 2005**

(54) **PEELING MACHINE**

D465,137 S * 11/2002 Wong D7/693

(75) **Inventor:** **Giichiro Muro**, Tokyo (JP)

* cited by examiner

(73) **Assignee:** **Muro Corporation**, Tokyo (JP)

Primary Examiner—Terry A. Wallace
(74) *Attorney, Agent, or Firm*—Oblon, Spivak, McClelland,
Maier & Neustadt, P.C.

(**) **Term:** **14 Years**

(57) **CLAIM**

(21) **Appl. No.:** **29/204,023**

The ornamental design for a peeling machine, as shown and described.

(22) **Filed:** **Apr. 23, 2004**

(30) **Foreign Application Priority Data**

DESCRIPTION

Oct. 24, 2003 (JP) 2003-031525

(51) **LOC (8) Cl.** **07-04**

(52) **U.S. Cl.** **D7/693**

(58) **Field of Search** D7/693, 672, 673;
99/537-541, 584, 588-599

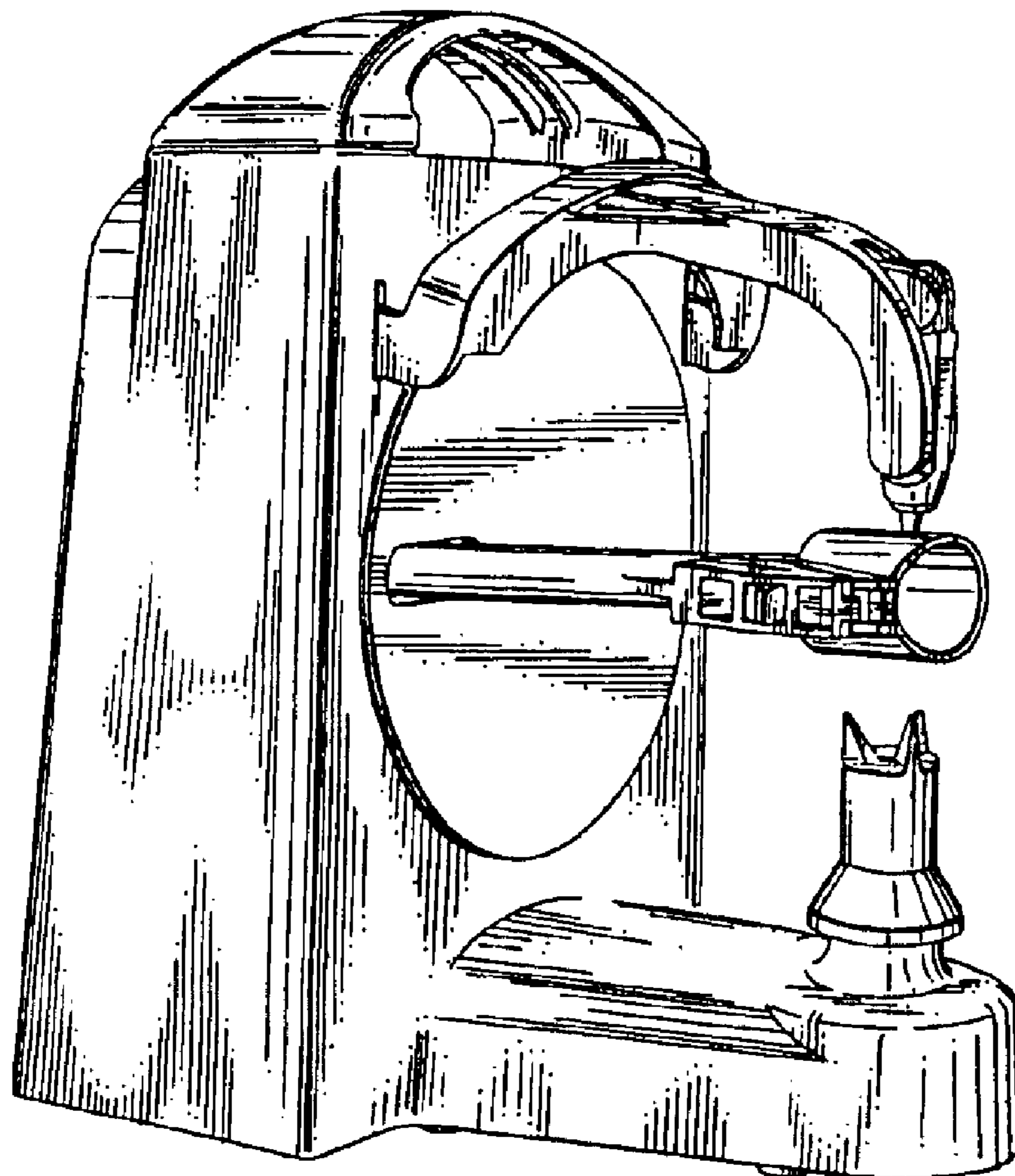
FIG. 1 is a front elevational view of a peeling machine, showing my design;
FIG. 2 is a rear elevational view thereof;
FIG. 3 is a top plan view thereof;
FIG. 4 is a bottom plan view thereof;
FIG. 5 is a right side elevational view thereof;
FIG. 6 is a left side elevational view thereof;
FIG. 7 is a front and left side view thereof; and,
FIG. 8 is a rear and right side view thereof.

(56) **References Cited**

U.S. PATENT DOCUMENTS

2,483,930 A * 10/1949 William 99/596
5,957,045 A * 9/1999 He et al. 99/541

1 Claim, 4 Drawing Sheets



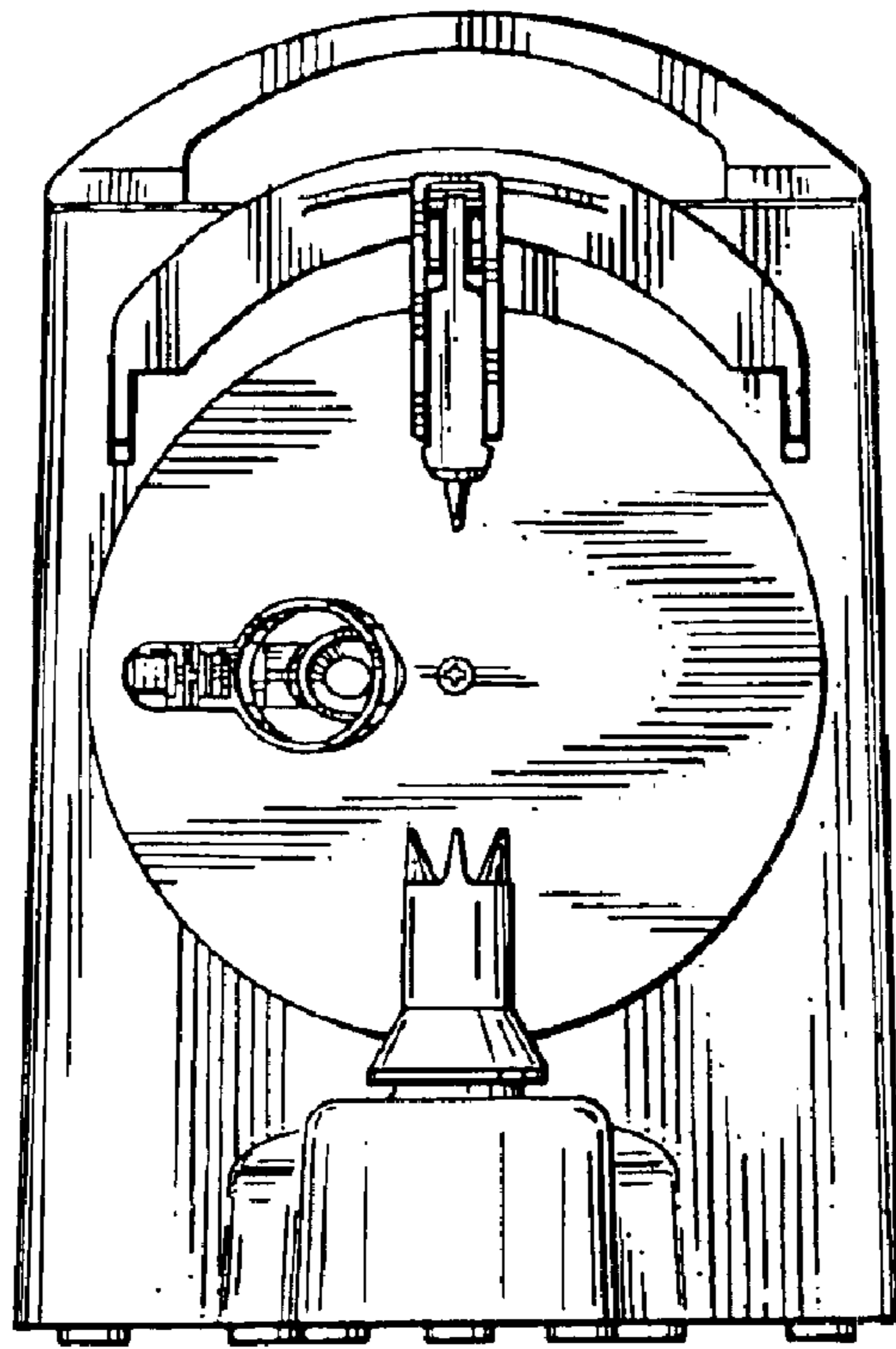


FIG. 1

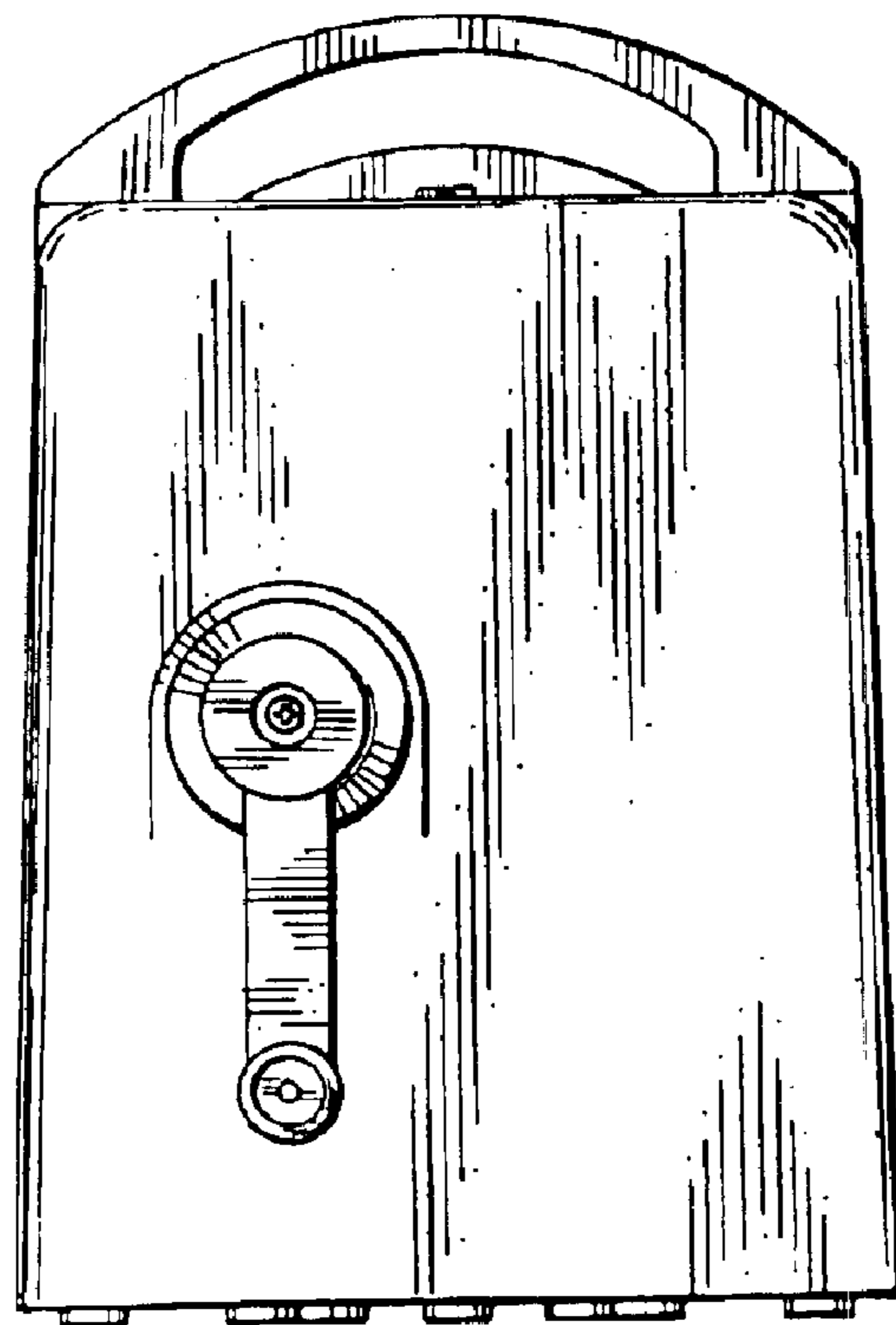


FIG. 2

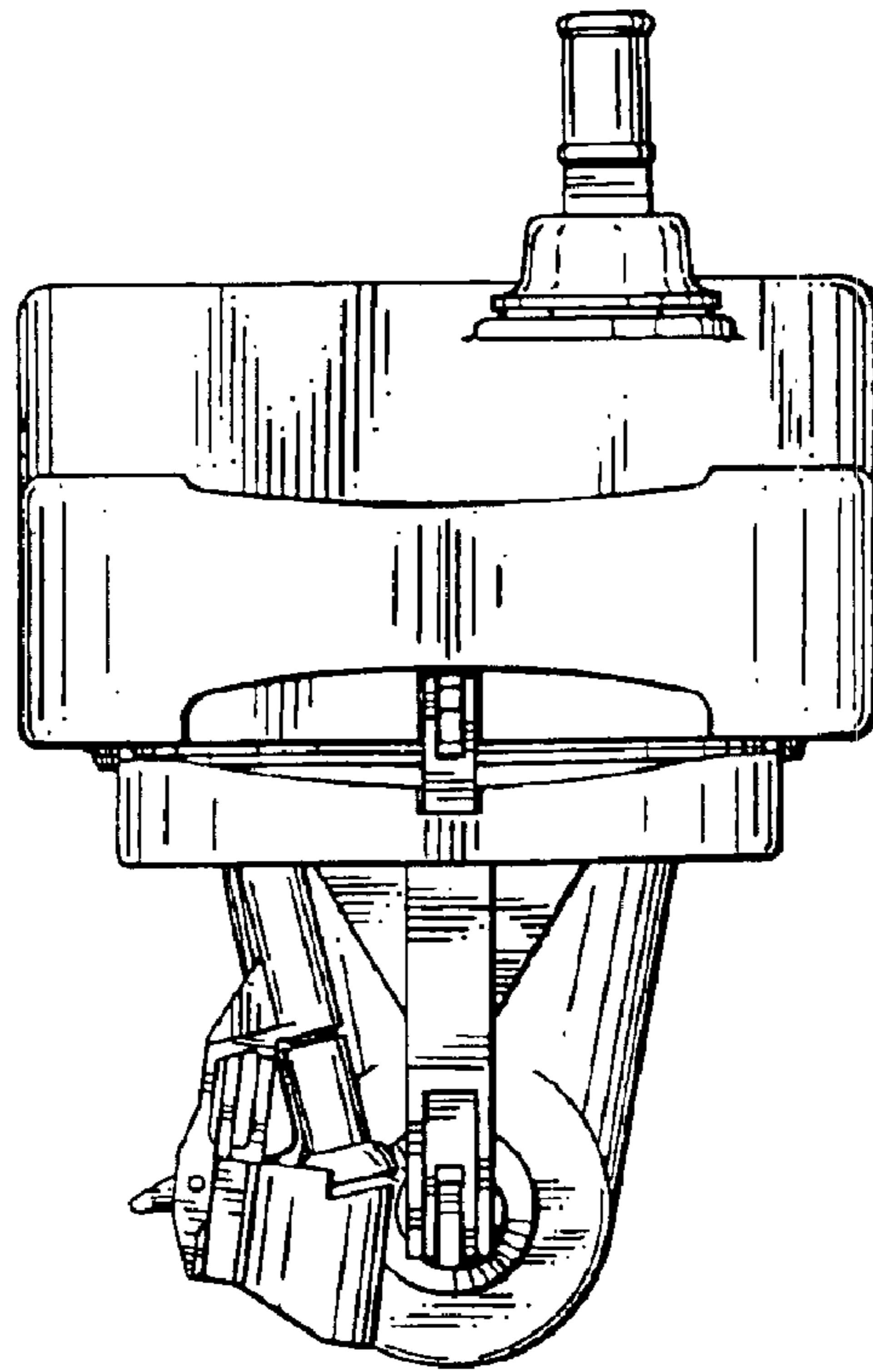


FIG. 3

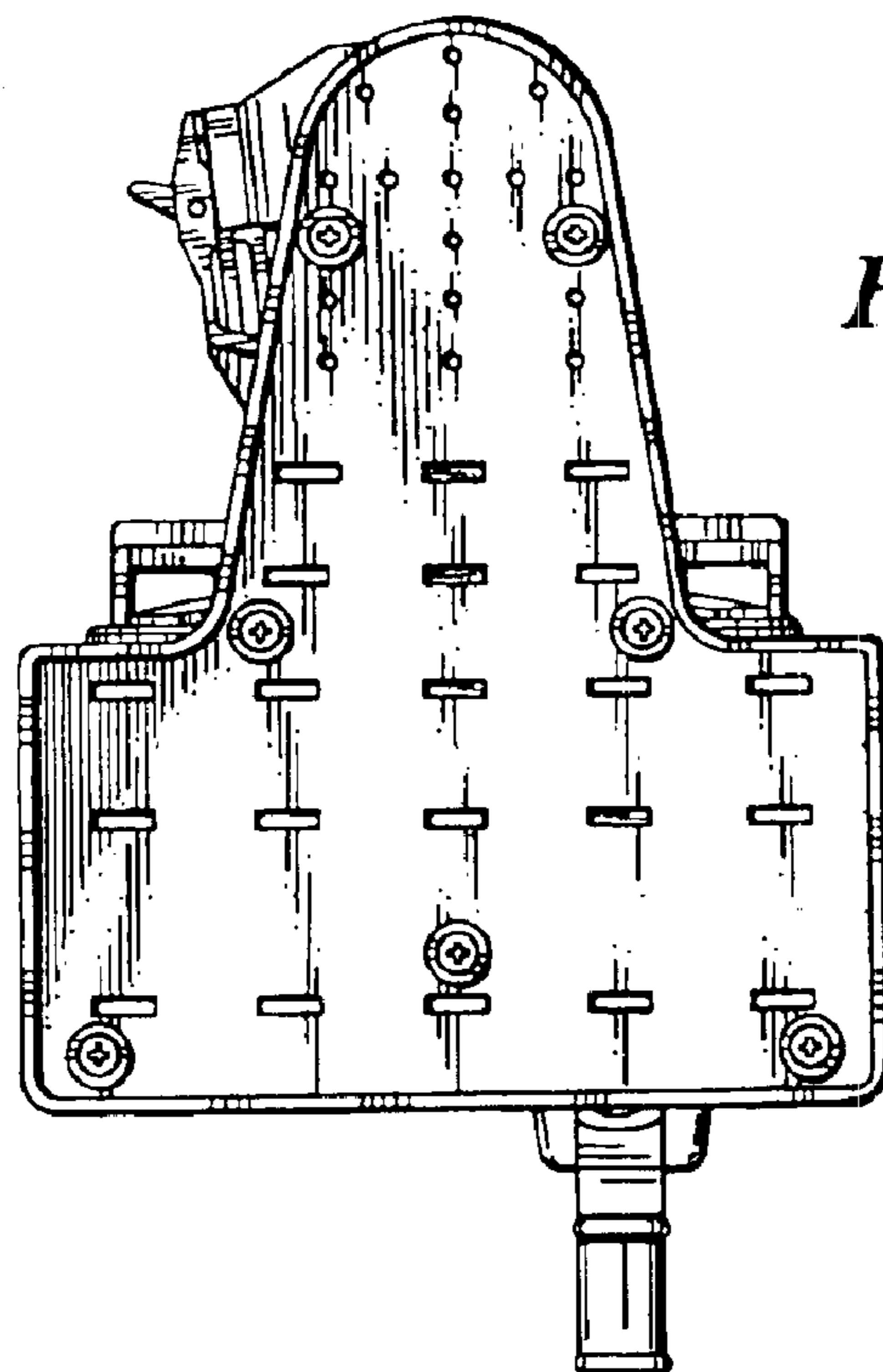


FIG. 4

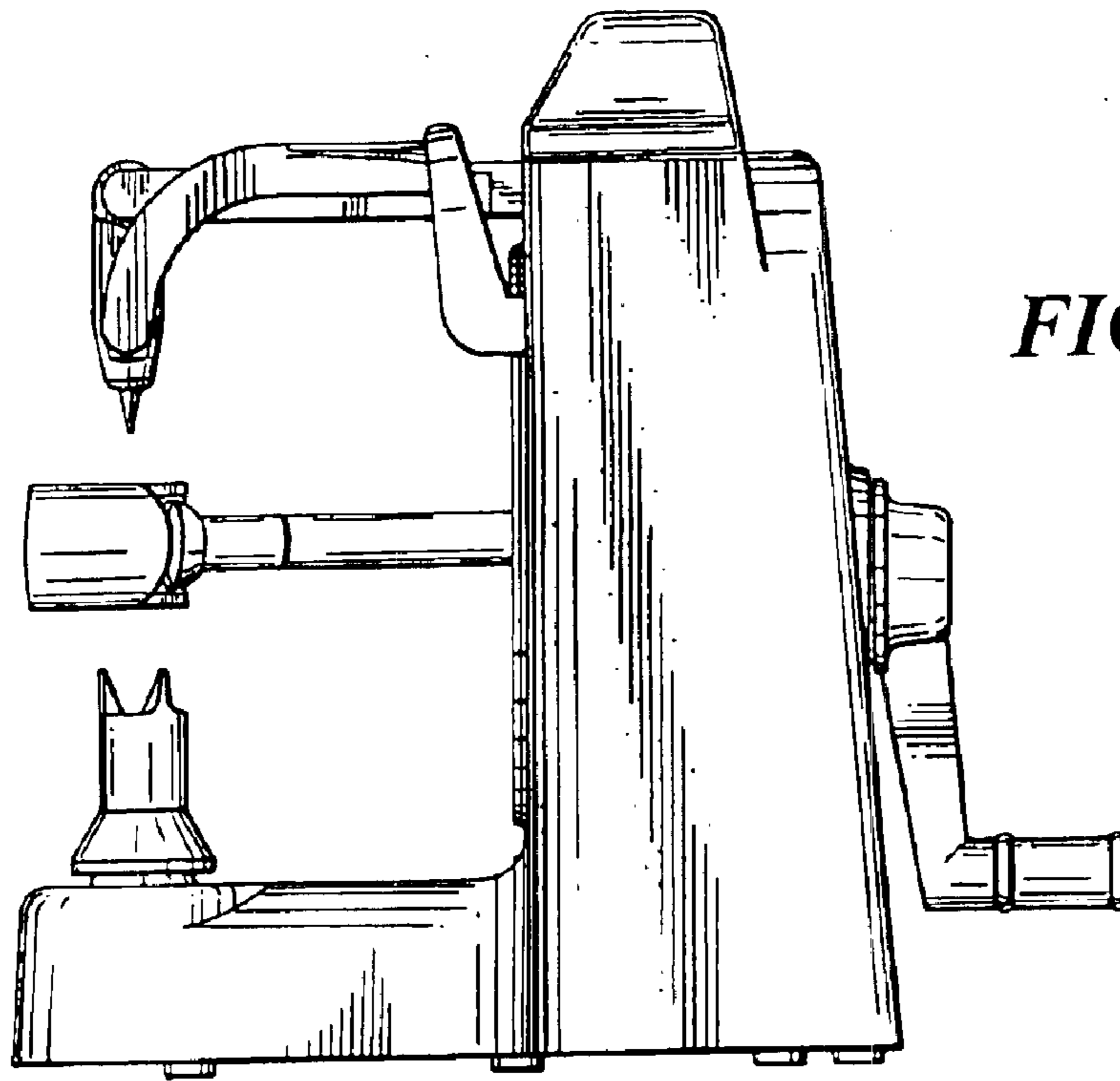


FIG. 5

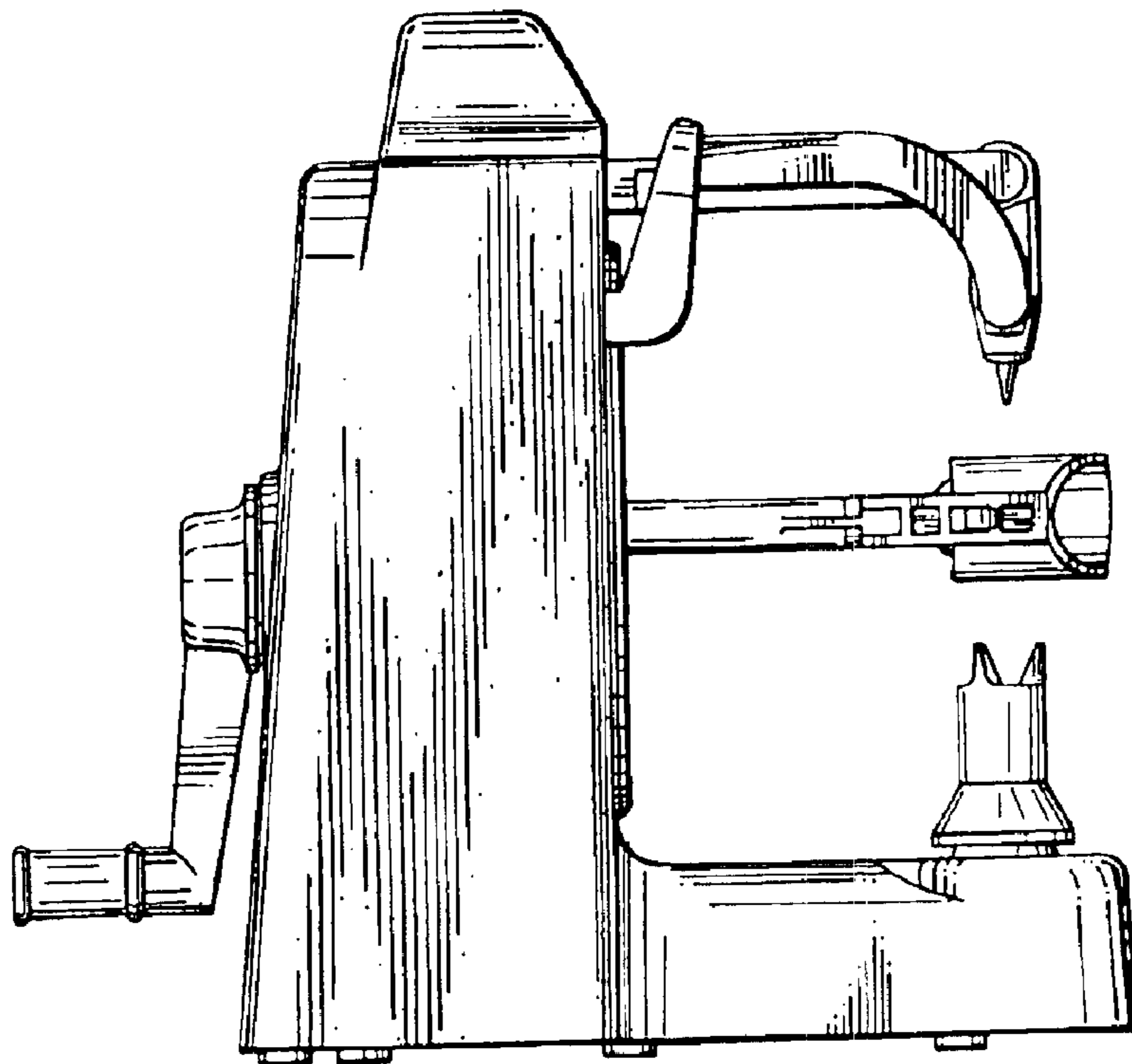


FIG. 6

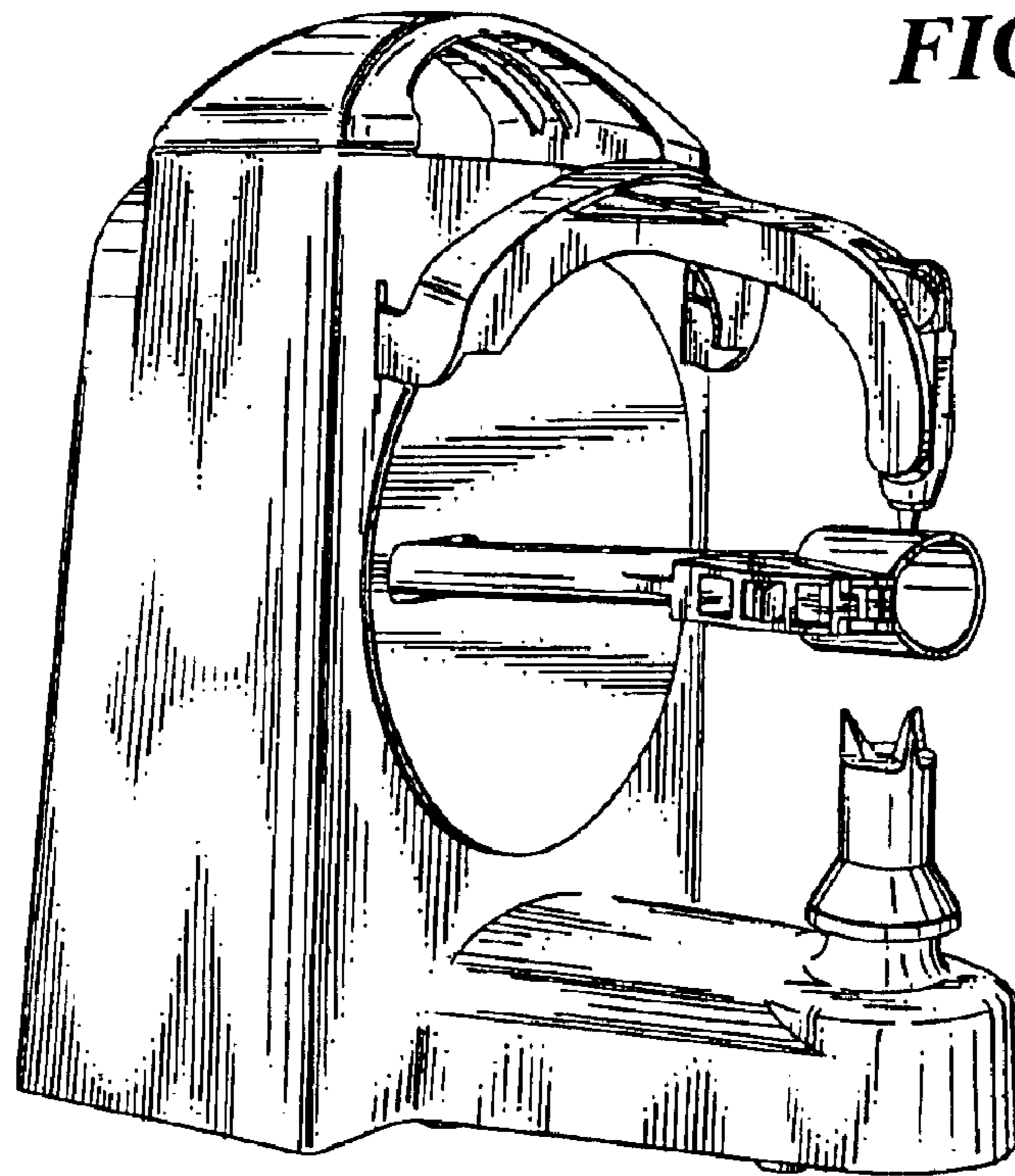


FIG. 7

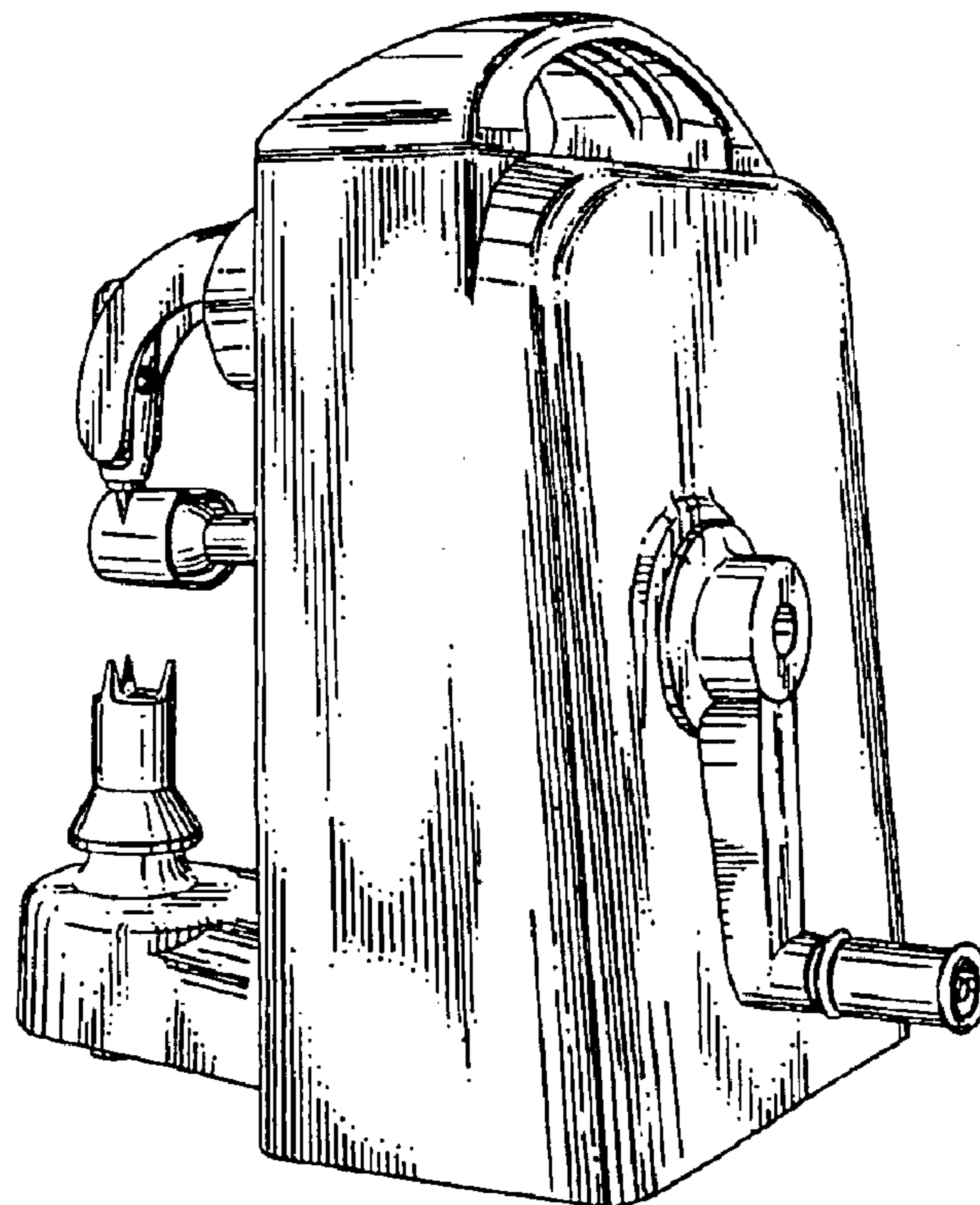


FIG. 8