

US00D506636S

(12) **United States Design Patent**
Schulte et al.

(10) **Patent No.: US D506,636 S**
(45) **Date of Patent: ** Jun. 28, 2005**

(54) **CAMPING STOVE**
(75) Inventors: **Clyde R. Schulte**, Wichita, KS (US);
Mitchell L. Wilgus, Andover, KS (US)
(73) Assignee: **The Coleman Company, Inc.**, Wichita,
KS (US)
(**) Term: **14 Years**

(21) Appl. No.: **29/192,046**
(22) Filed: **Oct. 17, 2003**

(51) **LOC (8) Cl.** **07-02**
(52) **U.S. Cl.** **D7/337**
(58) **Field of Search** D7/332-337, 402-405,
D7/393, 346-347, 339-340, 387; 126/25 R,
41 R, 37 R, 40, 9 R, 9 A, 9 B; 99/150,
419, 422; D8/300, 303, 306-307, 310-312,
315-317, 319-320

(56) **References Cited**

U.S. PATENT DOCUMENTS

D245,220 S	*	8/1977	Chan	D7/337
D251,893 S	*	5/1979	Chan	D7/337
D251,894 S	*	5/1979	Chan	D7/337
D253,218 S		10/1979	Johnson		
D276,303 S	*	11/1984	Chan	D7/337
D291,399 S	*	8/1987	Chan	D7/337
D334,108 S		3/1993	Fisher		
D347,548 S		6/1994	Boehm et al.		
D384,546 S		10/1997	Lin		
5,782,230 A		7/1998	Linnebur et al.		
D406,722 S	*	3/1999	Benton et al.	D7/362
D407,598 S		4/1999	Deni et al.		
D412,808 S		8/1999	Hinton et al.		

D427,480 S		7/2000	Brady		
D450,976 S	*	11/2001	Mosher	D7/337
D455,041 S		4/2002	Smith		
D464,843 S	*	10/2002	Schulte et al.	D7/337
D469,298 S	*	1/2003	Hinton et al.	D7/332
D472,757 S	*	4/2003	Schulte et al.	D7/334

* cited by examiner

Primary Examiner—Ruth McInroy
(74) *Attorney, Agent, or Firm*—Leydig, Voit & Mayer, Ltd.

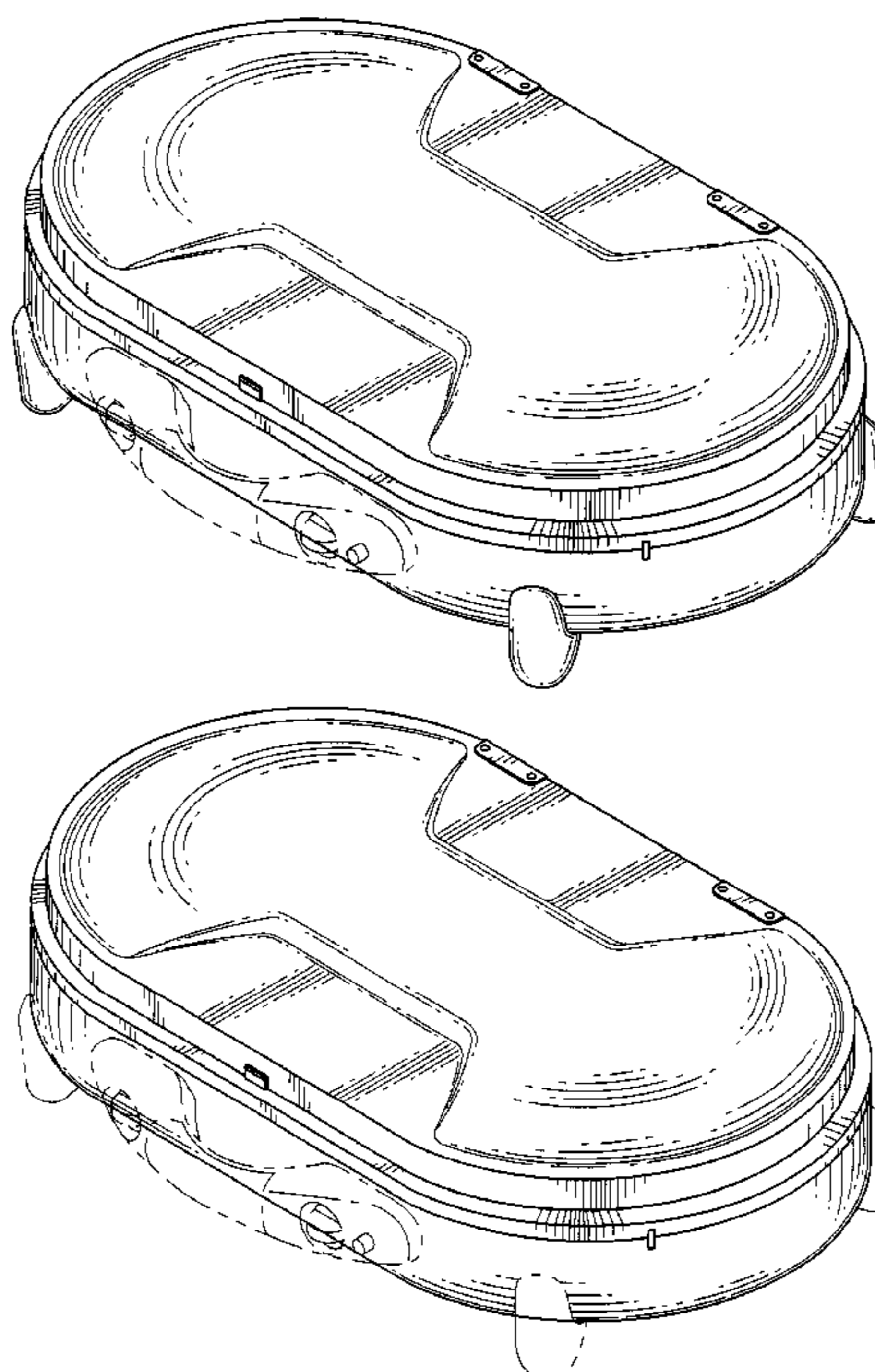
(57) **CLAIM**

The ornamental design for a camping stove, as shown and described.

DESCRIPTION

FIG. 1 is a top, right perspective view of a camping stove showing our new design;
FIG. 2 is a front view thereof;
FIG. 3 is a rear view thereof;
FIG. 4 is a right side view thereof;
FIG. 5 is a left side view thereof;
FIG. 6 is a top view thereof;
FIG. 7 is a bottom view thereof;
FIG. 8 is a top, right perspective view of a second embodiment thereof;
FIG. 9 is a front view thereof;
FIG. 10 is a rear view thereof;
FIG. 11 is a right side view thereof;
FIG. 12 is a left side view thereof;
FIG. 13 is a top view thereof; and,
FIG. 14 is a bottom view thereof.
The details shown in broken lines form no part of the claimed design.

1 Claim, 8 Drawing Sheets



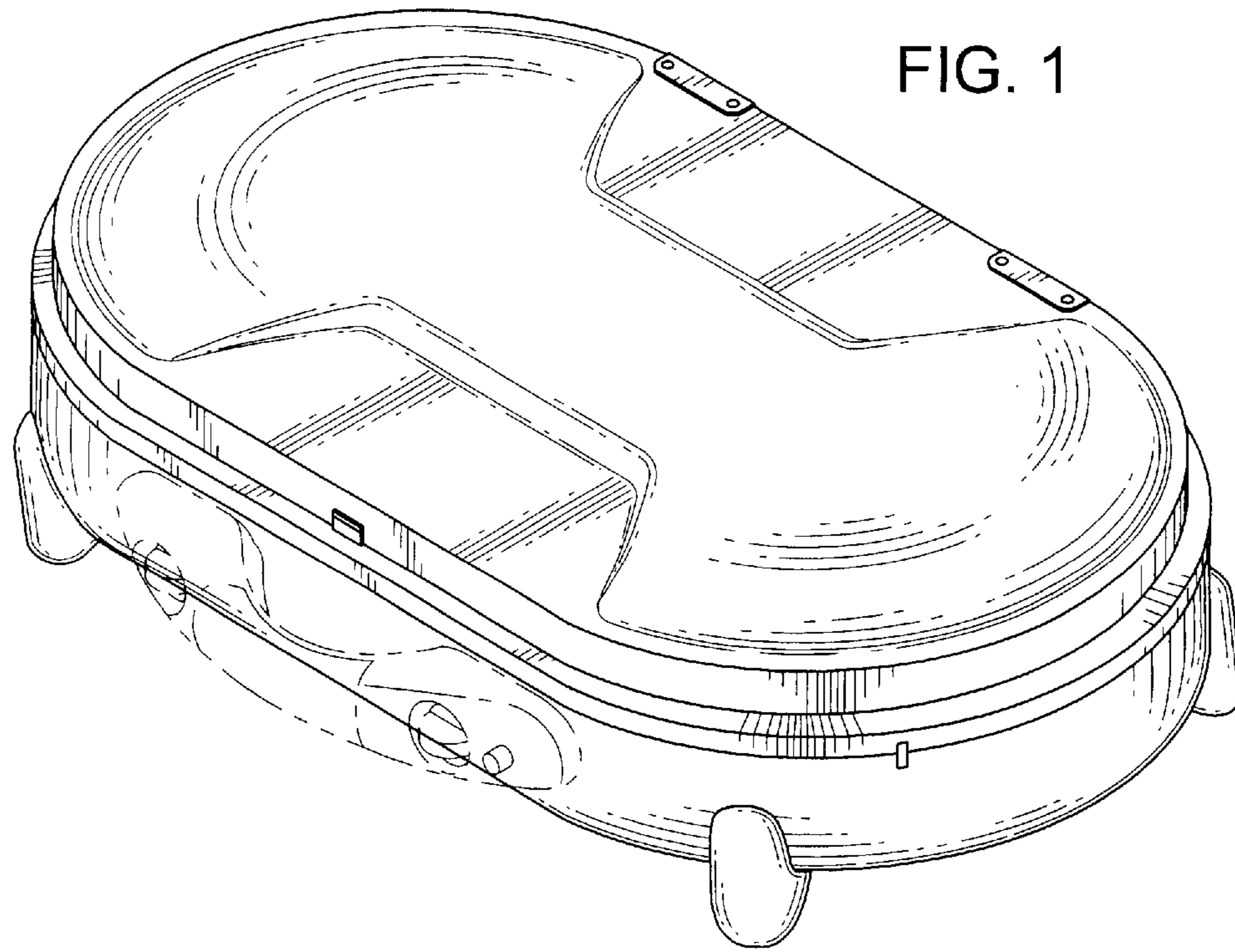


FIG. 2

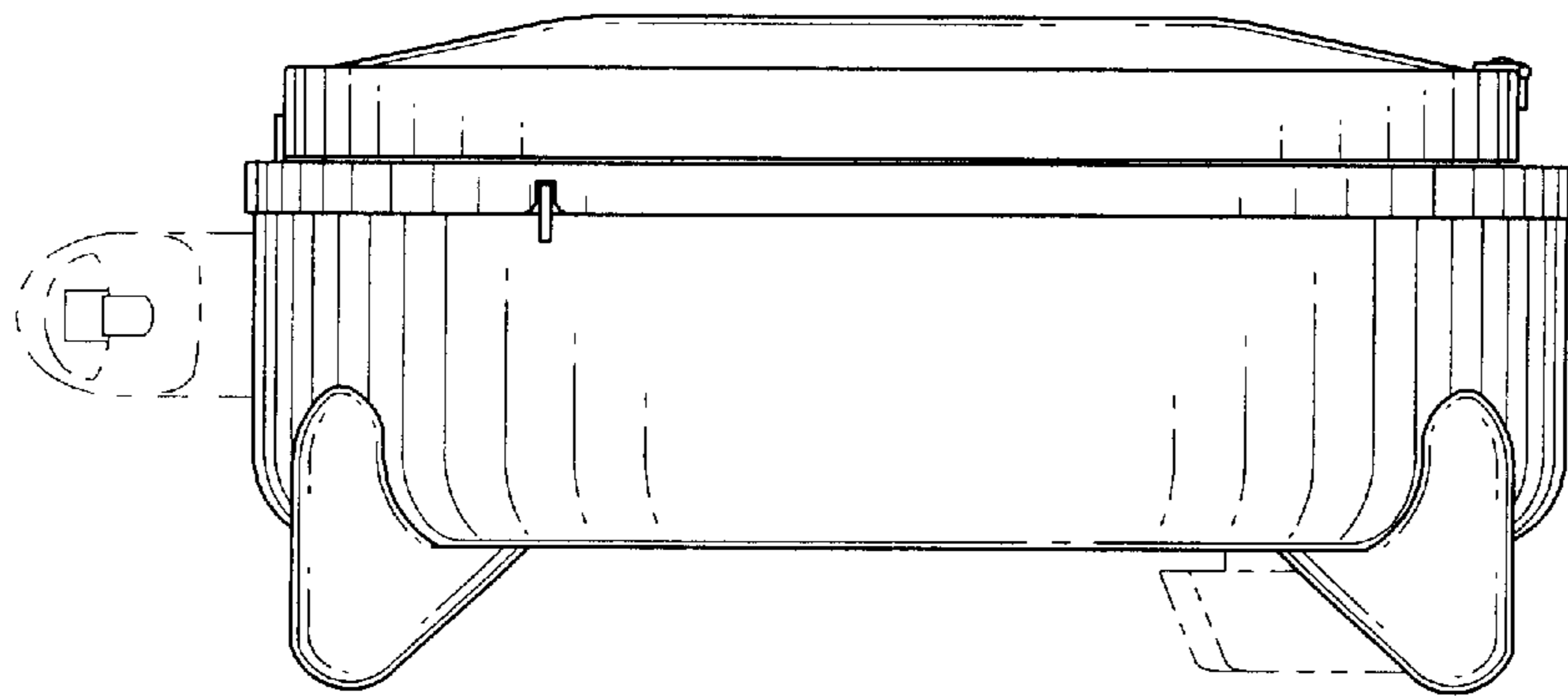


FIG. 3

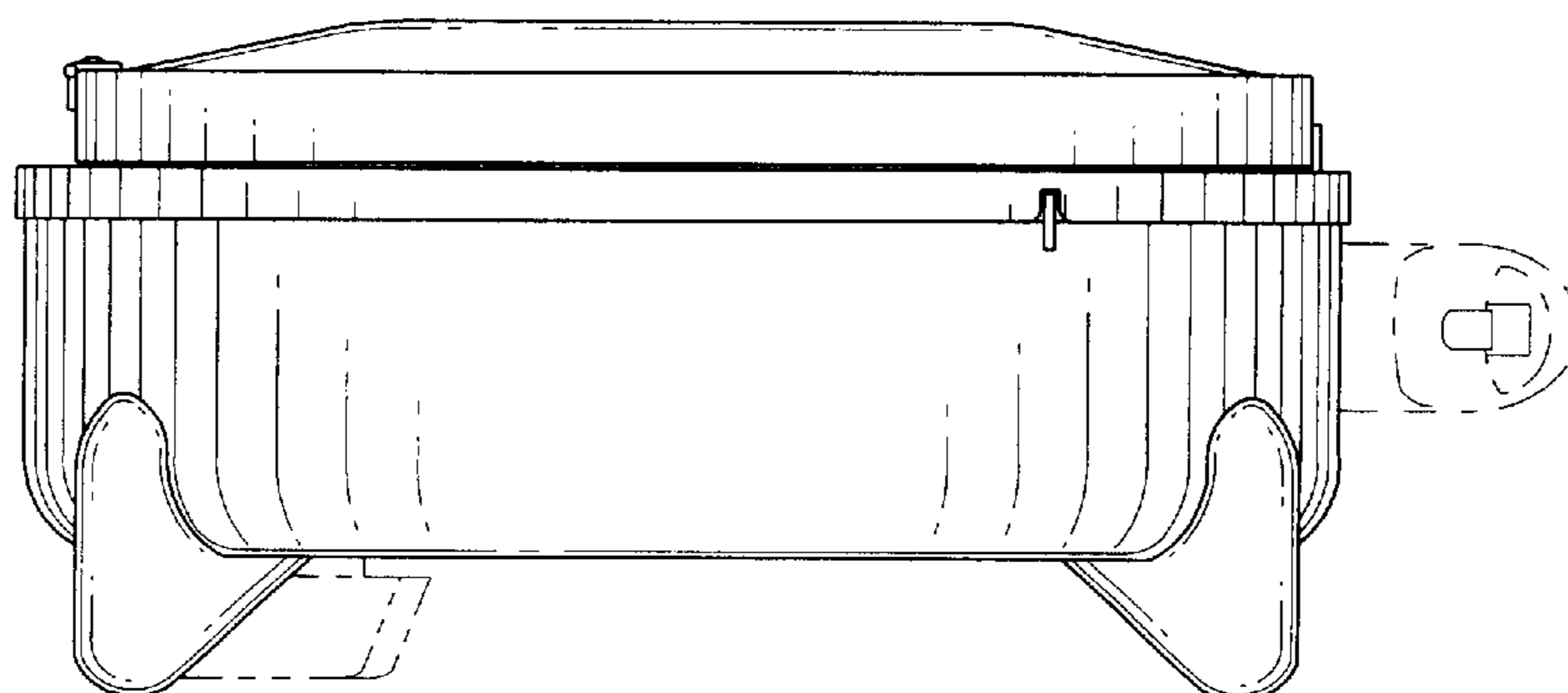


FIG. 4

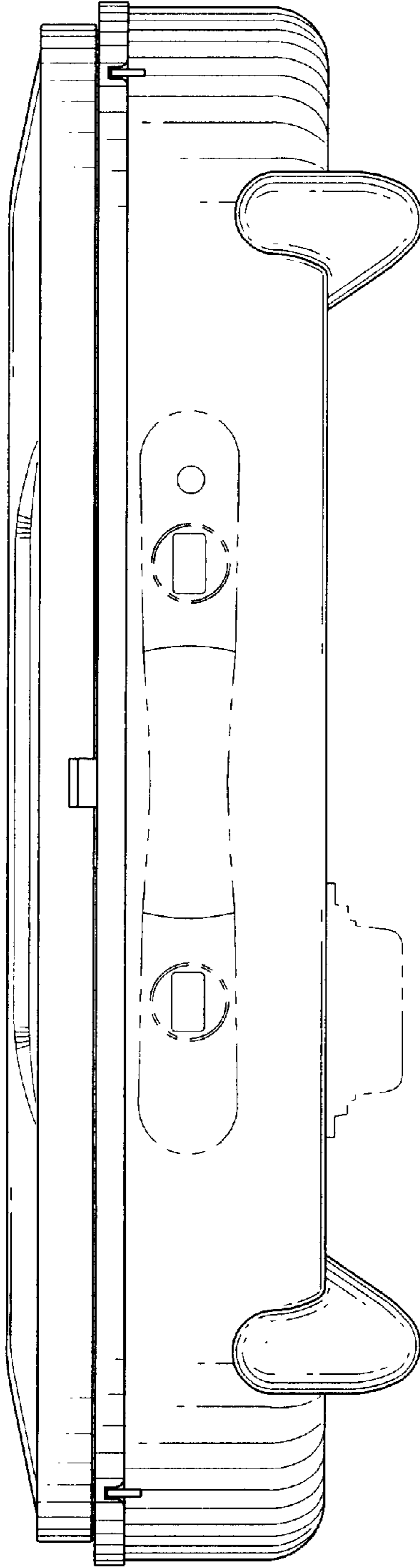


FIG. 5

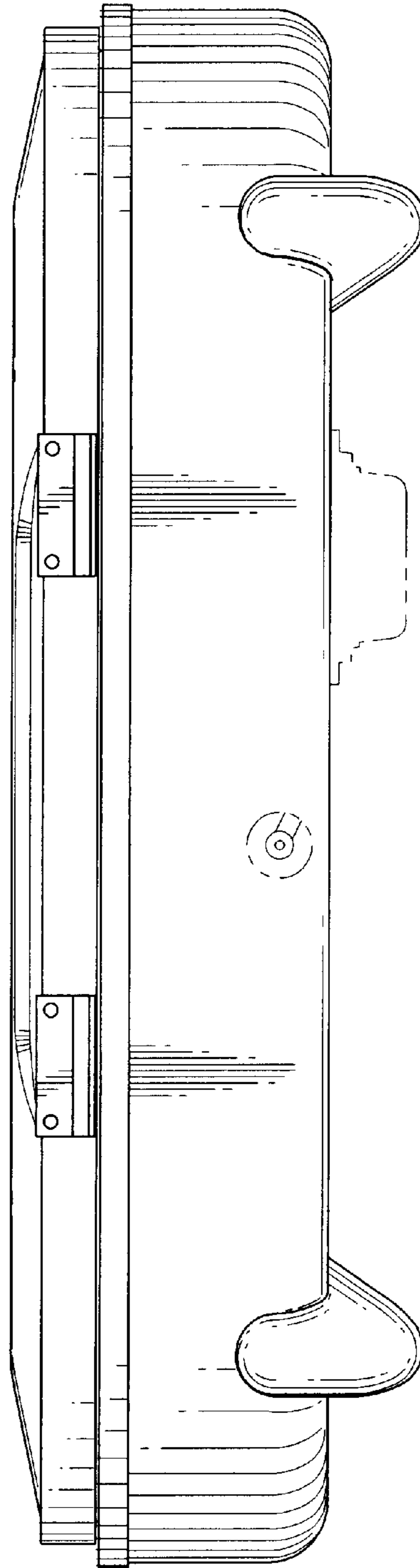
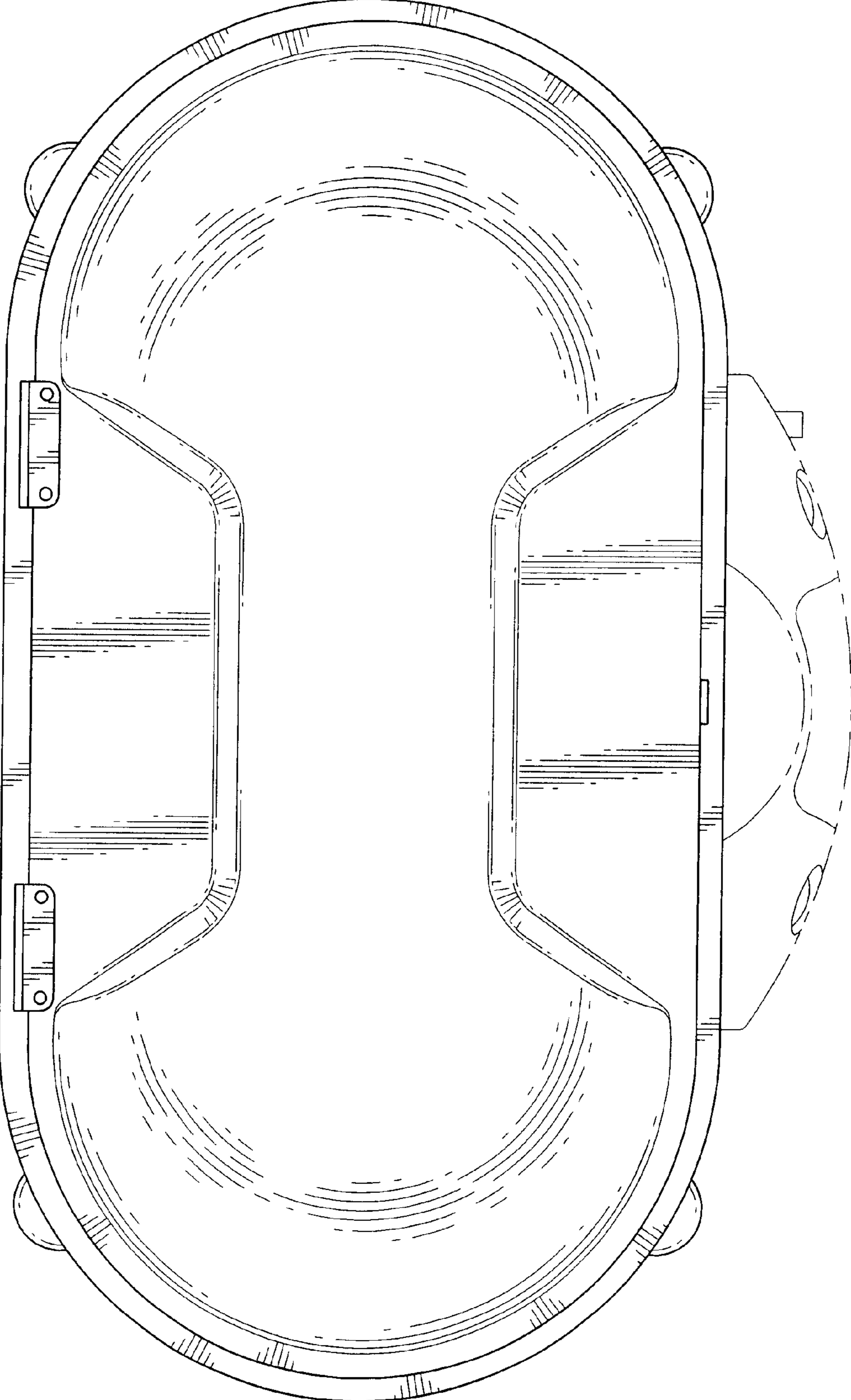


FIG. 6



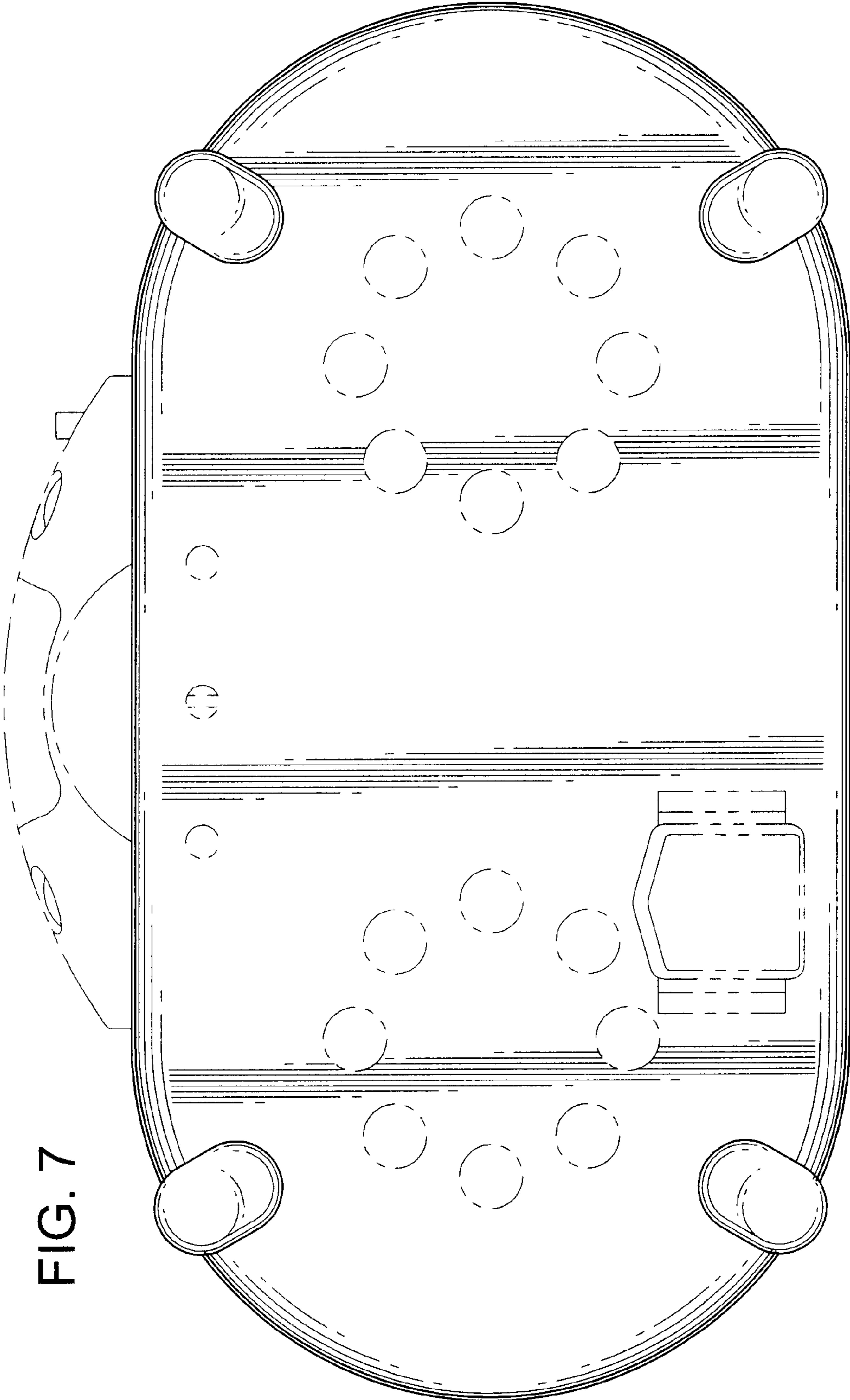


FIG. 7

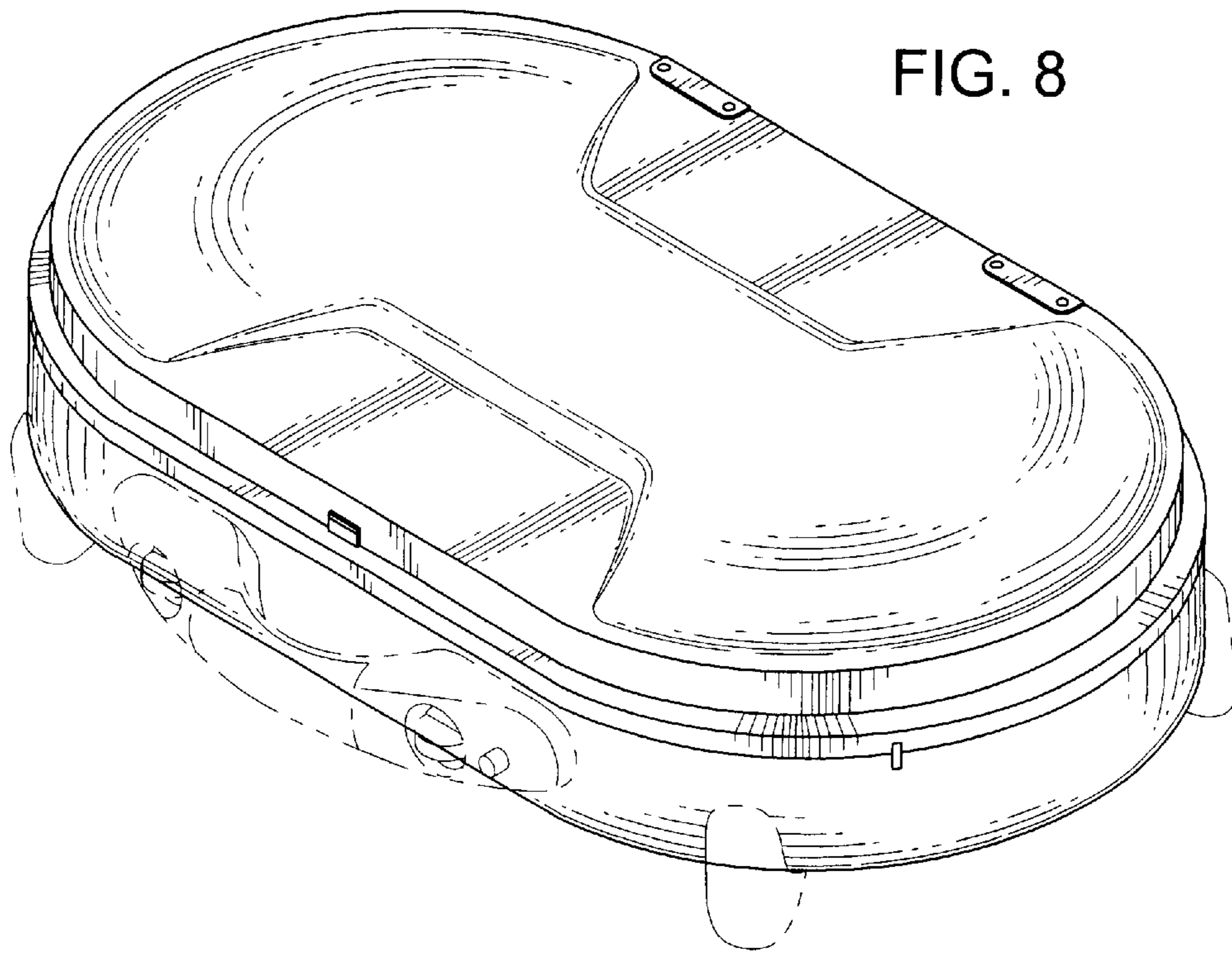


FIG. 9

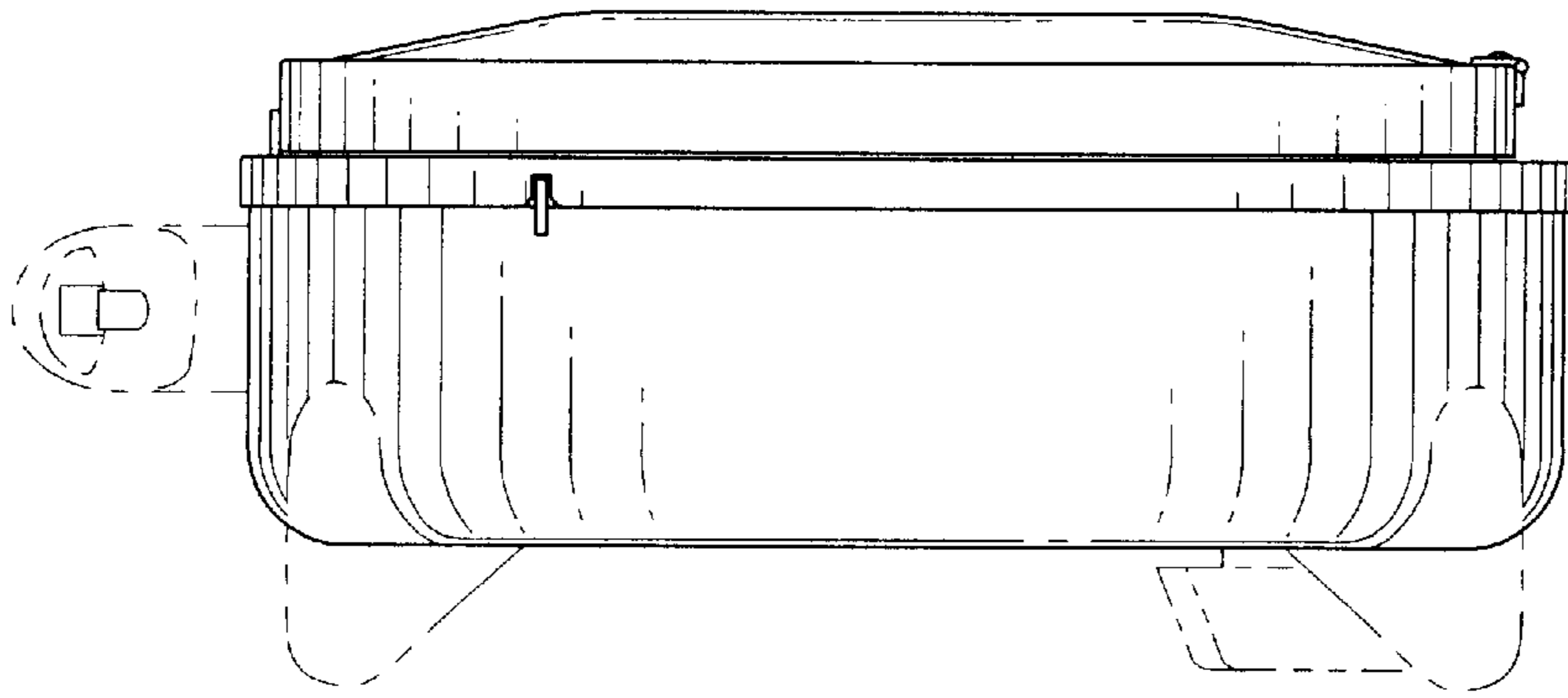


FIG. 10

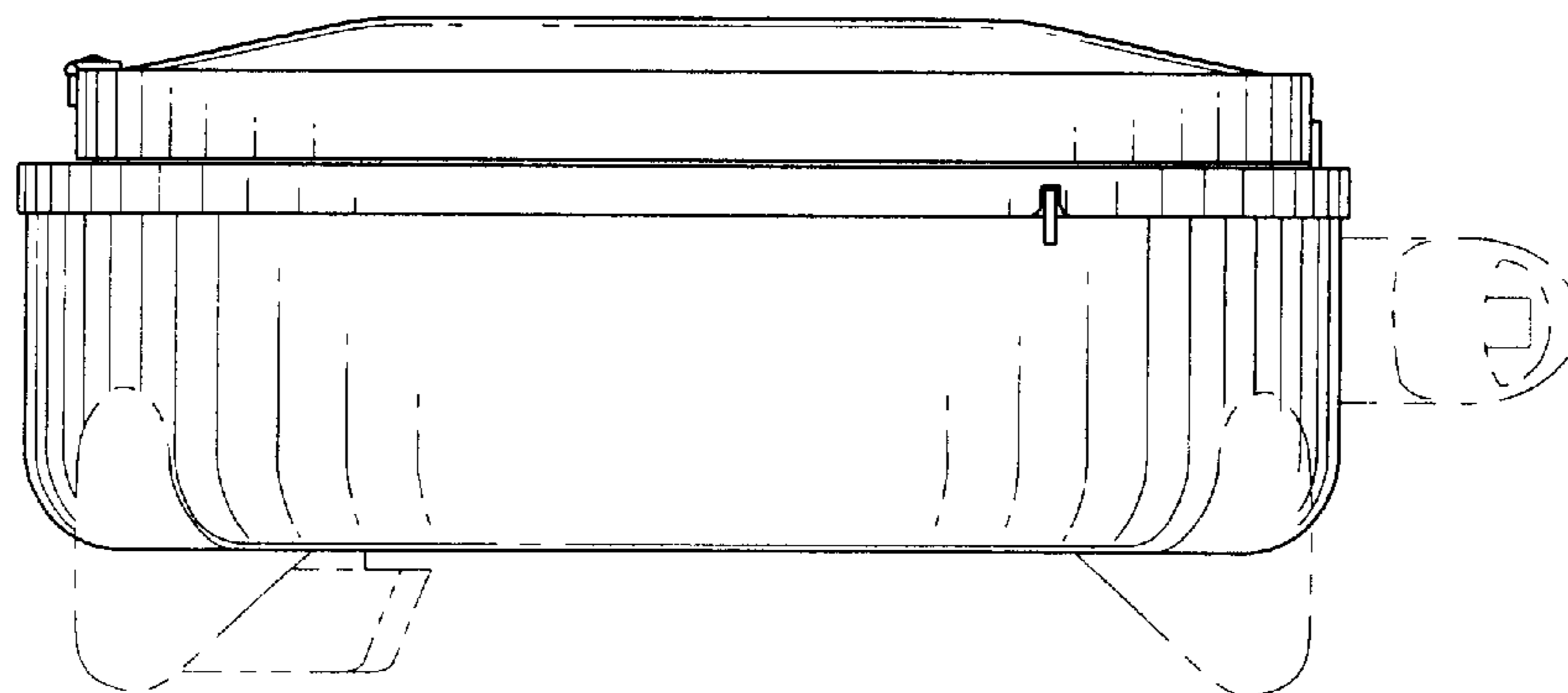


FIG. 11

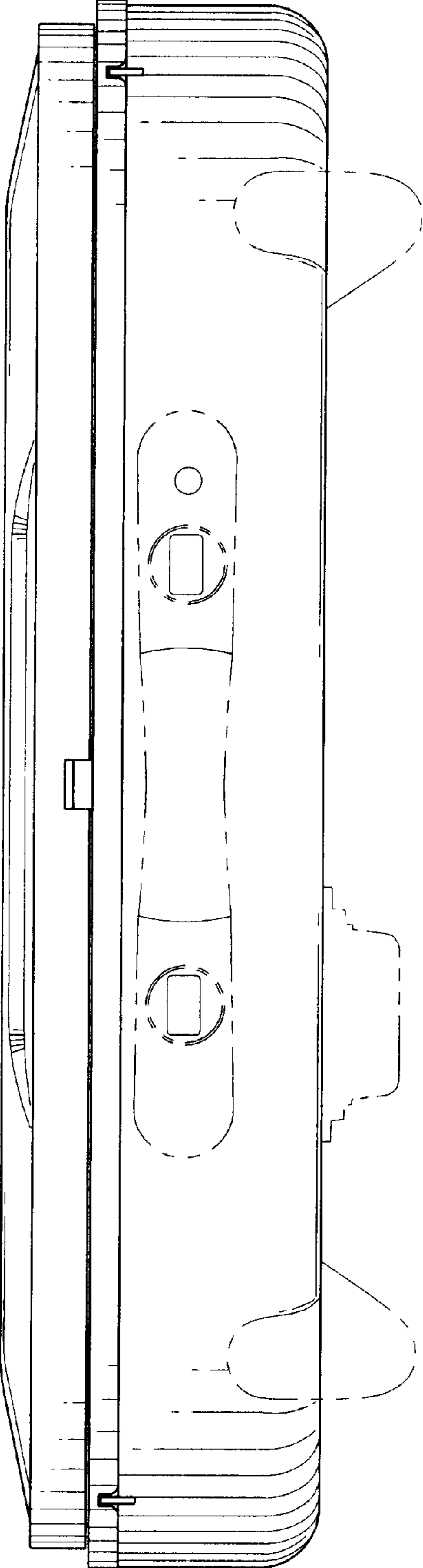


FIG. 12

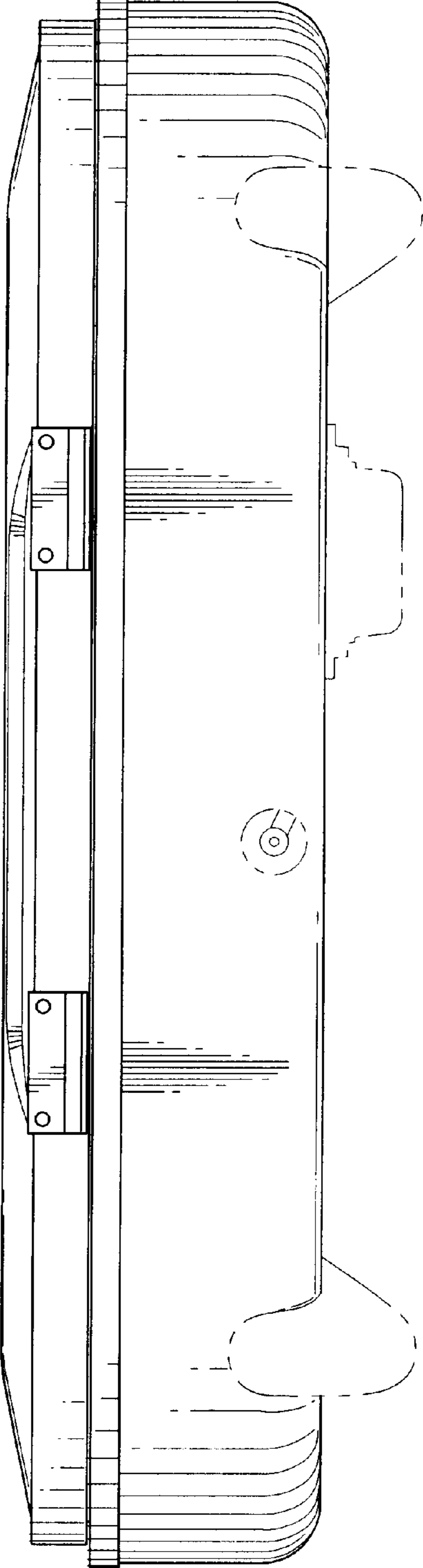
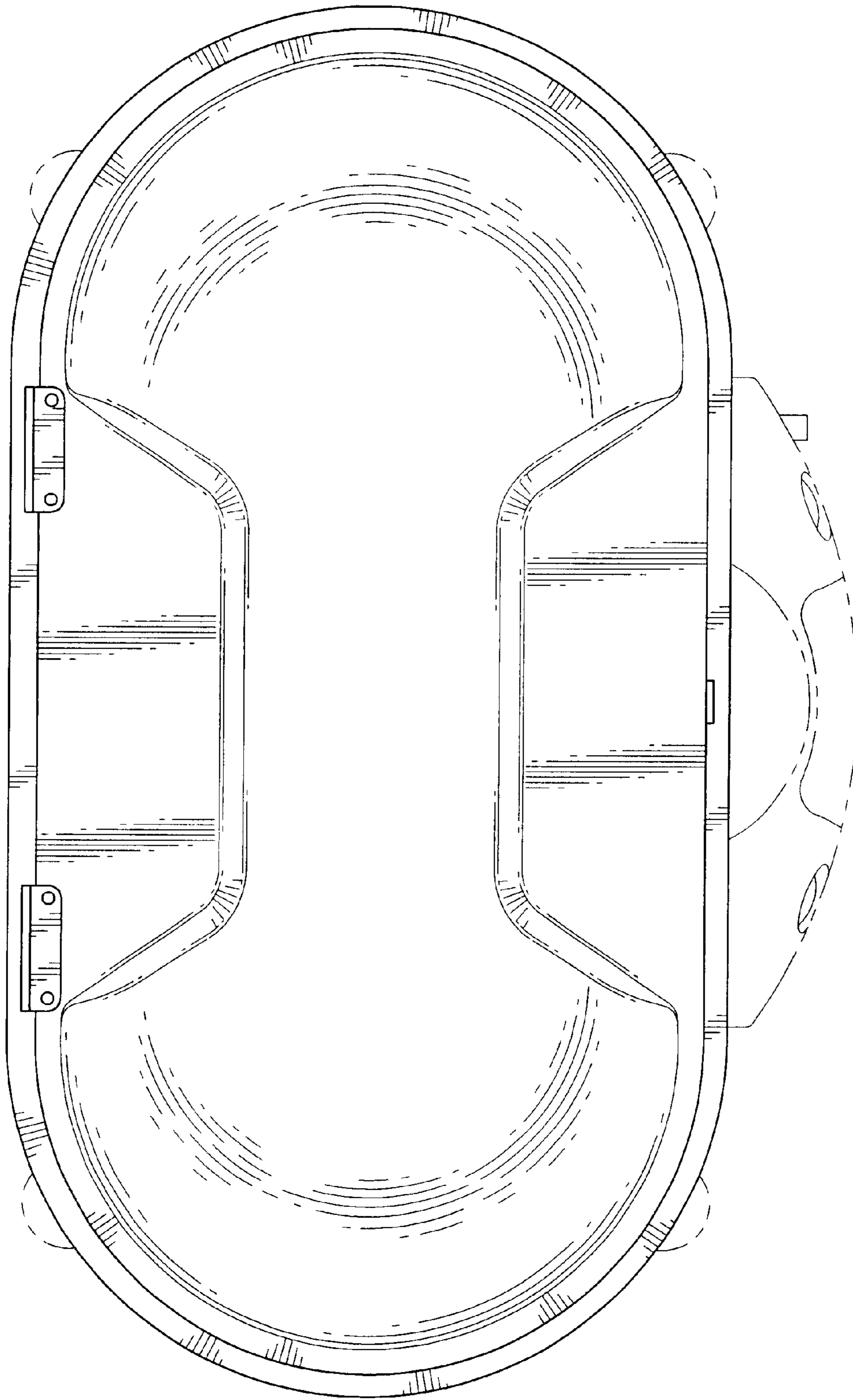


FIG. 13



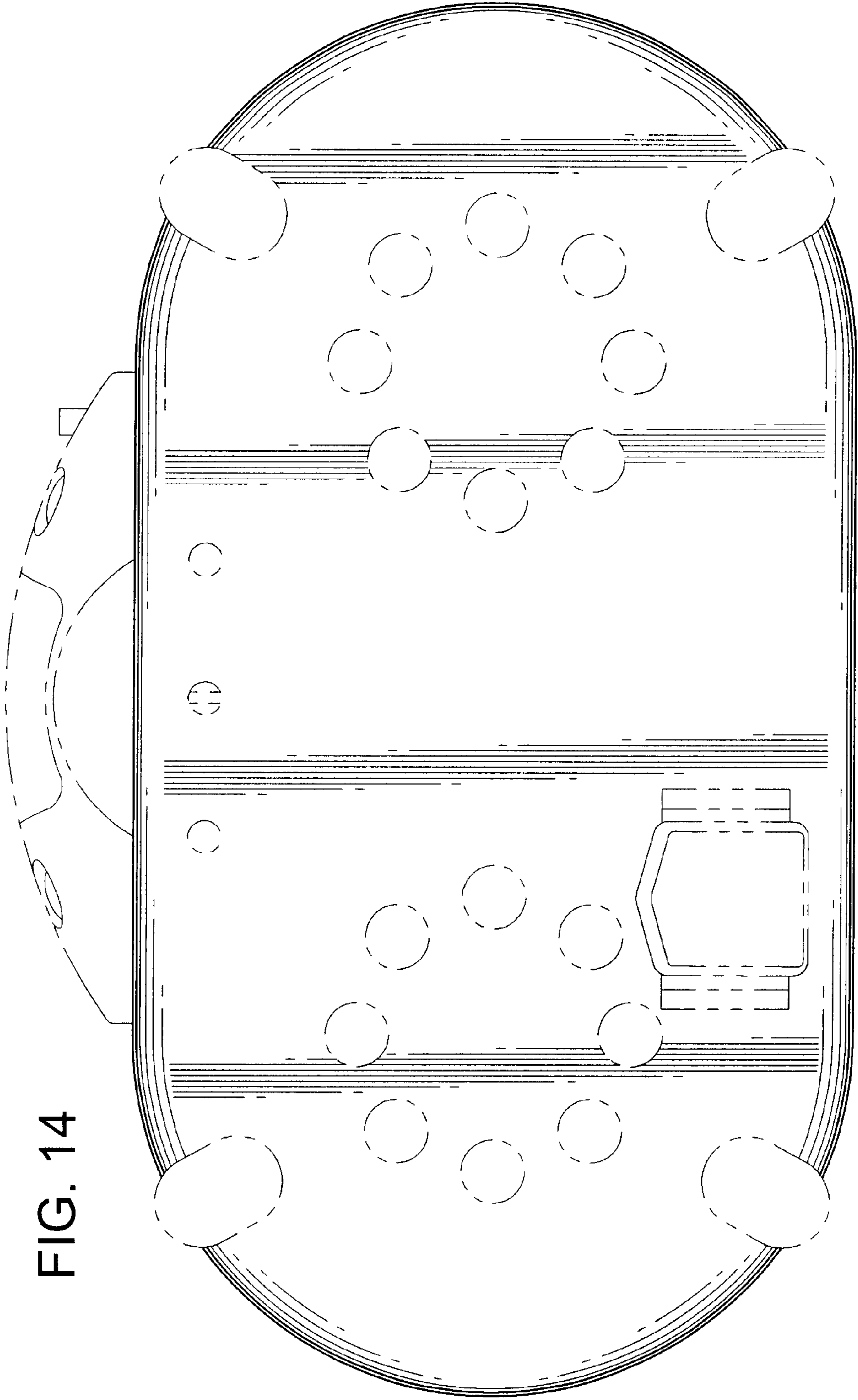


FIG. 14