

US00D506632S

(12) **United States Design Patent**
Holsclaw

(10) **Patent No.:** **US D506,632 S**
(45) **Date of Patent:** **** Jun. 28, 2005**

(54) **APPARATUS FOR HANGING AN AUXILIARY ROLLED SHEET MATERIAL**

(76) Inventor: **William Holsclaw**, 307 S. Clay St., Frankfort, IN (US) 46041

(**) Term: **14 Years**

(21) Appl. No.: **29/204,758**

(22) Filed: **May 4, 2004**

Related U.S. Application Data

(63) Continuation of application No. 10/212,581, filed on Aug. 5, 2002, now abandoned, which is a continuation of application No. 09/639,603, filed on Aug. 15, 2000, now abandoned.

(51) **LOC (8) Cl.** **20-02**

(52) **U.S. Cl.** **D6/520; D6/523**

(58) **Field of Search** D6/513, 515, 518, D6/520, 523; 206/389; 211/45, 113, 282, 283; 221/28.2, 283; 222/173, 180; 242/570, 590, 598; 248/317

(56) **References Cited**

U.S. PATENT DOCUMENTS

1,105,951 A	8/1914	Bagnall
1,270,709 A	6/1918	Darling
2,106,363 A	1/1938	Tesher et al.
2,181,207 A	11/1939	Sanford
2,416,115 A	2/1947	Neuman
2,654,544 A	10/1953	Pusheck
2,872,124 A	2/1959	Sieven
2,932,463 A	4/1960	Mau
D204,595 S	5/1966	Turro
3,799,467 A	3/1974	Bauman
3,833,180 A	9/1974	Balasic
3,837,595 A	9/1974	Boone
3,943,859 A	3/1976	Boone
4,099,681 A	7/1978	House
D252,842 S	9/1979	McKee
4,205,802 A	6/1980	Economakis
4,344,583 A	8/1982	Drum
4,354,643 A	10/1982	Kenner
4,422,585 A	12/1983	Schultz et al.

4,427,159 A	1/1984	Miller et al.	
4,483,491 A	11/1984	Rainey	
4,553,711 A	11/1985	Urion et al.	
4,796,832 A	1/1989	Schultz et al.	
4,834,316 A	5/1989	DeLorean	
4,913,365 A	4/1990	Shamass	
4,964,543 A	10/1990	Scheiber	
D342,174 S	12/1993	Lo	
D345,875 S	4/1994	Thomason	
5,311,986 A	5/1994	Putz	
D356,225 S	3/1995	Coggins et al.	
5,495,997 A	3/1996	Moody	
D406,481 S	3/1999	Conrado	
6,047,920 A	4/2000	Dearwester et al.	
D427,829 S	7/2000	Fleming	
D481,893 S	* 11/2003	Walther et al. D6/518
D485,102 S	* 1/2004	Zuniga D6/520

* cited by examiner

Primary Examiner—Brian N Vinson

(57) **CLAIM**

The ornamental design for an apparatus for hanging an auxiliary rolled sheet material, as shown and described.

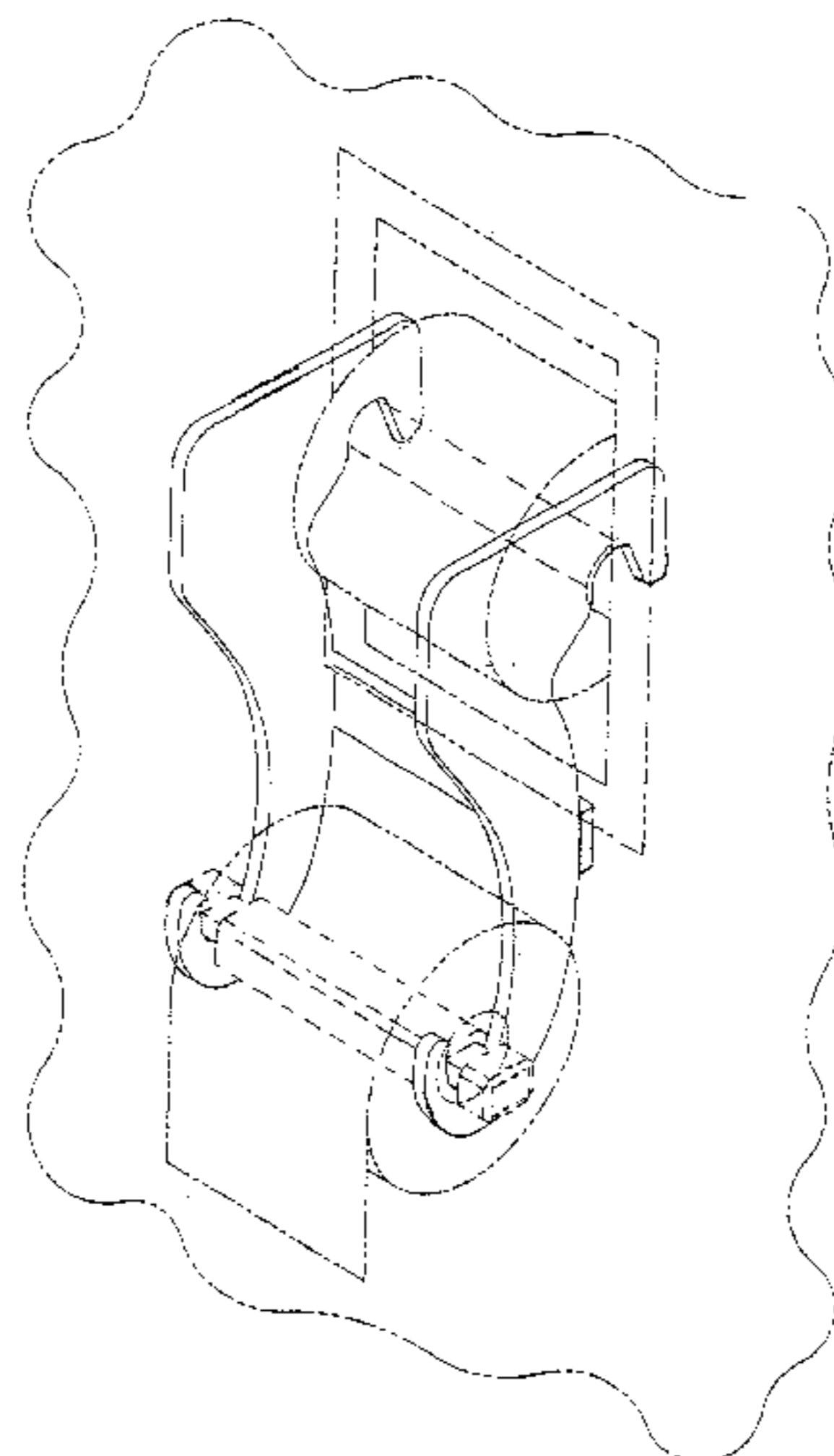
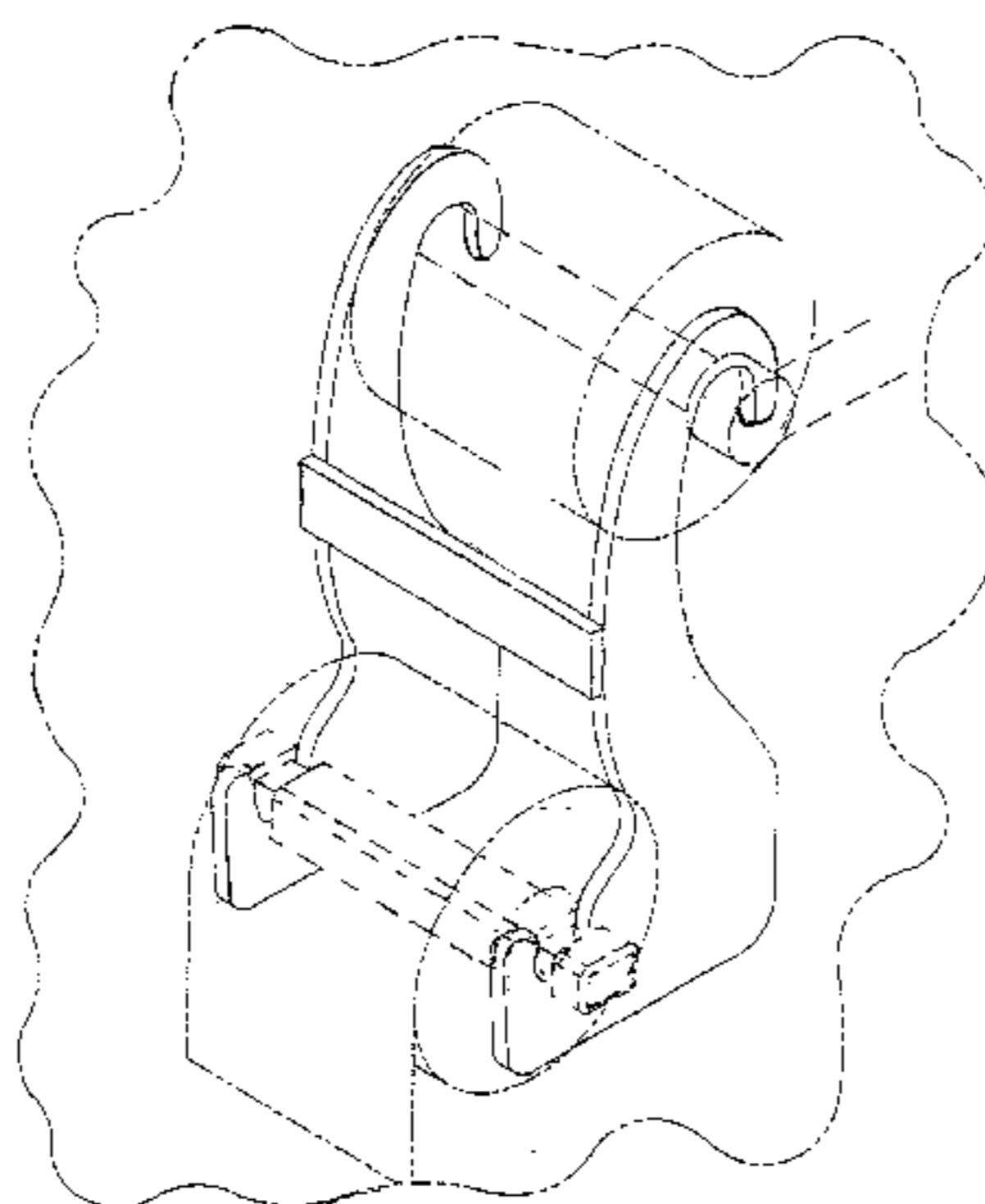
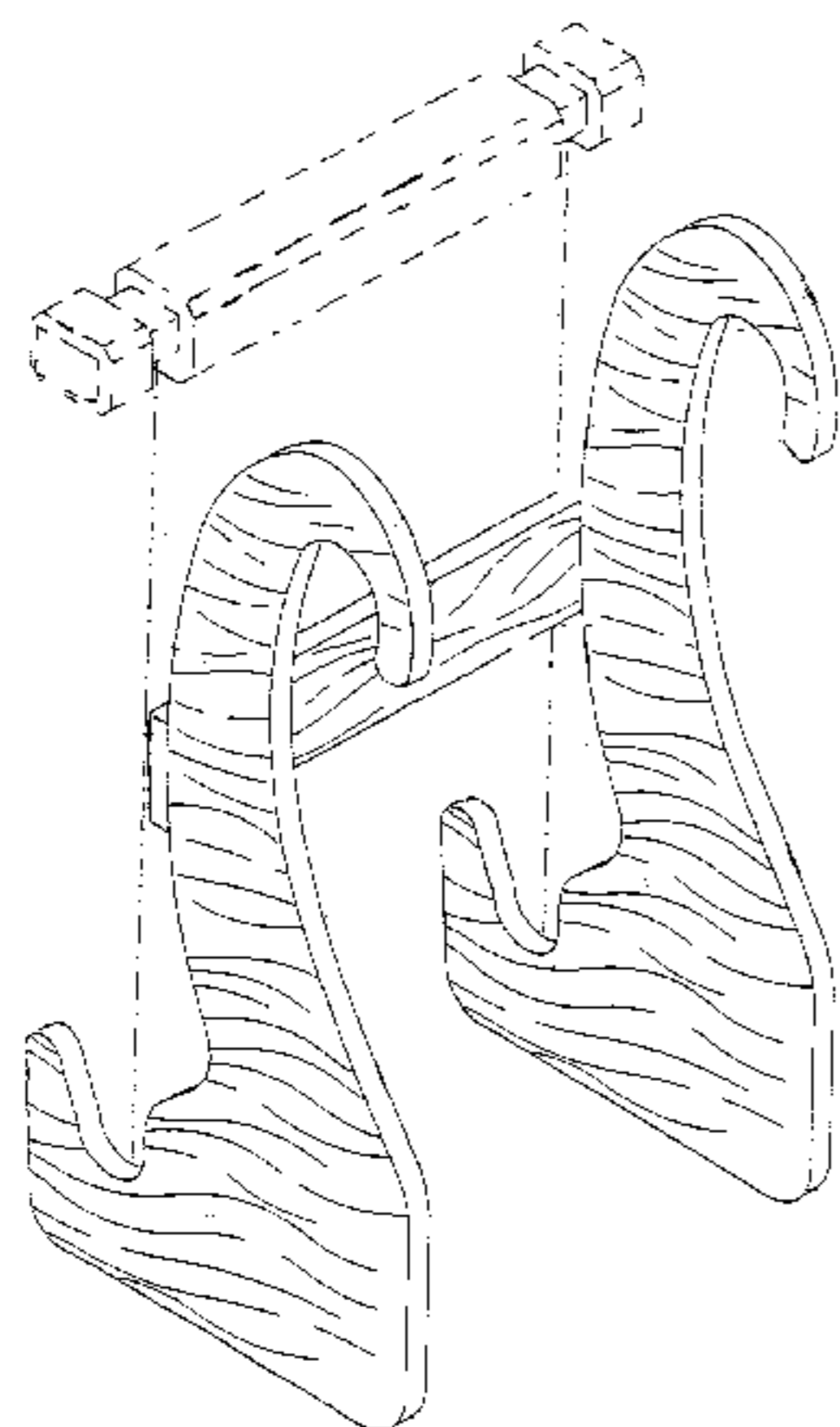
DESCRIPTION

FIG. 1 is a perspective view of an apparatus for hanging an auxiliary rolled sheet material in accordance with my design, with the axle of the apparatus, which does not form part of my new design, illustrated in broken lines;

FIG. 2 is a perspective view of the apparatus mounted in a first orientation and hanging from a spindle which is attached to an exterior surface of a wall such that the spindle is spaced outwardly from the exterior surface, with the axle of the apparatus as well as the spindle, wall, and rolled sheets of paper, which do not form part of my new design, illustrated in broken lines; and,

FIG. 3 is a perspective view of the apparatus mounted in a second orientation and hanging from a spindle which is positioned within a recess defined in a wall, with the axle of the apparatus as well as the spindle, wall, and rolled sheets of paper, which do not form part of my new design, illustrated in broken lines.

1 Claim, 3 Drawing Sheets



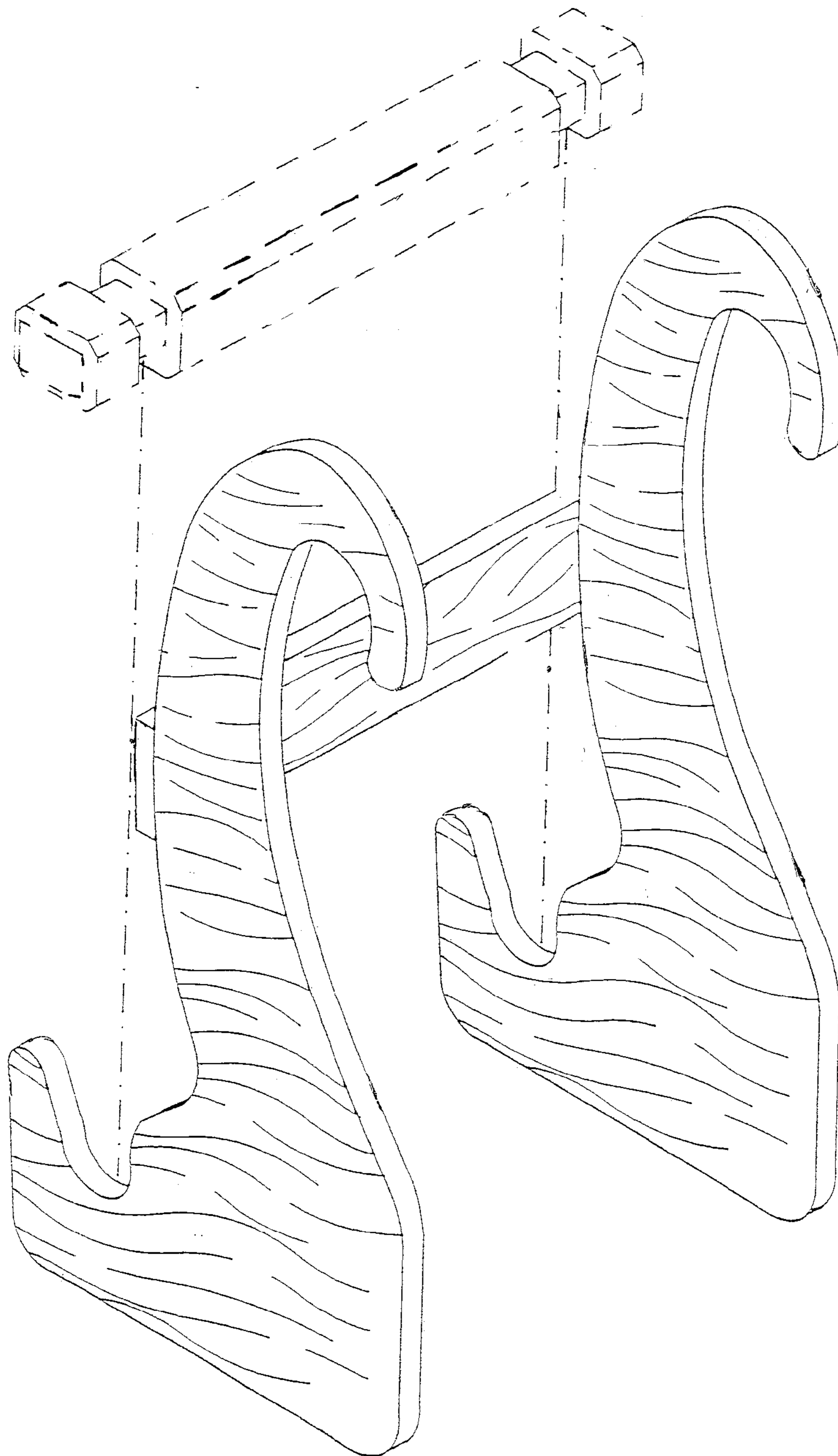


Fig. 1

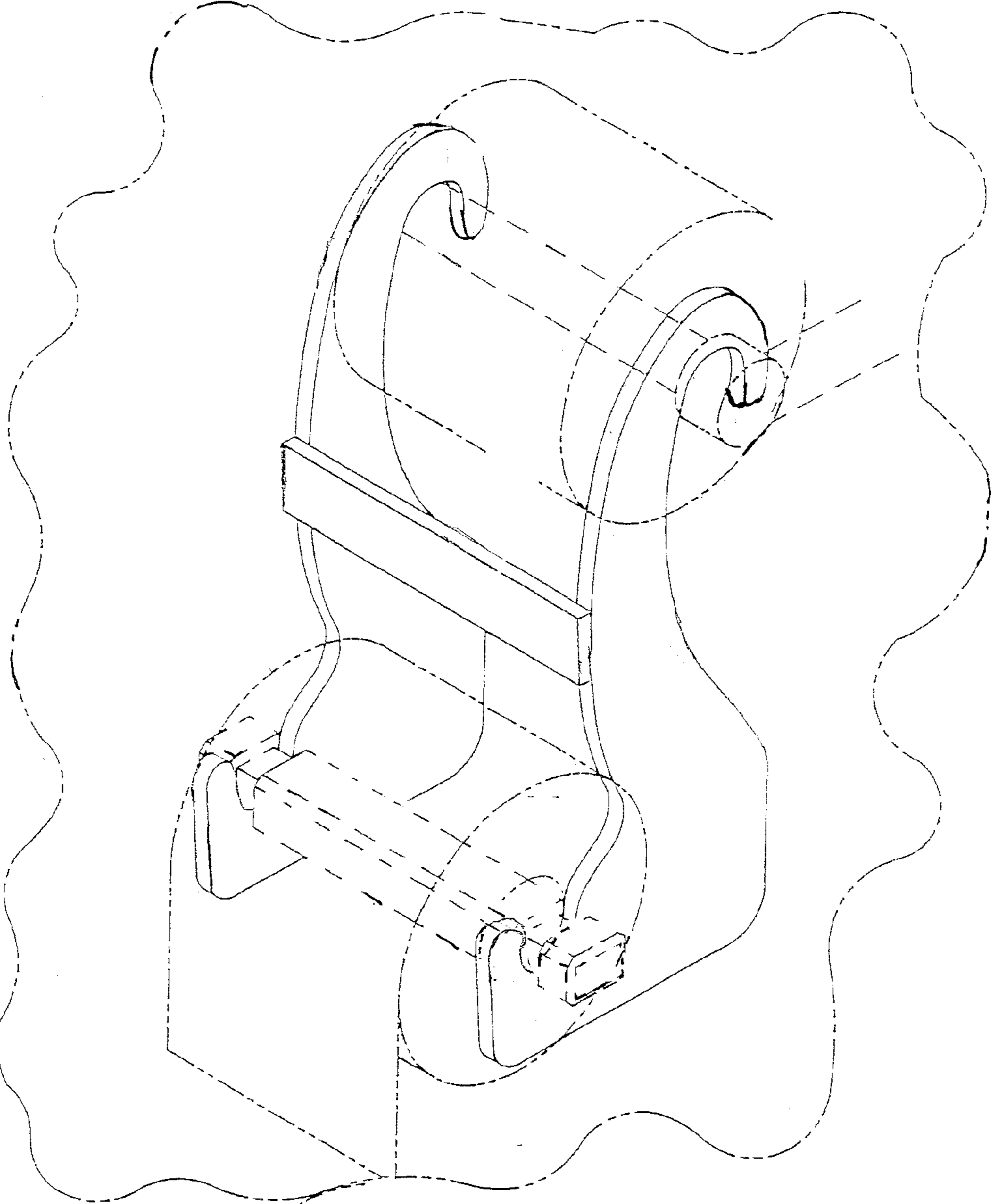


Fig. 2

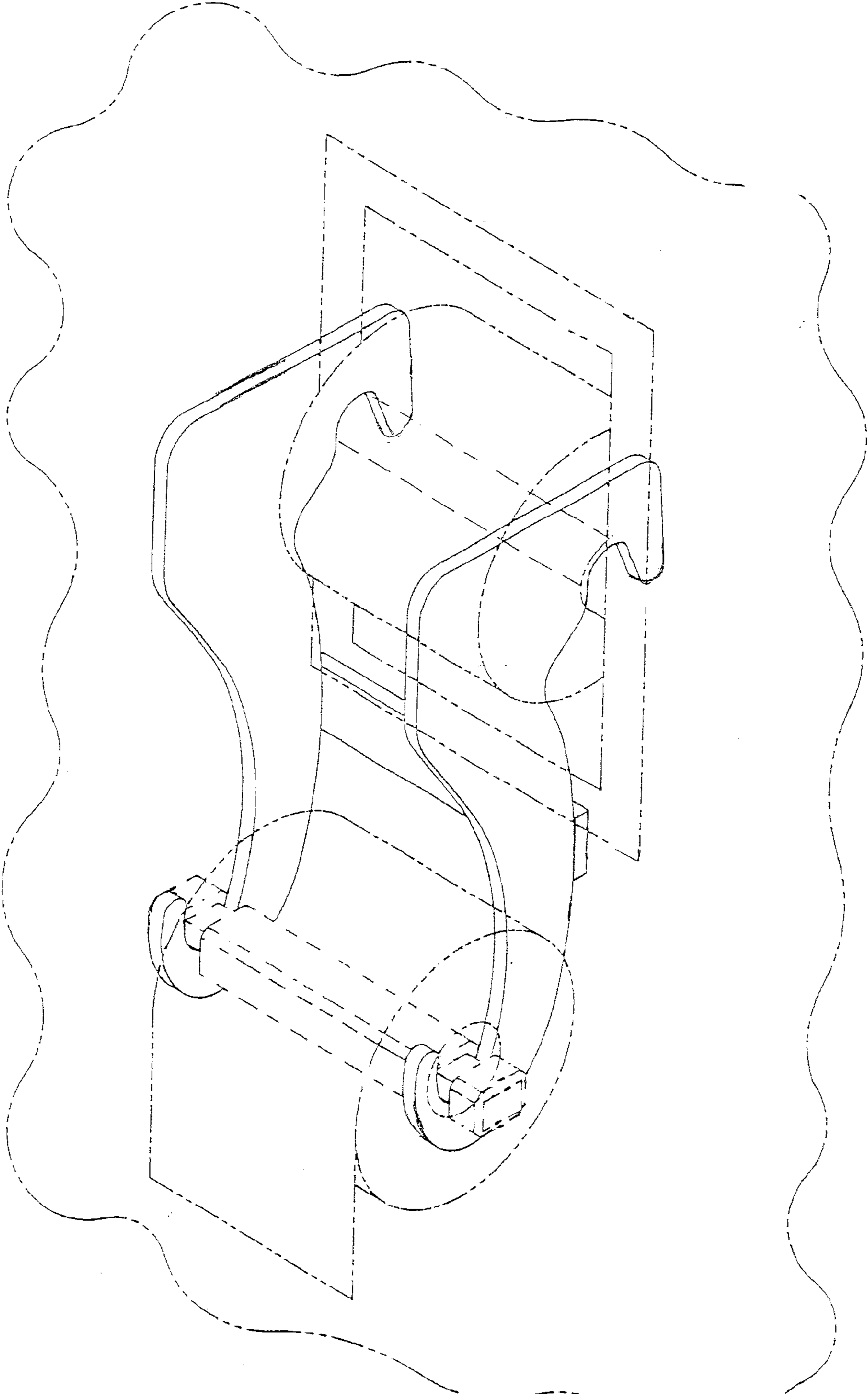


Fig. 3