

US00D506630S

(12) **United States Design Patent**
Schweikarth

(10) **Patent No.:** **US D506,630 S**

(45) **Date of Patent:** **** Jun. 28, 2005**

(54) **DOOR FRONT**

D481,558 S * 11/2003 Milligan D6/470

(75) **Inventor:** **Derek Schweikarth**, Jasper, IN (US)

* cited by examiner

(73) **Assignee:** **Kimball International, Inc.**, Jasper, IN (US)

Primary Examiner—Cathron C. Brooks

(74) *Attorney, Agent, or Firm*—Baker & Daniels

(**) **Term:** **14 Years**

(57) **CLAIM**

The ornamental design for a door front, as shown and described.

(21) **Appl. No.:** **29/174,687**

(22) **Filed:** **Jan. 20, 2003**

DESCRIPTION

(51) **LOC (8) Cl.** **06-06**

(52) **U.S. Cl.** **D6/510**; D6/441; D6/448

(58) **Field of Search** D6/432, 436, 441, D6/448, 470, 509, 510, 511, 491, 492; 312/114, 138.1, 204, 245, 348.4

FIG. 1 is a front perspective view of a first embodiment of a door front showing my new design, the door front having a translucent cover such that some components of the door front, which are shown in lighter lines, are partially visible therethrough;

FIG. 2 is a front view thereof;

FIG. 3 is a left side view thereof;

FIG. 4 is a top view thereof;

FIG. 5 is a front perspective view of a second embodiment of a door front showing my new design, the door front having an opaque cover;

FIG. 6 is a front view thereof;

FIG. 7 is a left side view thereof; and,

FIG. 8 is a top view thereof.

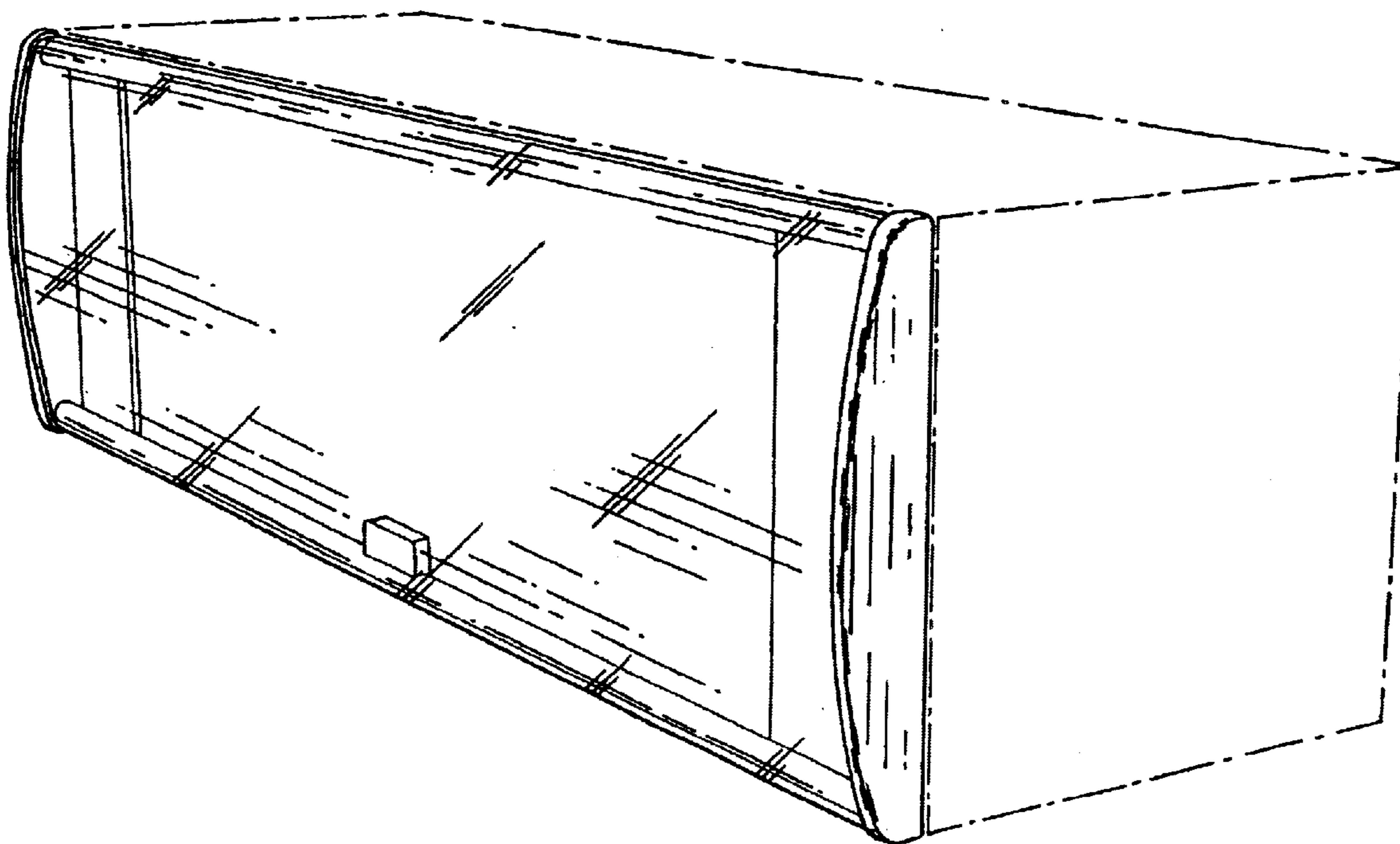
The broken lines shown in FIGS. 1 and 5 form no part of the claimed design.

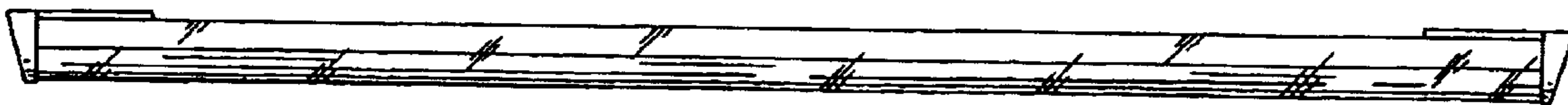
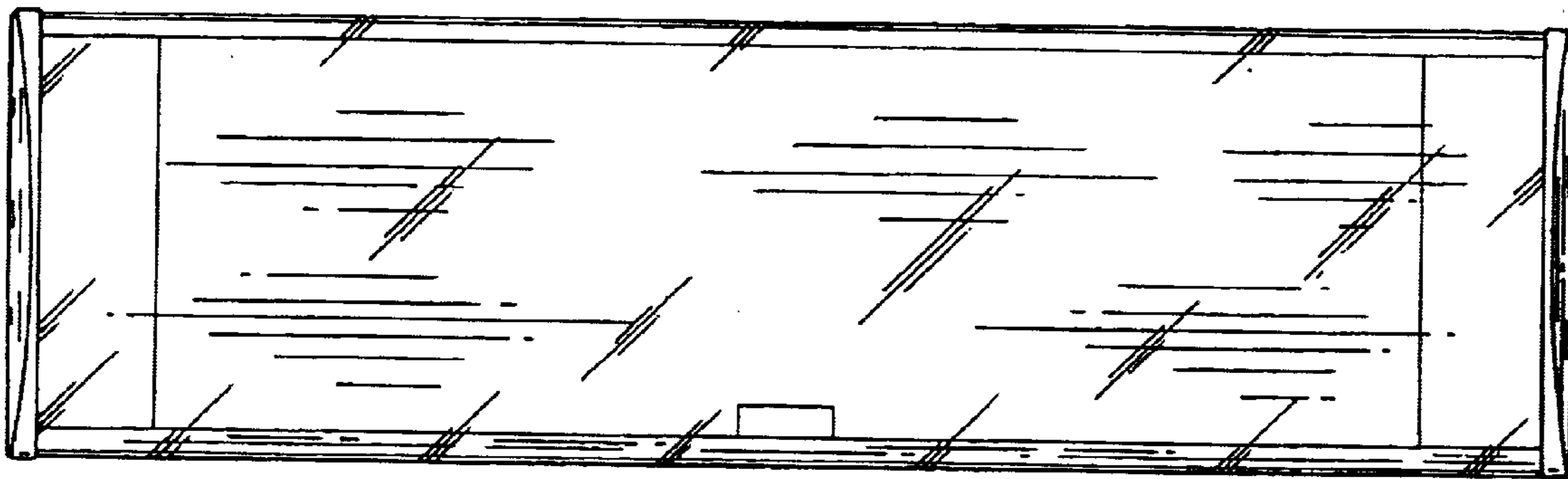
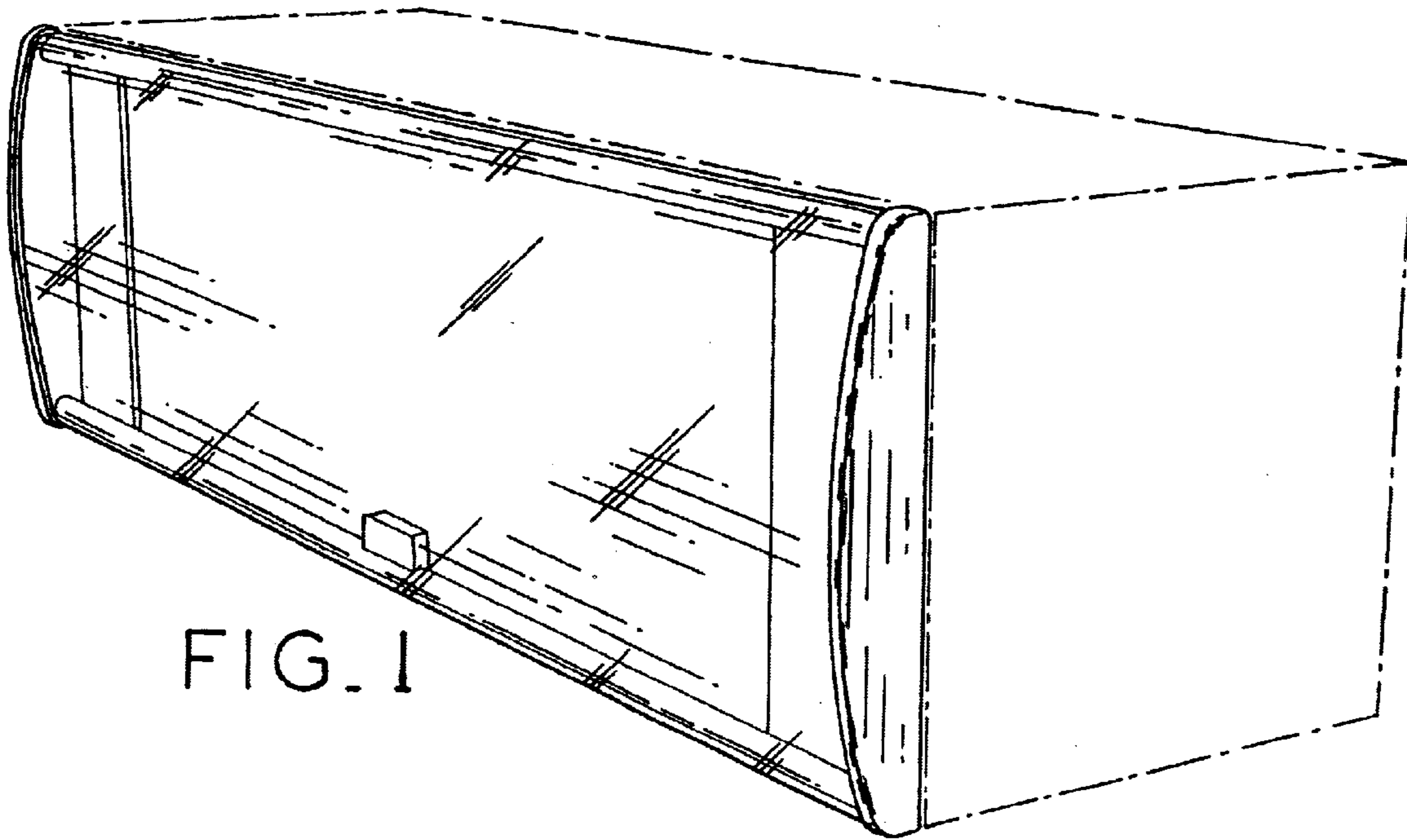
(56) **References Cited**

U.S. PATENT DOCUMENTS

D143,354 S	12/1945	Rundell	D33/6
D327,794 S	7/1992	Zapf	D6/448
D339,934 S	* 10/1993	Reuter	D6/441
D395,968 S	* 7/1998	Shappell	D6/509
6,007,171 A	* 12/1999	Varellas-Olree	312/323
D432,816 S	10/2000	Hellwig et al.	D6/441
D434,924 S	12/2000	Jermain	D6/445
6,394,564 B1	5/2002	Mrotz, III et al.	312/265.5
D459,924 S	7/2002	Heidmann et al.	D6/510
D466,723 S	* 12/2002	Heidmann et al.	D6/441

1 Claim, 2 Drawing Sheets





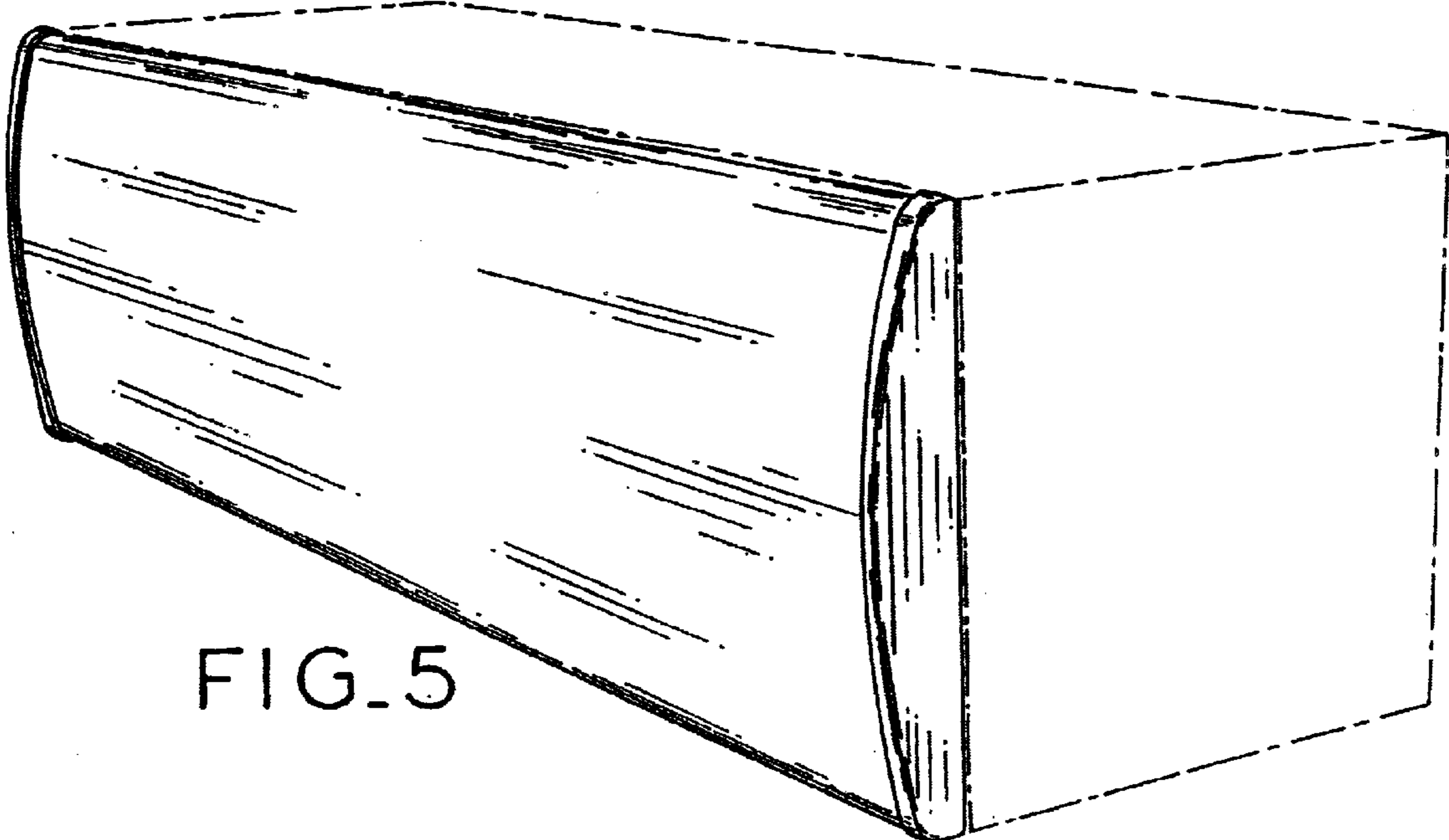


FIG. 5

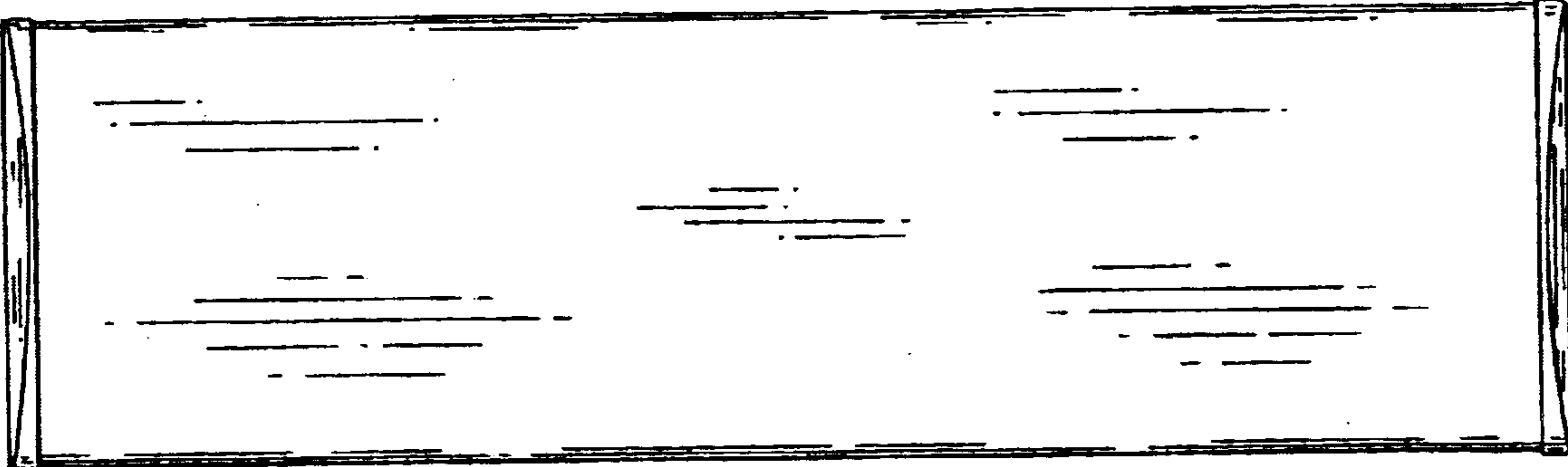


FIG. 6



FIG. 7

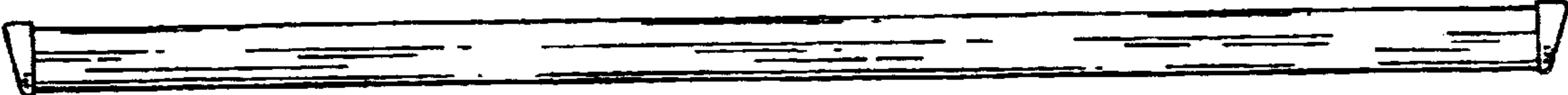


FIG. 8