

US00D506628S

(12) **United States Design Patent**  
**Koepke et al.**

(10) **Patent No.: US D506,628 S**  
(45) **Date of Patent: \*\* Jun. 28, 2005**

(54) **CHAIR FRAME**

(75) Inventors: **Marcus C. Koepke**, Indianapolis, IN (US); **Jay R. Machael**, Muscatine, IA (US)

(73) Assignee: **HNI Technologies Inc.**, Muscatine, IA (US)

(\*\*) Term: **14 Years**

(21) Appl. No.: **29/202,073**

(22) Filed: **Mar. 24, 2004**

(51) **LOC (8) Cl.** ..... **06-06**

(52) **U.S. Cl.** ..... **D6/502; D6/366**

(58) **Field of Search** ..... D6/334, 364, 365, D6/366, 367, 374, 380, 500-502; 297/300.1, 300.2, 452.29

(56) **References Cited**

**U.S. PATENT DOCUMENTS**

D414,349 S	*	9/1999	Jenkins et al.	.....	D6/366
D421,540 S	*	3/2000	Jenkins et al.	.....	D6/502
D427,816 S	*	7/2000	Overthun et al.	.....	D6/500
D439,451 S	*	3/2001	Simons et al.	.....	D6/502
D442,400 S	*	5/2001	Simons et al.	.....	D6/500
D442,791 S	*	5/2001	Simons et al.	.....	D6/366

2002/0017809 A1 \* 2/2002 Knoblock et al. .... 297/300.1  
2003/0015902 A1 \* 1/2003 Knoblock et al. .... 297/300.1  
2004/0130195 A1 \* 7/2004 DeKraker et al. .... 297/300.1

\* cited by examiner

*Primary Examiner*—Mimosa De

(74) *Attorney, Agent, or Firm*—Ronald A. Sandler; Jones Day

(57) **CLAIM**

We claim the ornamental design for a chair frame, as shown and described.

**DESCRIPTION**

FIG. 1 is a front perspective view of a chair frame showing the new design;

FIG. 2 is a slightly reduced front view of the chair frame of FIG. 1;

FIG. 3 is a slightly reduced is a back view of the chair frame of FIG. 1;

FIG. 4 is a slightly reduced left side view thereof;

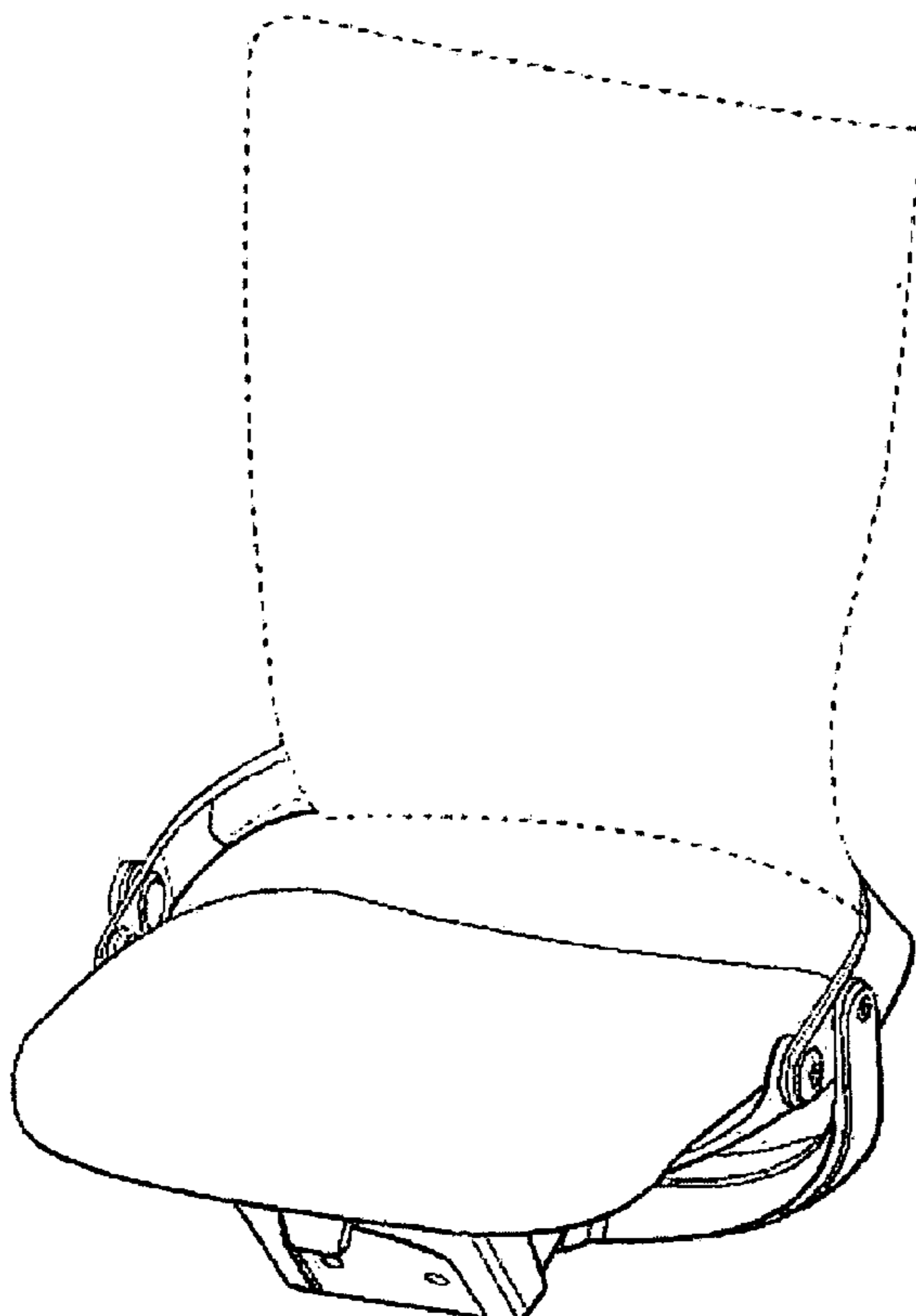
FIG. 5 is a slightly reduced right side view thereof;

FIG. 6 is a slightly reduced bottom plan view thereof; and,

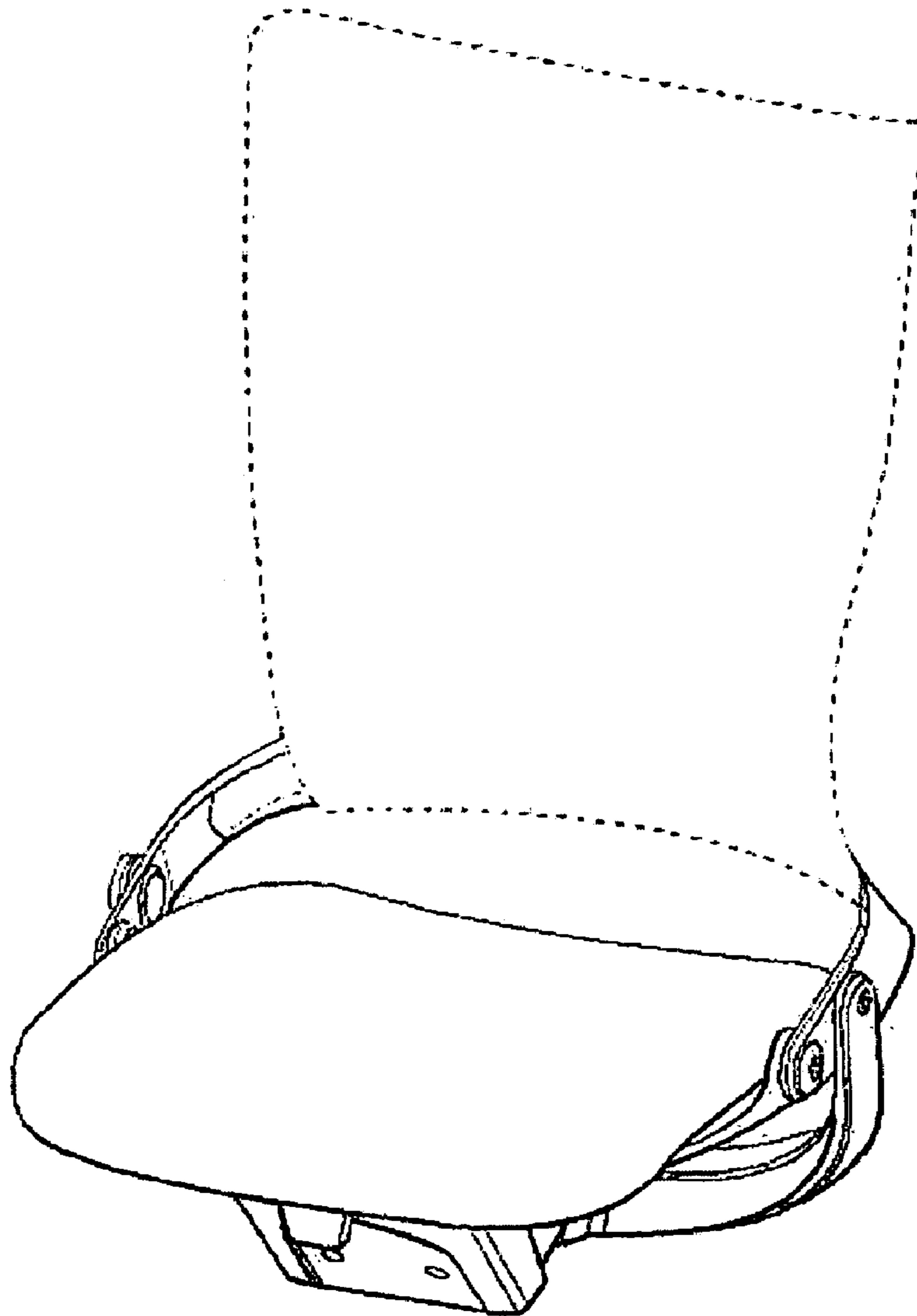
FIG. 7 is a slightly reduced top plan view thereof.

The broken lines shown are for environmental illustrative purposes only, and form no part of the claimed design.

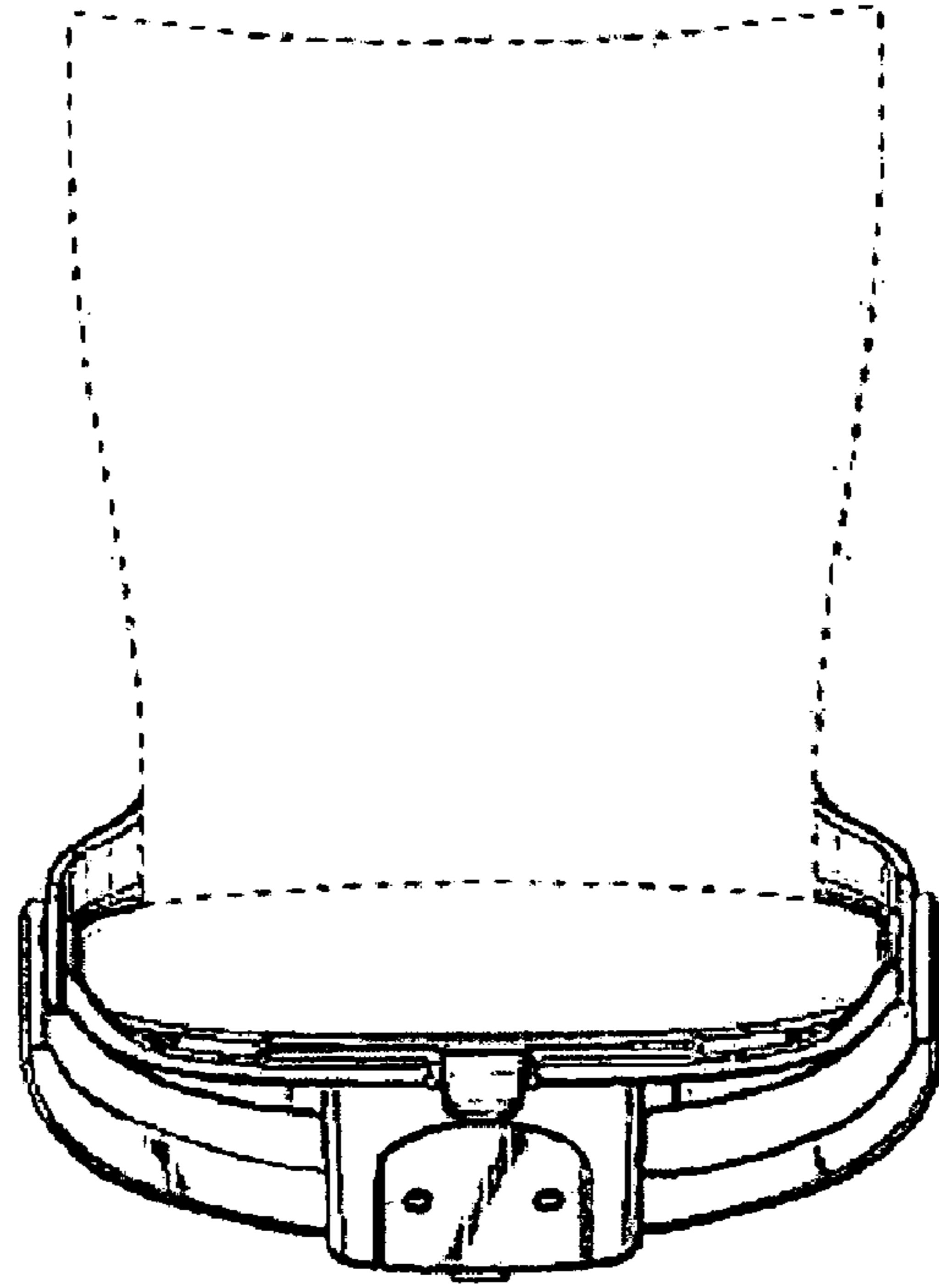
**1 Claim, 4 Drawing Sheets**



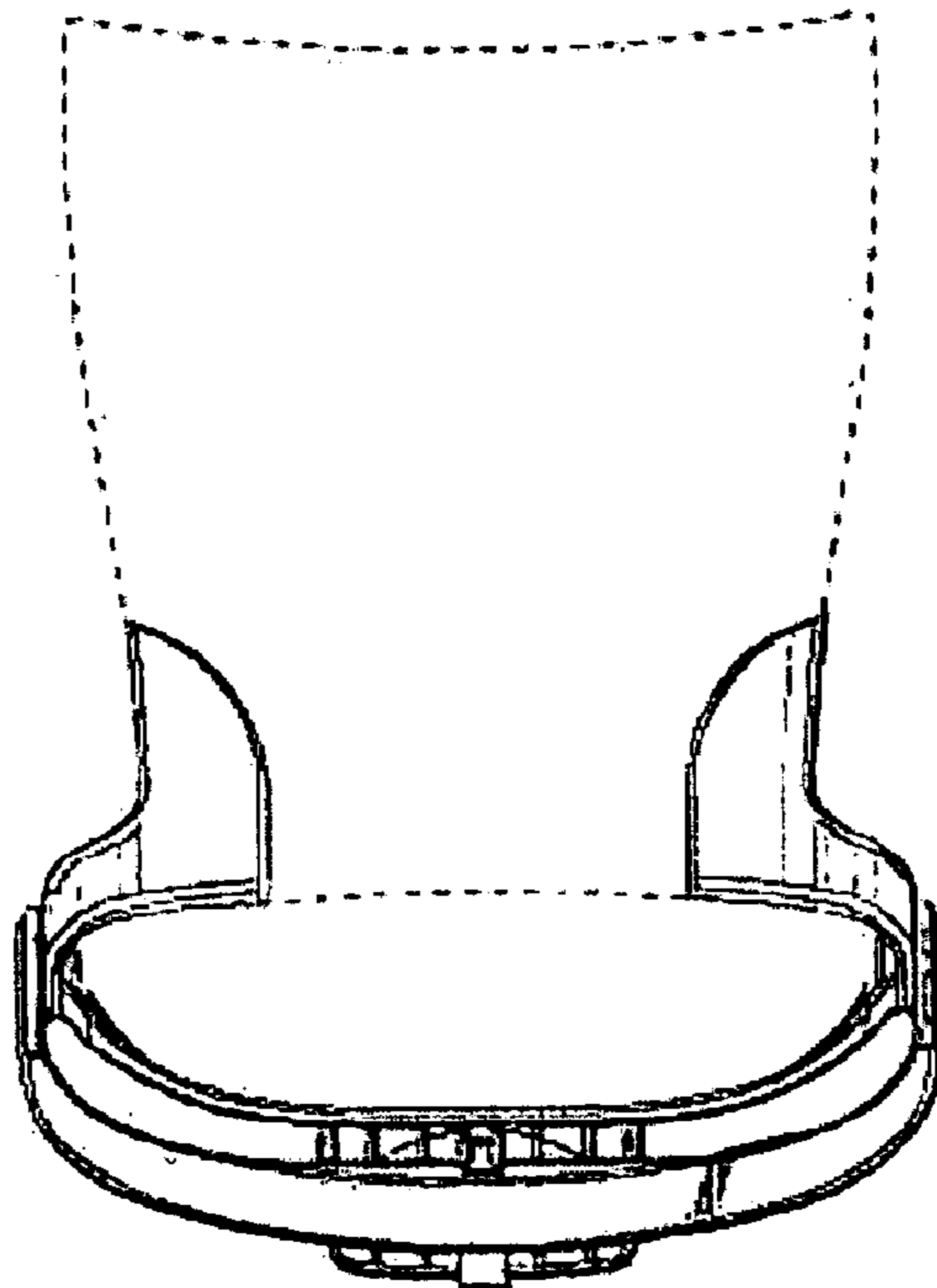
*Fig. 1*



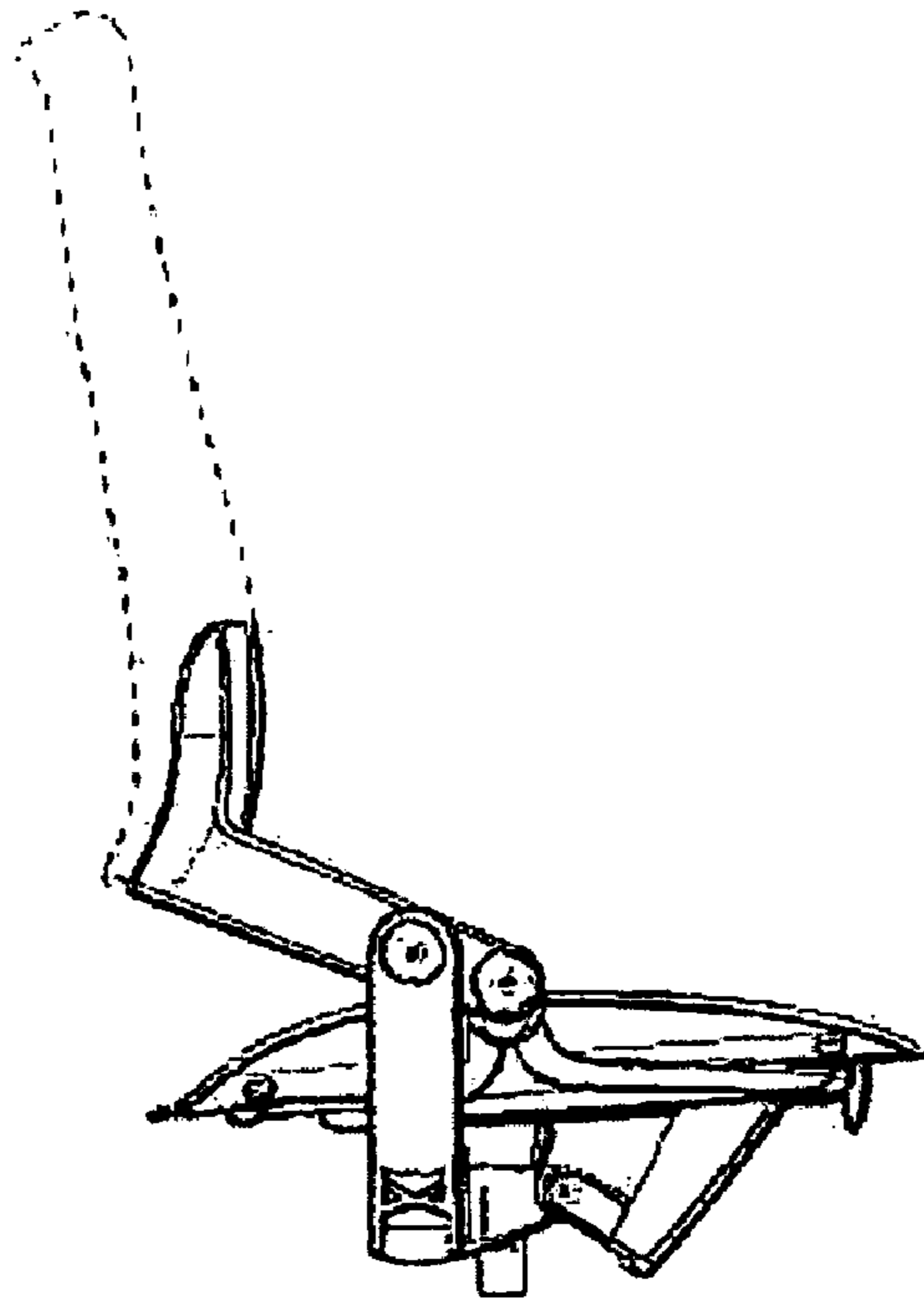
*Fig. 2*



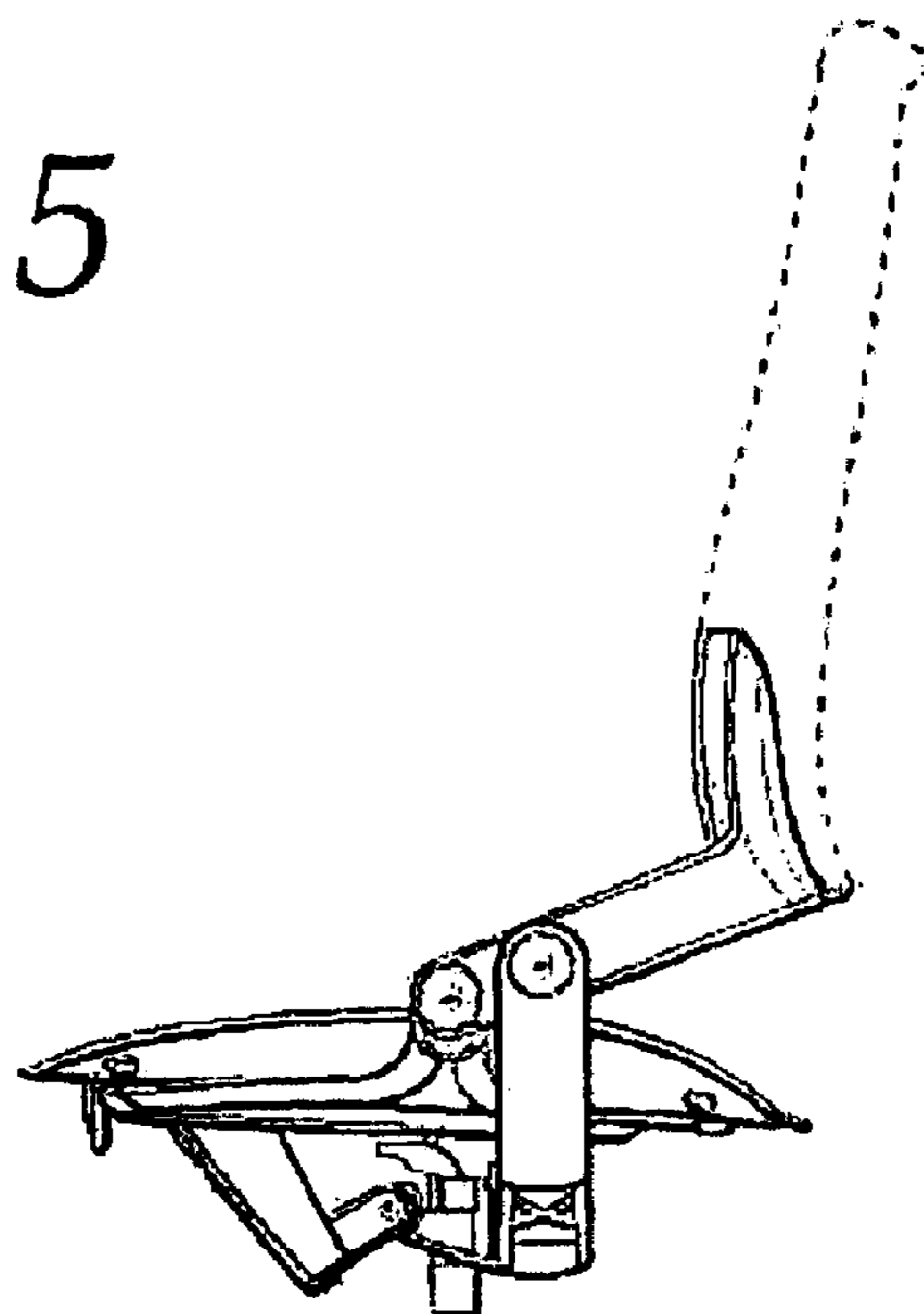
*Fig. 3*



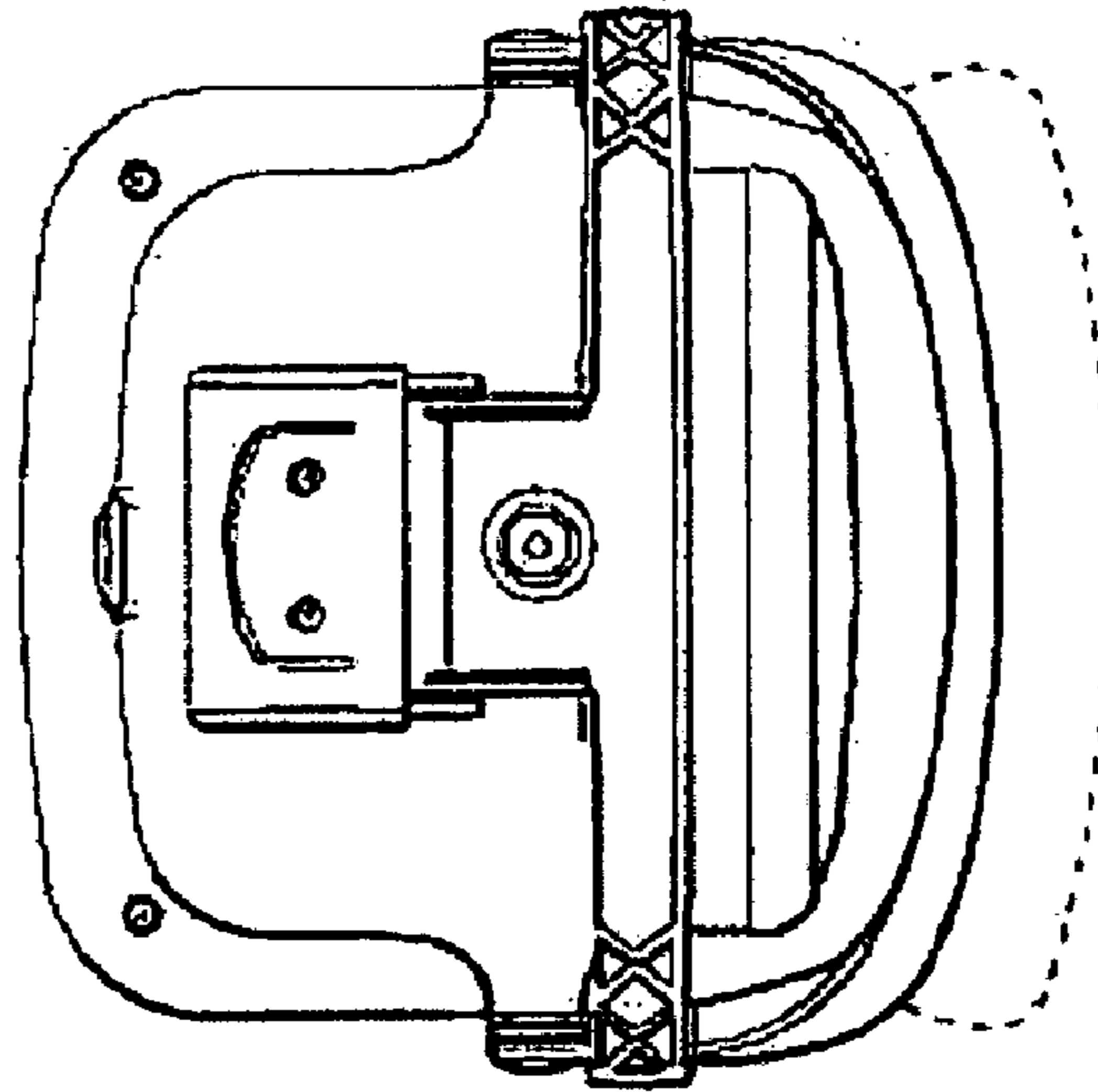
*Fig. 4*



*Fig. 5*



*Fig. 6*



*Fig. 7*

