

US00D506624S

(12) **United States Design Patent**  
**McDiarmid**

(10) **Patent No.:** **US D506,624 S**  
(45) **Date of Patent:** **\*\* Jun. 28, 2005**

- (54) **DESK**
- (75) **Inventor:** **Ronald D. McDiarmid**, City of Industry, CA (US)
- (73) **Assignee:** **Gruga, U.S.A.**, City of Industry, CA (US)
- (\*\*) **Term:** **14 Years**
- (21) **Appl. No.:** **29/192,460**
- (22) **Filed:** **Oct. 24, 2003**
- (51) **LOC (8) Cl.** ..... **06-03**
- (52) **U.S. Cl.** ..... **D6/480**
- (58) **Field of Search** ..... D6/480-489, 511, D6/495-499, 429, 423, 422; 108/150, 153.1, 155, 156, 157.1, 161, 50.01, 50.02; 248/188, 188.1, 188.8; 312/208.1, 238, 223.3

- D410,806 S \* 6/1999 Olson et al. .... D6/484
- D456,170 S \* 4/2002 Chang ..... D6/425
- D467,453 S \* 12/2002 Kwon ..... D6/499
- D472,405 S \* 4/2003 Tzeng ..... D6/484

\* cited by examiner

*Primary Examiner*—Janice E. Seeger  
(74) *Attorney, Agent, or Firm*—Sheppard, Mullin, Richter & Hampton LLP

(57) **CLAIM**

I claim the ornamental design for a desk, as shown and described.

**DESCRIPTION**

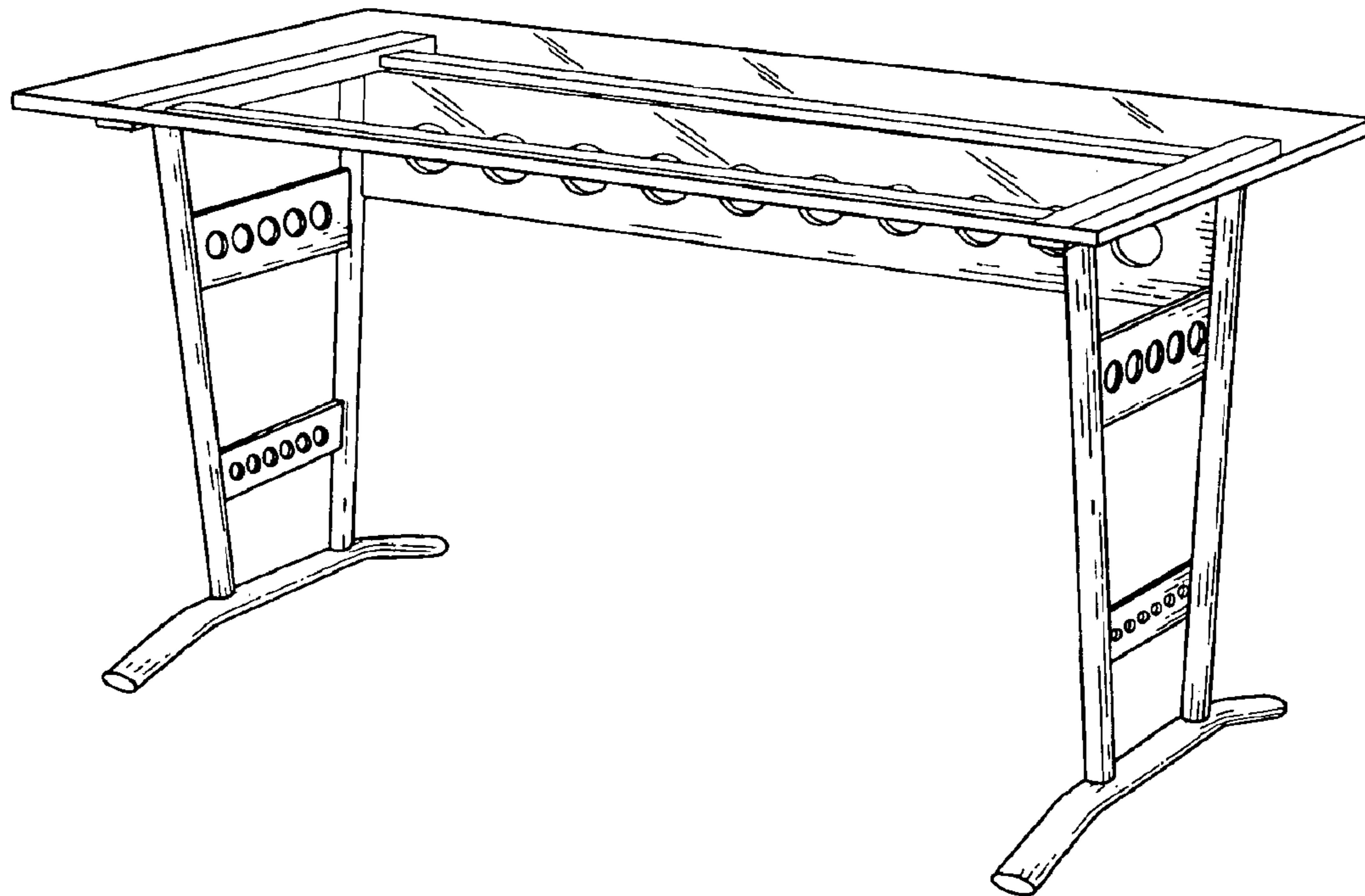
FIG. 1 is a front right perspective view of a desk embodying our new design.  
FIG. 2 is a front elevational view of the desk of FIG. 1.  
FIG. 3 is a rear elevational view of the desk of FIG. 1.  
FIG. 4 is a right side elevational view, which is identical to the left side elevational view of the desk of FIG. 1.  
FIG. 5 is a top plan view of the desk of FIG. 1; and,  
FIG. 6 is a bottom plan view of the desk of FIG. 1.

(56) **References Cited**

**U.S. PATENT DOCUMENTS**

- D360,324 S \* 7/1995 Vogt ..... D6/484
- D399,682 S \* 10/1998 Lepper et al. .... D6/484

**1 Claim, 3 Drawing Sheets**



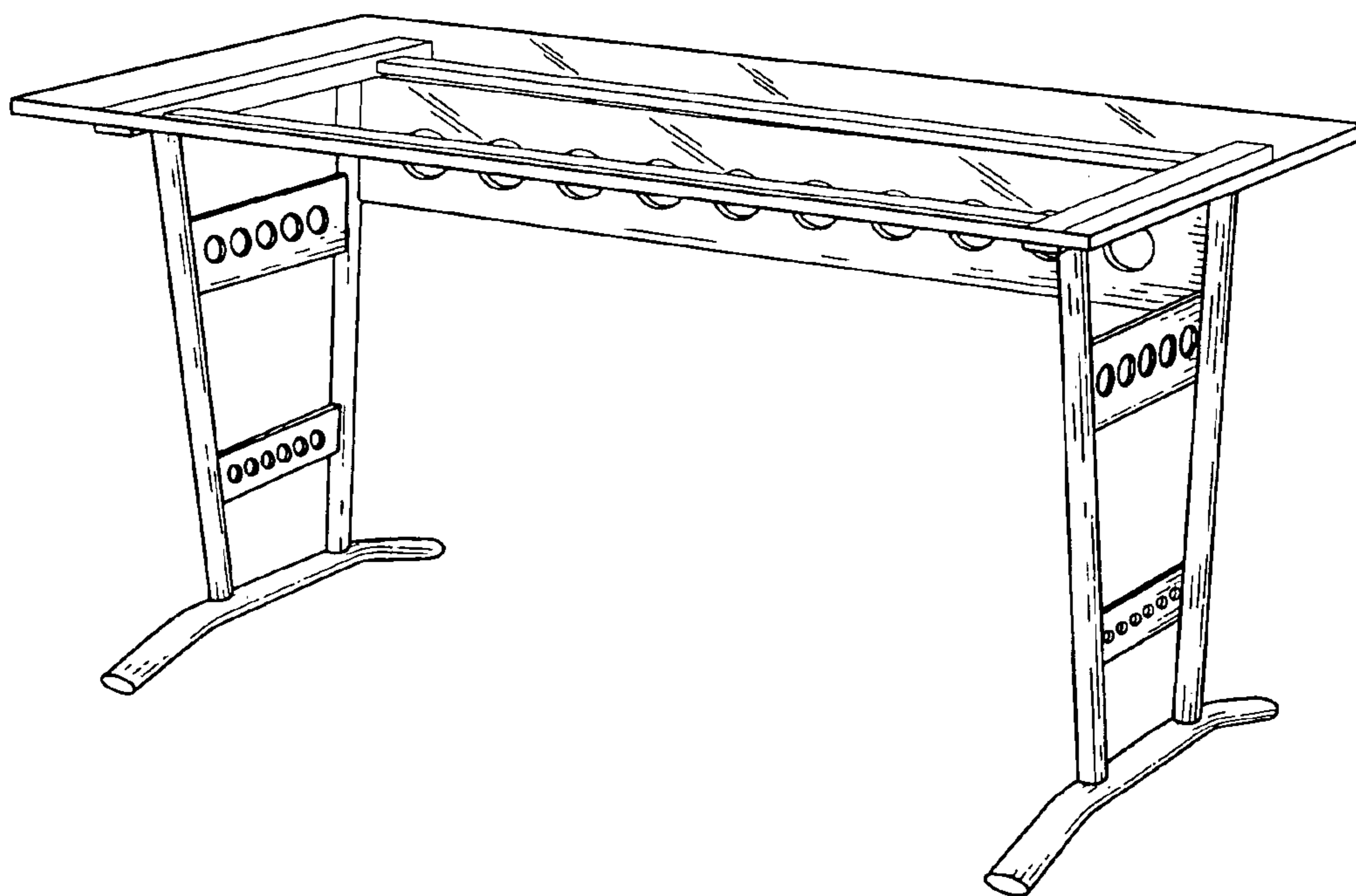


FIG. 1

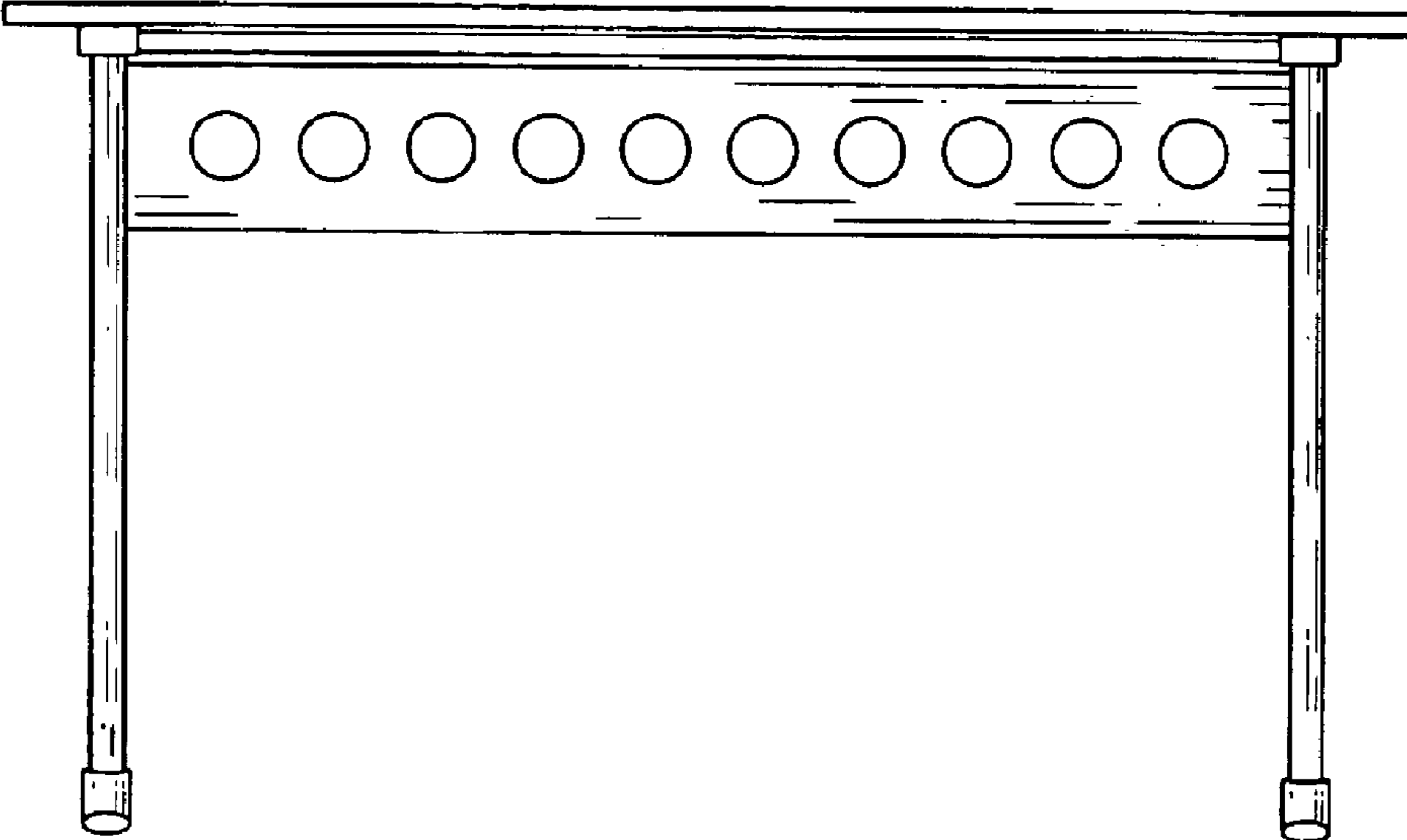


FIG. 2

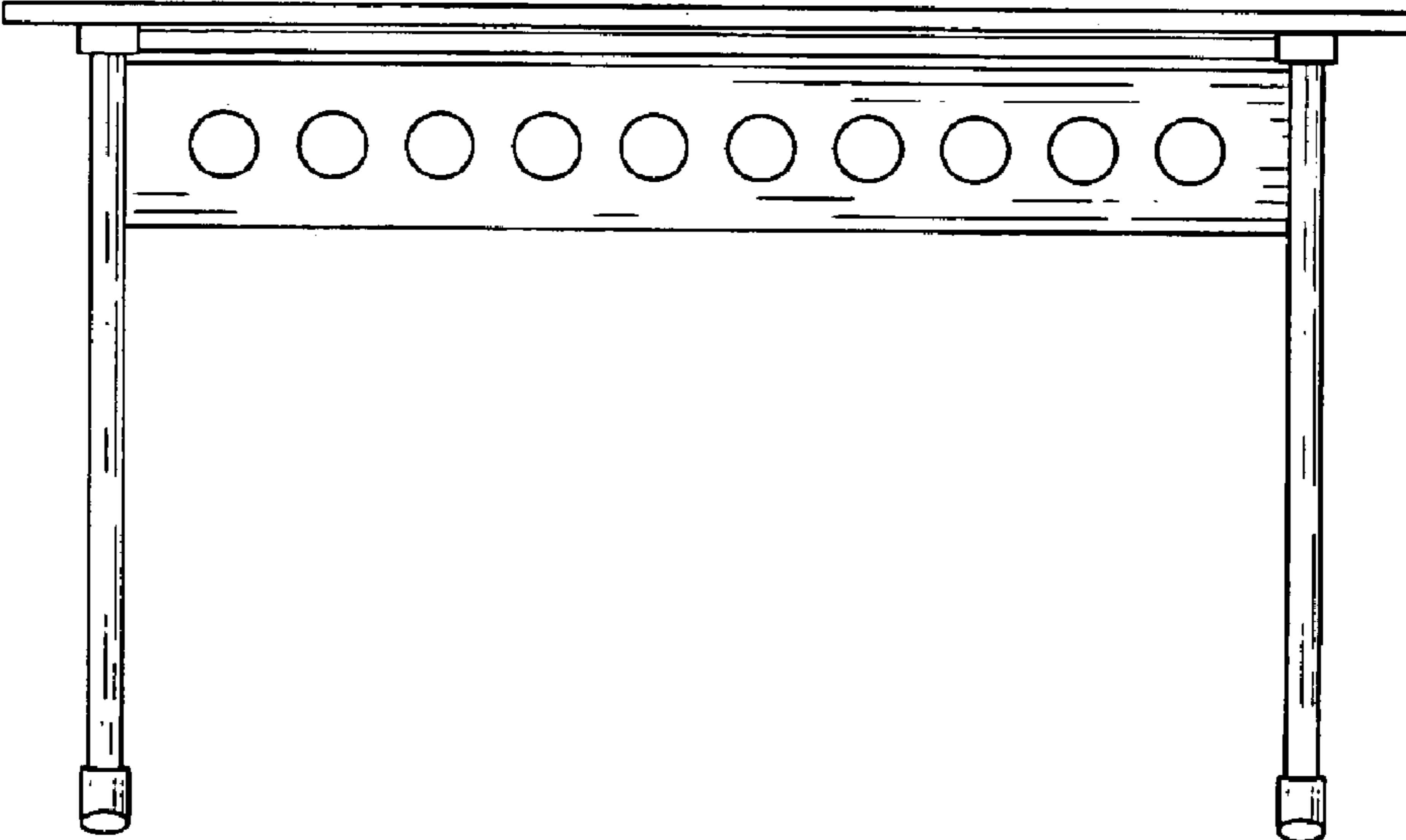


FIG. 3

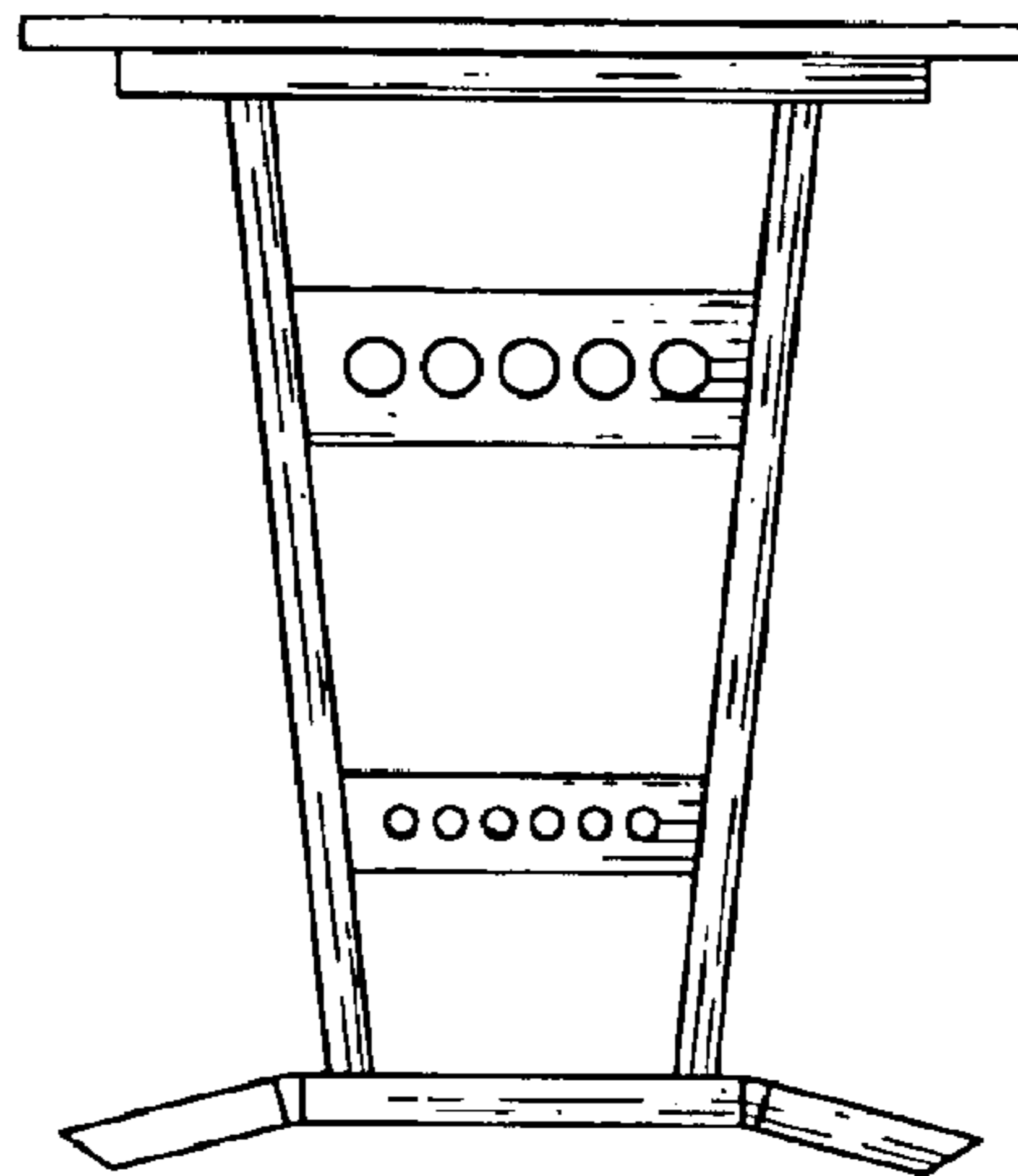


FIG. 4

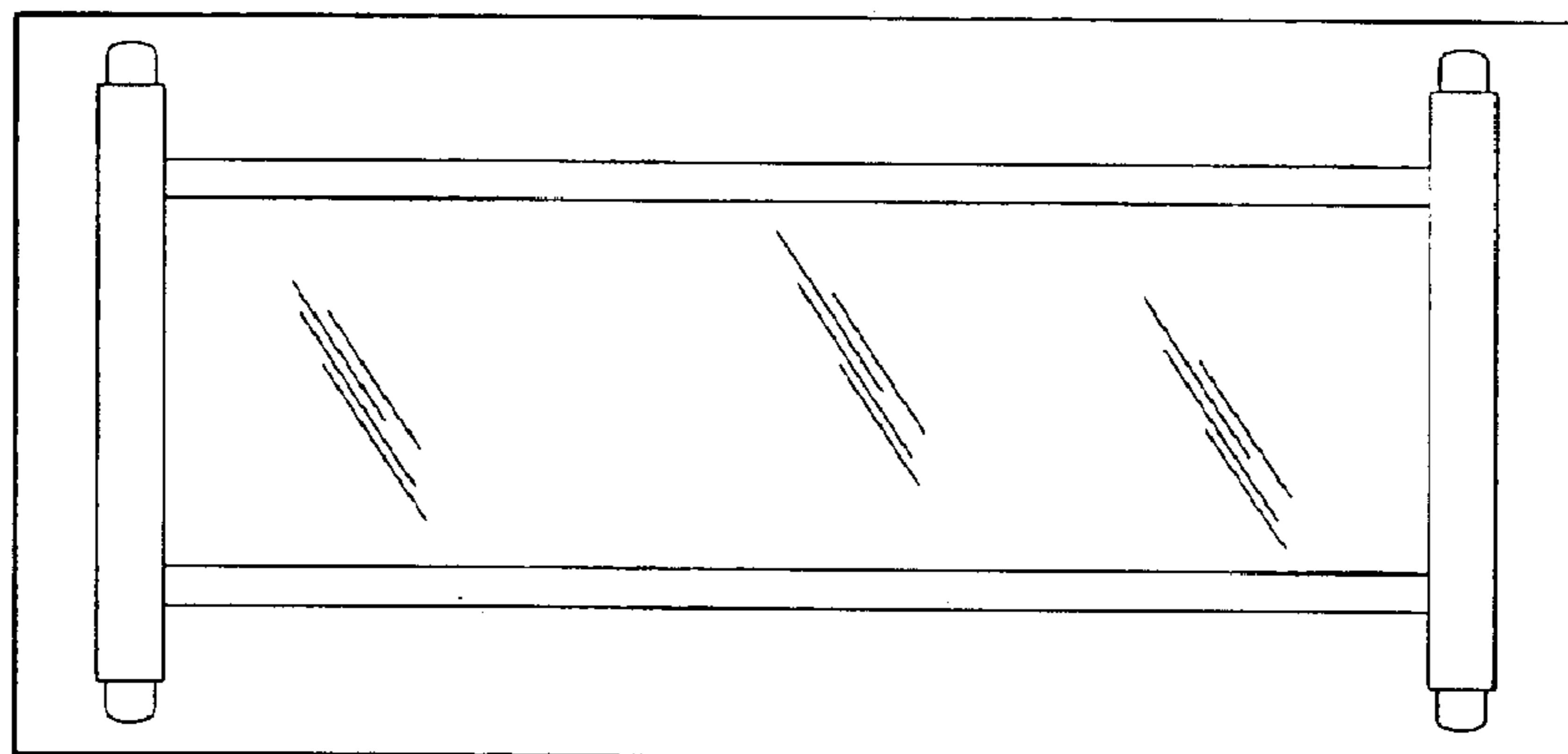


FIG. 5

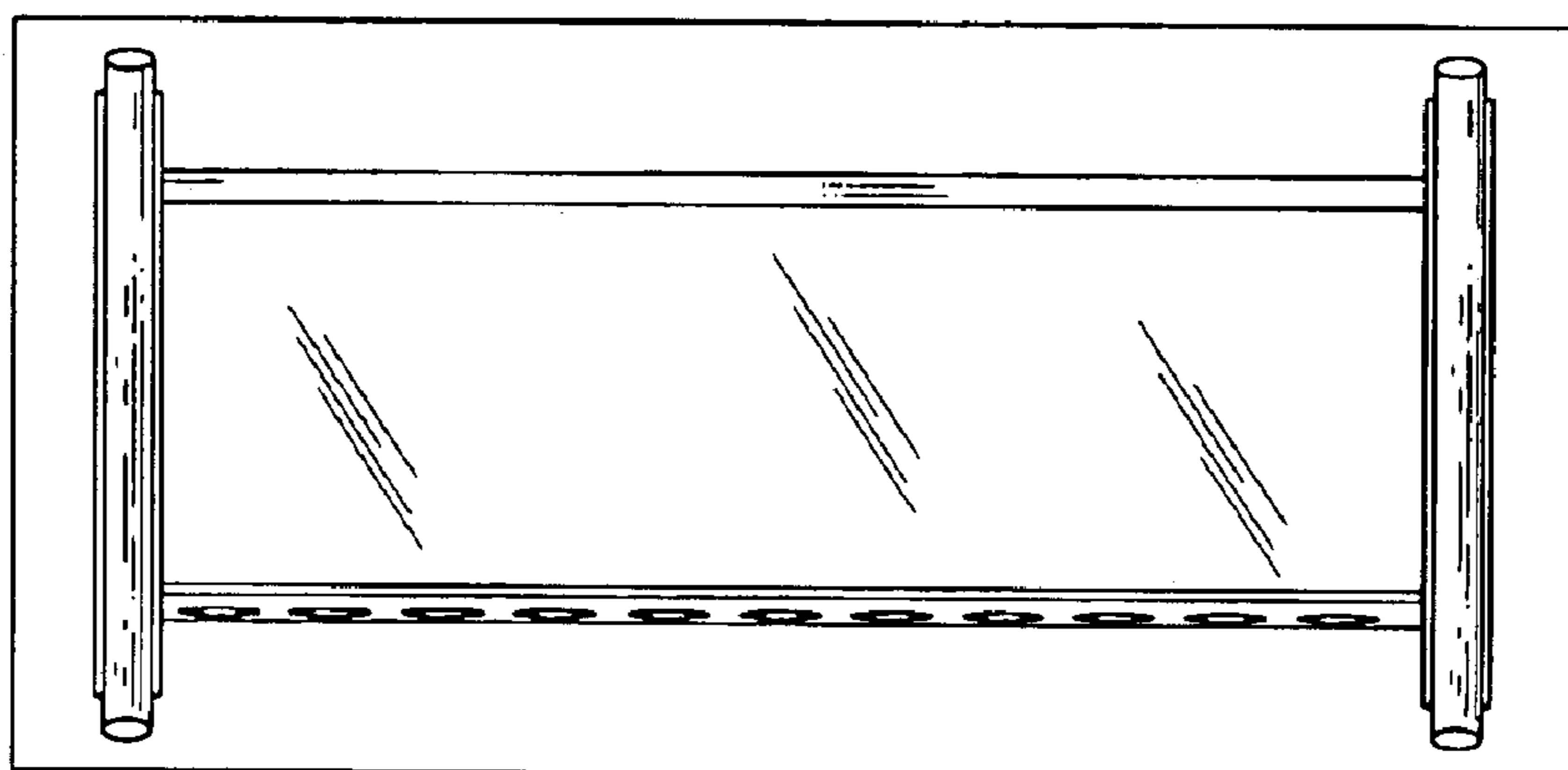


FIG. 6