

US00D506623S

(12) **United States Design Patent**  
**Ohkubo**

(10) **Patent No.:** **US D506,623 S**  
(45) **Date of Patent:** **\*\* Jun. 28, 2005**

(54) **GOODS DISPLAY STAND**

(75) **Inventor:** **Teruaki Ohkubo, Chuo-ku (JP)**

(73) **Assignee:** **Kawajun Co., LTD, Tokyo (JP)**

(\*\*) **Term:** **14 Years**

(21) **Appl. No.:** **29/206,760**

(22) **Filed:** **Jun. 4, 2004**

(30) **Foreign Application Priority Data**

Dec. 4, 2003 (JP) ..... 2003-036082

(51) **LOC (8) Cl.** ..... **06-04**

(52) **U.S. Cl.** ..... **D6/474**

(58) **Field of Search** ..... D6/460, 461, 468,  
D6/474, 477-479; 108/59, 91, 92, 96; 211/40,  
41.12, 42, 49.1, 50, 85.2, 90.04, 187, 190,  
119.003, 134.153, 87.01, 71.01

(56) **References Cited**

**U.S. PATENT DOCUMENTS**

- D93,277 S \* 9/1934 Lapin et al. .... D6/474
- D145,950 S \* 11/1946 Martino ..... D6/474
- 2,528,838 A \* 11/1950 Martino ..... D6/474
- D282,225 S \* 1/1986 Sandy ..... D6/474

- D300,489 S \* 4/1989 Antonellis ..... D6/466
- D327,385 S \* 6/1992 Allen ..... D6/474
- D337,903 S \* 8/1993 Shelton, Jr. .... D6/474
- D390,380 S \* 2/1998 Furnell ..... D6/474
- D487,651 S \* 3/2004 Bloch et al. .... D6/474

\* cited by examiner

*Primary Examiner*—Cathron Brooks

(74) *Attorney, Agent, or Firm*—Oblon, Spivak, McClelland,  
Maier & Neustadt, P.C.

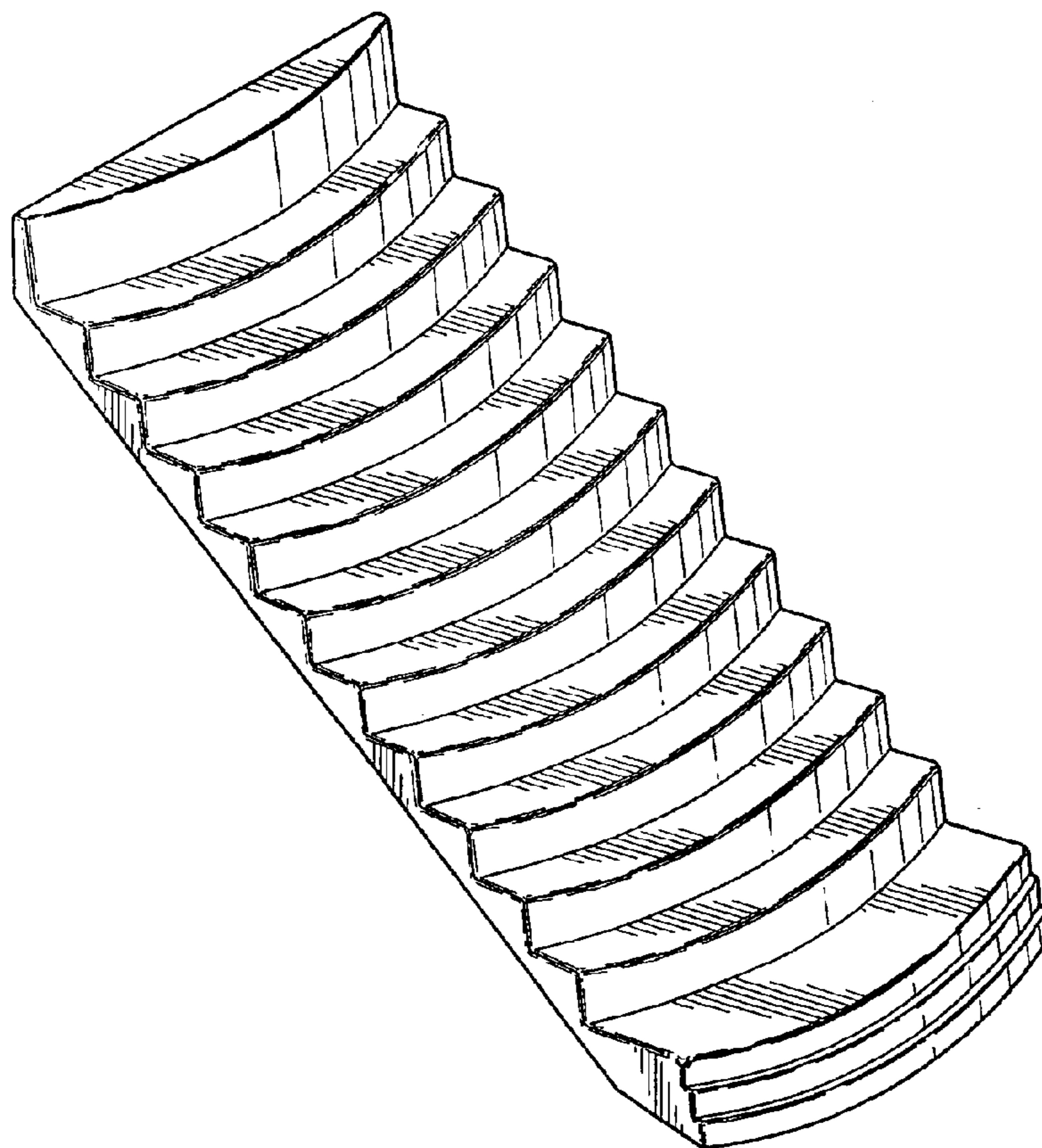
(57) **CLAIM**

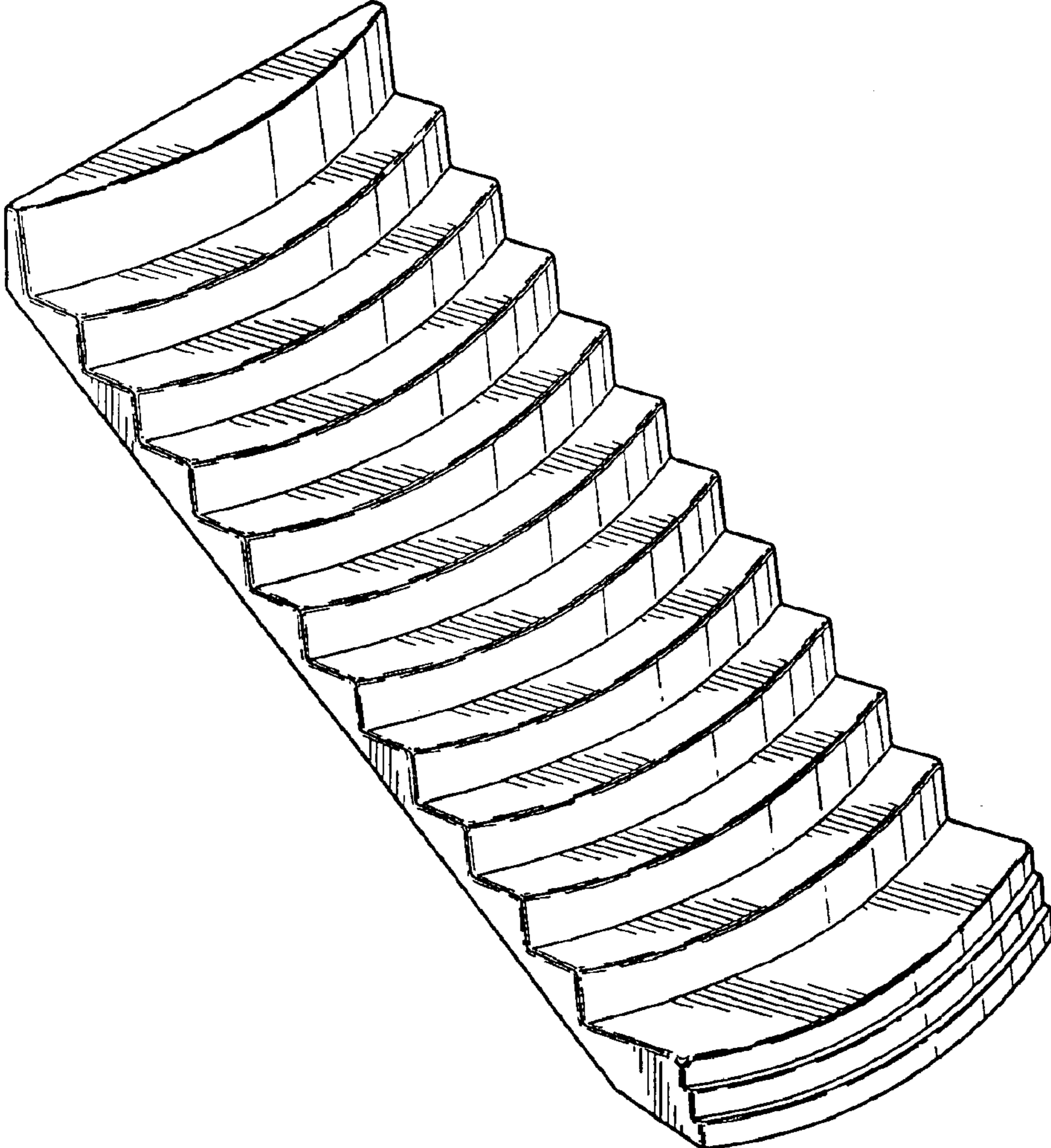
The ornamental design for a goods display stand, as shown  
and described.

**DESCRIPTION**

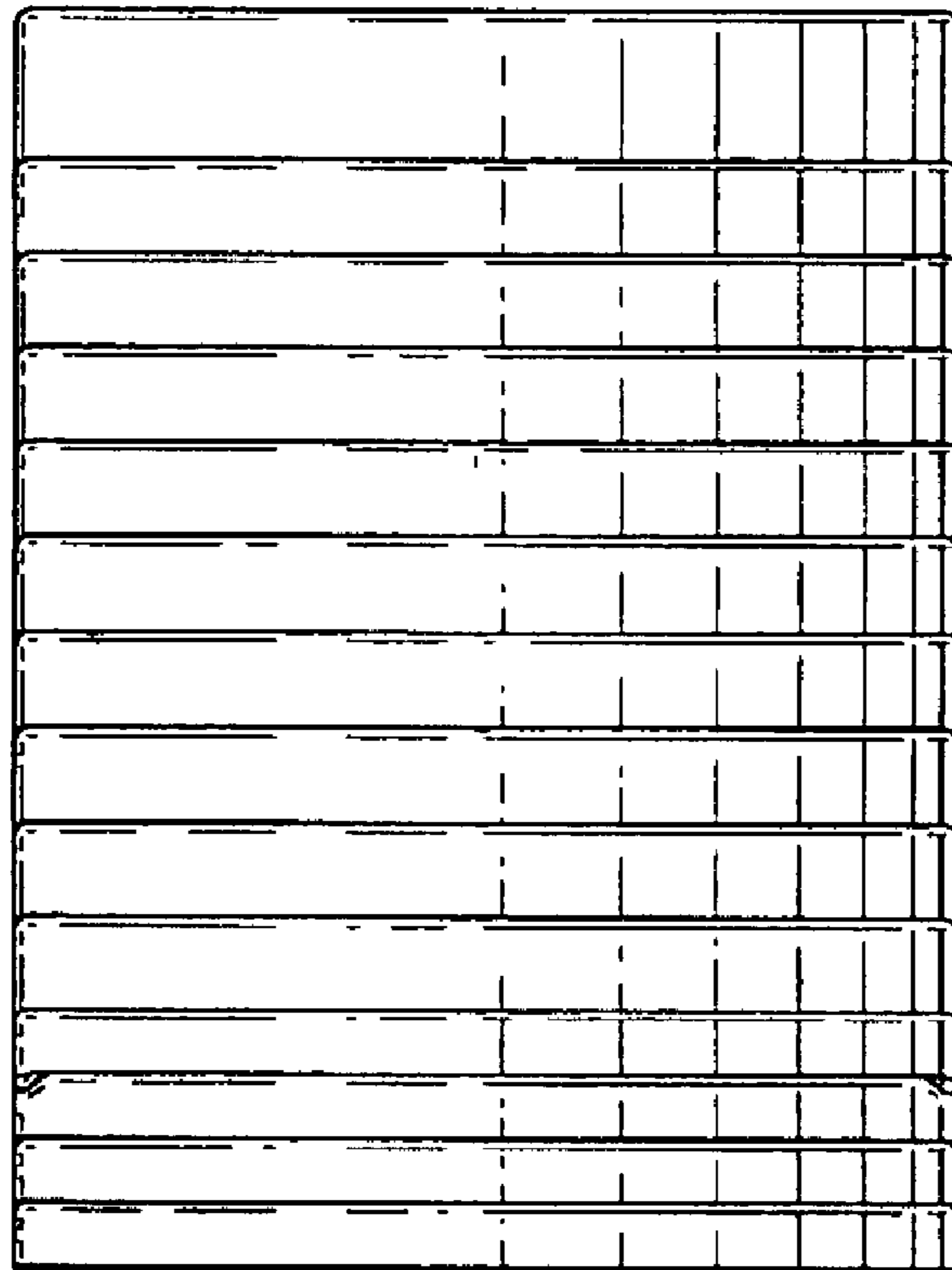
FIG. 1 is a top and left front perspective view of a goods display stand, showing my design;  
 FIG. 2 is a front elevational view thereof;  
 FIG. 3 is a rear elevational view thereof;  
 FIG. 4 is a right side elevational view thereof, the left side elevational view being a mirror image of the side view shown;  
 FIG. 5 is a top plan view thereof; and,  
 FIG. 6 is a bottom plan view thereof.

**1 Claim, 6 Drawing Sheets**

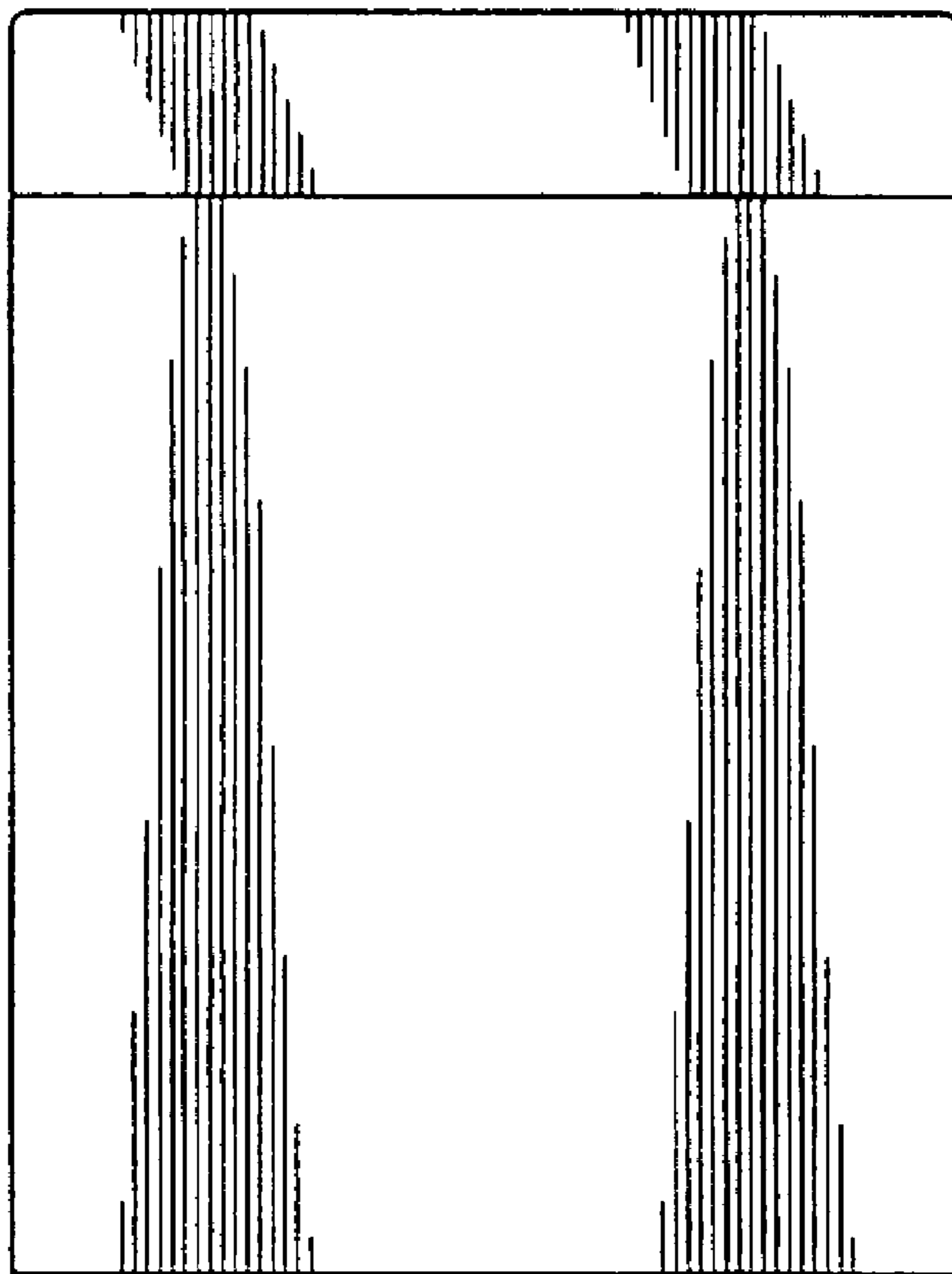




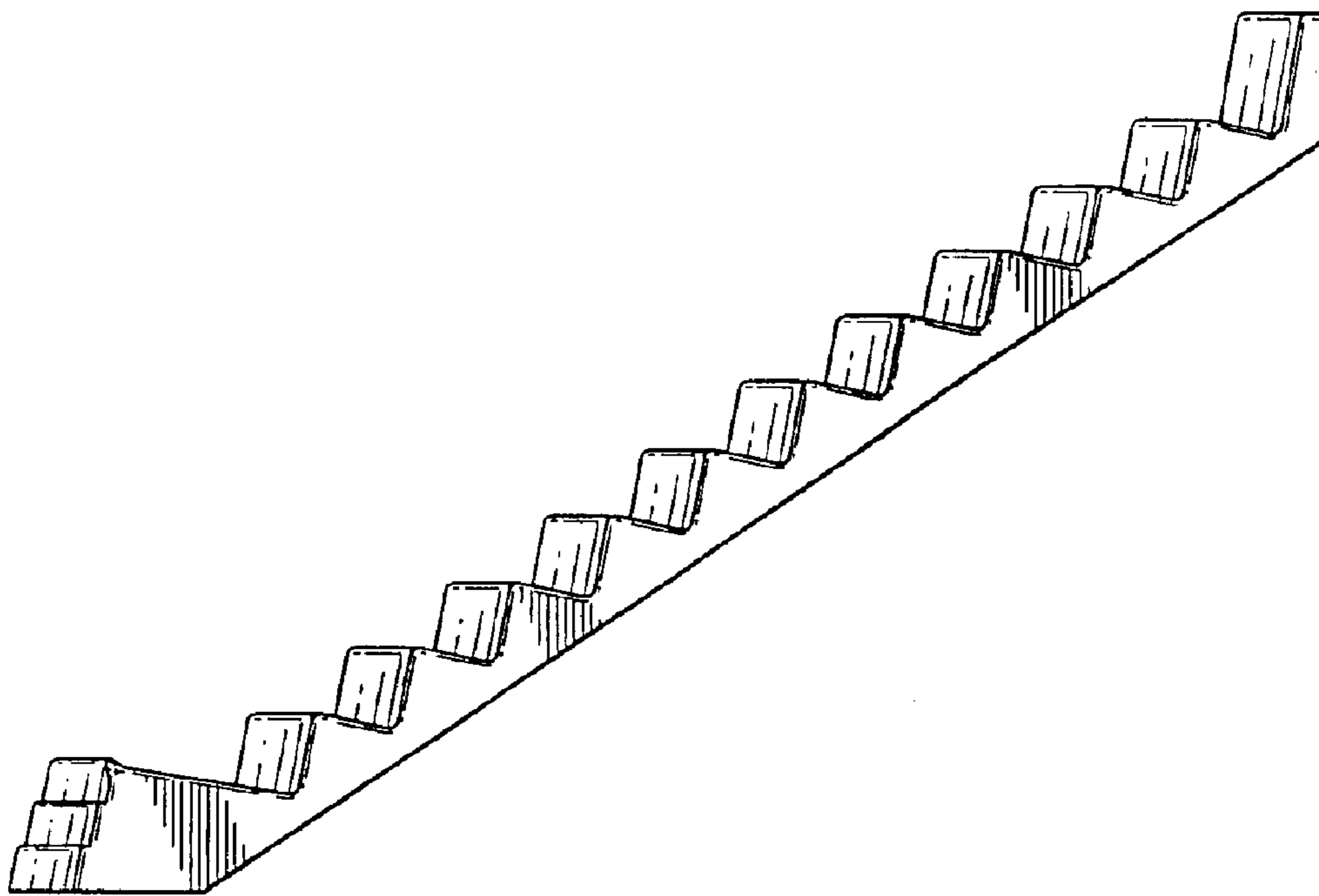
*FIG. 1*



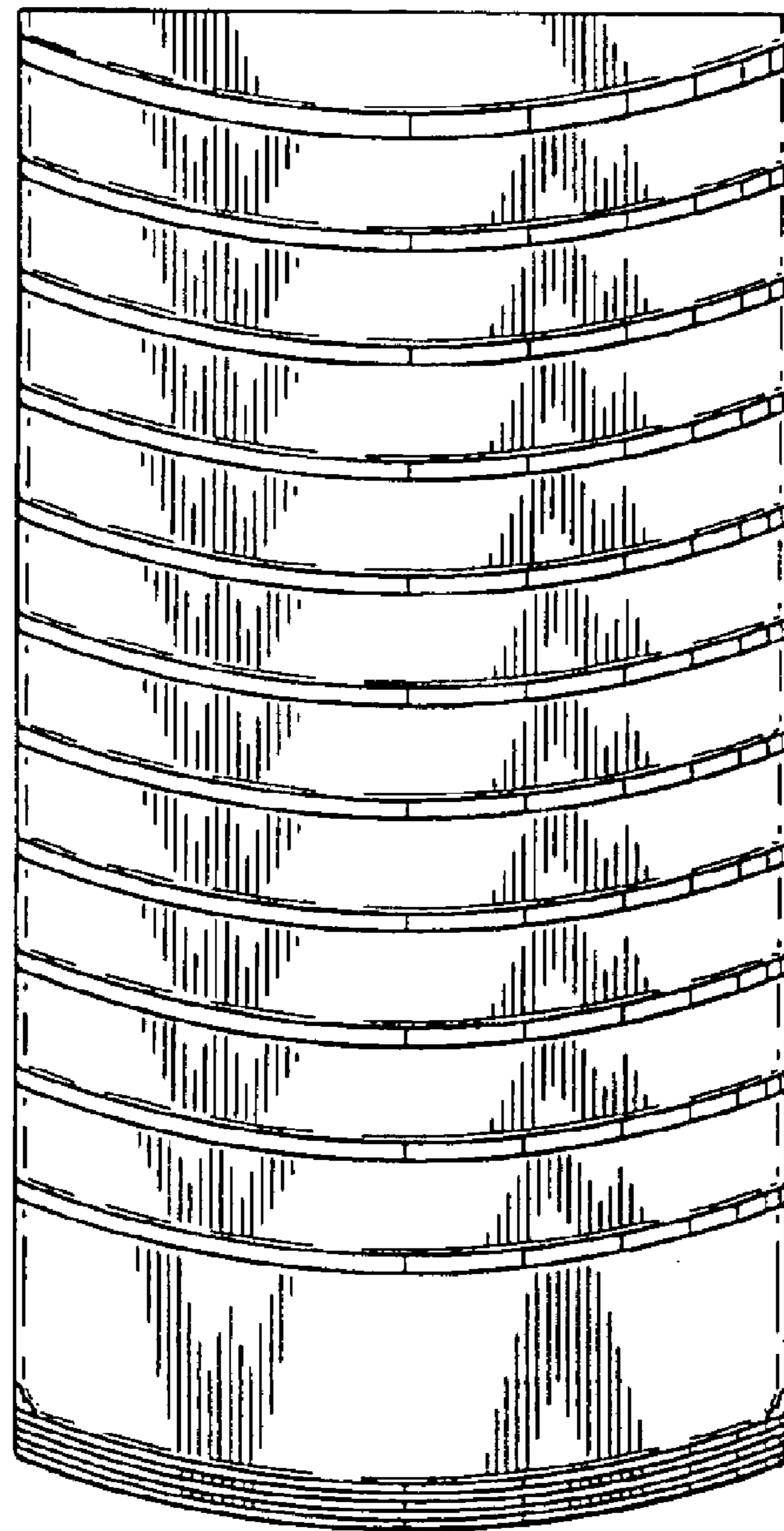
*FIG. 2*



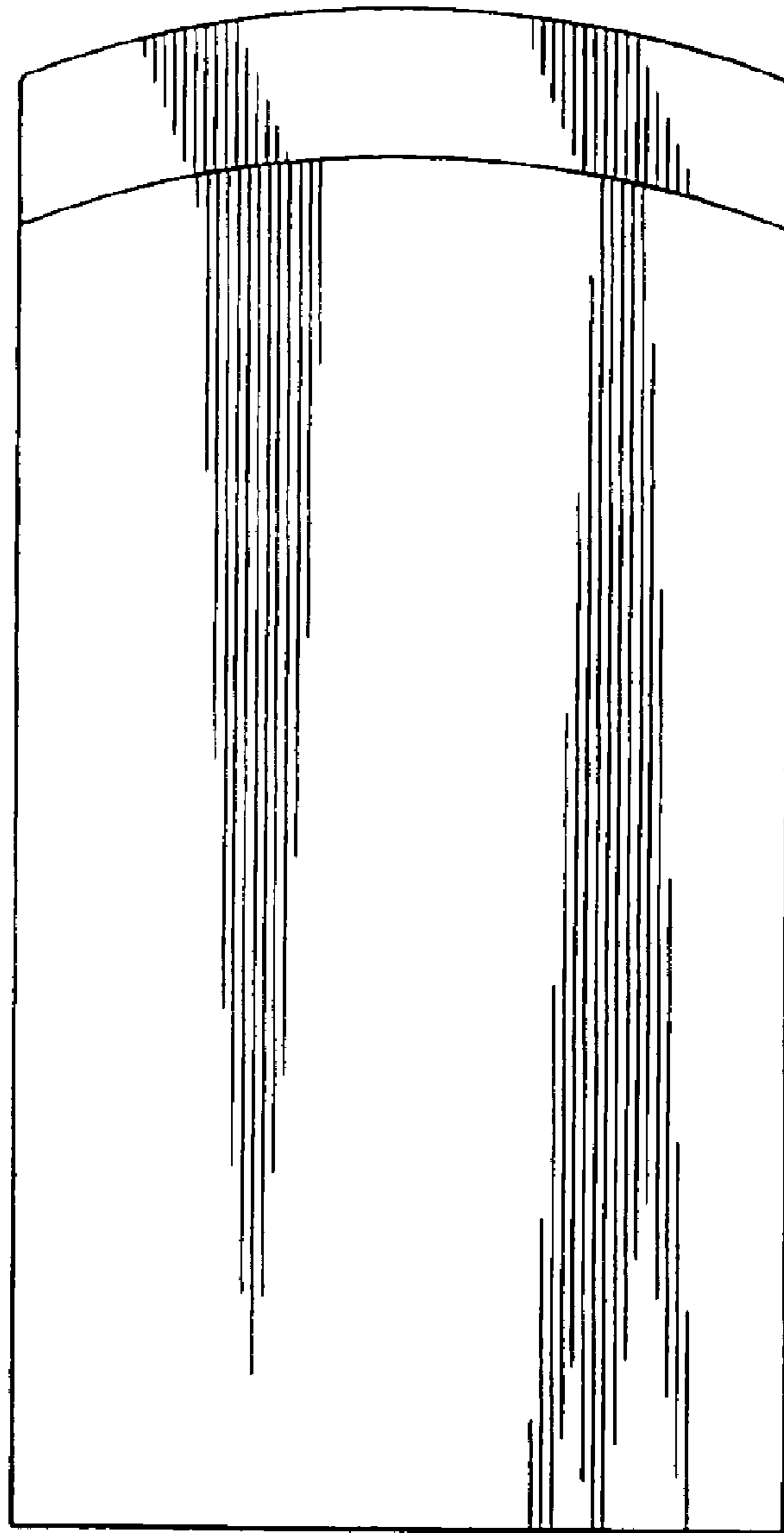
*FIG. 3*



*FIG. 4*



*FIG. 5*



*FIG. 6*