

US00D506620S

(12) **United States Design Patent**
Leung et al.

(10) **Patent No.:** **US D506,620 S**
(45) **Date of Patent:** **** Jun. 28, 2005**

(54) **METAL GARMENT HOOK WITH SIZE INDICATOR**

(75) Inventors: **Ho Leung**, Kowloon (HK); **Ho Alex Hin**, Kowloon (HK)

(73) Assignee: **The Build-Up Plastic & Metal Co., Ltd.**, Kowloon (HK)

(**) Term: **14 Years**

(21) Appl. No.: **29/209,209**

(22) Filed: **Jul. 12, 2004**

(51) **LOC (8) Cl.** **06-08**

(52) **U.S. Cl.** **D6/328**

(58) **Field of Search** D6/328, 315, 323, D6/325; D8/395; D32/64; D20/22, 27, 28, 42; 40/322; 223/85, 88, 90, 91, 93, 96

(56) **References Cited**

U.S. PATENT DOCUMENTS

1,142,720 A	6/1915	McAuley
1,321,926 A	11/1919	Landry
1,348,952 A	8/1920	Landry
1,389,266 A	8/1921	Newton

(Continued)

FOREIGN PATENT DOCUMENTS

GB	2 064 472 A	6/1981
GB	2 140 679 A	12/1984

OTHER PUBLICATIONS

Reference Hanger 1—Photographs of commercially-available garment hanger with size indicator—date unknown.
Reference Hanger 2—Photographs of commercially-available garment hanger with size indicator—date unknown.
Reference Hanger 3—Photographs of commercially-available garment hanger with size indicator—date unknown.
Reference Hanger 4—Photographs of commercially-available garment hanger with size indicator—date unknown.

Reference Hanger 5—Photographs of commercially-available garment hanger with size indicator—date unknown.
Reference Hanger 6—Photographs of commercially-available garment hanger with size indicator—date unknown.
Reference Hanger 7—Photographs of commercially-available garment hanger with size indicator—date unknown.
Reference Hanger 8—Photographs of commercially-available garment hanger with size indicator—date unknown.
Reference Hanger 9—Photographs of commercially-available garment hanger with size indicator—date unknown.
Reference Hanger 10—Photographs of commercially-available garment hanger with size indicator—date unknown.
Reference Hanger 11—Photographs of commercially-available garment hanger with size indicator—date unknown.
Reference Hanger 12—Photograph of commercially-available garment hanger with size indicator—date unknown.

Primary Examiner—Stella Reid

Assistant Examiner—Shanda C. Hill

(74) *Attorney, Agent, or Firm*—Hoffman & Baron, LLP

(57) **CLAIM**

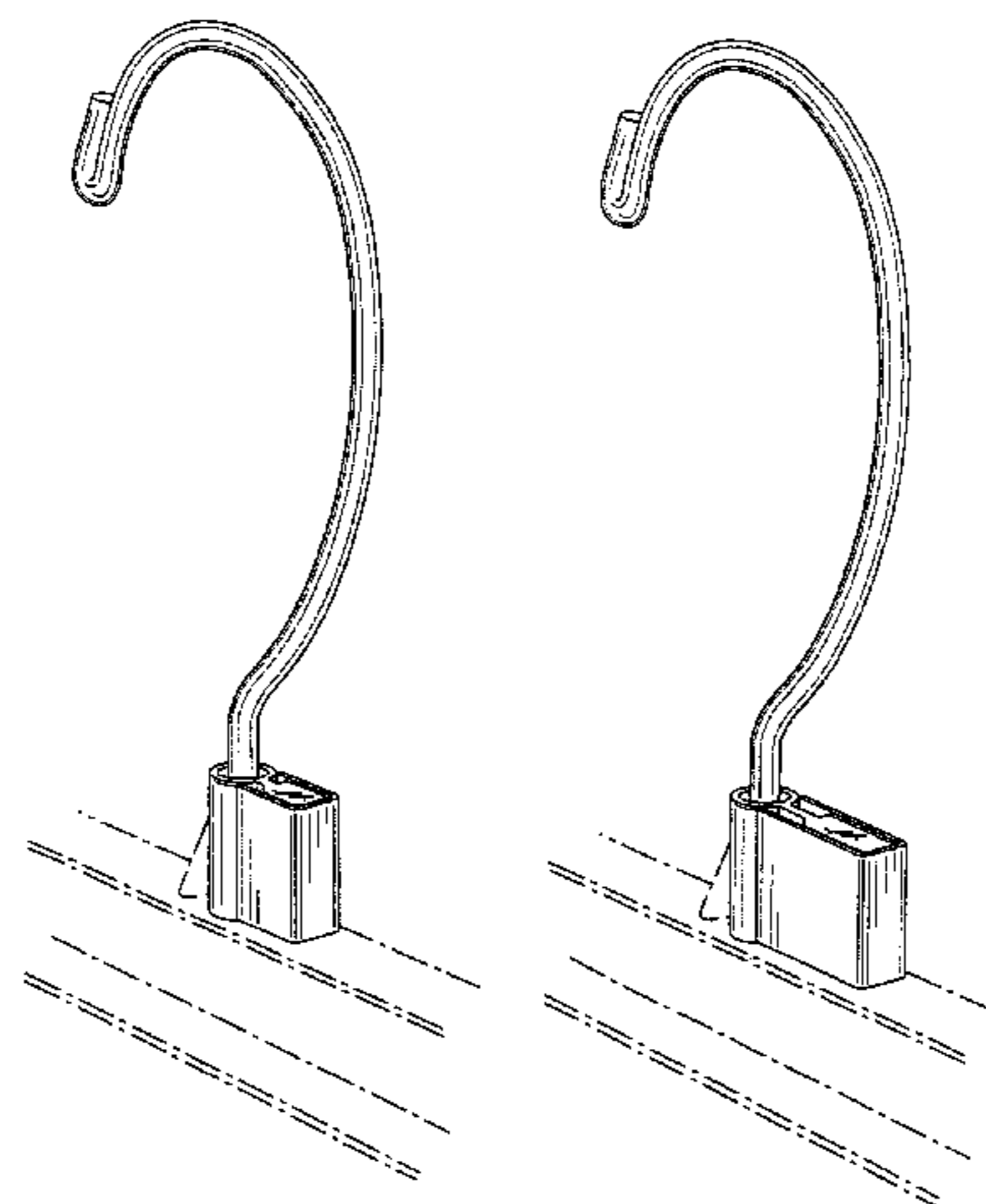
The ornamental design for a metal garment hook with size indicator, as shown and described.

DESCRIPTION

FIG. 1 is a perspective view of a size indicator for a metal hook hanger showing our new design;
FIG. 2 is a front elevation view thereof;
FIG. 3 is an end view thereof;
FIG. 4 is a perspective view of a second embodiment of the design of FIG. 1;
FIG. 5 is a front elevation view thereof; and,
FIG. 6 is an end view thereof.

The subject matter shown in broken lines is for illustrative purposes only and forms no part of the claimed design. The side elevation views (opposite the sides shown in FIGS. 3 and 6), the top views and bottom views (all not shown) form no part of the claimed design.

1 Claim, 4 Drawing Sheets



US D506,620 S

U.S. PATENT DOCUMENTS

1,710,296 A	4/1929	Clark		5,573,151 A	11/1996	Fildan
2,166,492 A	7/1939	Harvey		5,586,697 A	12/1996	Johansson
2,690,863 A	10/1954	Adelman		5,590,822 A	1/1997	Zuckerman
2,801,036 A	7/1957	Klein		5,597,100 A	1/1997	Blitz
3,024,953 A	3/1962	O'Keefe		5,603,437 A	2/1997	Zuckerman
D192,845 S	5/1962	Cohen		5,611,469 A	3/1997	Eiley et al.
3,535,808 A	10/1970	Morrish		5,613,629 A	3/1997	Zuckerman
D229,810 S	1/1974	Wahl		5,628,132 A	5/1997	Marshall et al.
D235,639 S	7/1975	Cohen		5,641,100 A	6/1997	Mitchell et al.
3,898,754 A	8/1975	Johansson		5,642,840 A	7/1997	Abdi
3,949,914 A	4/1976	Ostroll		5,683,018 A	11/1997	Sullivan et al.
4,006,547 A	2/1977	Samuels et al.		5,687,887 A	11/1997	Bond et al.
4,017,990 A	4/1977	Garrison		5,775,553 A	7/1998	Marshall et al.
D244,197 S	5/1977	Ostroll		5,778,575 A	7/1998	Deupree et al.
4,045,899 A	9/1977	Richardson		5,794,363 A	8/1998	Marshall et al.
4,115,940 A	9/1978	Phillips		5,819,995 A	10/1998	Zuckerman
4,123,864 A	11/1978	Batts et al.		5,857,276 A	1/1999	Marshall et al.
4,137,661 A	2/1979	Johansson		5,884,422 A	3/1999	Marshall et al.
4,160,333 A	7/1979	Indelicato		D410,793 S	6/1999	Gouldson
4,198,773 A	4/1980	Batts et al.		5,913,462 A	6/1999	Petrou
4,322,902 A	4/1982	Lenthall		5,944,237 A	8/1999	Gouldson
4,450,639 A	5/1984	Duester		D414,044 S	9/1999	Choi et al.
4,656,767 A *	4/1987	Tarrant	40/316	5,950,883 A	9/1999	Bond et al.
4,679,340 A	7/1987	Johansson		6,019,260 A	2/2000	Gouldson
4,756,104 A	7/1988	Bailey		6,029,868 A	2/2000	Willinger et al.
4,881,836 A	11/1989	Blanchard		6,041,983 A	3/2000	Sullivan et al.
4,886,195 A	12/1989	Blanchard		6,041,984 A	3/2000	Gouldson
4,967,500 A	11/1990	Bredeweg		6,145,713 A	11/2000	Zuckerman
4,997,114 A	3/1991	Petrou		6,189,746 B1	2/2001	Gouldson
5,056,248 A	10/1991	Blanchard		D438,908 S *	3/2001	Najmi D20/28
D321,913 S *	11/1991	Wolff	D20/27	D438,909 S *	3/2001	Najmi D20/28
5,096,101 A	3/1992	Norman et al.		D440,409 S	4/2001	Blanchard
D325,400 S *	4/1992	Wolff	D20/42	6,260,745 B1	7/2001	Gouldson et al.
5,135,141 A	8/1992	Harmer et al.		6,264,075 B1	7/2001	Gouldson et al.
5,199,608 A	4/1993	Zuckerman		6,378,744 B2	4/2002	Olk et al.
5,238,159 A	8/1993	Zuckerman		6,382,478 B2	5/2002	Gouldson et al.
5,305,933 A	4/1994	Zuckerman		6,409,057 B1	6/2002	Kim
5,377,884 A	1/1995	Zuckerman		6,422,437 B2	7/2002	Gouldson et al.
5,381,938 A	1/1995	Vasudeva		6,499,633 B1	12/2002	Pogmore
5,383,583 A	1/1995	Zuckerman		6,499,634 B2	12/2002	Olk et al.
5,388,354 A	2/1995	Marshall et al.		6,523,240 B1	2/2003	Gouldson
5,407,109 A	4/1995	Zuckerman		6,564,980 B2	5/2003	Gouldson et al.
5,441,182 A	8/1995	Sullivan		6,609,640 B1	8/2003	Bokmiller
5,449,099 A	9/1995	Blanchard		6,622,897 B2	9/2003	Bokmiller et al.
5,469,995 A	11/1995	Bredeweg et al.		2001/0011663 A1	8/2001	Olk et al.
5,477,995 A	12/1995	Dooley et al.		2001/0016994 A1	8/2001	Gouldson et al.
5,485,943 A	1/1996	Zuckerman		2001/0019070 A1	9/2001	Gouldson et al.
5,503,310 A	4/1996	Zuckerman et al.		2003/0019137 A1	1/2003	Giustini et al.
5,524,801 A	6/1996	Dooley et al.		2003/0178451 A1	9/2003	Giustini et al.

* cited by examiner

FIG. 1

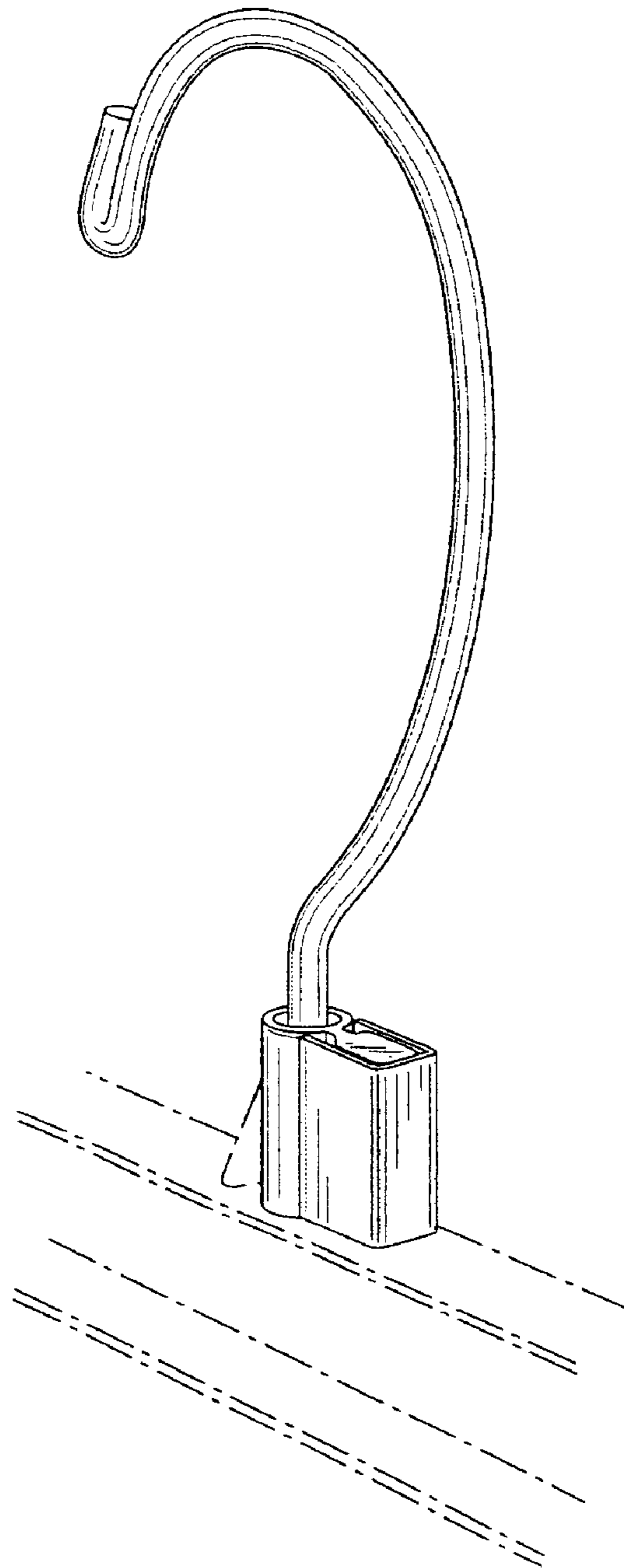


FIG. 2

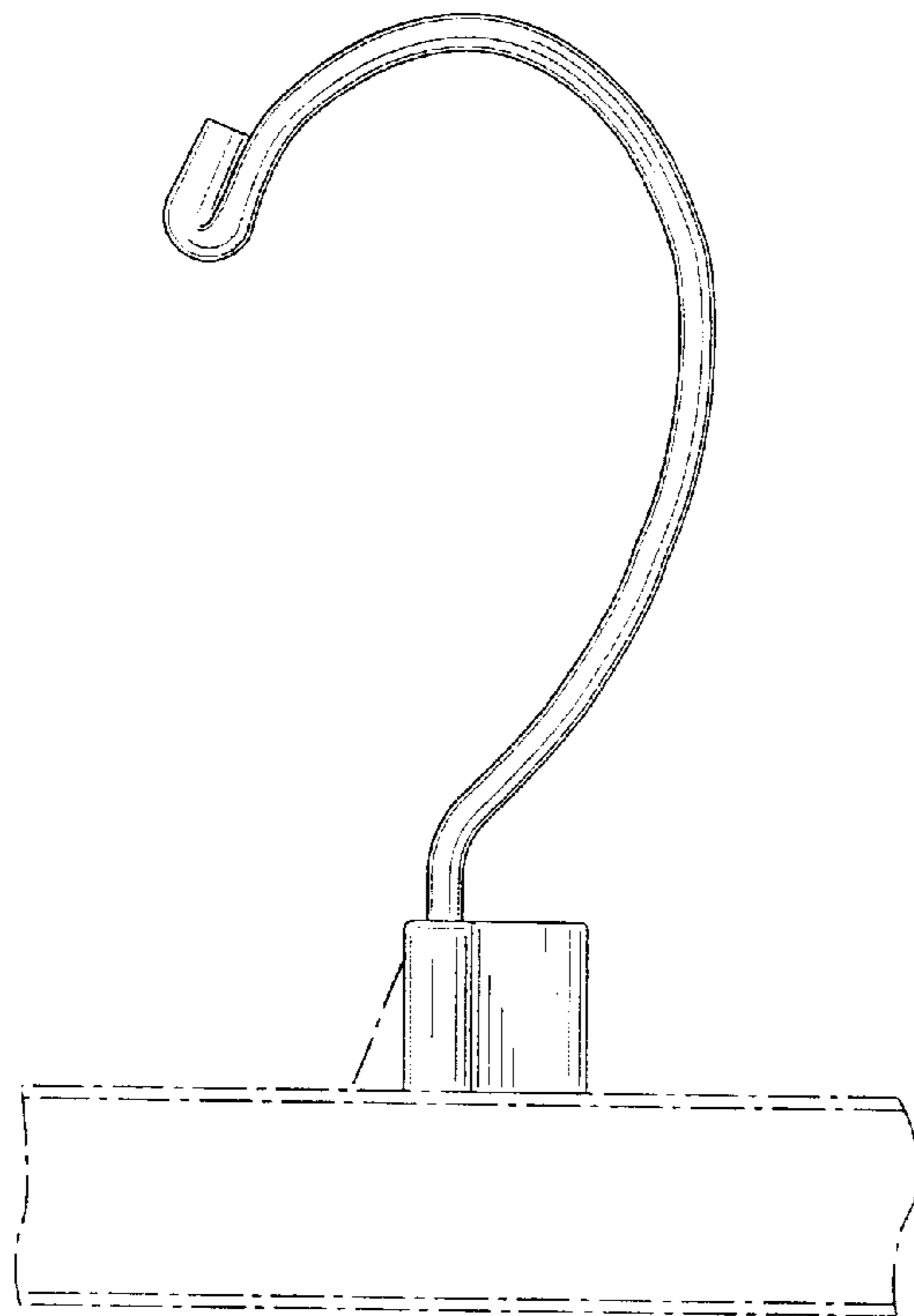


FIG. 3

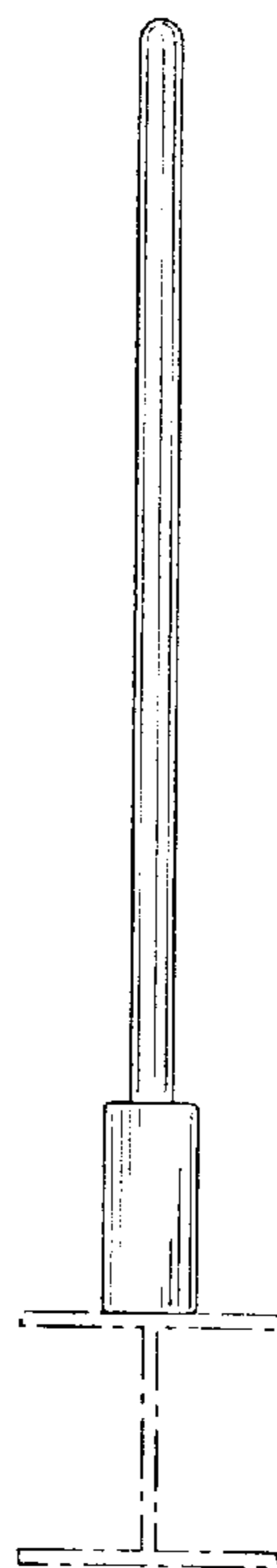


FIG. 4

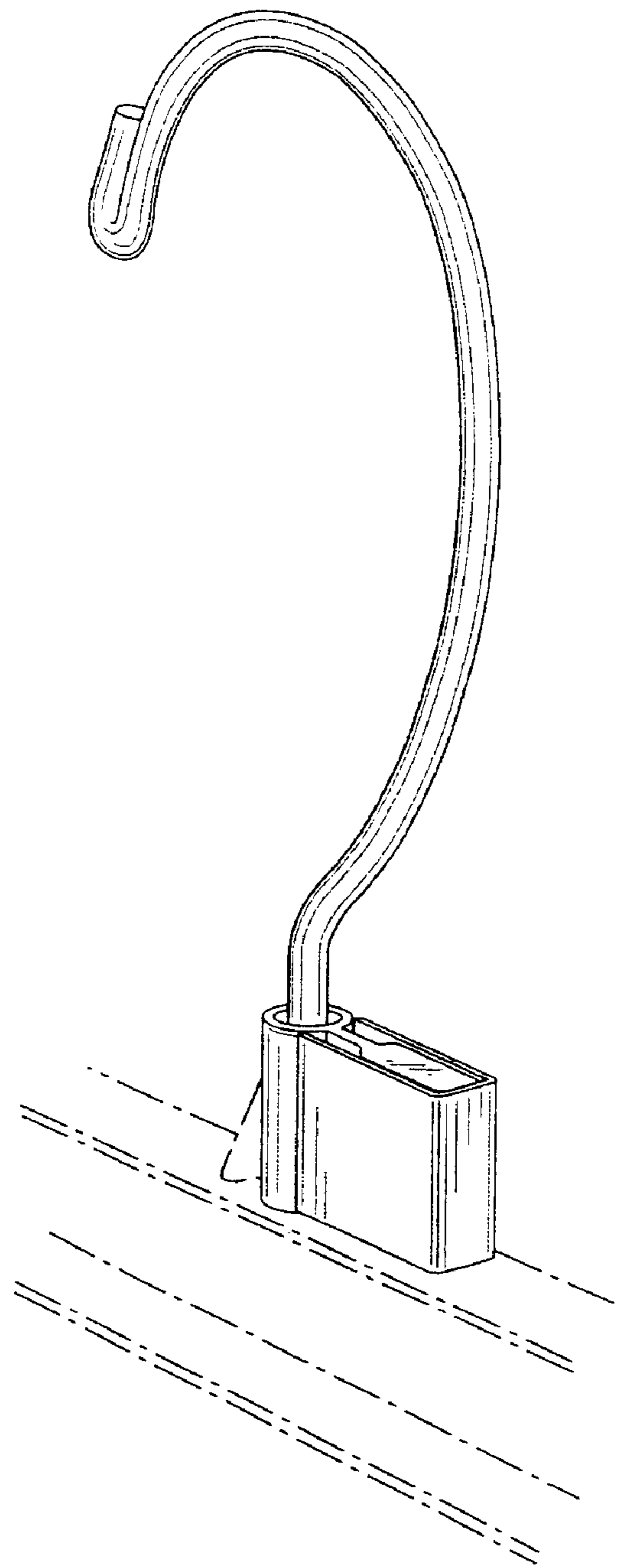


FIG. 5

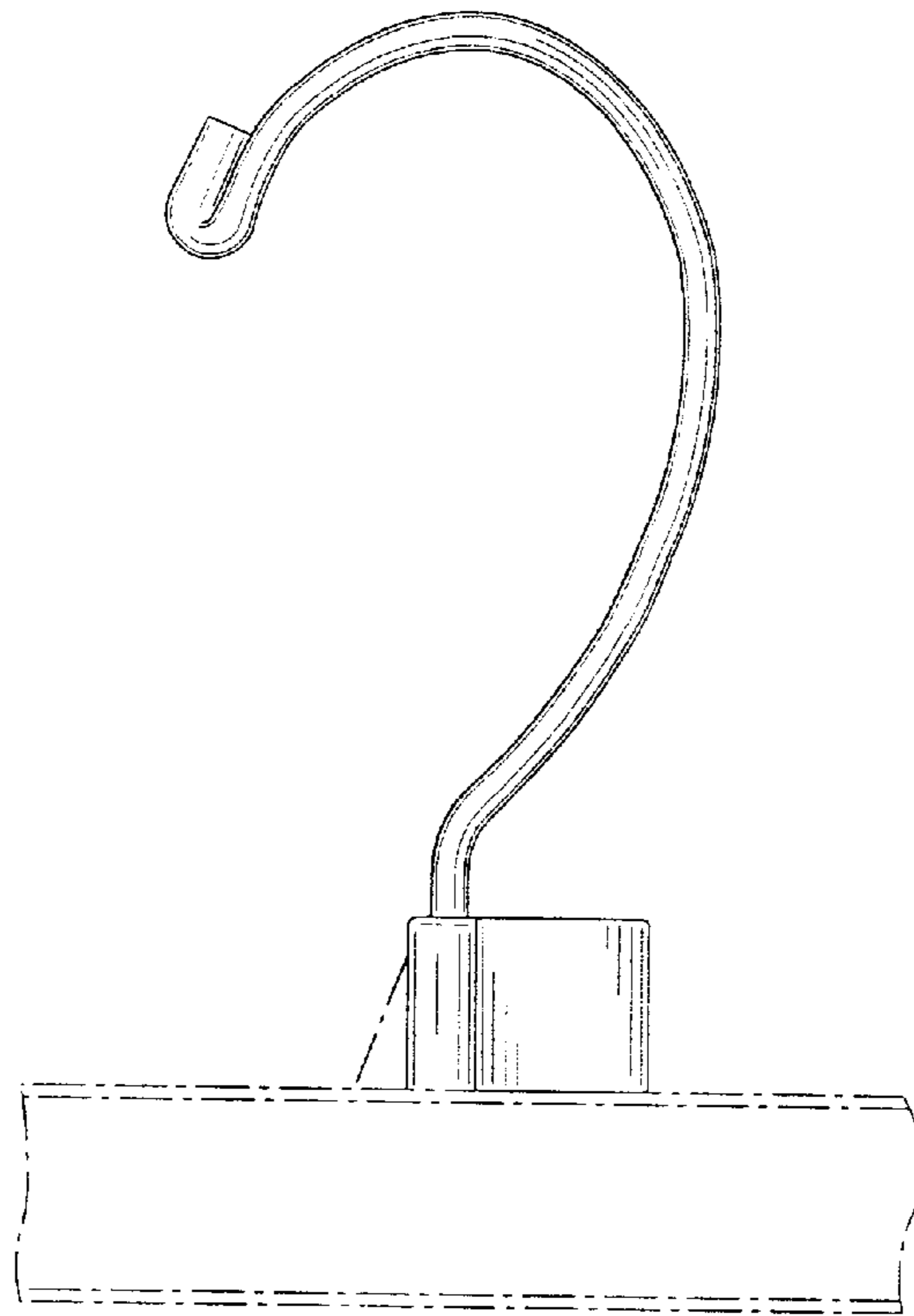


FIG. 6

