

US00D506614S

(12) **United States Design Patent**
Pangerc et al.

(10) **Patent No.: US D506,614 S**
(45) **Date of Patent: ** Jun. 28, 2005**

(54) **SEPARATOR FOR A CONTAINER**
(75) Inventors: **James Pangerc**, Parkville, MD (US);
Gregory Scott Snider, Bel Air, MD (US)

(73) Assignee: **Black & Decker Inc.**, Newark, DE (US)

(**) Term: **14 Years**

(21) Appl. No.: **29/214,148**

(22) Filed: **Sep. 28, 2004**

Related U.S. Application Data

(62) Division of application No. 29/159,474, filed on Apr. 19, 2002, now Pat. No. Des. 496,793.

(51) **LOC (8) Cl.** **03-01**

(52) **U.S. Cl.** **D3/319**

(58) **Field of Search** D3/304, 305, 307,
D3/313, 314, 318, 319, 273, 276, 282,
294, 905; 182/153; 206/372, 509, 551,
561; 211/126.5, 189; 220/4.03, 4.31, 522,
529, 532, 533, 551, 552

(56) **References Cited**

U.S. PATENT DOCUMENTS

3,581,906 A * 6/1971 Joyce 206/509
4,346,813 A * 8/1982 Cho et al. 220/532

4,838,445 A * 6/1989 Lanius 220/533
4,884,689 A 12/1989 Su-Chin
D330,621 S * 10/1992 Apps D3/318
5,289,941 A * 3/1994 Blankenburg et al. 220/553
5,553,710 A * 9/1996 Takama 206/561
5,915,553 A 6/1999 Brown et al.

FOREIGN PATENT DOCUMENTS

DE DT1814157 12/1968
WO WO 94/11258 5/1994

* cited by examiner

Primary Examiner—Louis S. Zarfaz

Assistant Examiner—Monica A. Weingart

(74) *Attorney, Agent, or Firm*—Harness, Dickey & Pierce, P.L.C.

(57) **CLAIM**

The ornamental design for a separator for a container, as shown and described.

DESCRIPTION

FIG. 1 is a top perspective view of a separator for a container showing our new design;

FIG. 2 is a bottom view thereof;

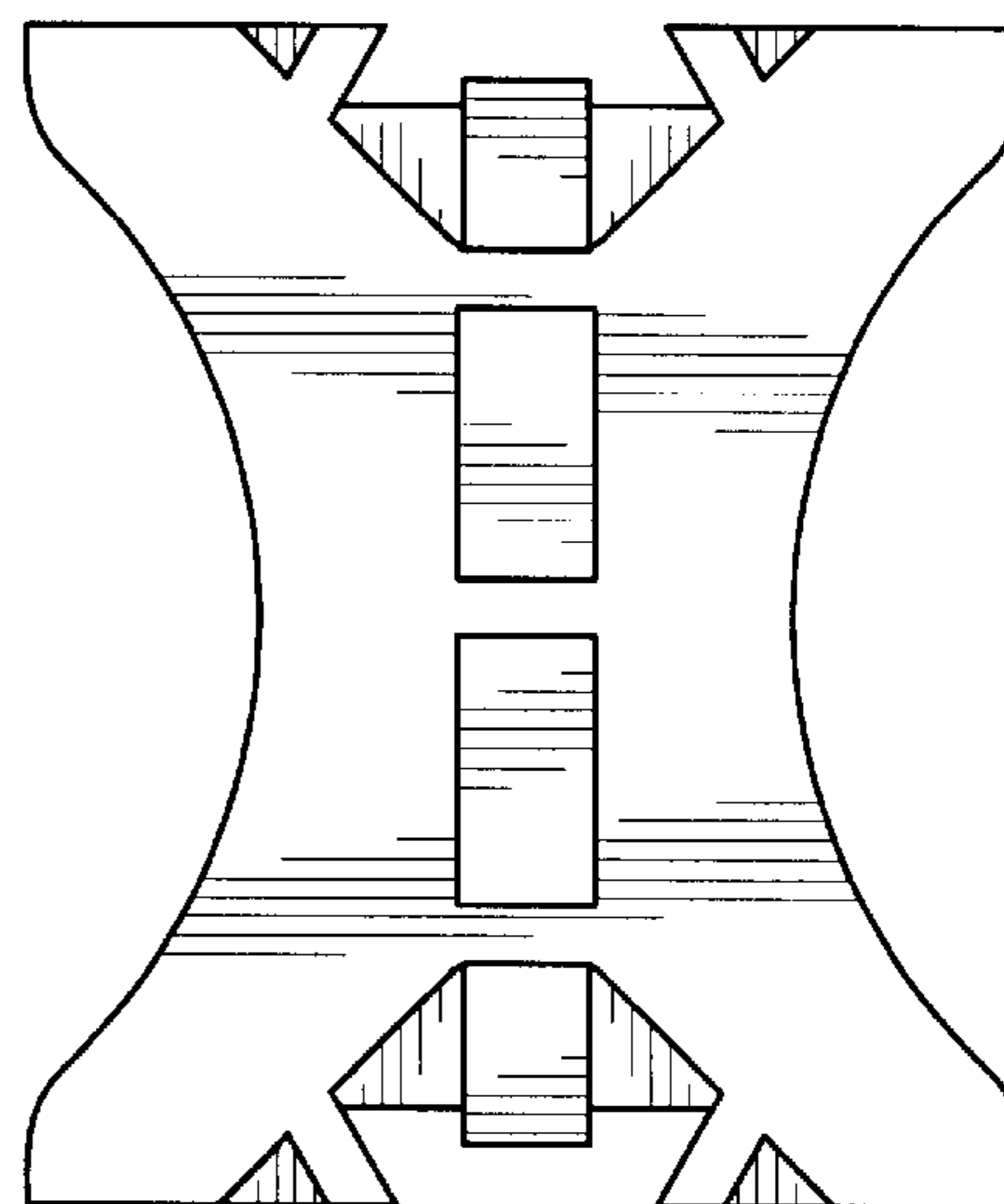
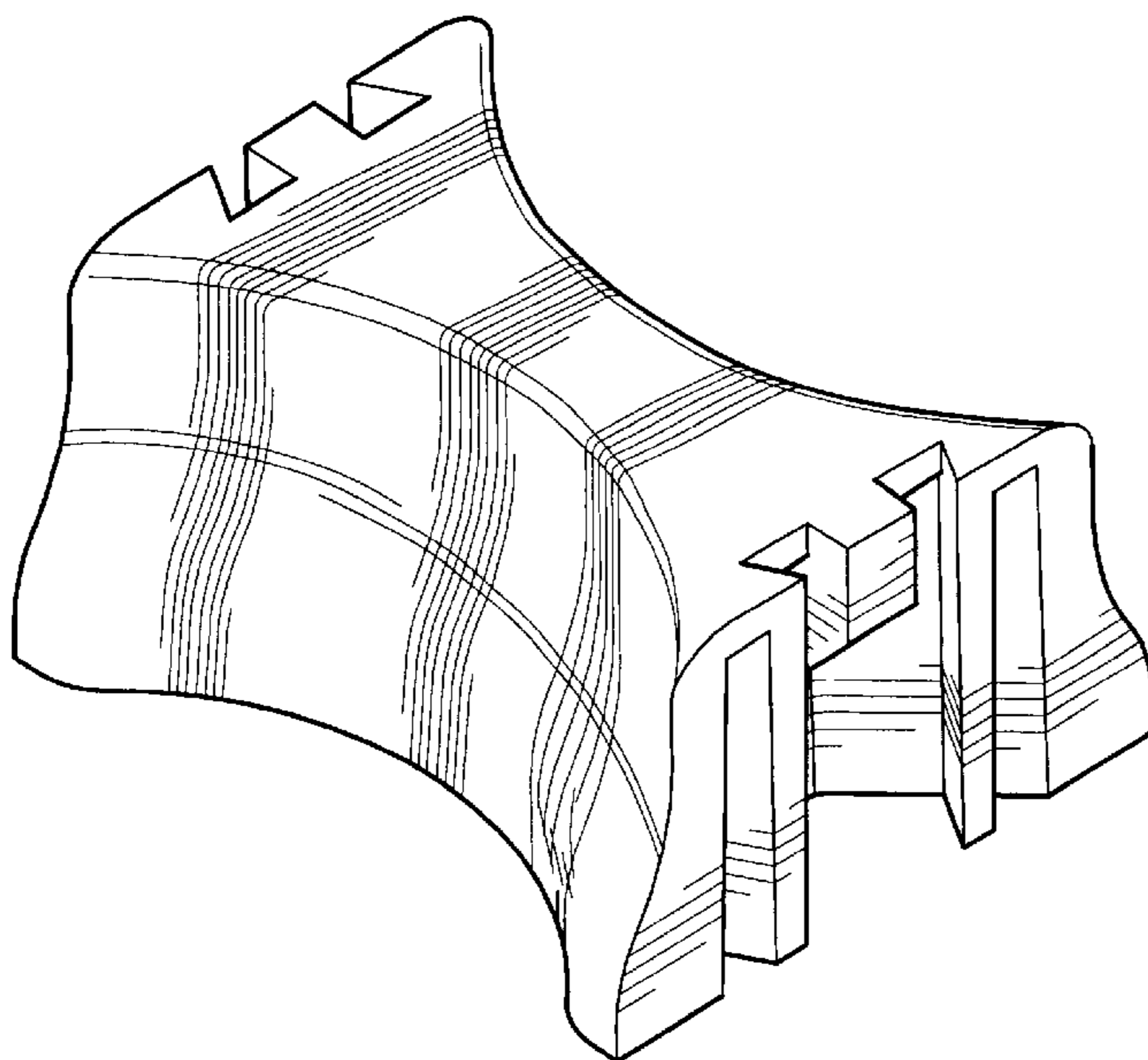
FIG. 3 is a side view thereof (both sides being identical);

FIG. 4 is a front view thereof (the back view being identical);

FIG. 5 is a top view thereof; and,

FIG. 6 is a bottom perspective view thereof.

1 Claim, 2 Drawing Sheets



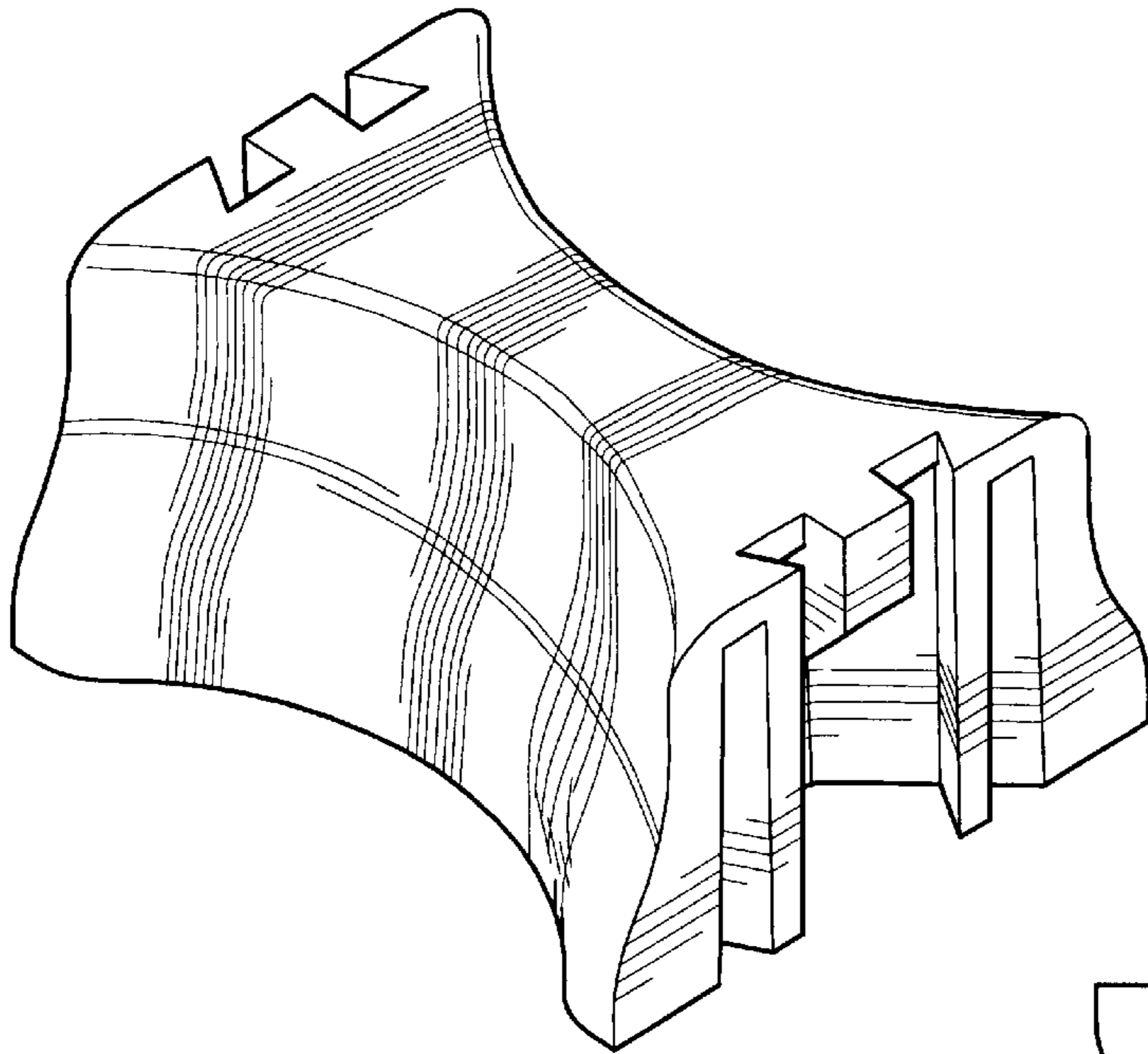


Fig-1

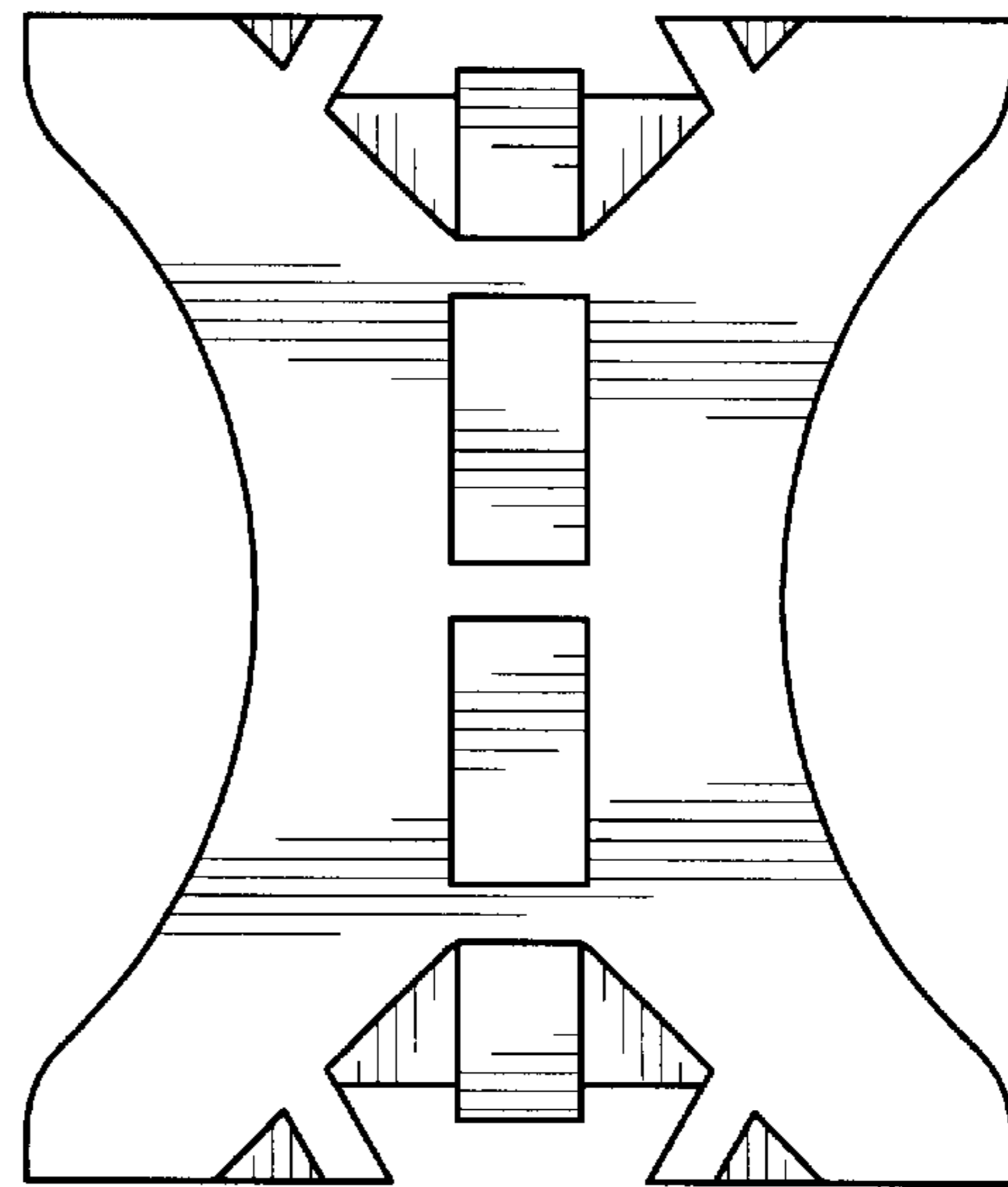


Fig-2

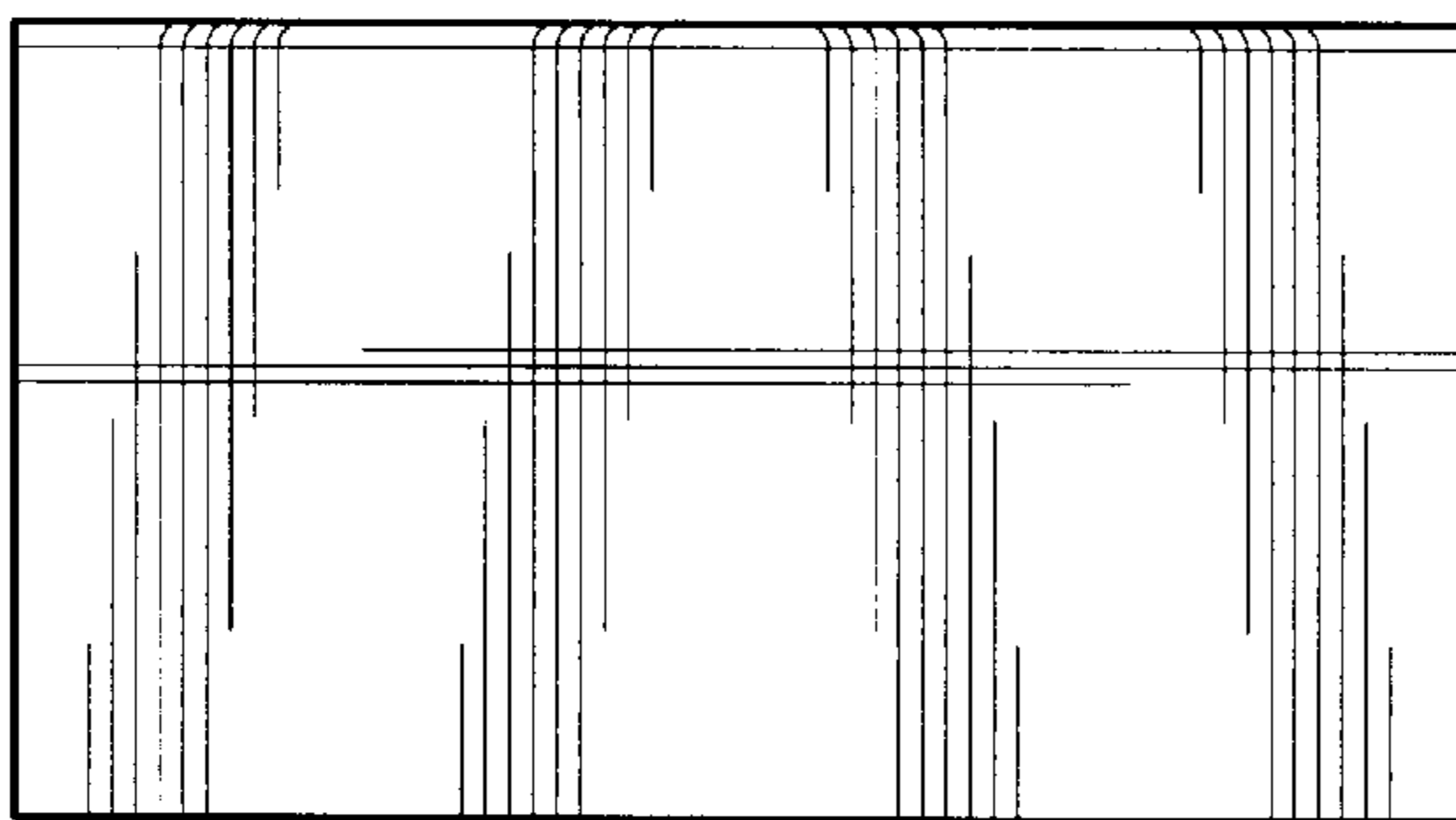


Fig-3

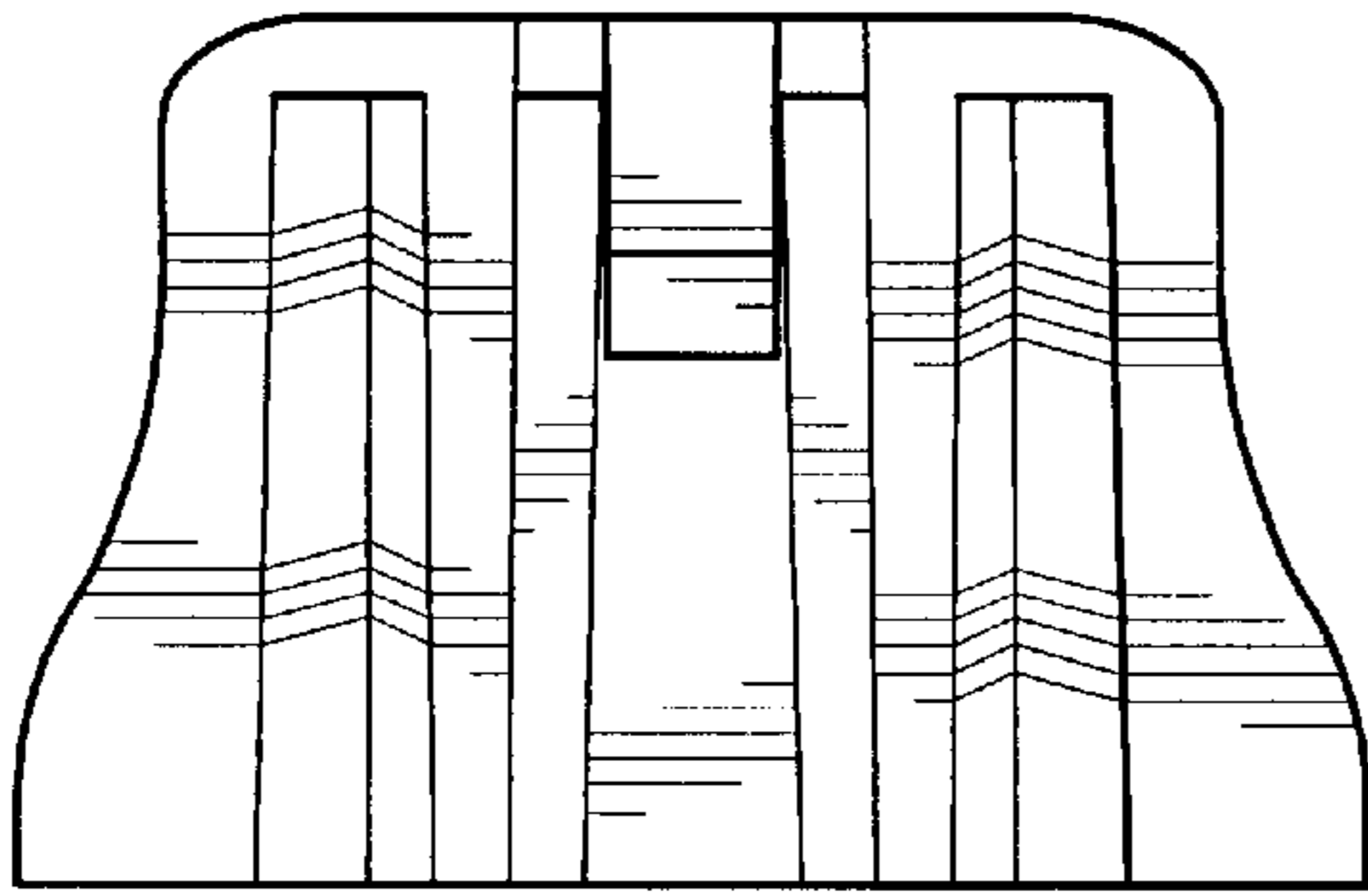


Fig-4

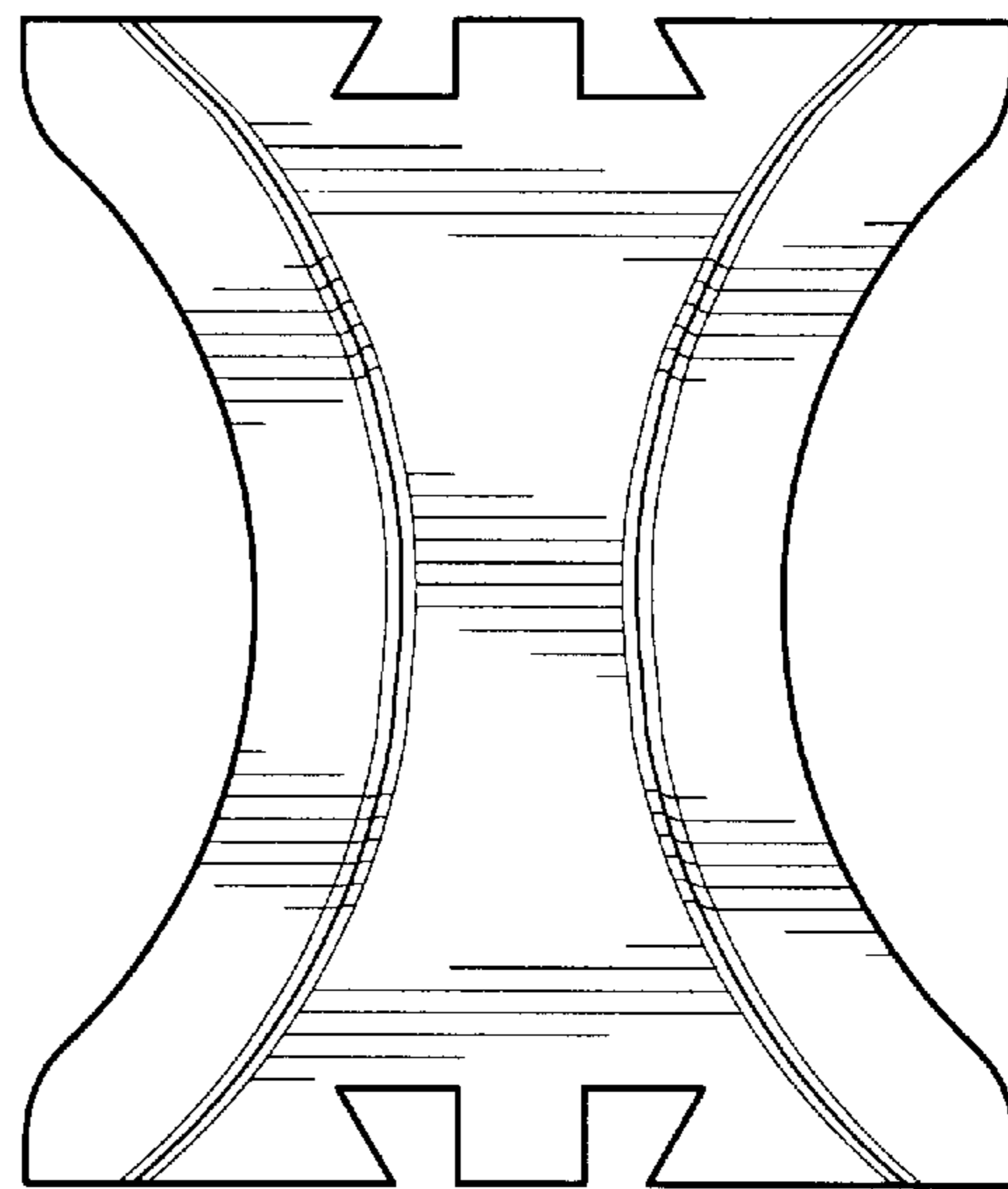


Fig-5

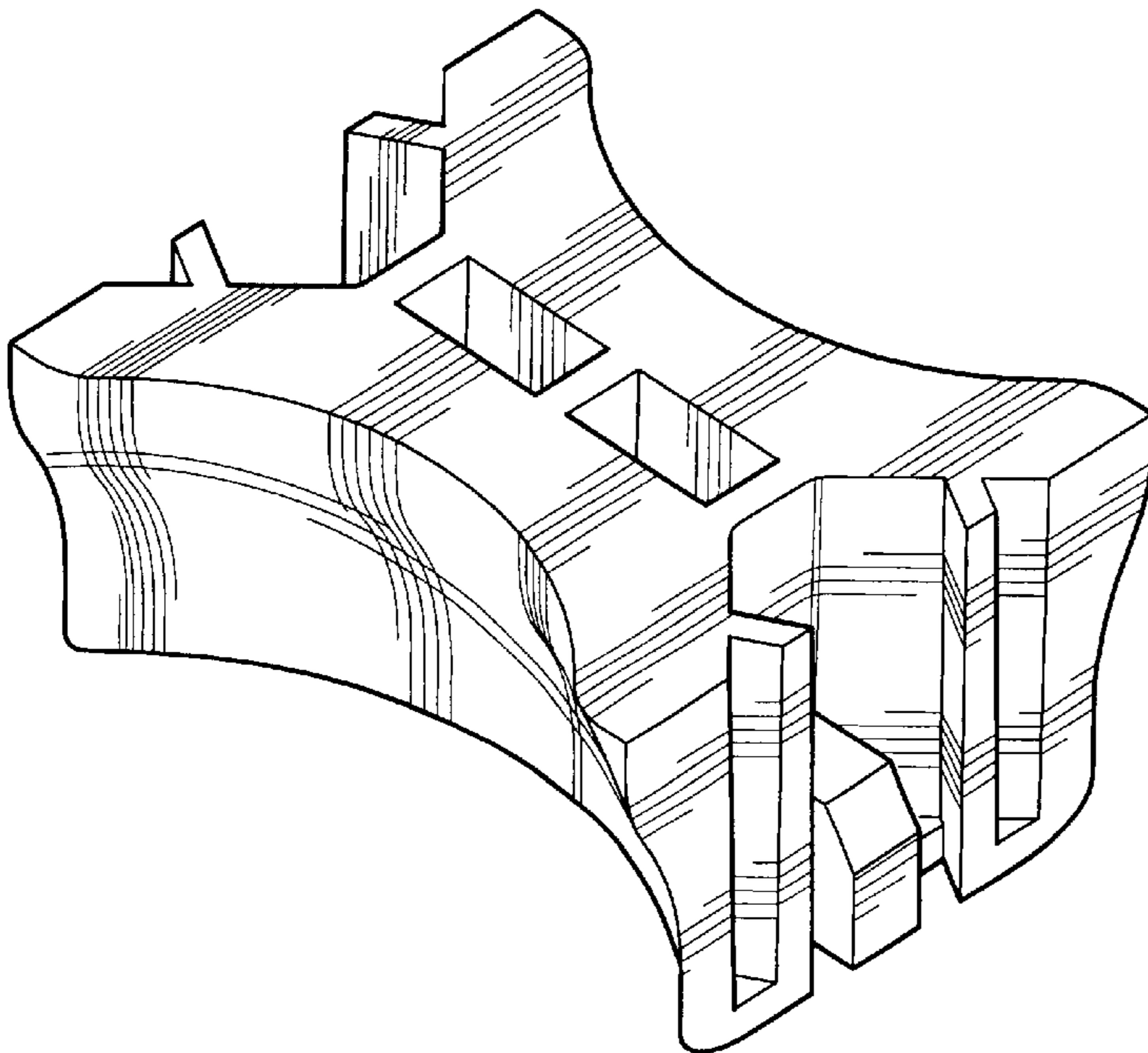


Fig-6