



US00D506613S

(12) **United States Design Patent**  
**Gusdorf**

(10) **Patent No.:** **US D506,613 S**  
(45) **Date of Patent:** **\*\* Jun. 28, 2005**

(54) **CONFIGURABLE BIN**

6,142,324 A \* 11/2000 Huang ..... 211/188

(75) **Inventor:** **Michael L. Gusdorf**, St. Louis County,  
MO (US)

(73) **Assignee:** **Industrial Wine Products, Inc.**,  
Sullivan, MO (US)

(\*\*) **Term:** **14 Years**

(21) **Appl. No.:** **29/188,384**

(22) **Filed:** **Aug. 16, 2003**

(51) **LOC (8) Cl.** ..... **06-04**

(52) **U.S. Cl.** ..... **D3/304; D6/478; D6/479**

(58) **Field of Search** ..... D3/304–306, 313,  
D3/314, 318; 312/265.1, 265.2, 265.5; D6/475,  
476, 396, 397, 462; 211/189, 190, 194,  
195; 383/12, 105

(56) **References Cited**

**U.S. PATENT DOCUMENTS**

3,661,434 A	*	5/1972	Alster	.....	312/111
D241,480 S	*	9/1976	Silver et al.	.....	D3/314
D244,011 S	*	4/1977	Powell	.....	D3/304
4,646,802 A	*	3/1987	Basore et al.	.....	220/9.4
5,263,576 A	*	11/1993	Boreen et al.	.....	206/455
5,466,057 A	*	11/1995	Blankenburg	.....	312/108
D389,344 S	*	1/1998	Kun-Tang	.....	D6/476
5,845,790 A	*	12/1998	Smith	.....	211/41.12
D423,171 S	*	4/2000	Alcala et al.	.....	D34/19

**OTHER PUBLICATIONS**

Hong Kong Household vol. 2 2003□□p. 331 open-sided storage cubes, center of page□□.\*  
Cubic Solutions by Storage Solutions, Industrial Wire Products published and in circulation for approximately 5 years.

\* cited by examiner

*Primary Examiner*—Louis S. Zarfes

*Assistant Examiner*—John Windmuller

(74) *Attorney, Agent, or Firm*—Paul M. Denk

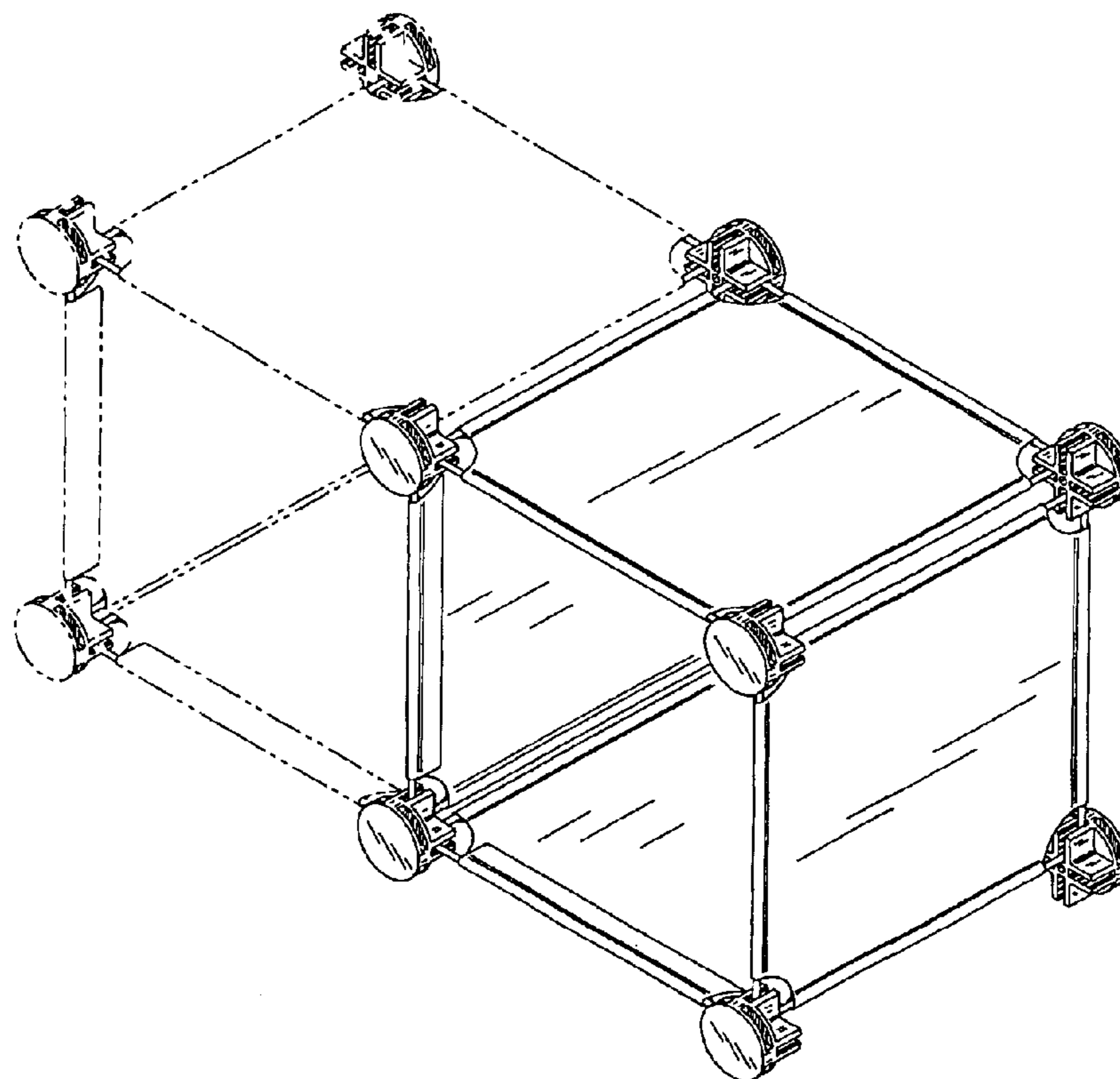
(57) **CLAIM**

The ornamental design for the configurable bin, as shown and described.

**DESCRIPTION**

FIG. 1 is a top front right perspective view of the configurable bin showing my new design;  
FIG. 2 is a left side view thereof, the right side view being a mirror image of the left side view;  
FIG. 3 is a front elevation view thereof;  
FIG. 4 is a back elevation view thereof;  
FIG. 5 is a top plan view thereof, the bottom plan view being a mirror image of the top plan view; and,  
FIG. 6 is a top front right view thereof, wherein the broken line showing of an additional bin is for illustrative purposes only.

**1 Claim, 3 Drawing Sheets**



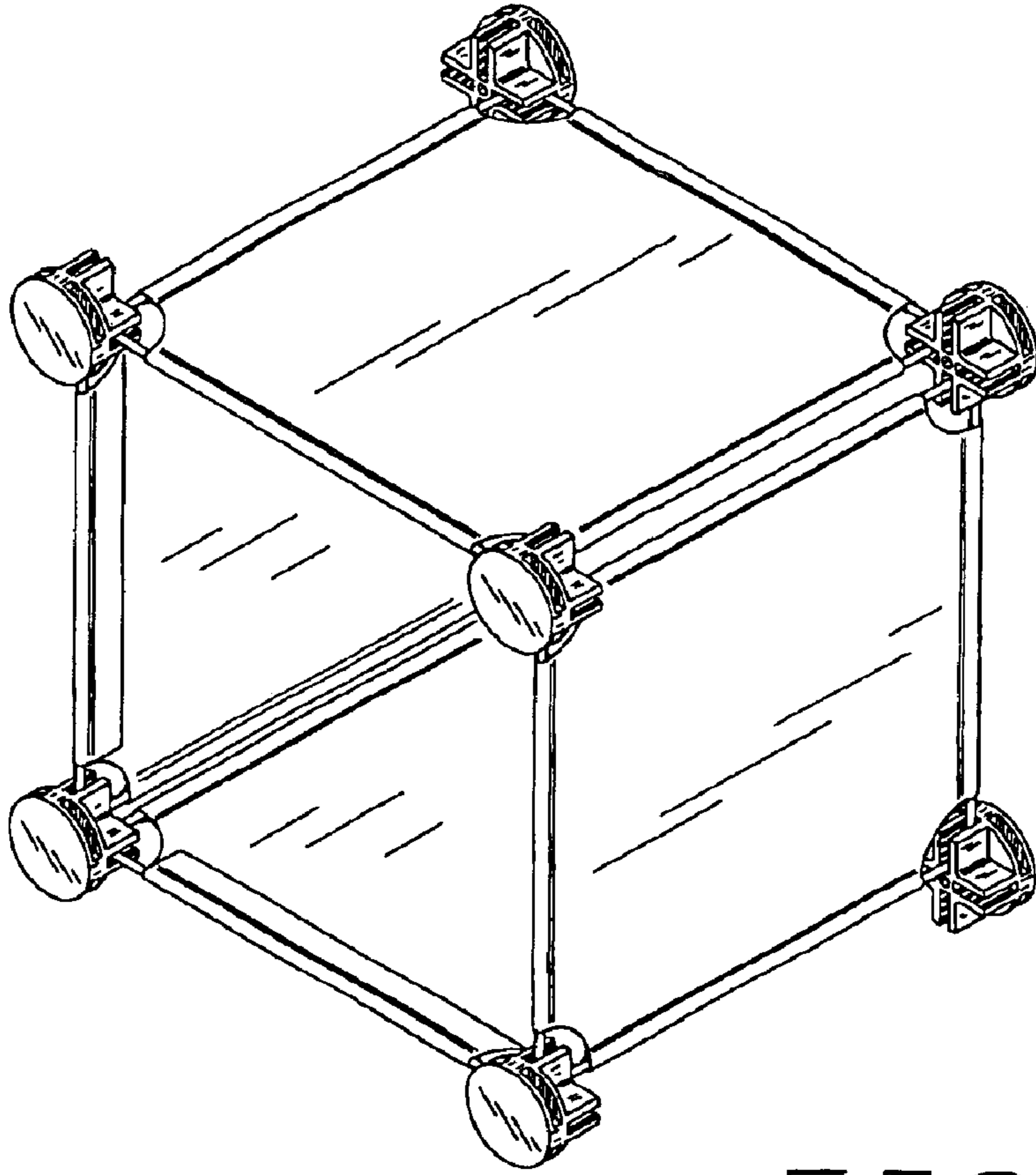


FIG. 1

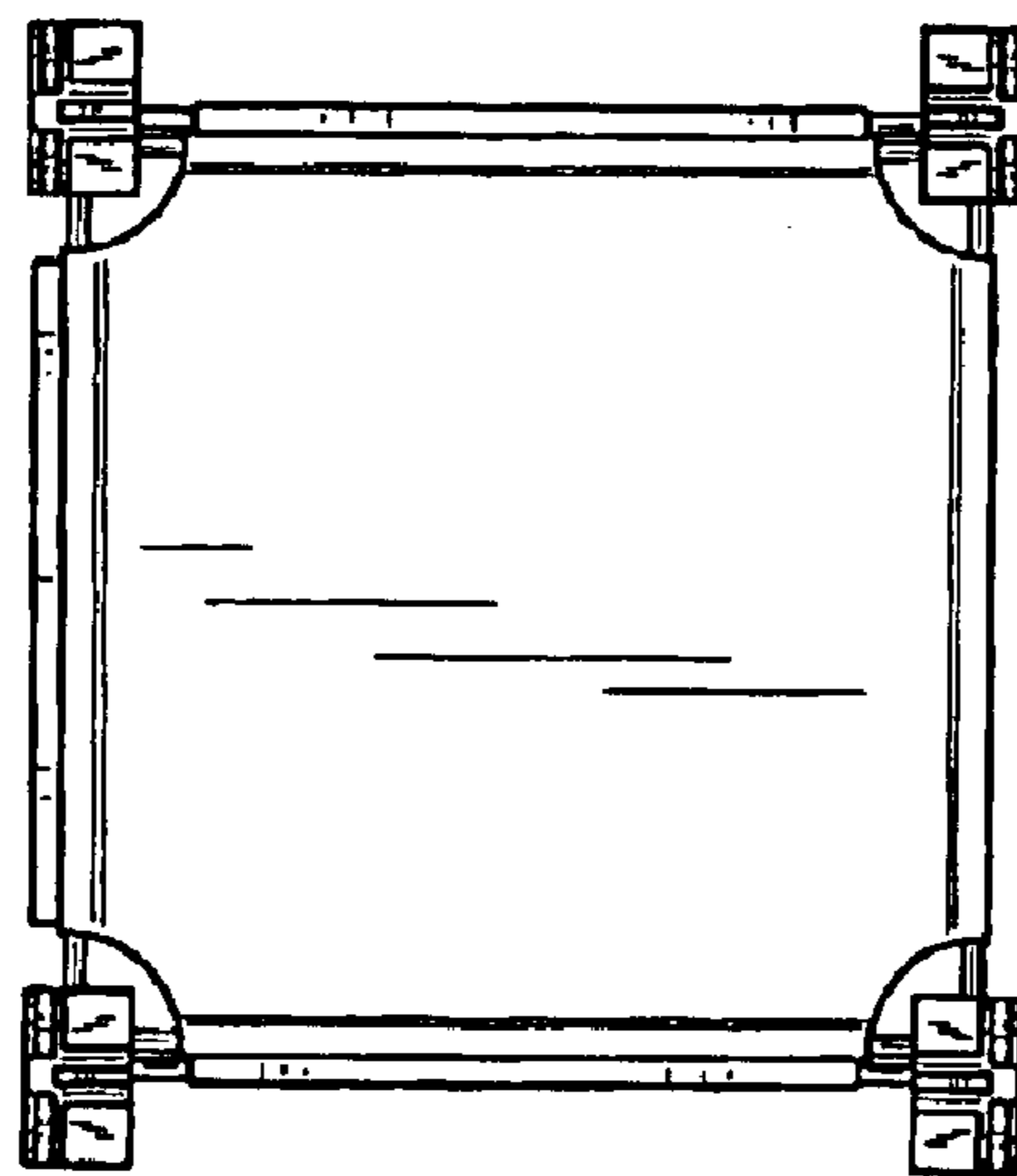


FIG. 2

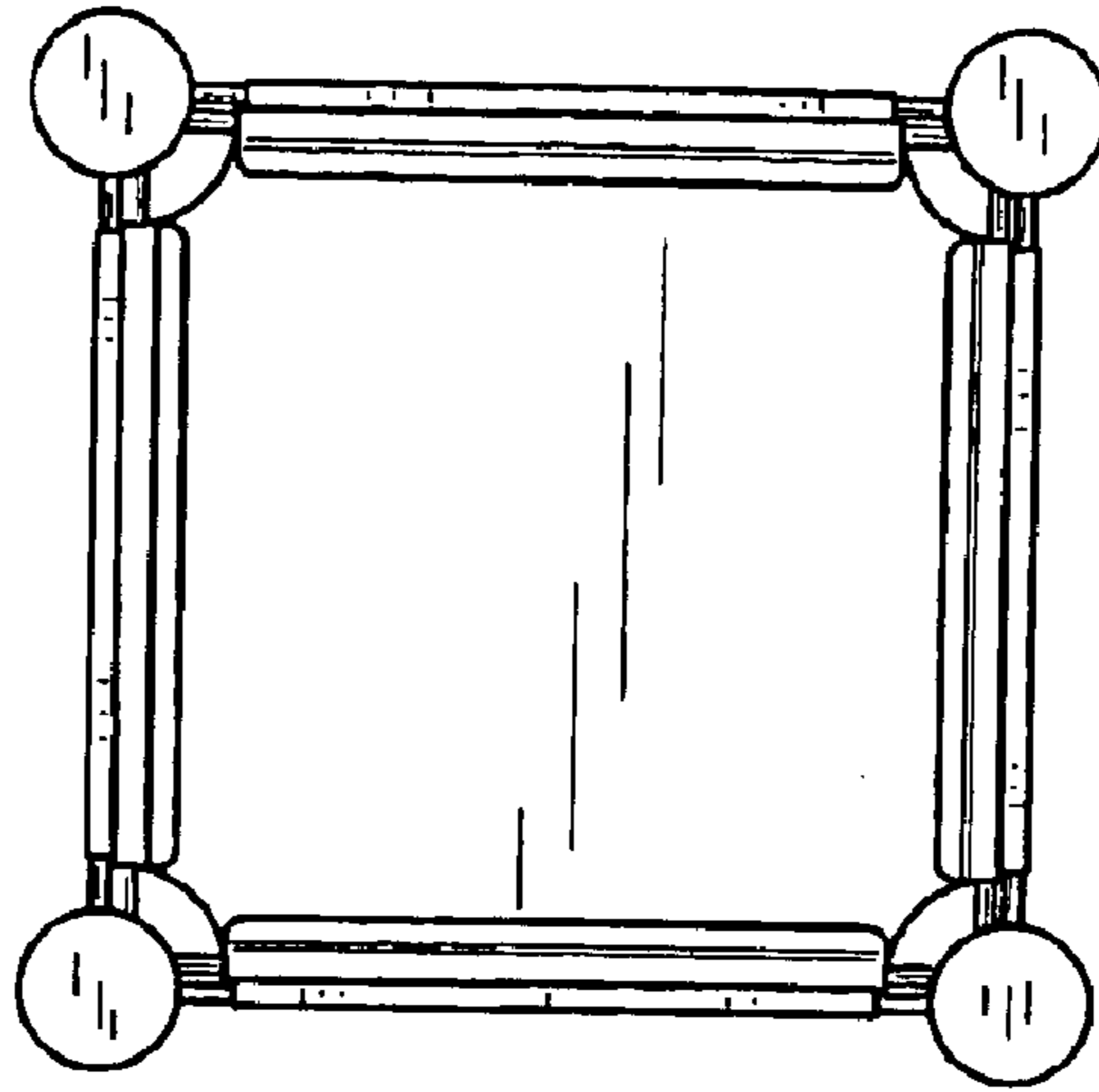


FIG. 3

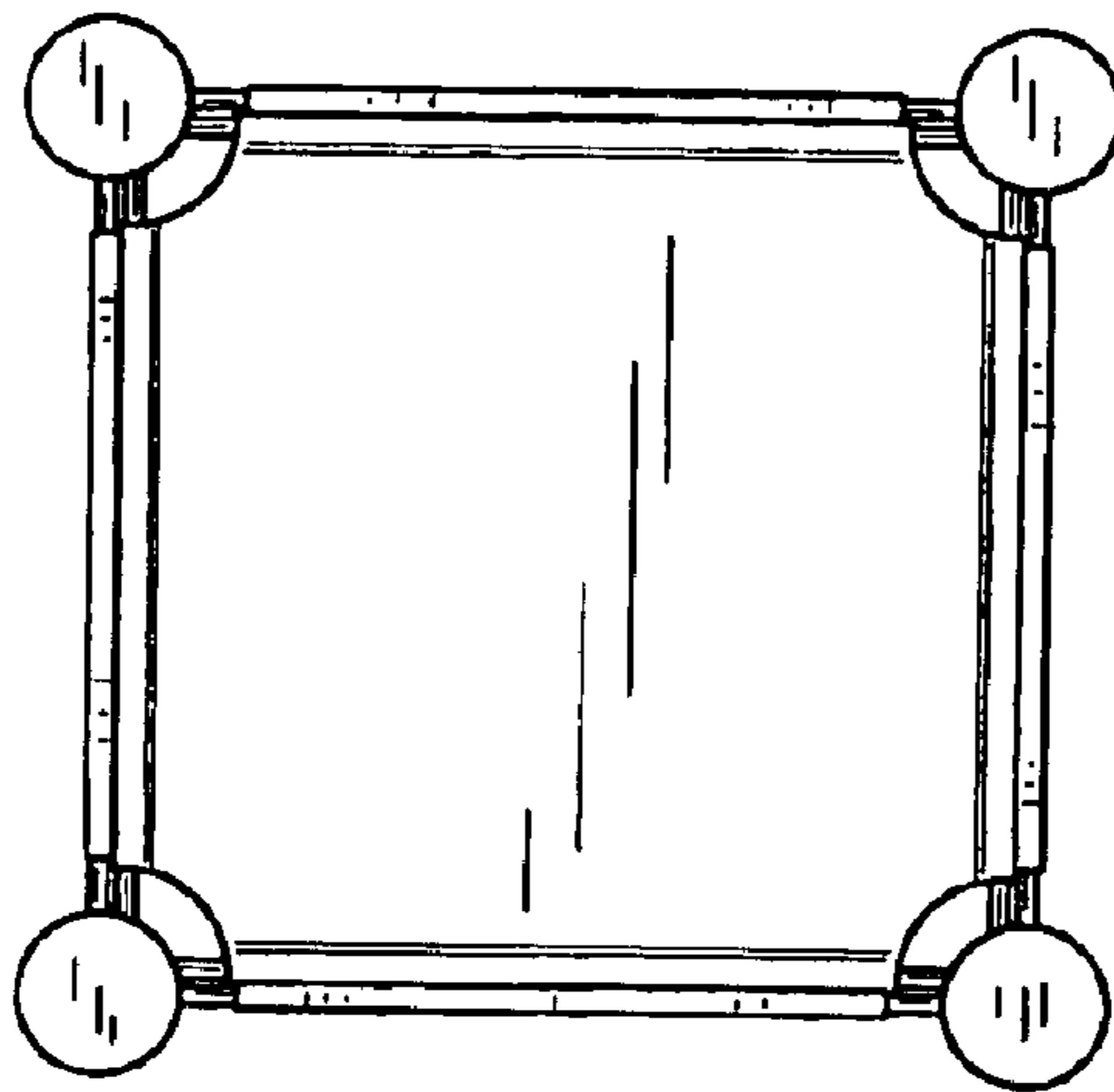


FIG. 4

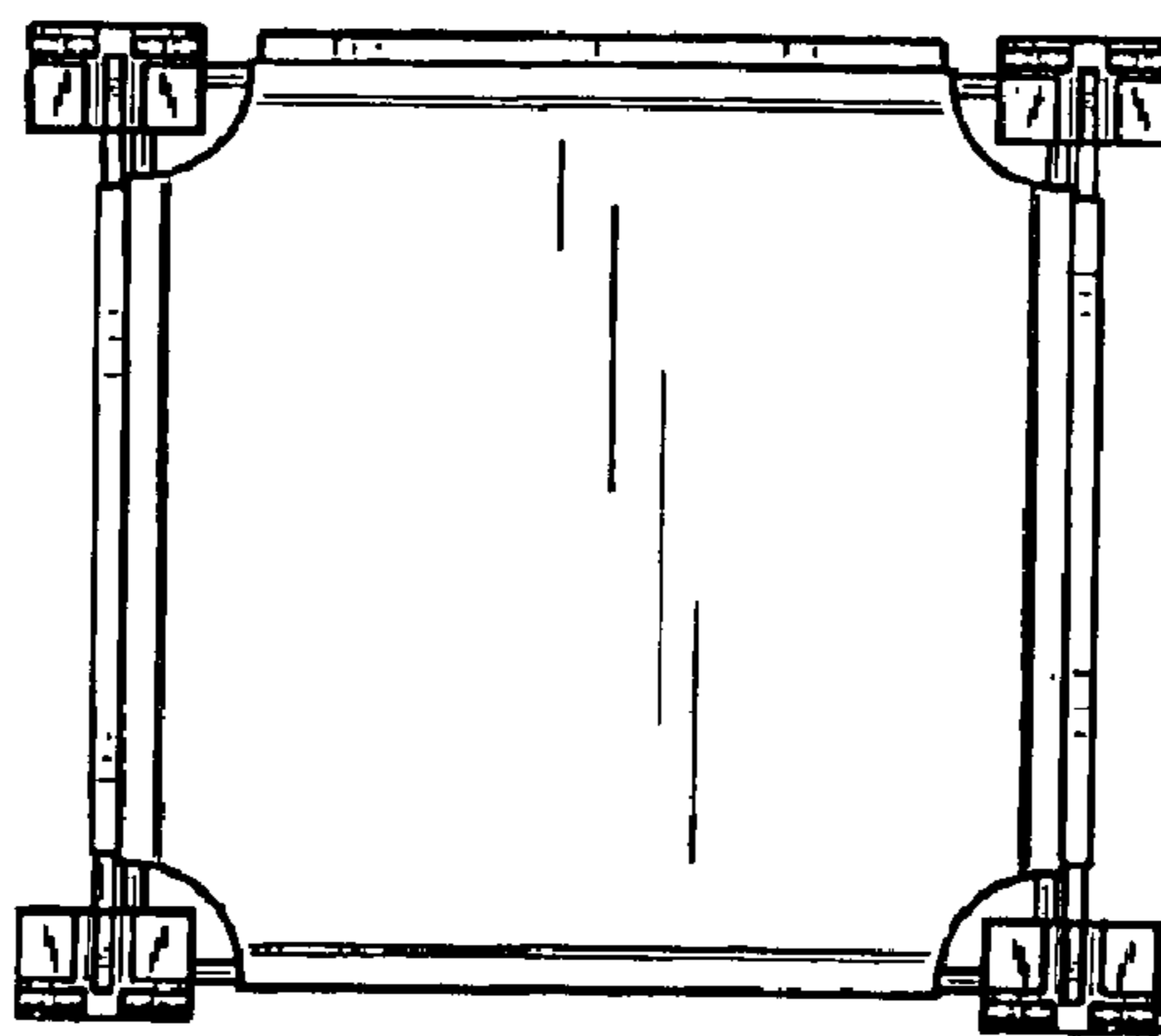


FIG. 5

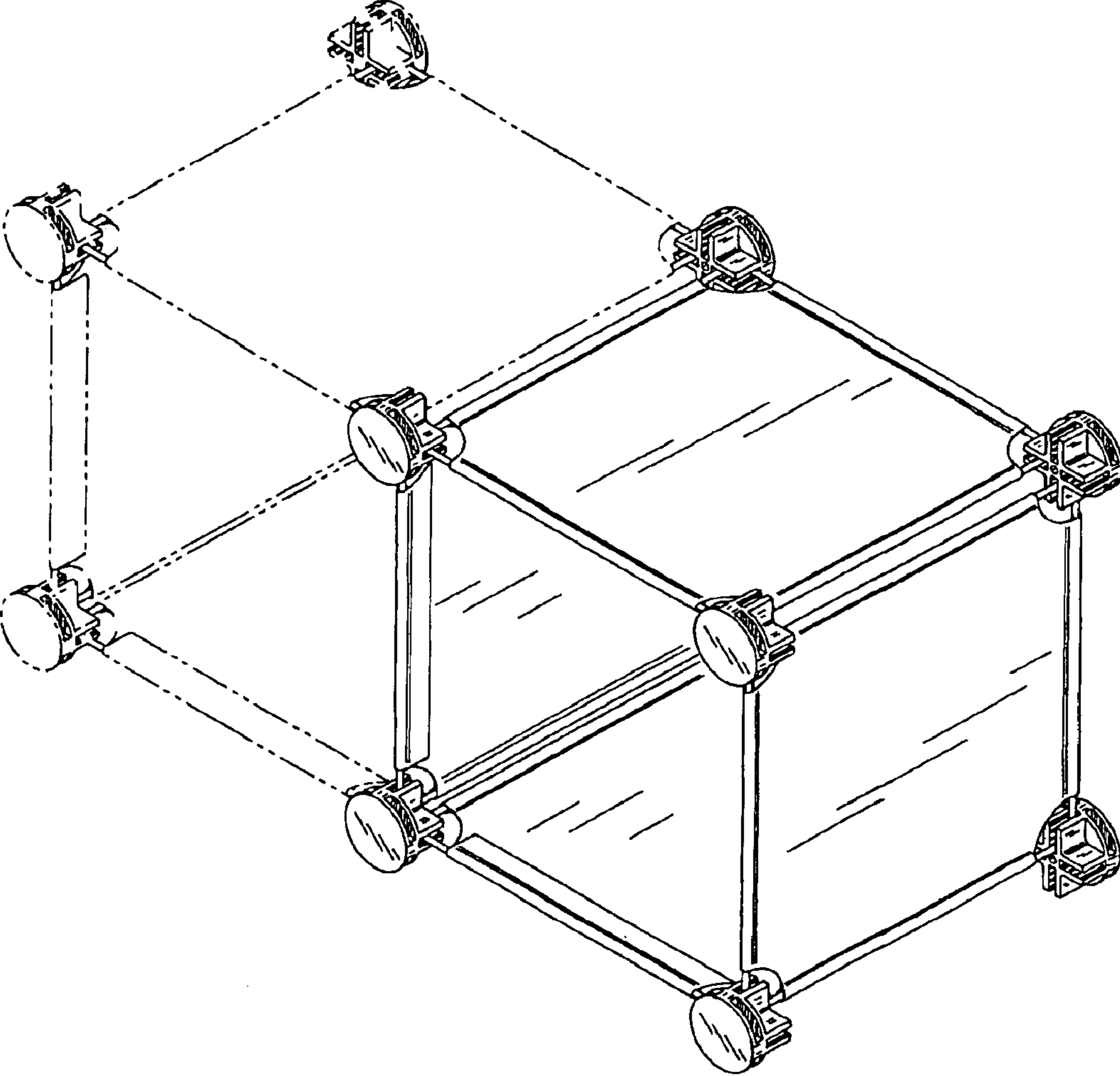


FIG. 6

UNITED STATES PATENT AND TRADEMARK OFFICE  
**CERTIFICATE OF CORRECTION**

PATENT NO. : Des. 506,613 S  
DATED : June 28, 2005  
INVENTOR(S) : Michael L. Gusdorf

Page 1 of 1

It is certified that error appears in the above-identified patent and that said Letters Patent is hereby corrected as shown below:

Title page.  
Item [73], Assignee, should read as follows:  
-- **Industrial Wire Products, Inc.** --.

Signed and Sealed this

Sixth Day of September, 2005

A handwritten signature in black ink on a light gray dotted background. The signature reads "Jon W. Dudas" in a cursive style.

JON W. DUDAS

*Director of the United States Patent and Trademark Office*