

US00D506612S

(12) **United States Design Patent**
Rosa et al.

(10) **Patent No.: US D506,612 S**
(45) **Date of Patent: ** Jun. 28, 2005**

(54) **REMOTE CONTROL COVER**

(76) Inventors: **Norma Rosa**, 1561 SW. 12th Ave.,
Miami, FL (US) 33129; **Juan G. Zea**,
1561 SW. 12th Ave., Miami, FL (US)
33129

(**) Term: **14 Years**

(21) Appl. No.: **29/202,642**

(22) Filed: **Apr. 5, 2004**

(51) **LOC (8) Cl. 03-01**

(52) **U.S. Cl. D3/301; D3/218; D14/218**

(58) **Field of Search D3/201, 205, 206,**
D3/273, 289, 301, 303, 218; 206/320, 305;
D14/218, 299; 361/810; 383/106; 150/165

(56) **References Cited**

U.S. PATENT DOCUMENTS

D121,532 S	7/1940	Marghab	
4,893,222 A	1/1990	Mintzer	
D320,714 S	* 10/1991	Singley	D6/553
5,092,459 A	3/1992	Uljanic et al.	
5,122,937 A	6/1992	Stoudemire	
D355,302 S	* 2/1995	Eva et al.	D3/299

D368,095 S	* 3/1996	McCallister, III	D14/218
5,499,713 A	* 3/1996	Huffer	206/320
D378,020 S	* 2/1997	Hatt	D3/218
5,598,926 A	2/1997	Vogt et al.	
D378,634 S	* 4/1997	LaPere	D3/273
5,872,702 A	* 2/1999	Kopel	361/810
5,873,456 A	* 2/1999	Hull et al.	206/38.1
D409,200 S	* 5/1999	Cooper	D14/218
6,050,407 A	* 4/2000	Trujillo	206/320
D449,446 S	* 10/2001	Kirchner et al.	D3/300
D476,806 S	* 7/2003	Sofa et al.	D3/218

* cited by examiner

Primary Examiner—Philip S. Hyder

(74) *Attorney, Agent, or Firm*—Richard L. Mikesell

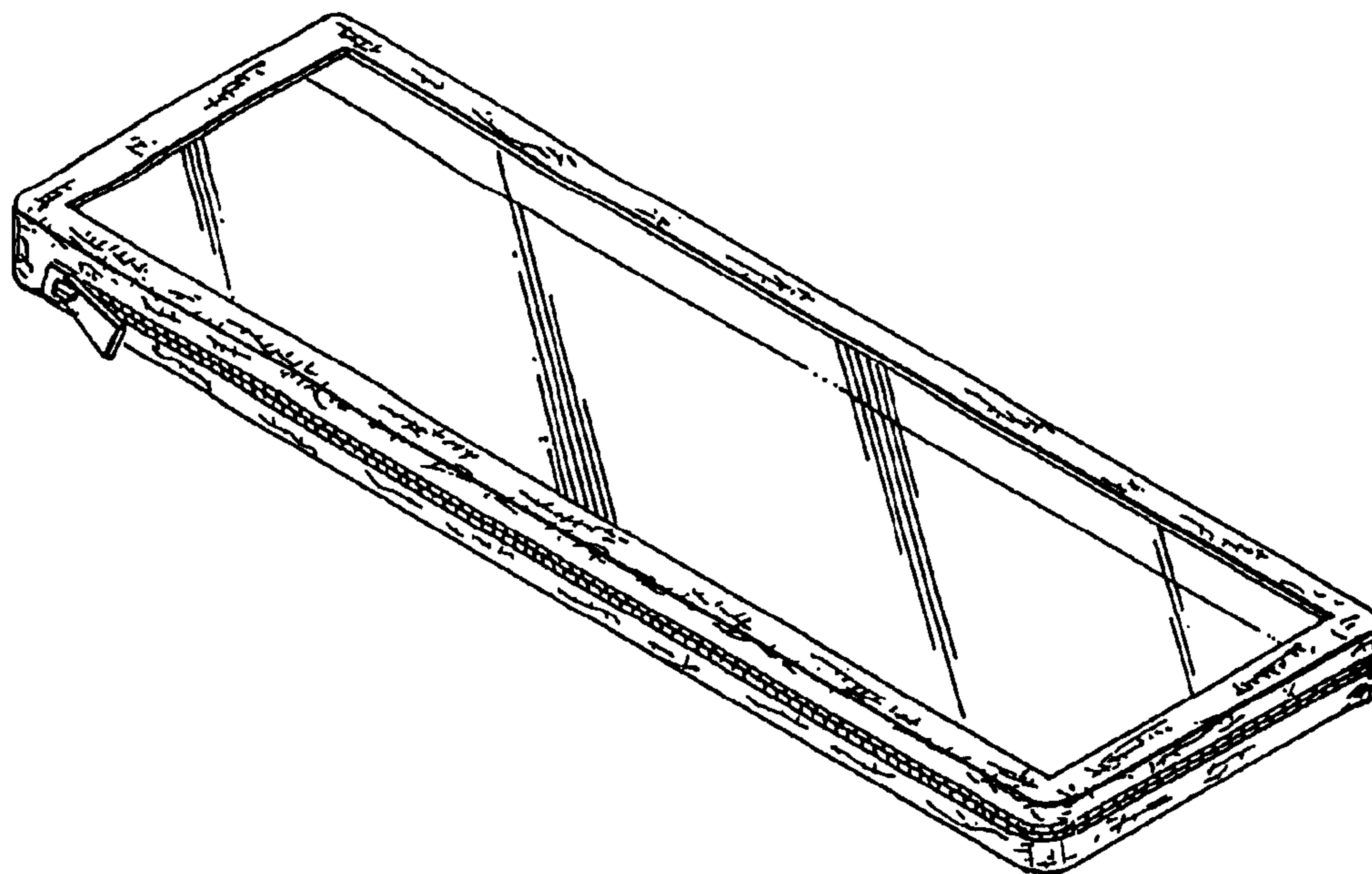
(57) **CLAIM**

The ornamental design for a remote control cover, as shown.

DESCRIPTION

FIG. 1 is a top front left side perspective view of a remote control cover showing our new design; FIG. 2 is a left side elevational view thereof; FIG. 3 is a bottom plan view thereof; and, FIG. 4 is a rear elevational view thereof.

1 Claim, 1 Drawing Sheet



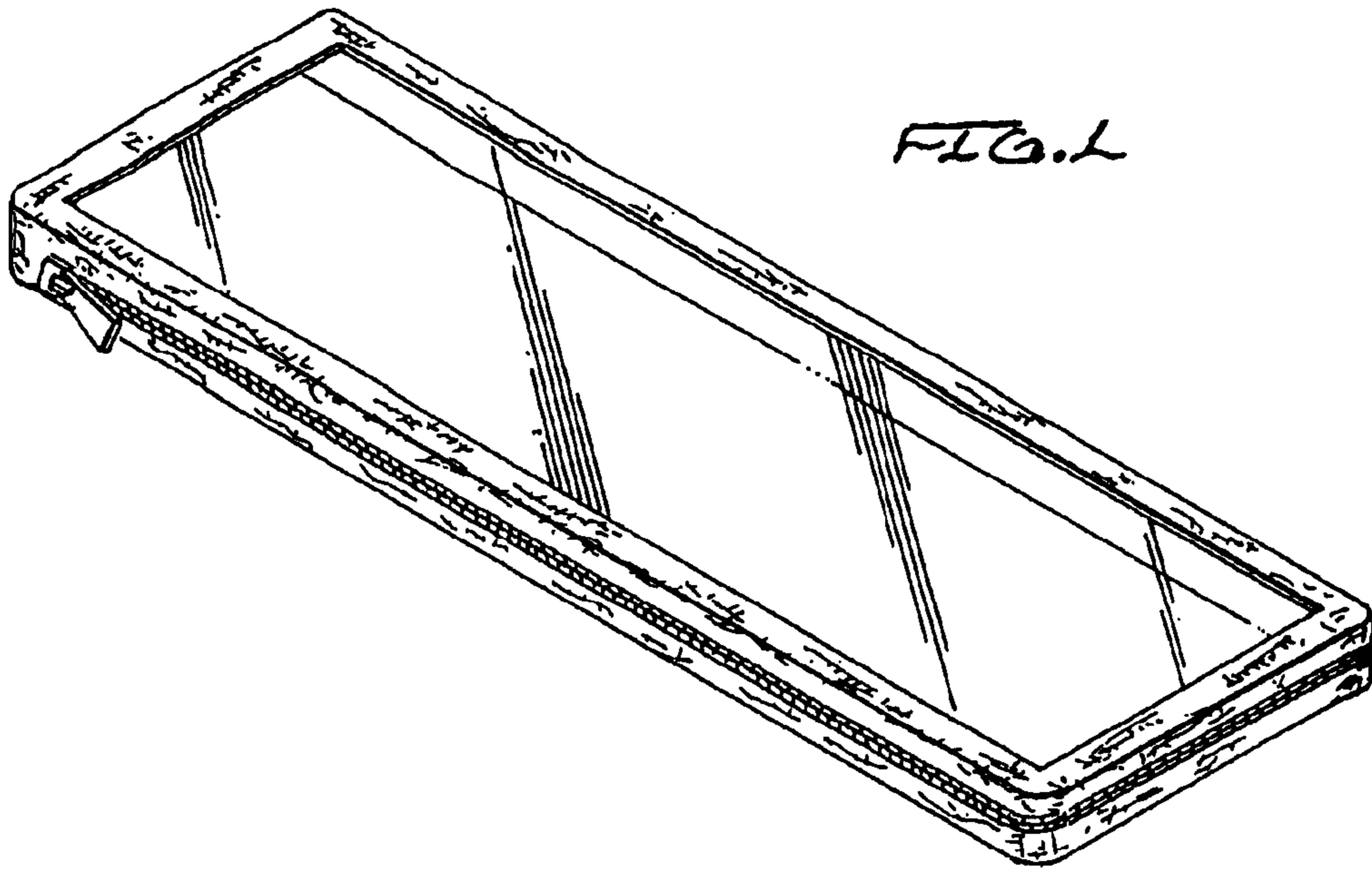


FIG. 2

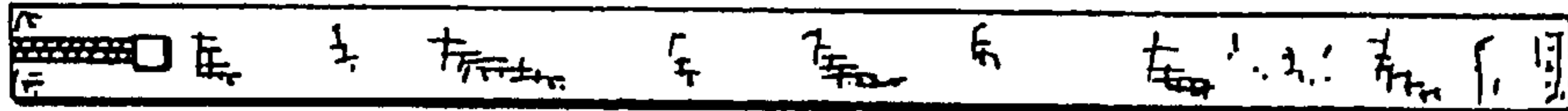


FIG. 3

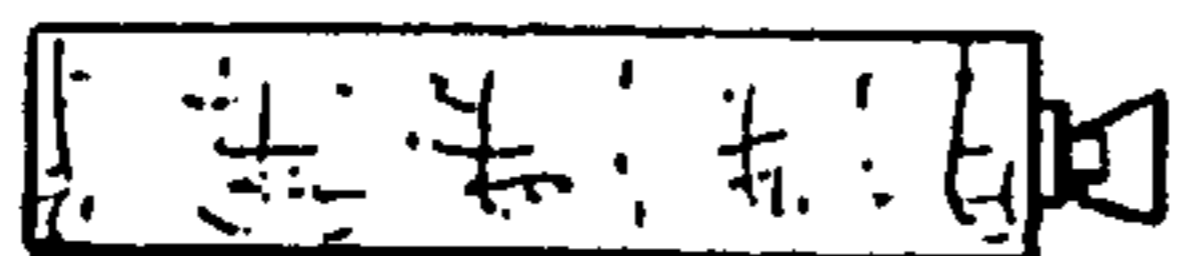
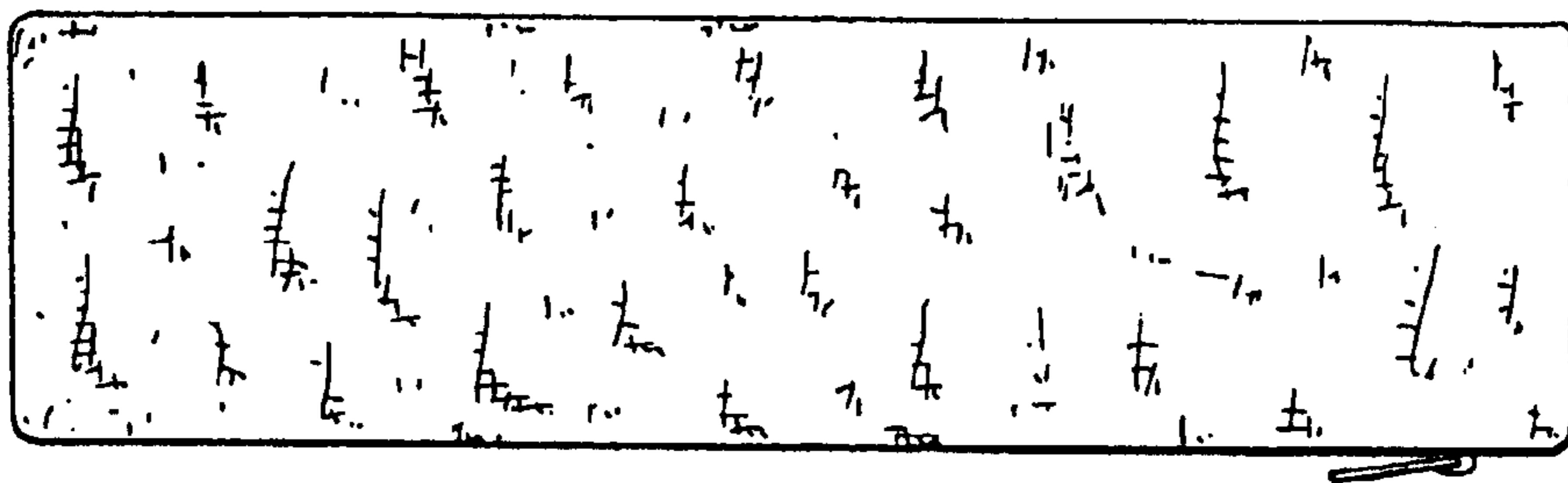


FIG. 4