

US00D506610S

(12) **United States Design Patent**
Mitani et al.

(10) **Patent No.: US D506,610 S**
(45) **Date of Patent: ** Jun. 28, 2005**

(54) **CASE**

(75) Inventors: **Kouki Mitani**, Tokyo (JP); **Tadayuki Wakatabi**, Tokyo (JP)

(73) Assignee: **Riso Kagaku Corporation** (JP)

(**) Term: **14 Years**

(21) Appl. No.: **29/196,181**

(22) Filed: **Dec. 23, 2003**

(30) **Foreign Application Priority Data**

Jun. 27, 2003 (JP) D2003-18508

(51) **LOC (8) Cl.** **03-01**

(52) **U.S. Cl.** **D3/294; D3/273**

(58) **Field of Search** D3/272, 273, 294,
D3/295, 302; D9/420, 423, 424; 220/835,
810, 825, 833, 834

(56) **References Cited**

U.S. PATENT DOCUMENTS

D266,631 S * 10/1982 Crutchfield D3/294
D365,208 S * 12/1995 Laib D3/294

D374,774 S * 10/1996 Cassel D3/294
D389,646 S * 1/1998 Sankey et al. D3/294
D390,265 S * 2/1998 Cheris et al. D19/75
D395,952 S * 7/1998 Buczwinski et al. D3/294
D404,201 S * 1/1999 Wennerstrom D3/294
D418,297 S * 1/2000 Budert D3/295
D442,780 S * 5/2001 Hiernard D3/294

* cited by examiner

Primary Examiner—Philip S. Hyder

(74) *Attorney, Agent, or Firm*—SAIDMAN DesignLaw Group

(57) **CLAIM**

The ornamental design for a case, as shown and described.

DESCRIPTION

FIG. 1 is a perspective view of a case;
FIG. 2 is a front view thereof;
FIG. 3 is a top plan view thereof;
FIG. 4 is a bottom view thereof;
FIG. 5 is a rear view thereof; and,
FIG. 6 is a left side view thereof, the opposite side being a mirror view thereof.

1 Claim, 2 Drawing Sheets

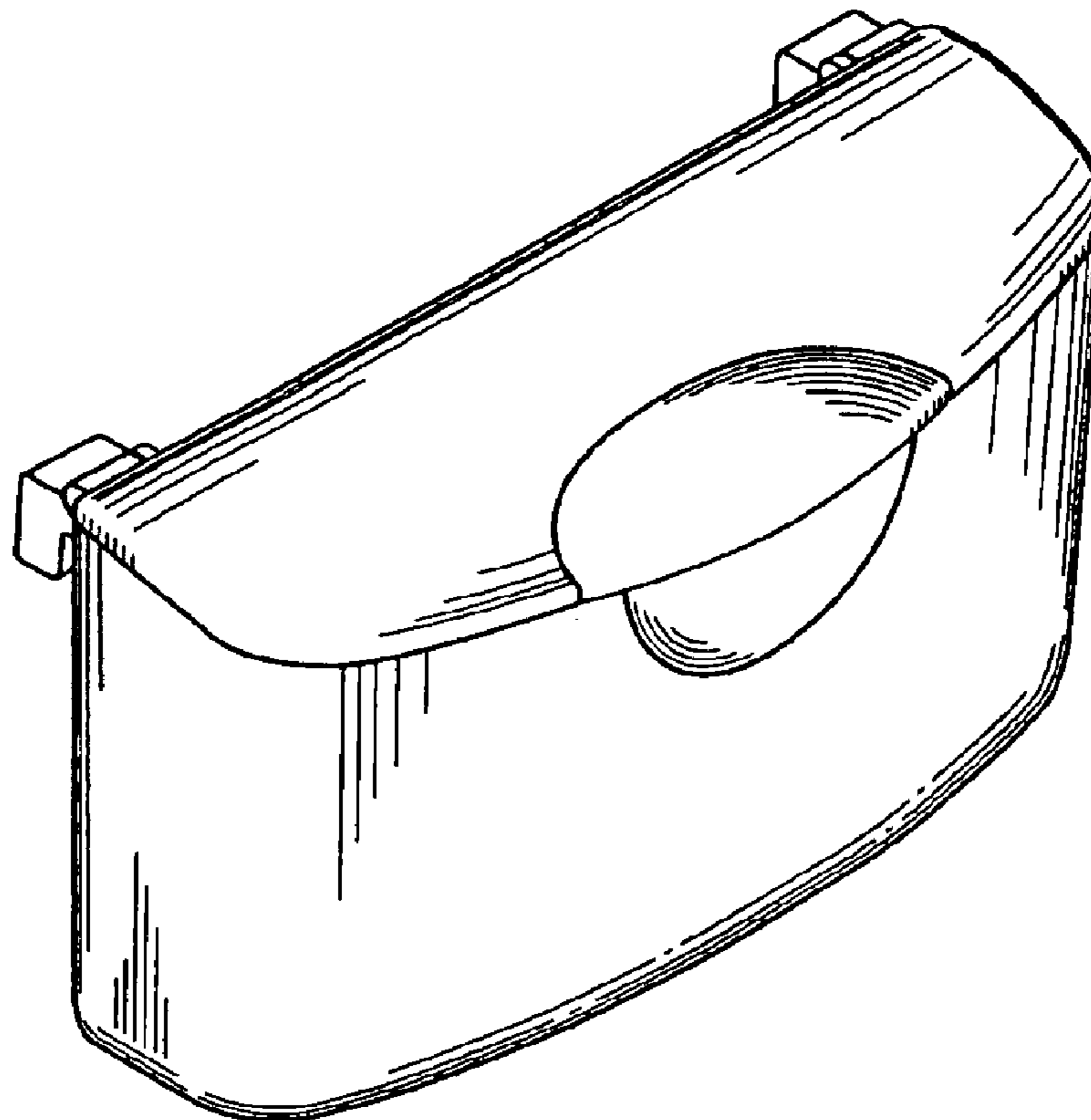


Fig.1

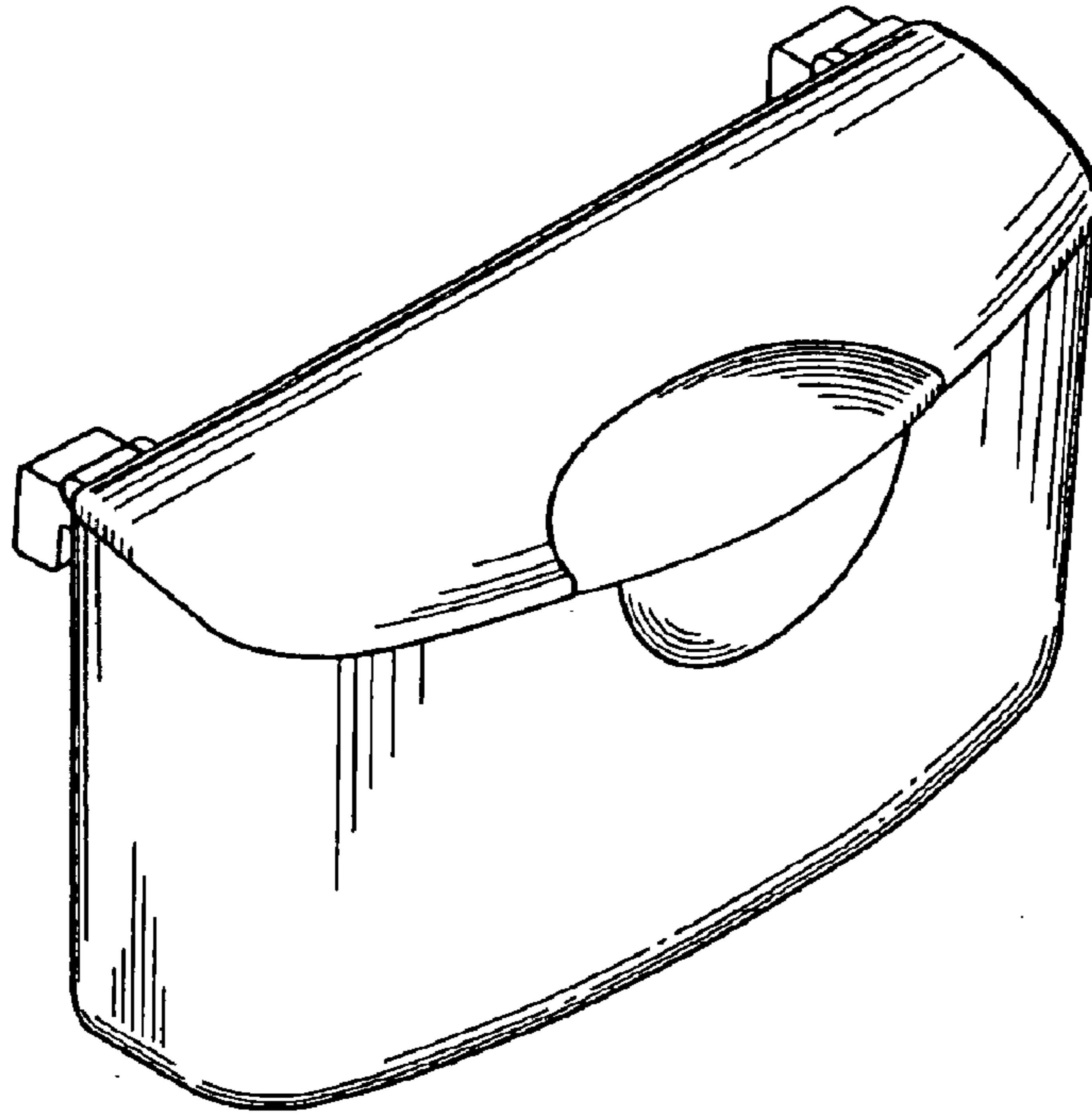


Fig.2

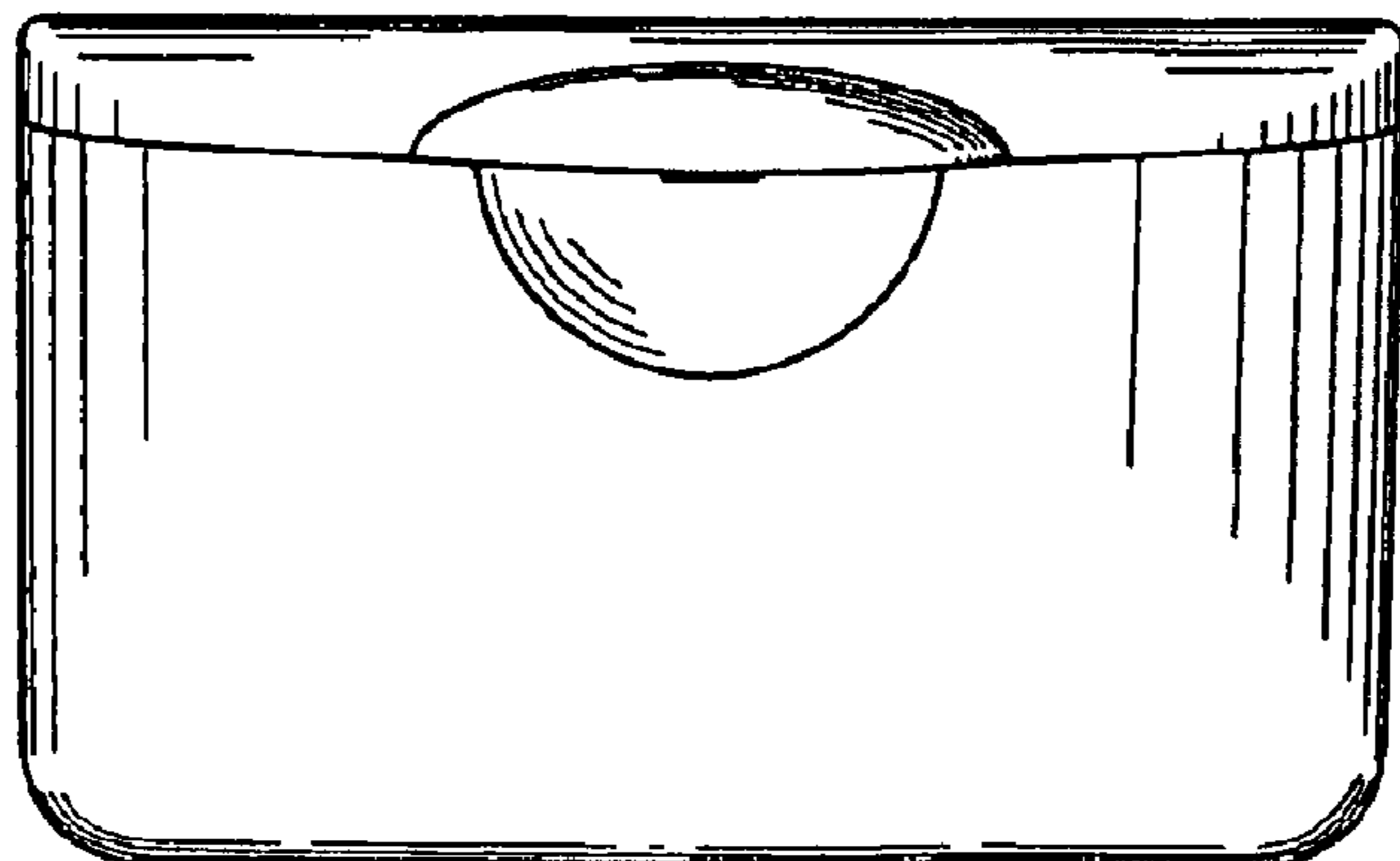


Fig.3

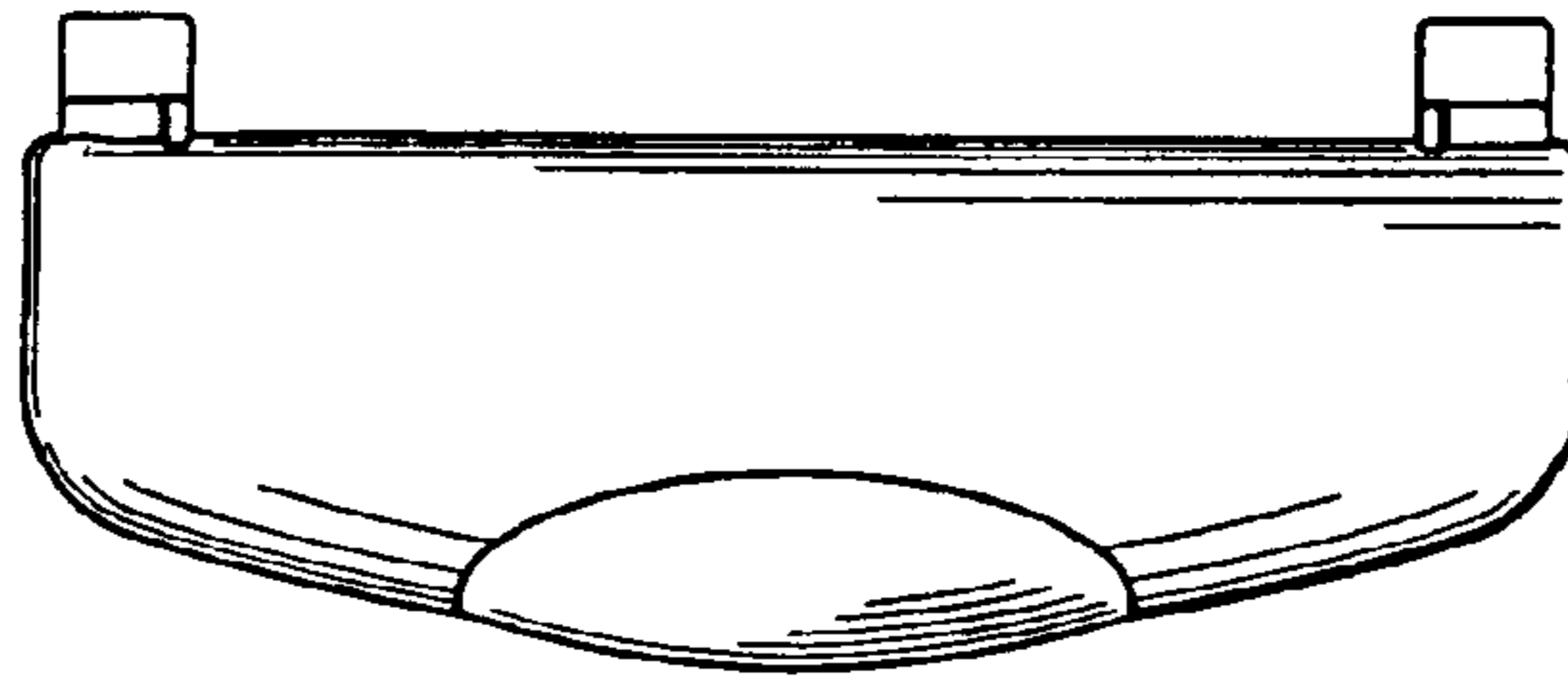


Fig.4

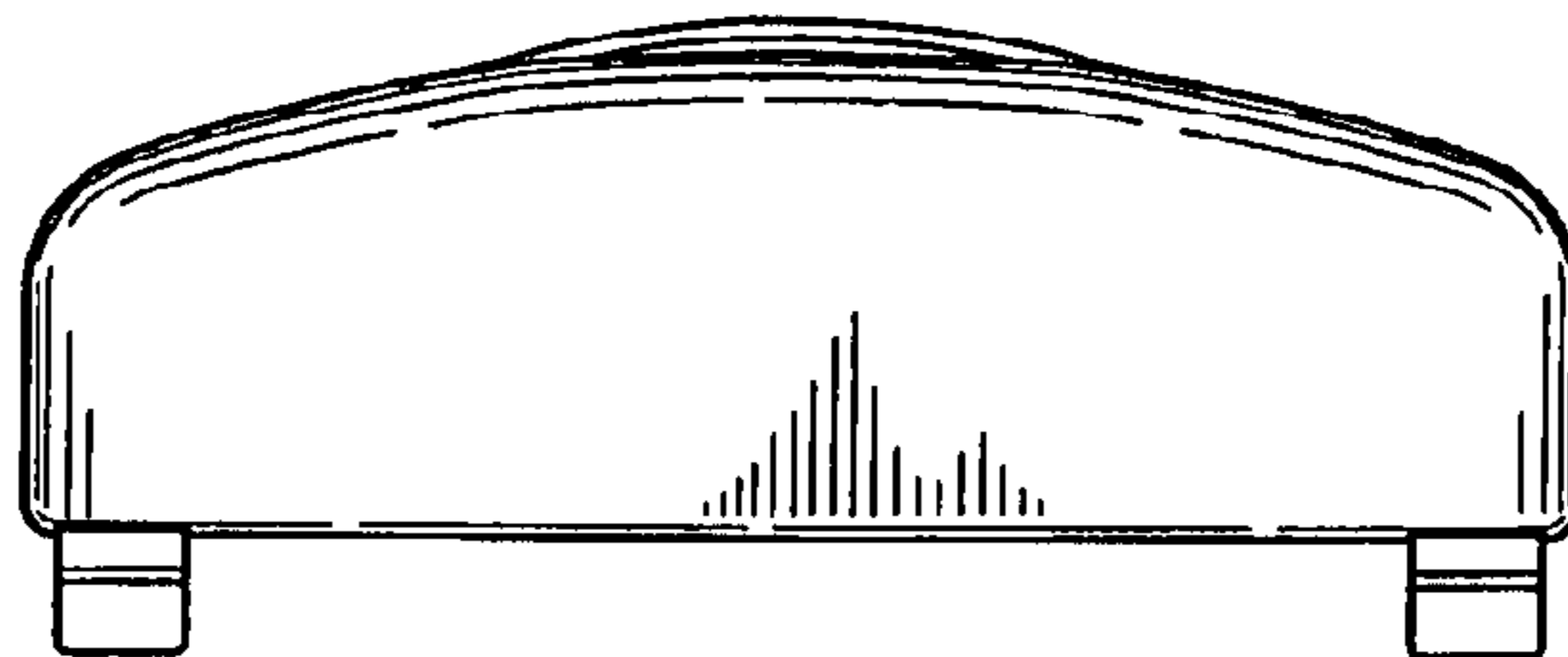


Fig.5

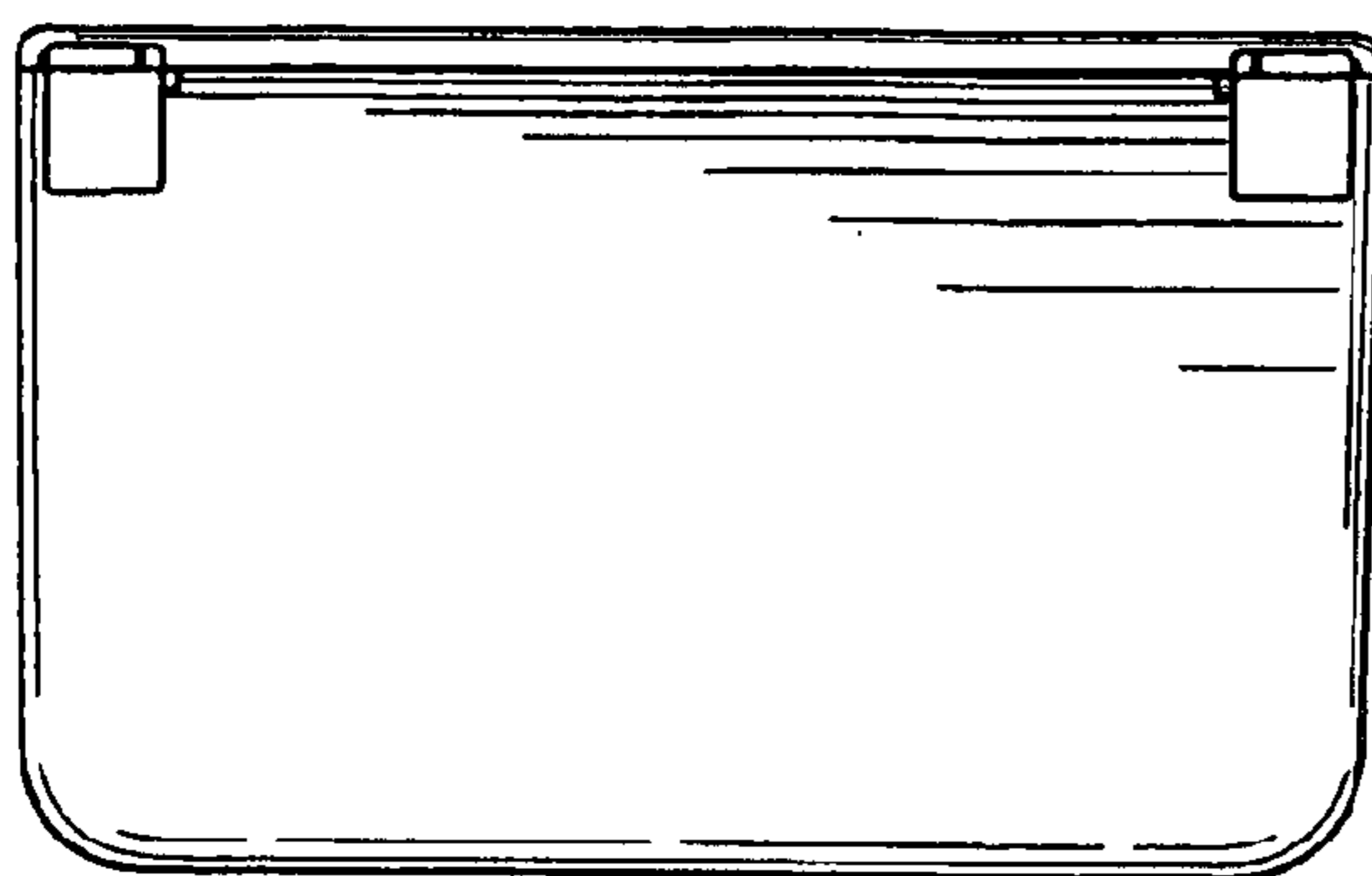


Fig.6

