

US00D506608S

(12) **United States Design Patent**  
**Dong**

(10) **Patent No.:** **US D506,608 S**  
(45) **Date of Patent:** **\*\* Jun. 28, 2005**

(54) **CONTAINER**

(75) Inventor: **Jane Dong**, Fort Lee, NJ (US)

(73) Assignee: **XM International, Inc.**, E. Rutherford, NJ (US)

(\*\*) Term: **14 Years**

(21) Appl. No.: **29/193,036**

(22) Filed: **Oct. 31, 2003**

**Related U.S. Application Data**

(63) Continuation-in-part of application No. 29/189,372, filed on Sep. 3, 2003.

(51) **LOC (8) Cl.** ..... **03-01**

(52) **U.S. Cl.** ..... **D3/276; D3/302; D3/294; D32/53**

(58) **Field of Search** ..... D3/272, 273, 274, D3/276, 281, 291, 294, 302, 905; D32/53; D9/424; 206/349, 372, 373, 508; 220/771, 782, 784, 752, 773

(56) **References Cited**

**U.S. PATENT DOCUMENTS**

D232,152 S	7/1974	Roper et al.	.....	D32/53
D233,218 S	10/1974	Lynn	.....	D32/53
3,866,791 A	2/1975	Roper et al.	.....	220/770
D327,555 S	6/1992	Juergens	.....	D34/1
D339,436 S	9/1993	Craft, Jr. et al.	.....	D32/53
5,472,111 A	12/1995	Renfrew	.....	220/570
5,641,090 A	6/1997	Kowalski et al.	.....	220/782
D407,878 S	4/1999	Carlson	.....	D32/53

*Primary Examiner*—Philip S. Hyder

(74) *Attorney, Agent, or Firm*—Brandon N. Sklar; Kaye Scholer, LLP

(57) **CLAIM**

The ornamental design for a container, as shown and described.

**DESCRIPTION**

FIG. 1 is a top, front, and right side perspective view of a container in accordance with an embodiment of my invention, with a handle in an upright position and a lid in a closed position, showing my design;

FIG. 2 is a top elevational view of the container of FIG. 1;

FIG. 3 is a front elevational view of the container of FIG. 1;

FIG. 4 is a left side elevational view of the container of FIG. 1;

FIG. 5 is a rear elevational view of the container of FIG. 1;

FIG. 6 is a bottom view of the container of FIG. 1;

FIG. 7 is a top, front, and right side perspective view of the container of FIG. 1, with the handle in a lowered position and the lid in an opened position;

FIG. 8 is a top, front, and right side perspective view of a container in accordance with another embodiment of my invention, with a lid in a closed position. A handle shown in phantom in FIG. 8 is not part of the claimed design. The lid may be opened as shown in FIG. 7. Except for the handle shown in phantom in FIG. 8, the top elevational view, front elevational view, left side elevational view, rear elevational view, and bottom view of the container of FIG. 8 are the same as in FIGS. 2, 3, 4, 5, and 6, respectively;

FIG. 9 is a top, front, and right side perspective view of a container in accordance with another embodiment of my invention, with a handle in an upright position and a lid in a closed position;

FIG. 10 is a top elevational view of the container of FIG. 9. The front elevational view, left side elevational view, rear elevational view, and bottom view of the container of FIG. 9 are the same as in FIGS. 3, 4, 5, and 6, respectively;

FIG. 11 is a top, front, and right side perspective view of the container of FIG. 9, with the handle in a lowered position and the lid in an opened position;

FIG. 12 is a top, front, and right side perspective view of a container in accordance with another embodiment of my invention, with a lid in a closed position. A handle shown in phantom in FIG. 12 is not part of the claimed design. The lid may be opened as shown in FIG. 11. Except for the handle shown in phantom in FIG. 12, the top elevational view, front elevational view, left side elevational view, rear elevational view, and bottom view of the container of FIG. 12 are the same as in FIGS. 10, 3, 4, 5, and 6, respectively;

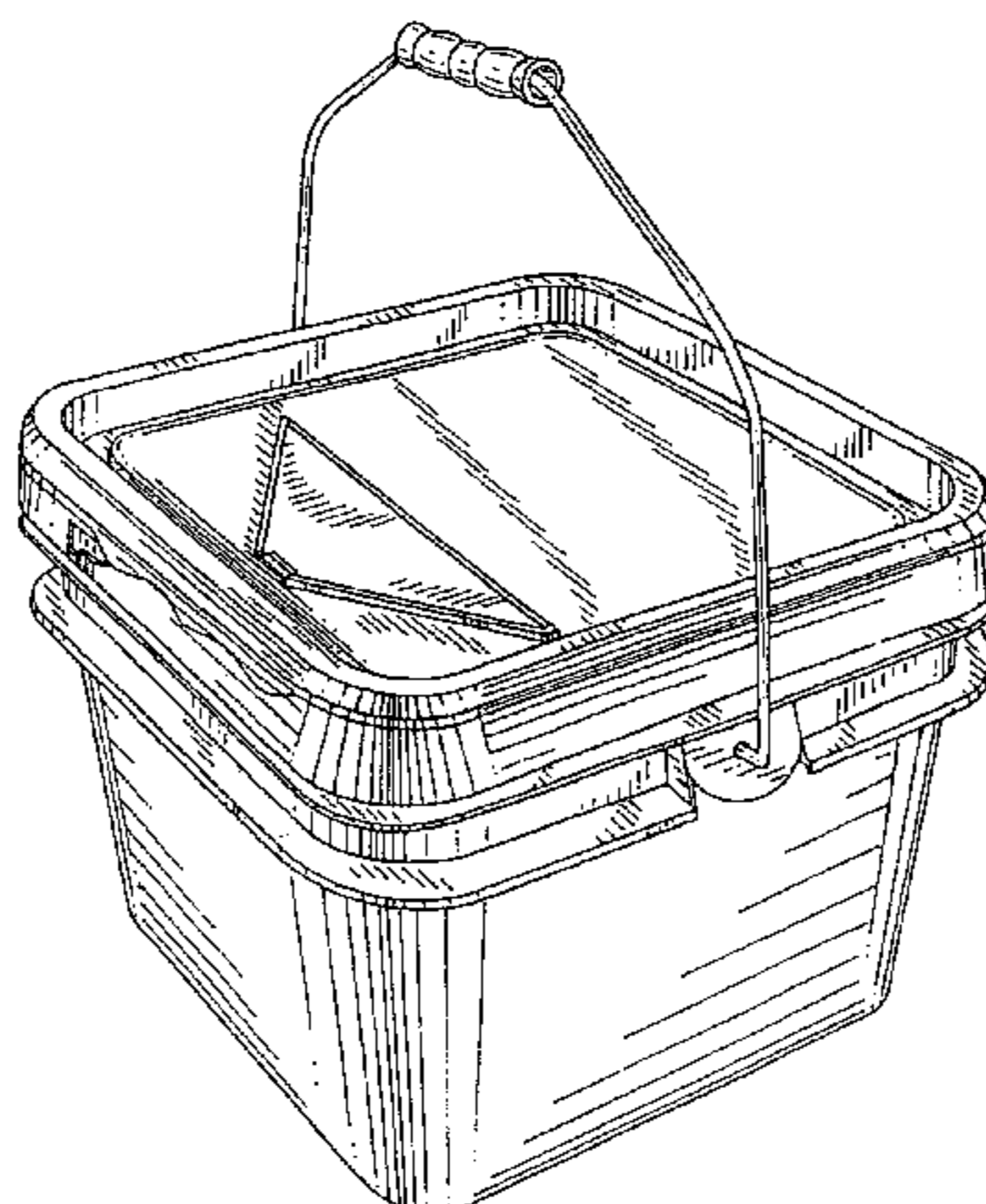


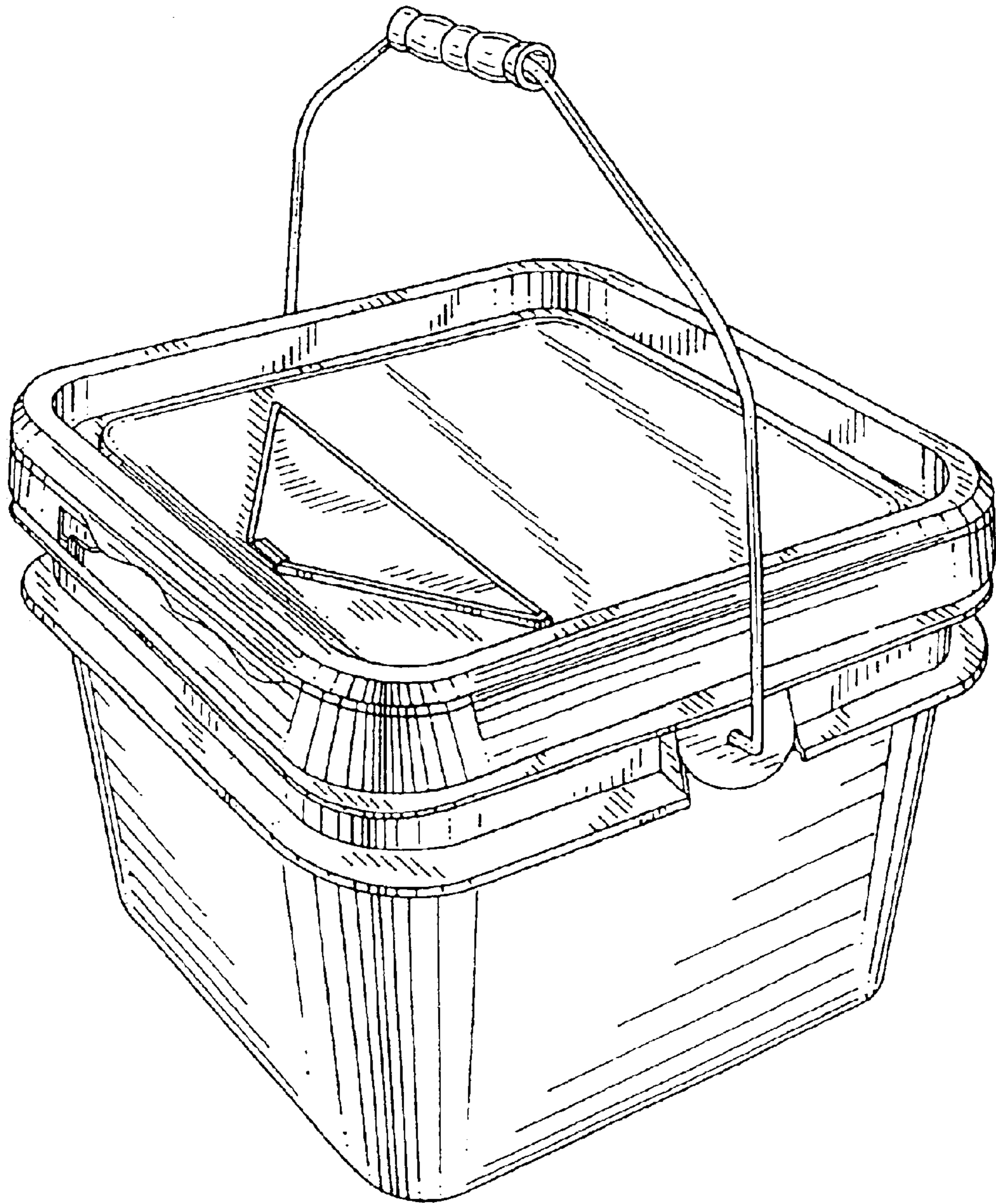
FIG. 13 is a top, front, and right side perspective view of a container in accordance with another embodiment of my invention, with a handle in an upright position and two lids in a closed position;

FIG. 14 is a top elevational view of the container of FIG. 13. The front elevational view, left side elevational view, rear elevational view, and bottom view of the container of FIG. 13 are the same as in FIGS. 3, 4, 5, and 6, respectively;

FIG. 15 is a top, front, and right side perspective view of the container of FIG. 13, with the handle in a lowered position and one lid in an opened position and another lid in the closed position; and,

FIG. 16 is a top, front, and right side perspective view of a container in accordance with another embodiment of my invention, with two lids in a closed position. A handle shown in phantom in FIG. 16 is not part of the claimed design. Any of the two lids may be opened as shown in FIG. 15. Except for the handle shown in phantom in FIG. 16, the top elevational view, front elevational view, left side elevational view, rear elevational view, and bottom view of the container of FIG. 16 are the same as in FIGS. 14, 3, 4, 5, and 6, respectively.

**1 Claim, 16 Drawing Sheets**



*FIG. 1*

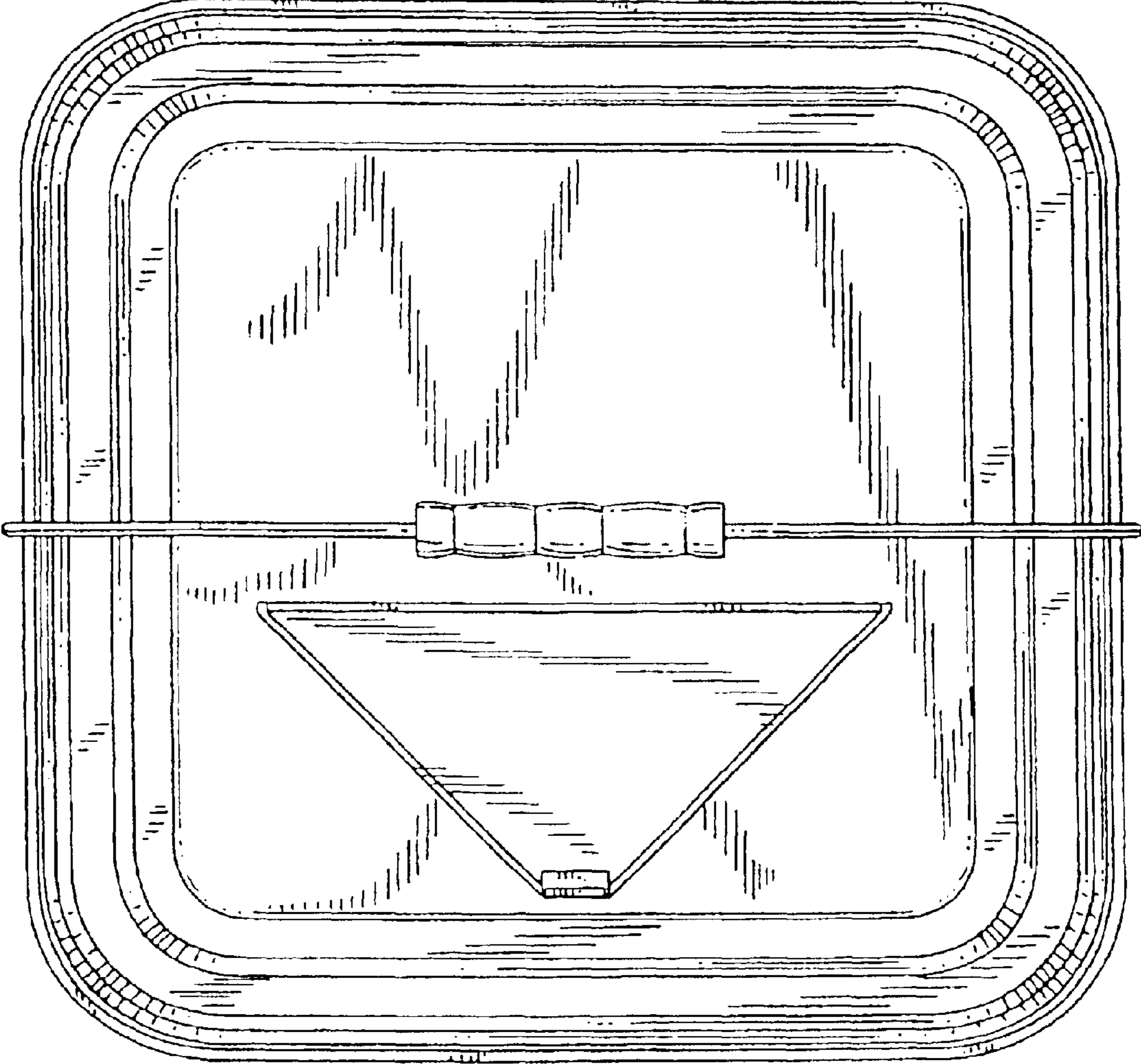


FIG. 2

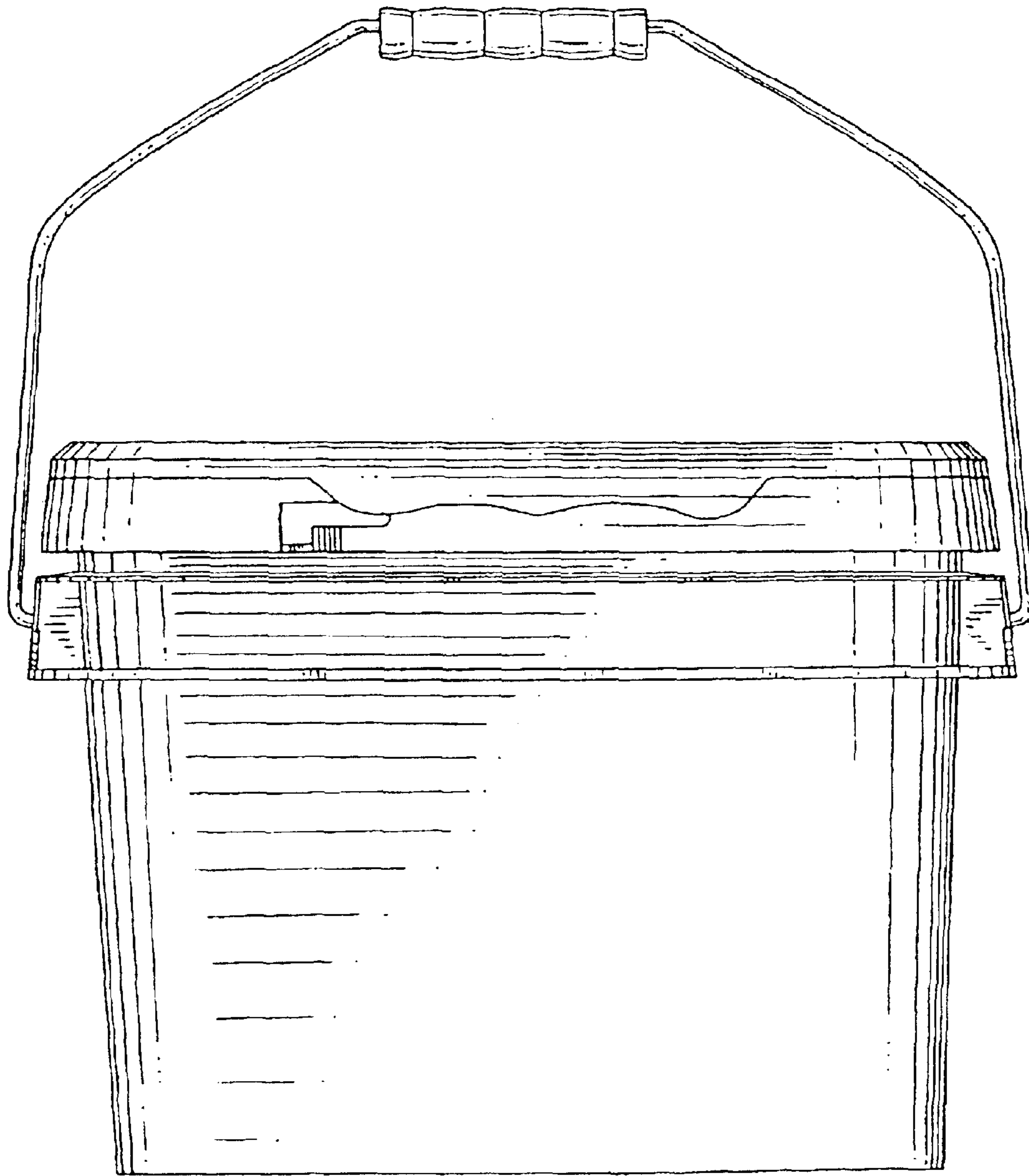


FIG. 3

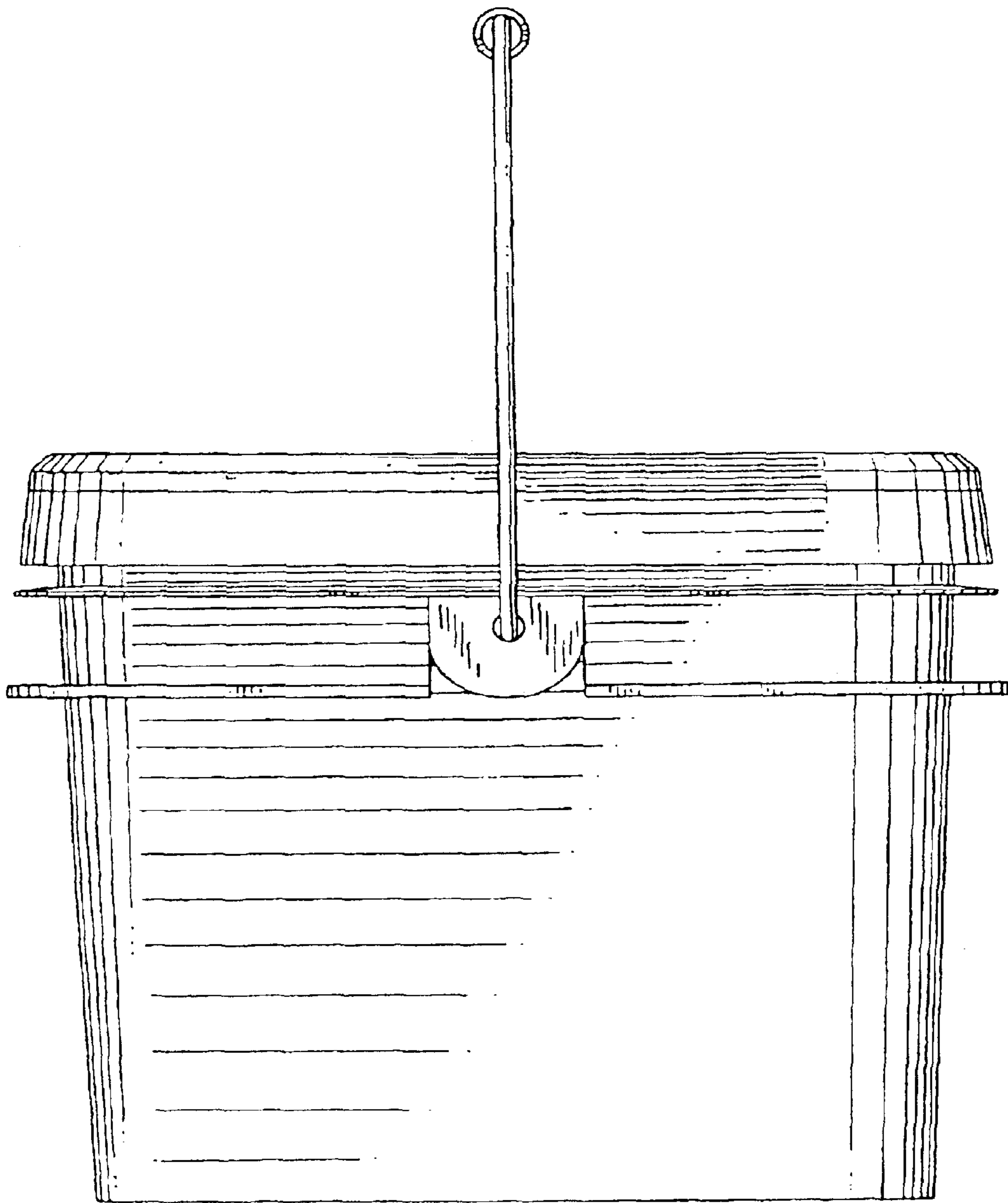


FIG. 4

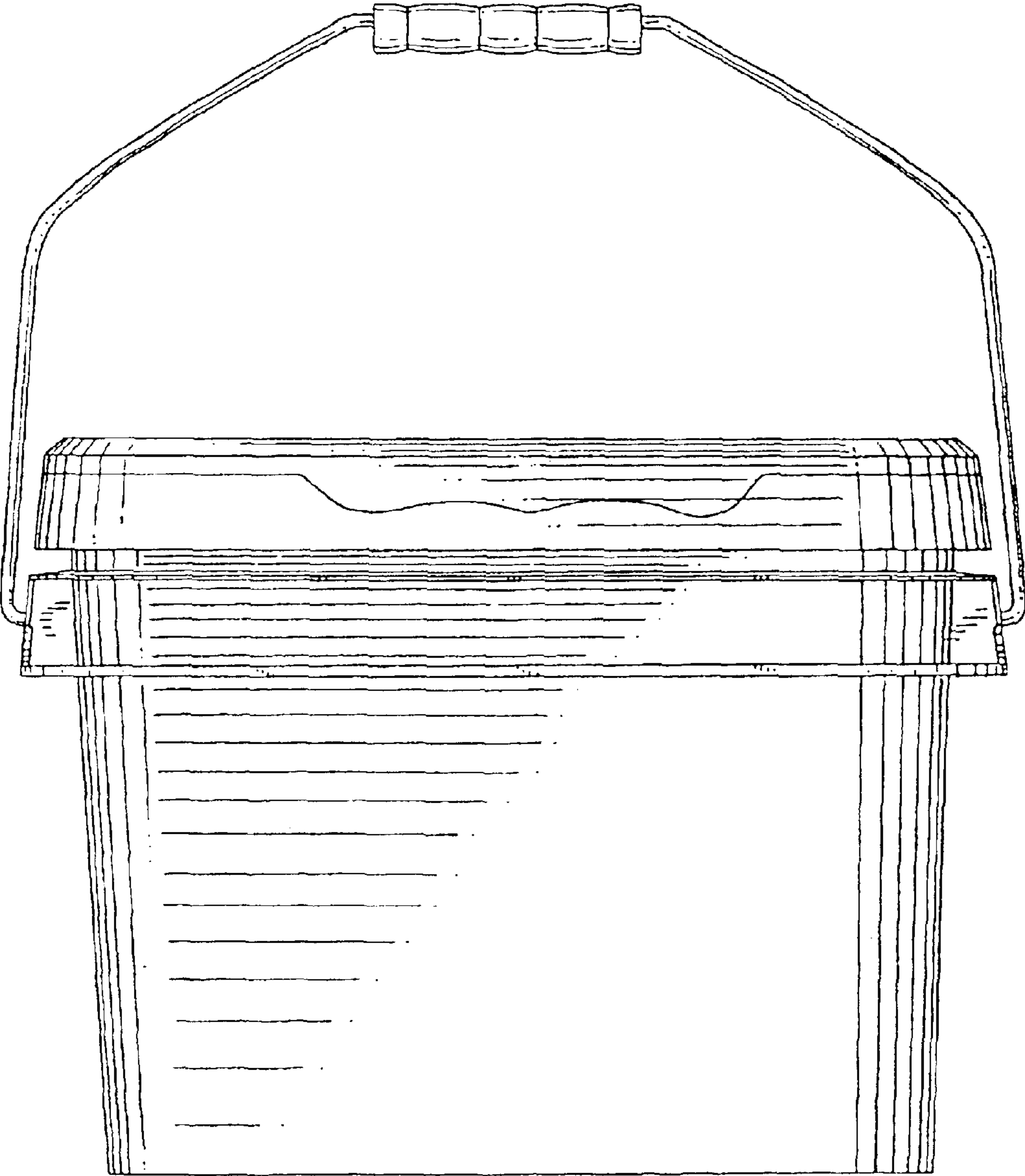


FIG. 5

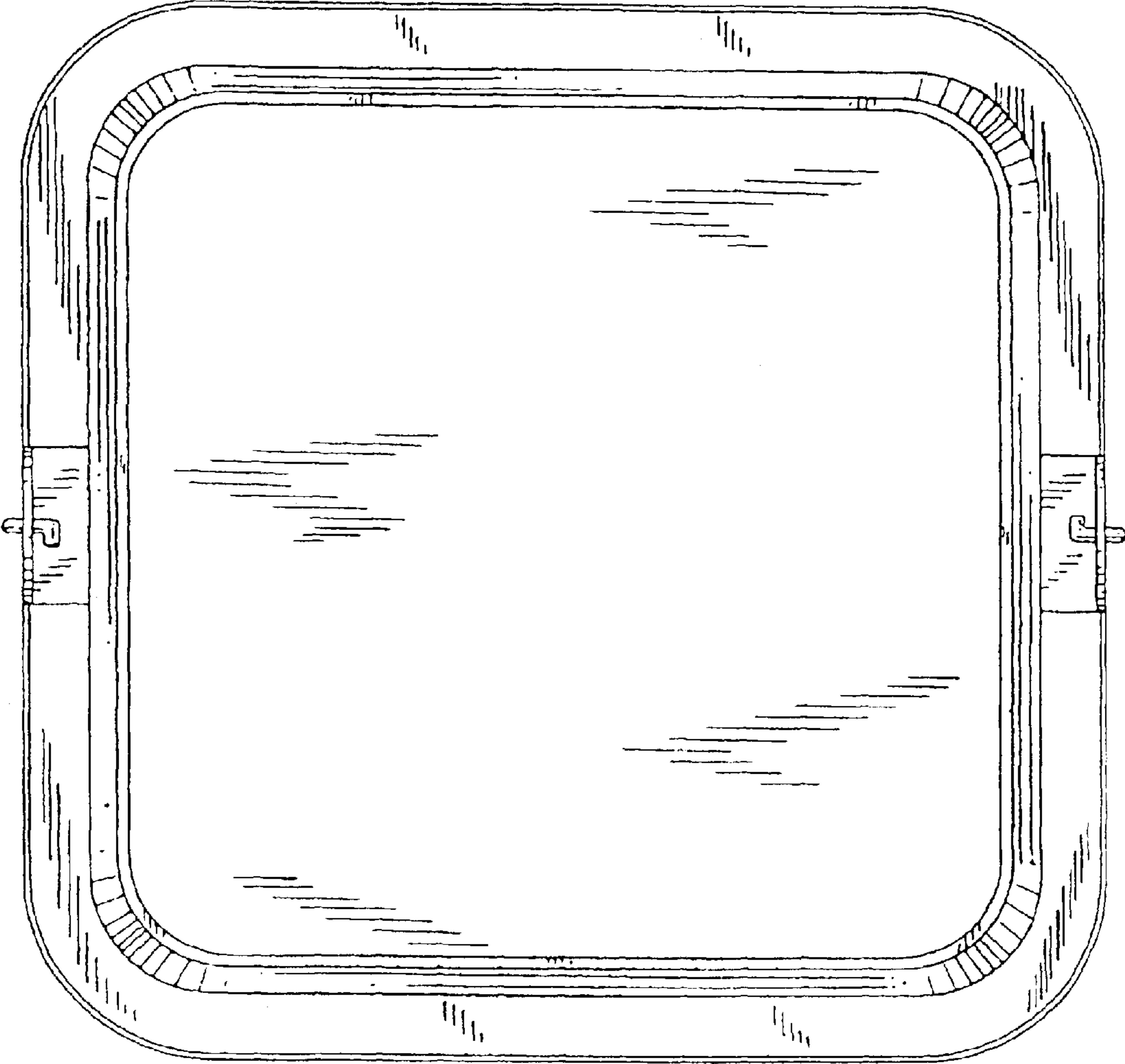
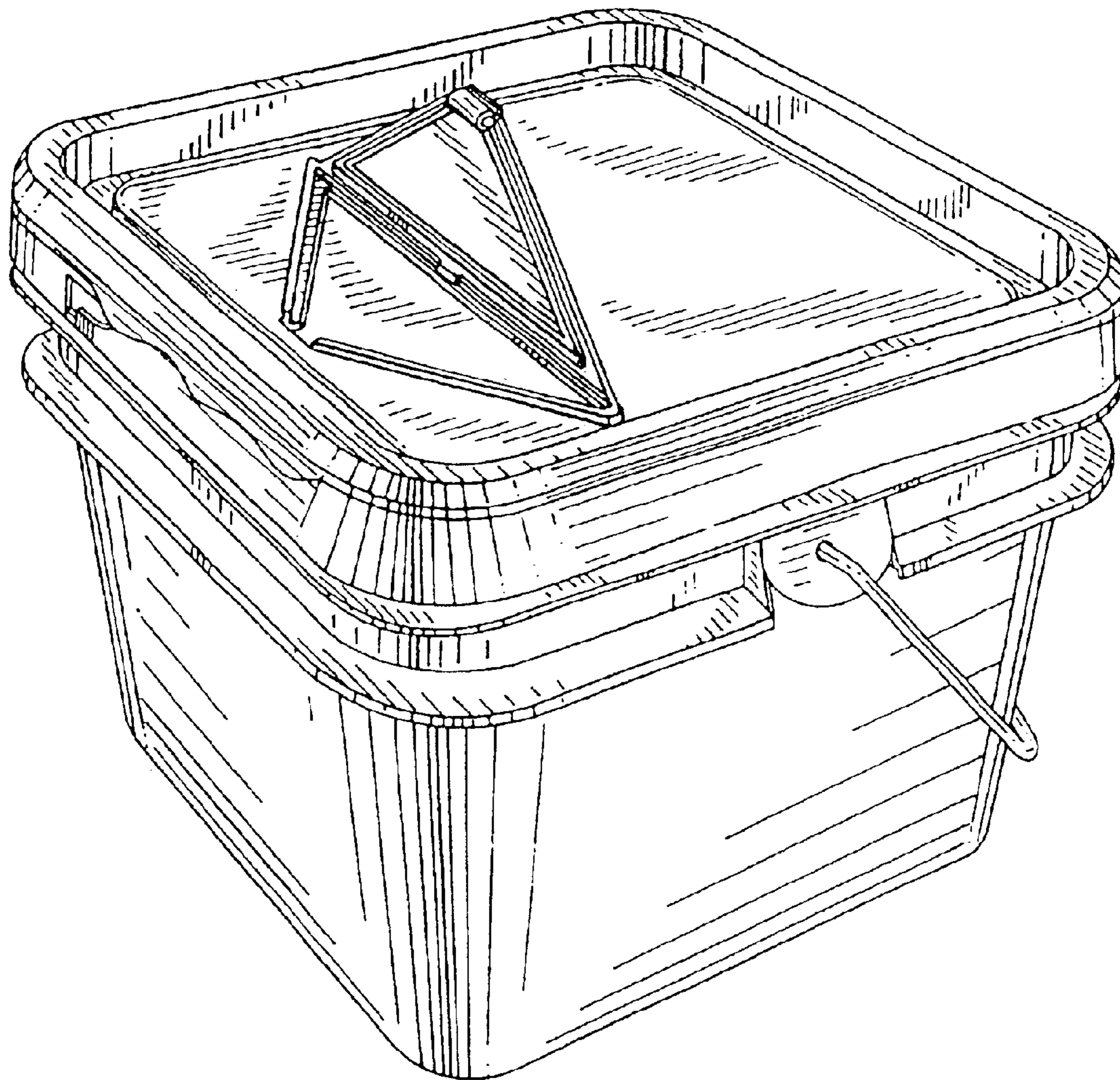


FIG. 6





*FIG. 7*

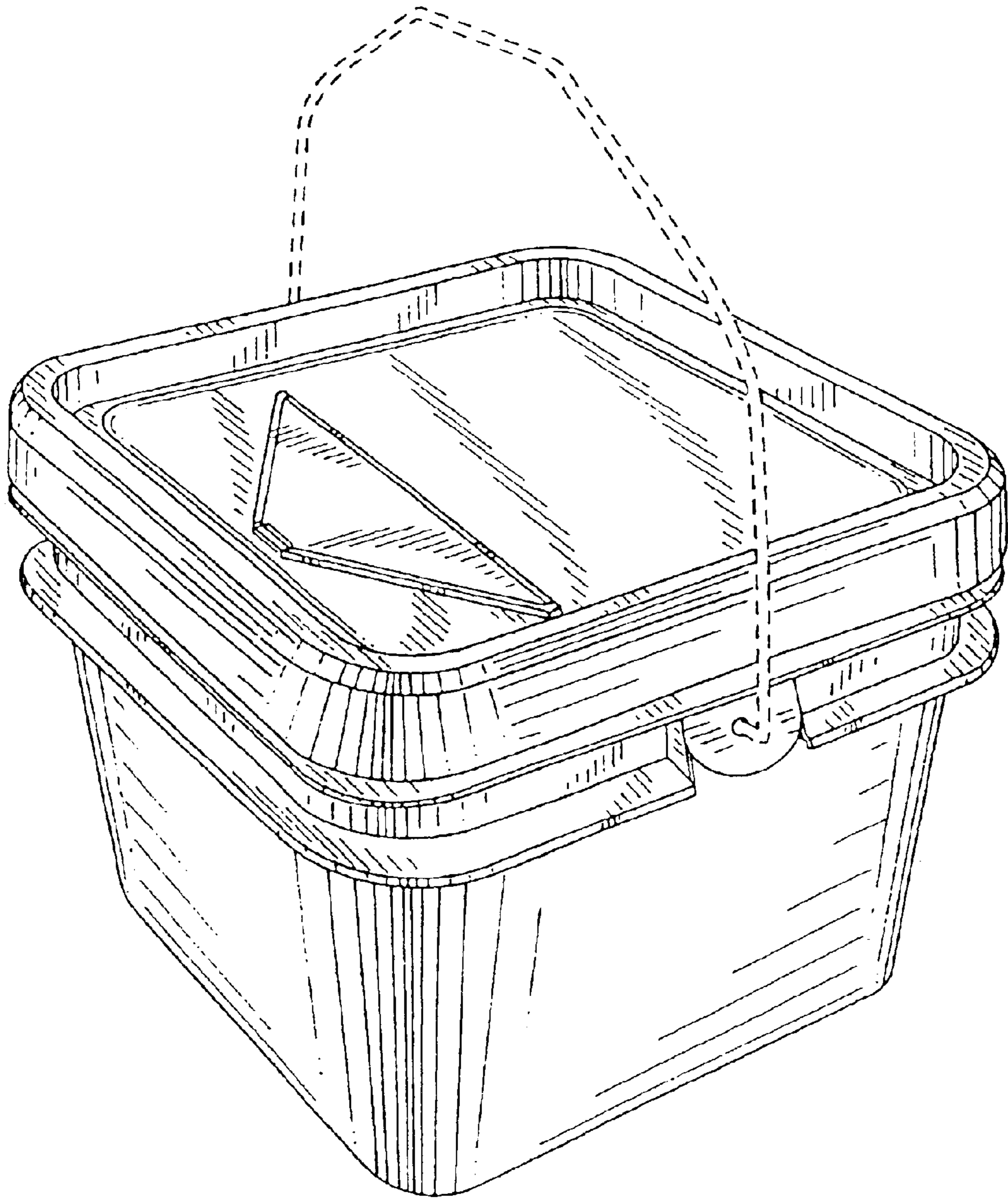
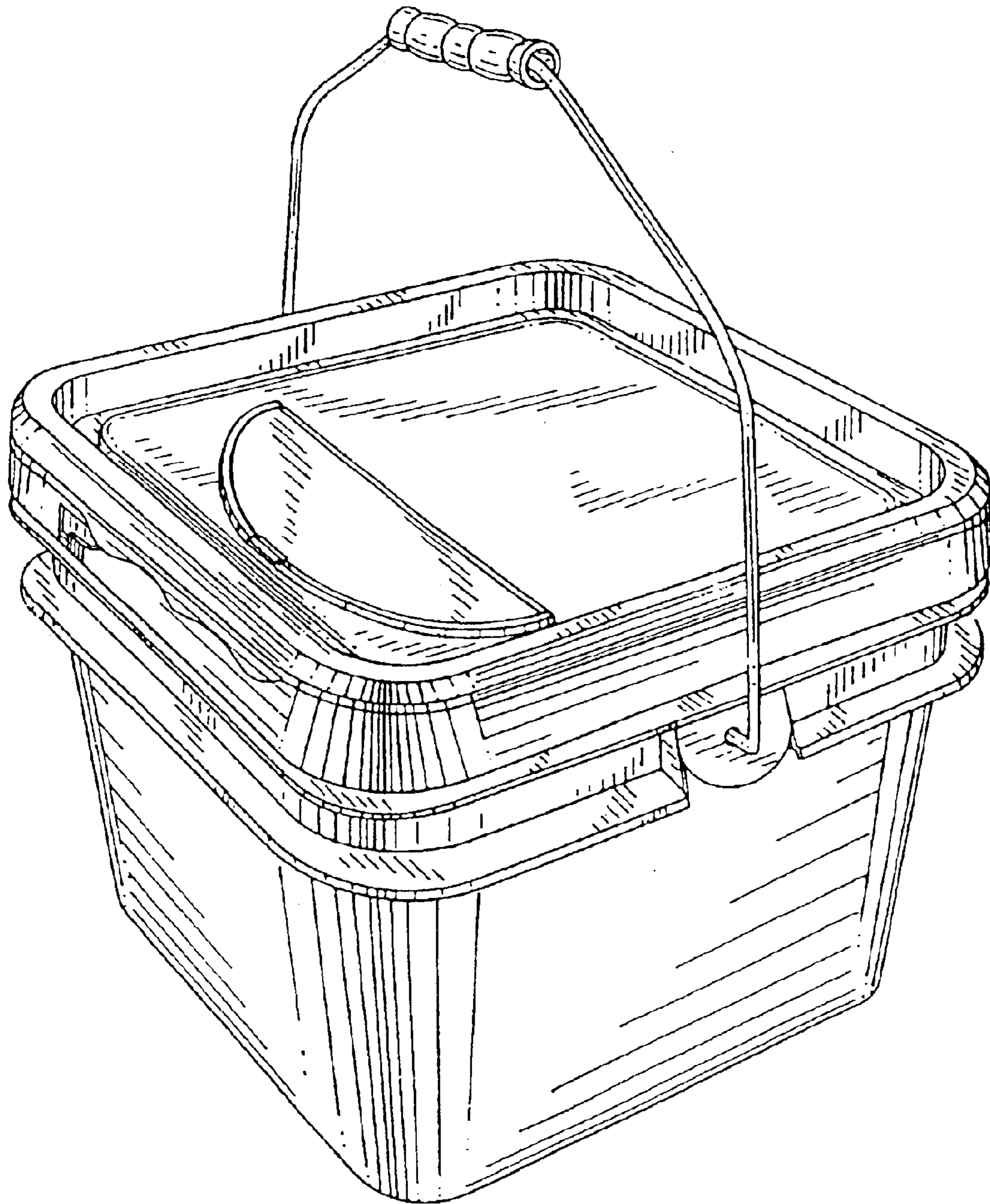


FIG. 8



*FIG. 9*

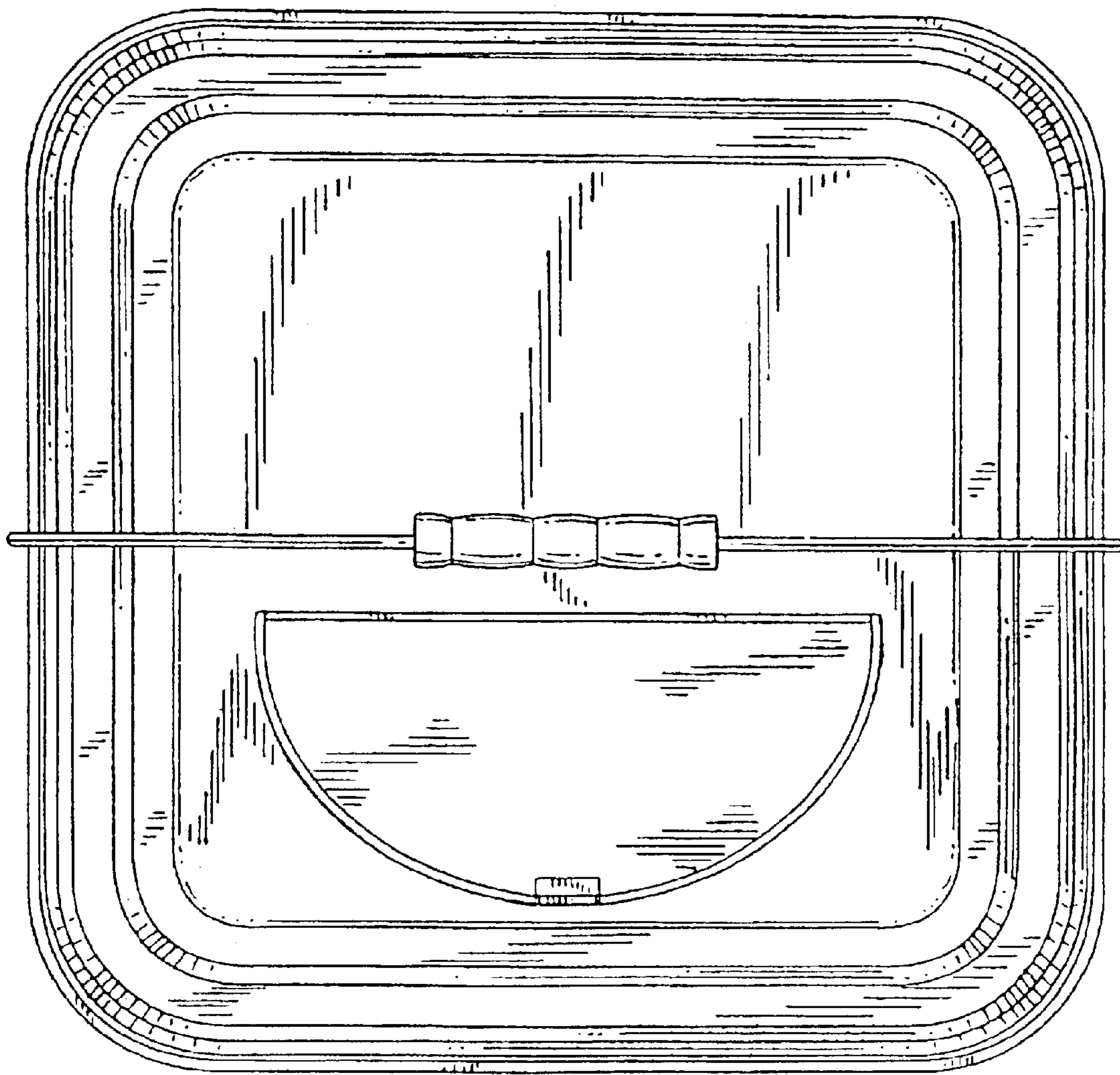
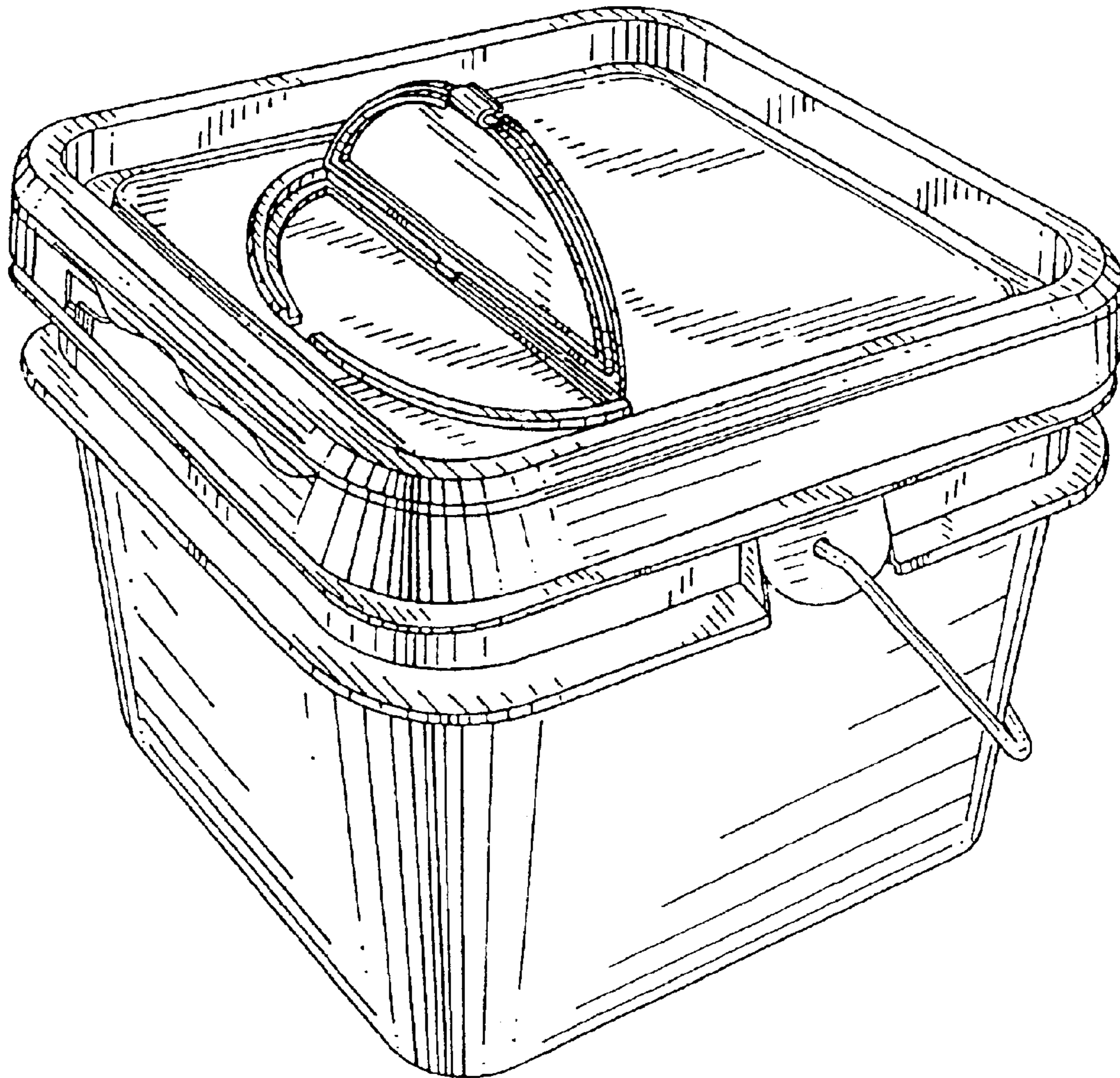


FIG. 10



*FIG. 11*

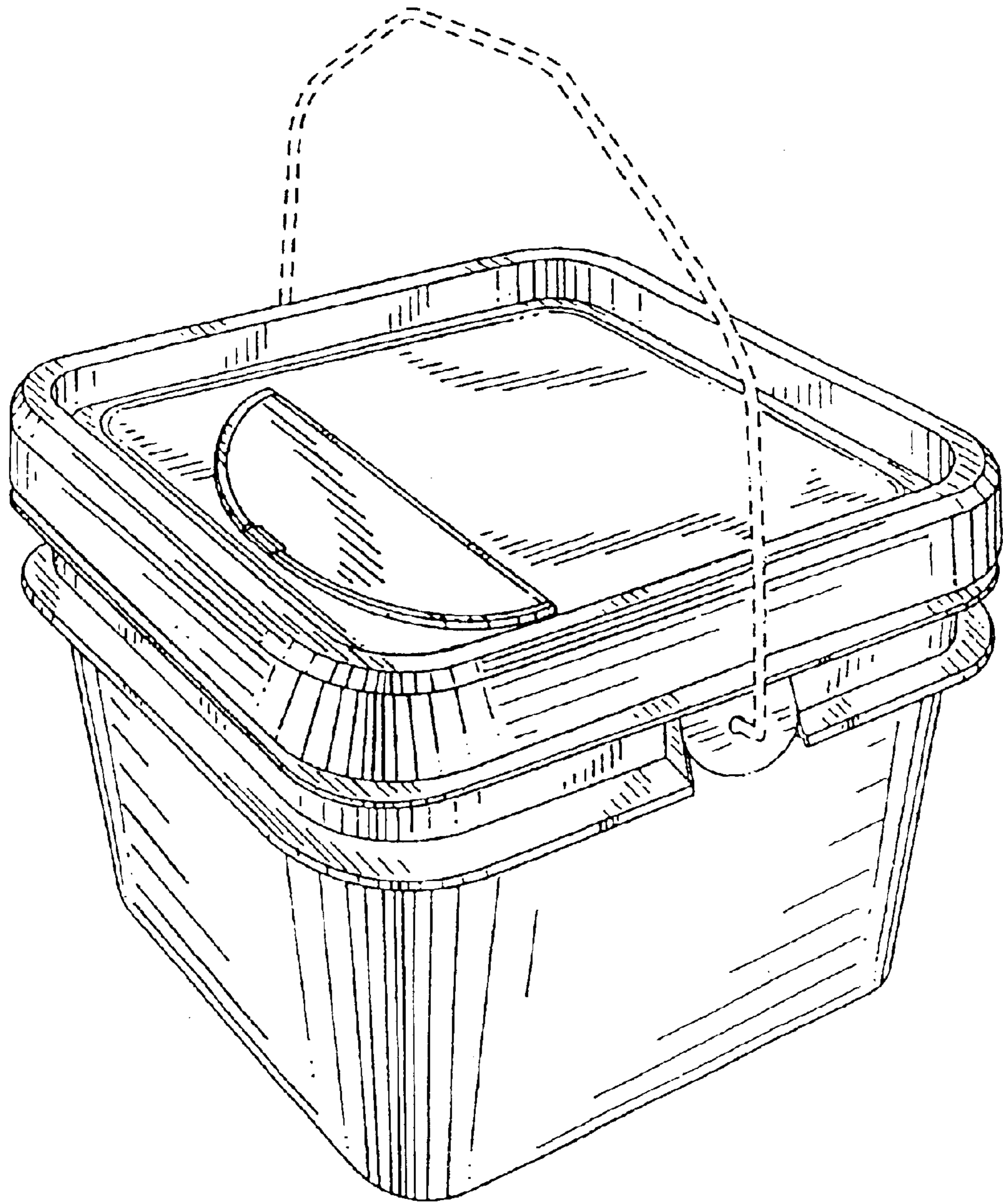


FIG. 12

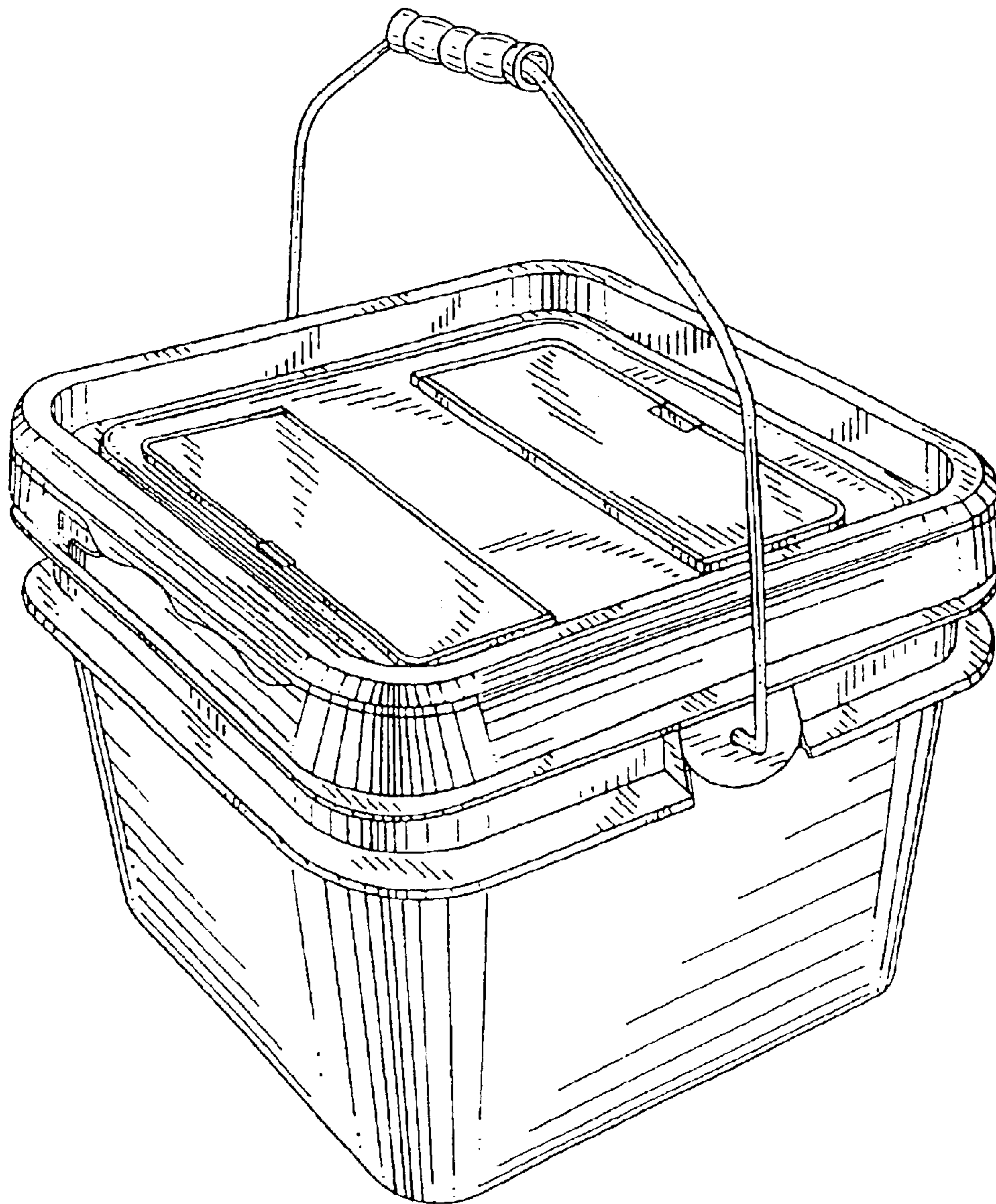


FIG. 13

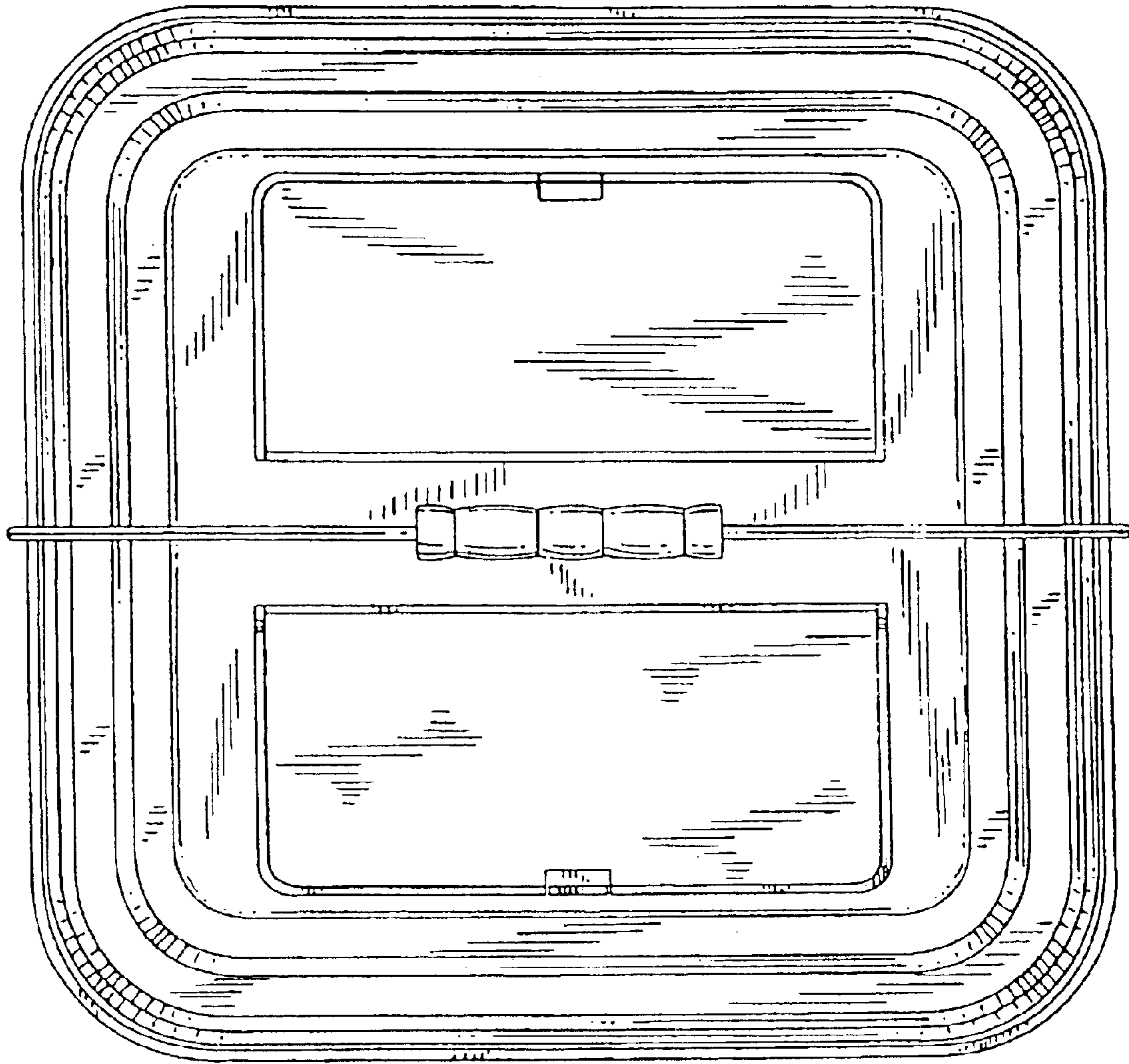
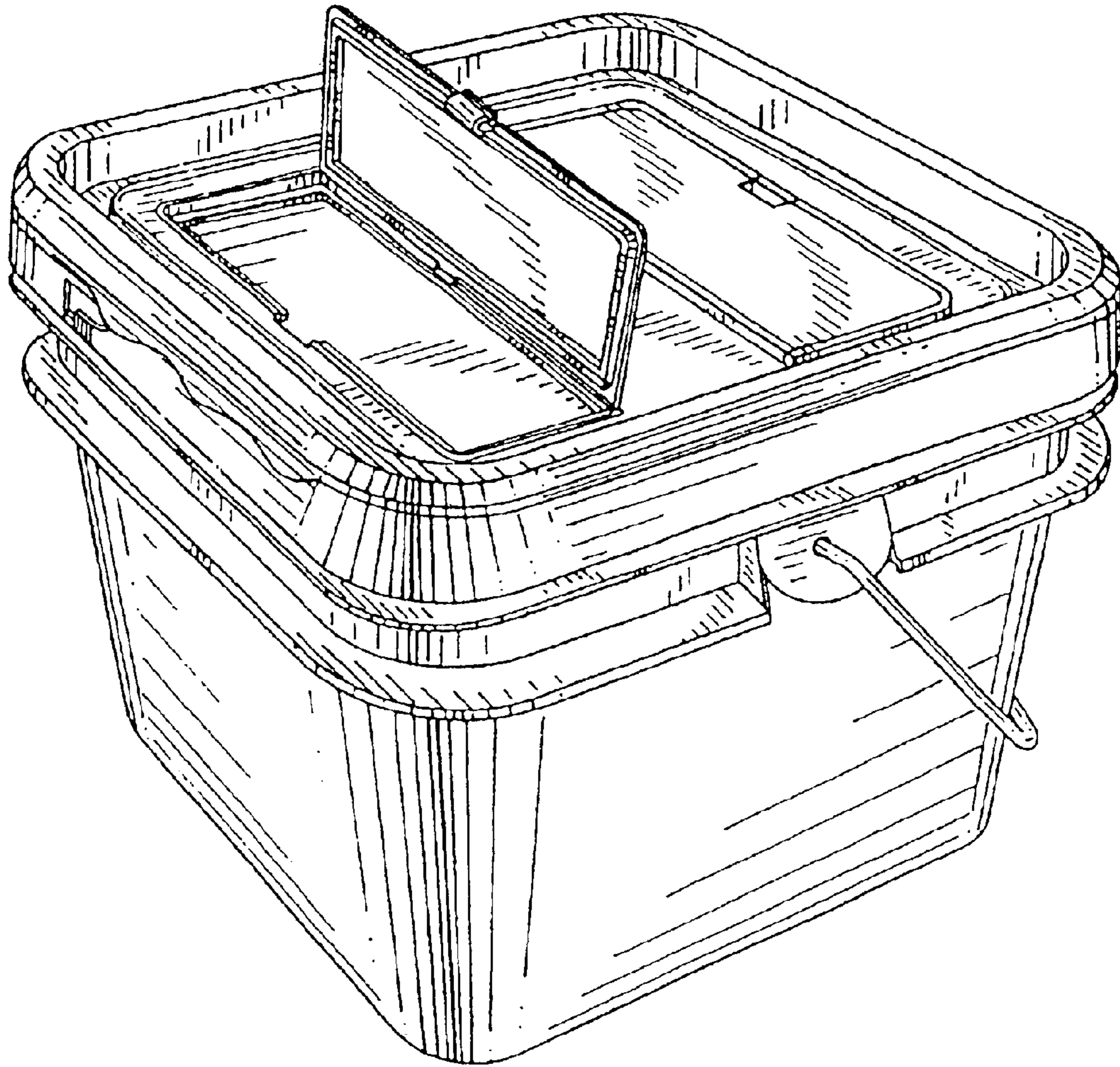


FIG. 14





*FIG. 15*

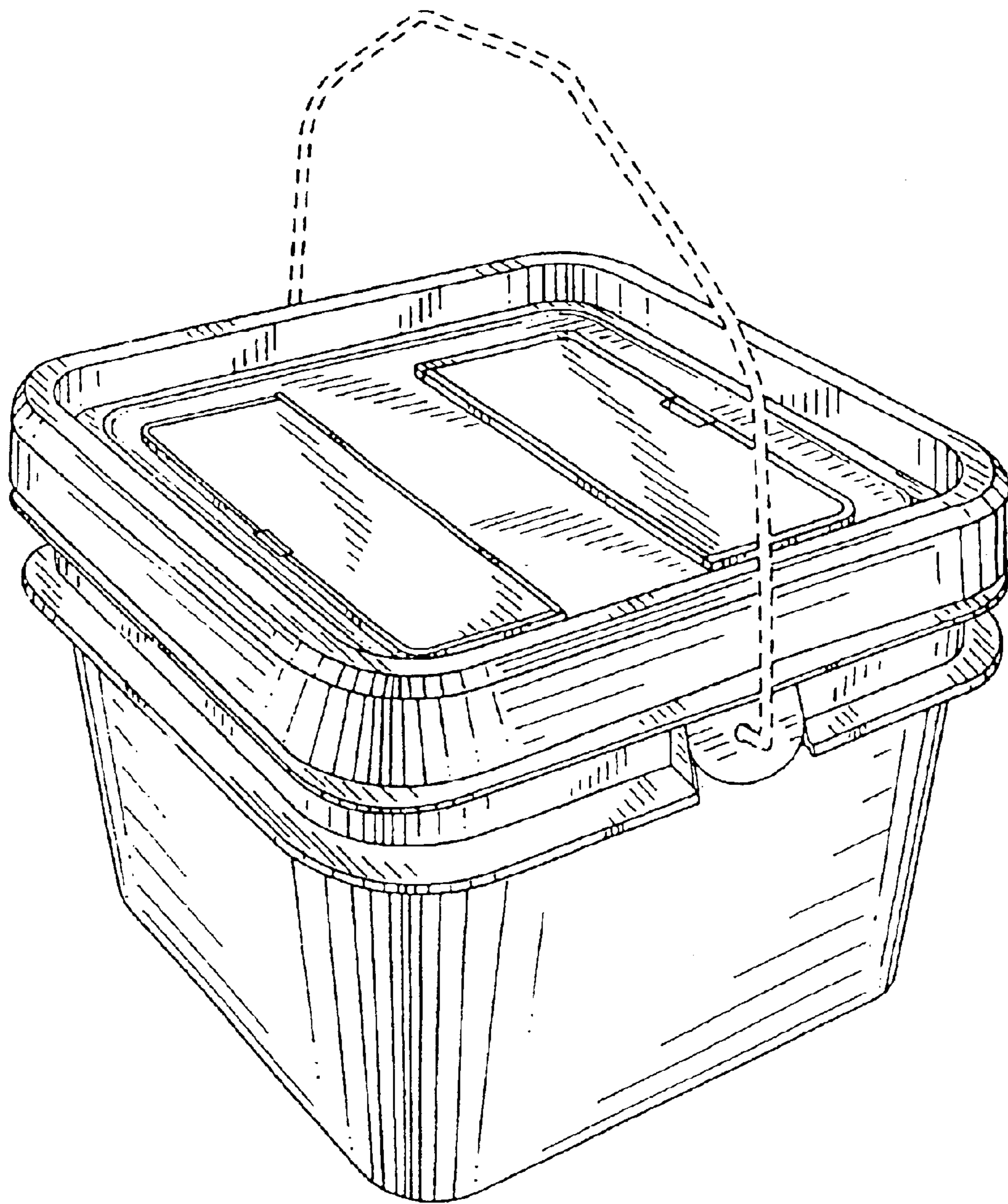


FIG. 16