



US00D506606S

(12) **United States Design Patent**  
**Huang**

(10) **Patent No.: US D506,606 S**  
(45) **Date of Patent: \*\* Jun. 28, 2005**

(54) **LIGHT-EMITTING PENDENT ORNAMENT  
ON KEY RING**

D344,627 S \* 3/1994 Hochman ..... D3/211

\* cited by examiner

(76) Inventor: **Chin-Lin Huang**, No5, Kuang Cheng  
St., Panchiao 220, Taipei Hsien (TW)

*Primary Examiner*—Ralf Seifert

(74) *Attorney, Agent, or Firm*—Bacon & Thomas PLLC

(\*\*) Term: **14 Years**

(57) **CLAIM**

(21) Appl. No.: **29/183,055**

The ornamental design for support frame of a light-emitting  
pendent ornament on key ring, as shown and described.

(22) Filed: **Jun. 6, 2003**

**DESCRIPTION**

(51) **LOC (8) Cl.** ..... **03-01**

(52) **U.S. Cl.** ..... **D3/211**

(58) **Field of Search** ..... D3/207–212; 70/457–459,  
70/456 R, 456 B; D11/11; 24/36

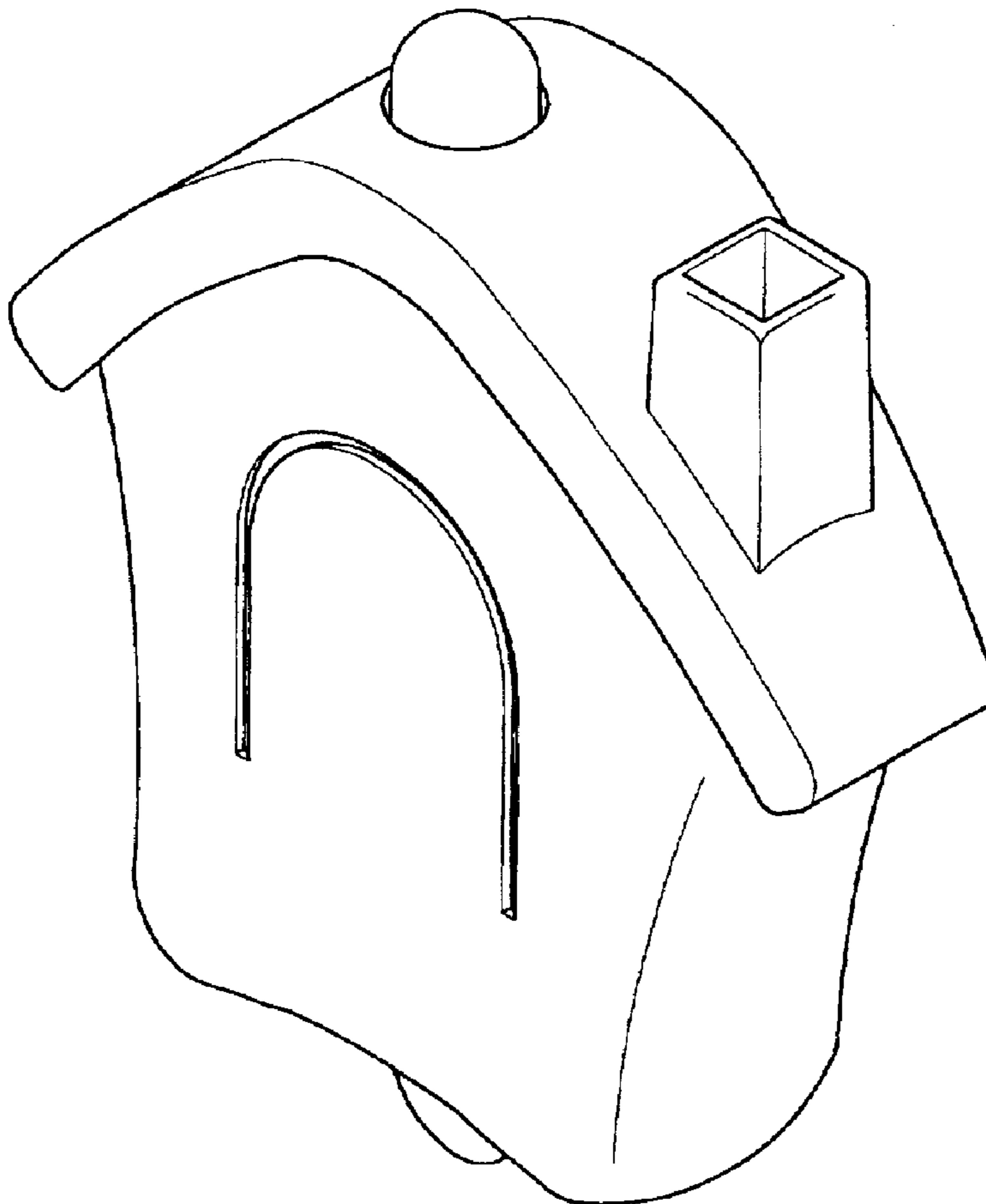
FIG. 1. Is a Top, Front Right Side Perspective View Thereof;  
FIG. 2. Is a Front Elevational View Thereof;  
FIG. 3. Is a Rear Elevational View Thereof;  
FIG. 4. Is a Left Plan View Thereof;  
FIG. 5. Is a Right Plan View Thereof;  
FIG. 6. Is a Top Plan View Thereof; and,  
FIG. 7. Is a Bottom Plan View Thereof.

(56) **References Cited**

**U.S. PATENT DOCUMENTS**

D107,523 S \* 12/1937 Lampl ..... D11/81  
D209,675 S \* 12/1967 Calhoun ..... D11/111

**1 Claim, 4 Drawing Sheets**



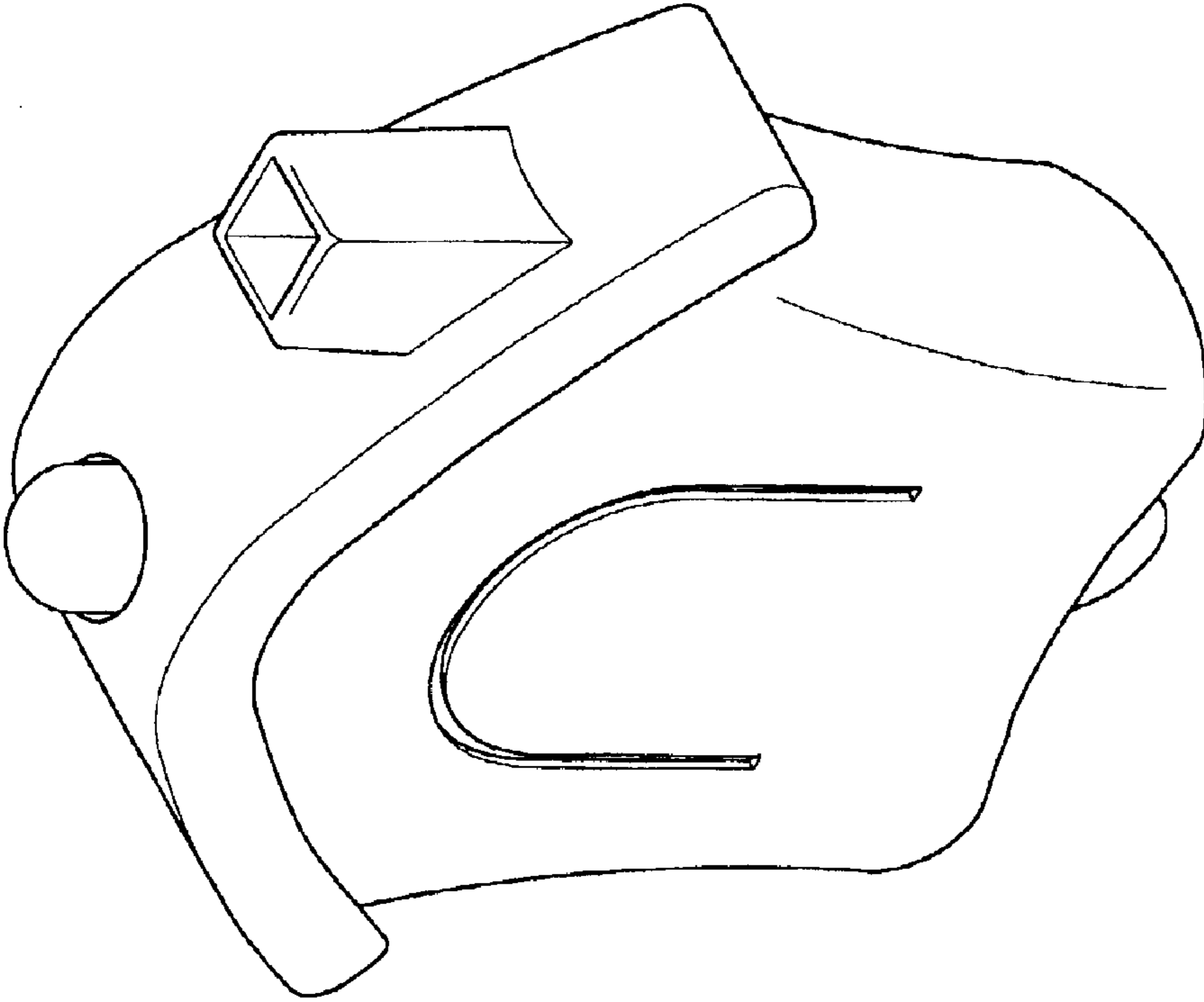


FIG. 1

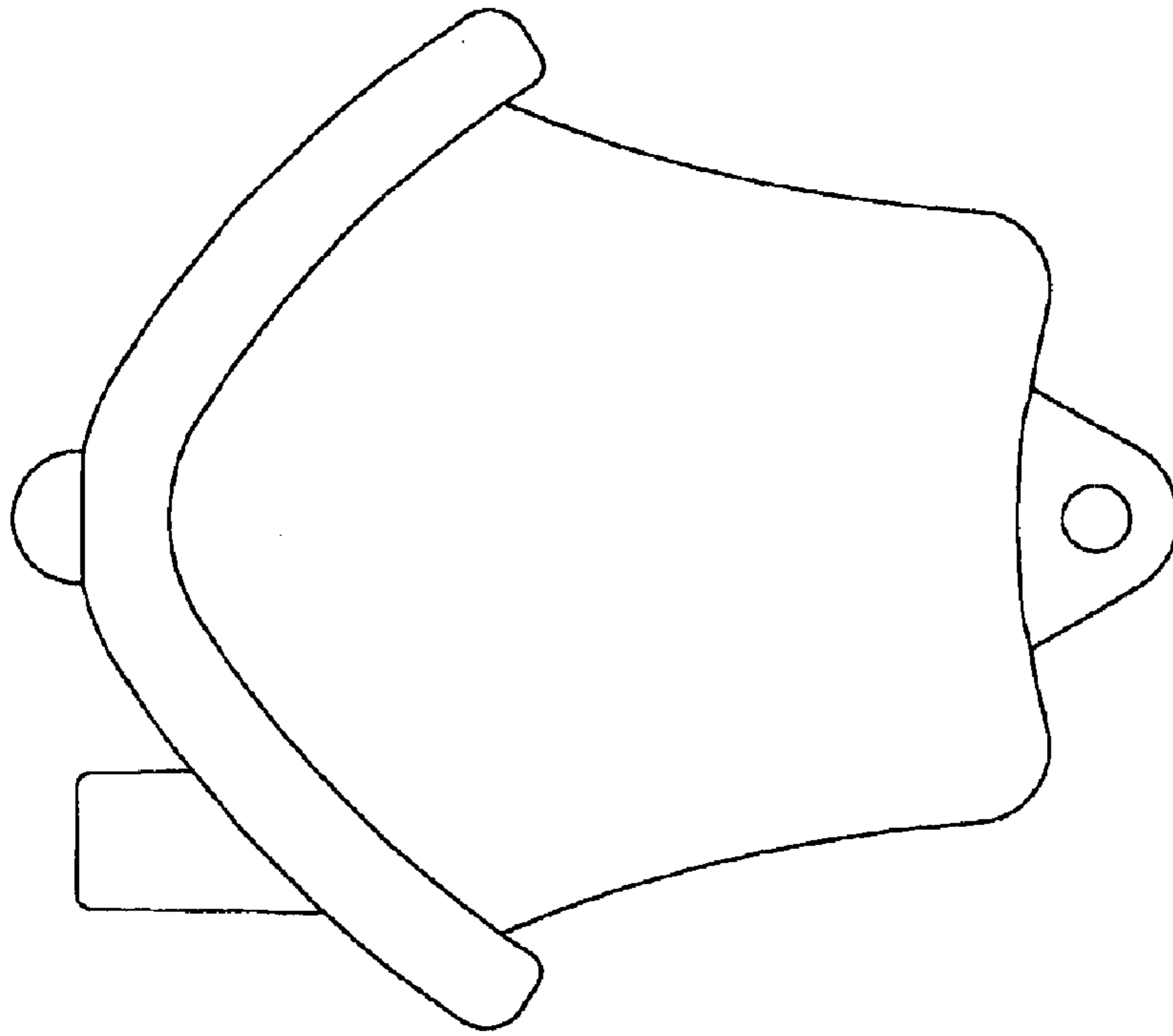


FIG. 3

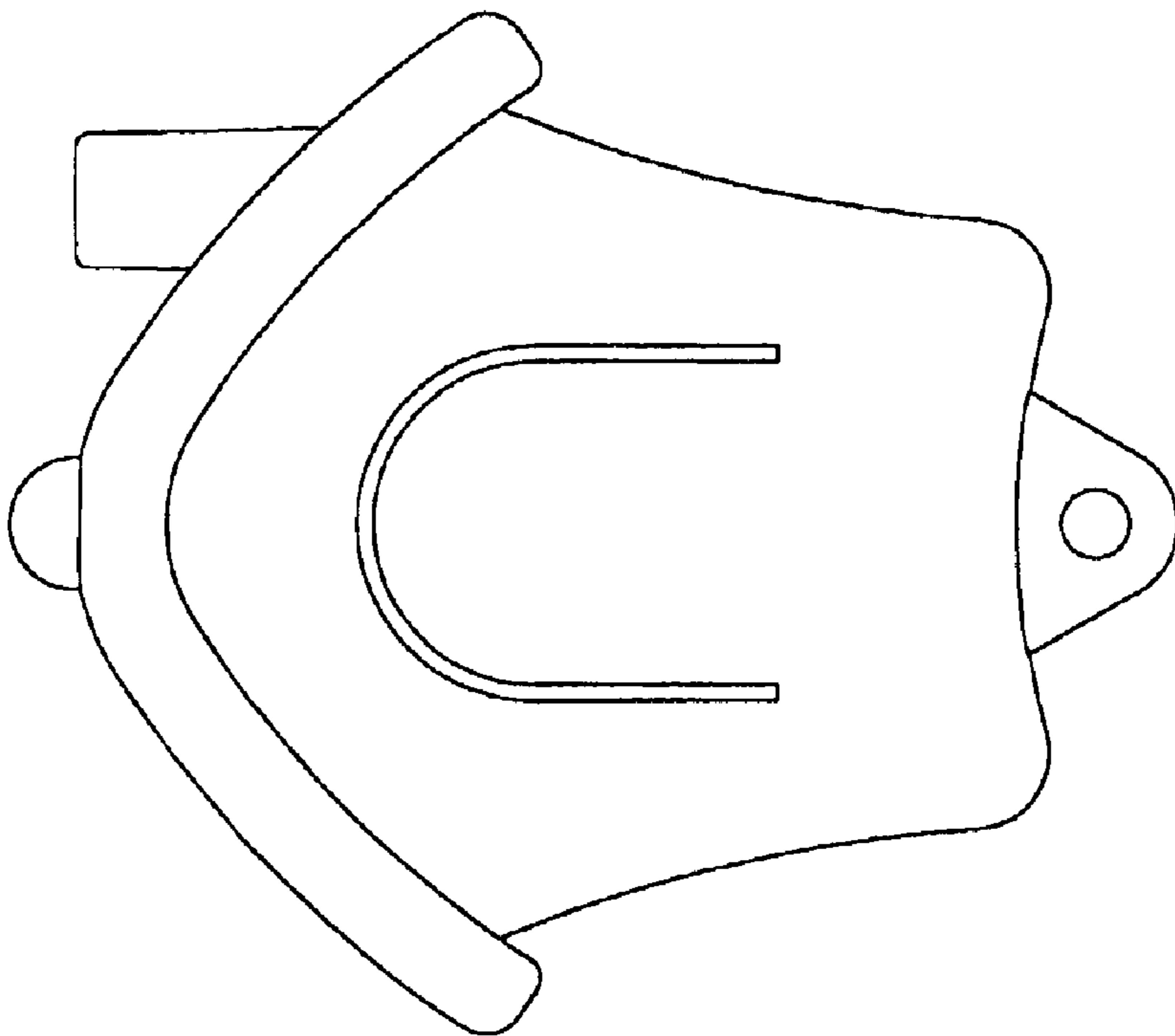


FIG. 2

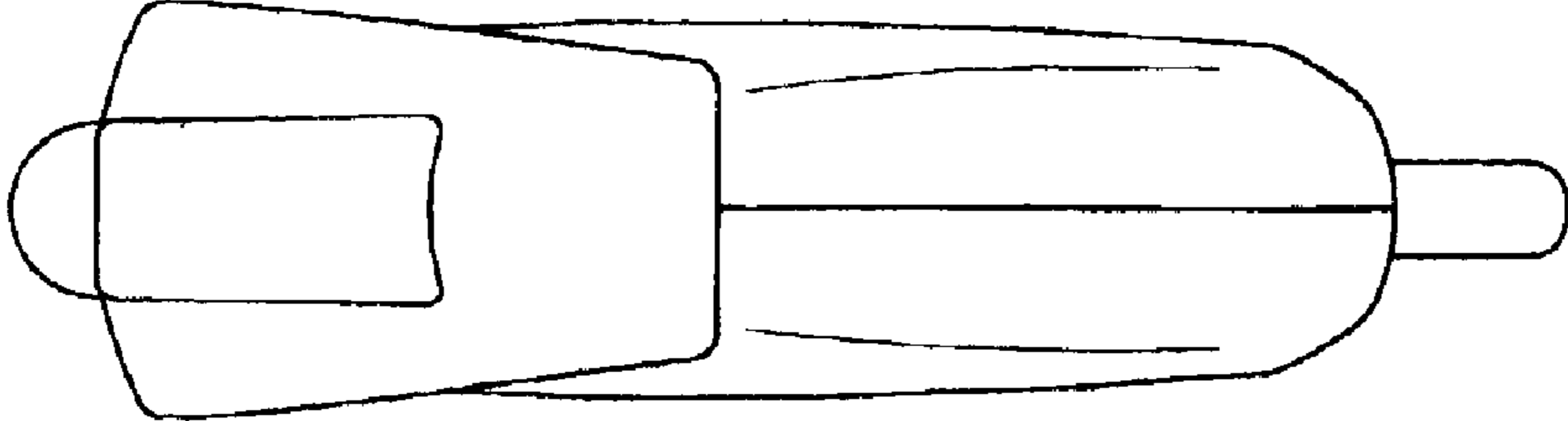


FIG. 4

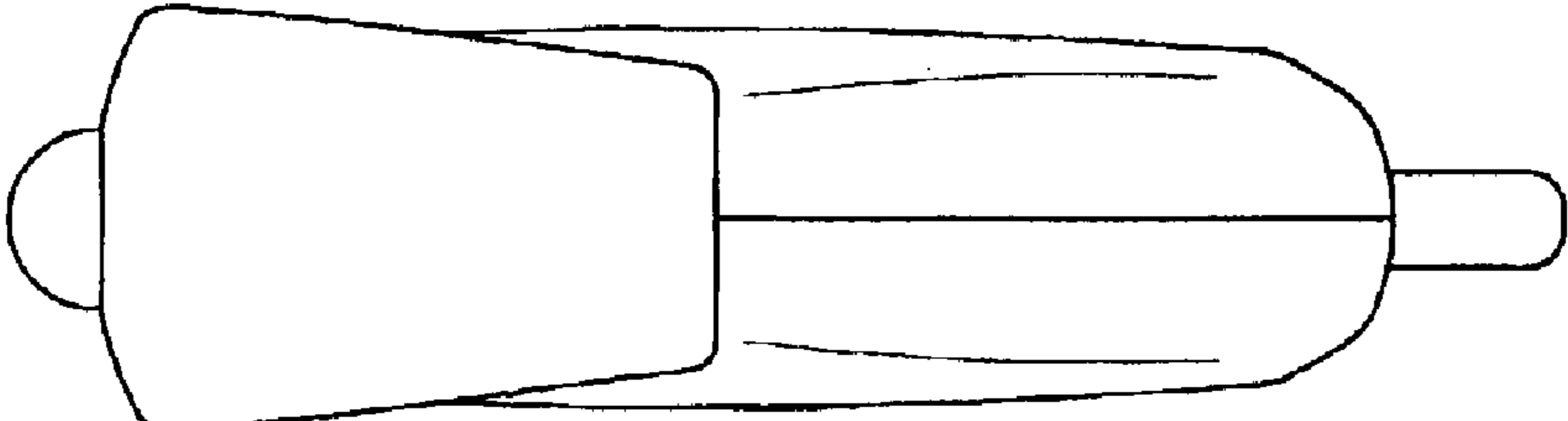


FIG. 5

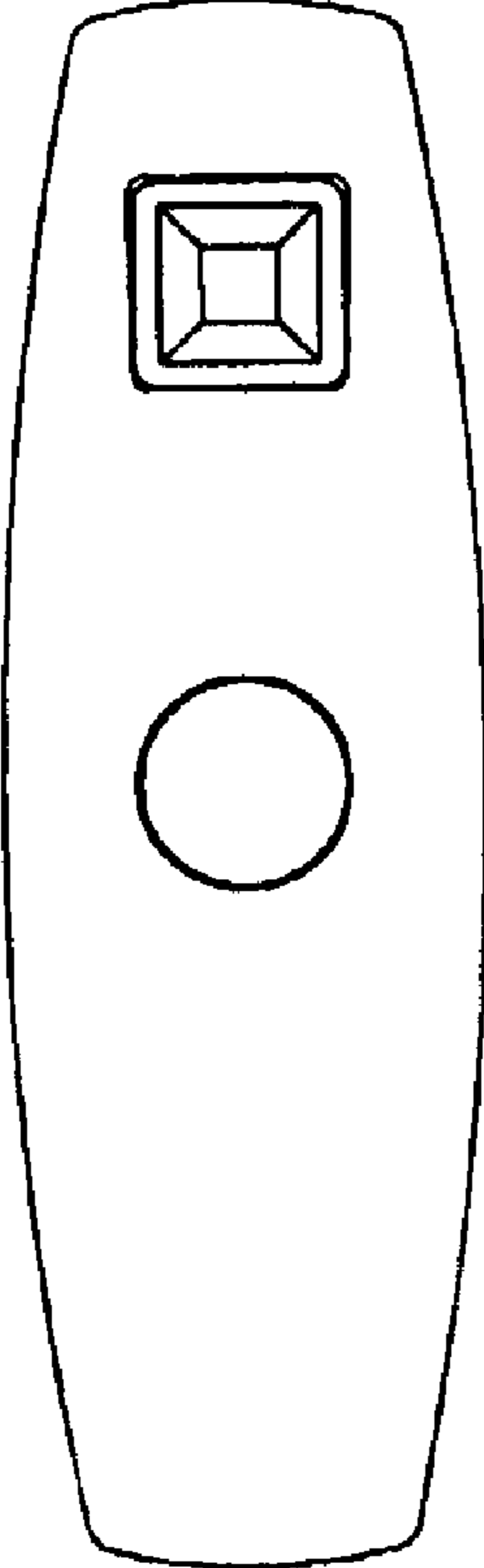


FIG. 6

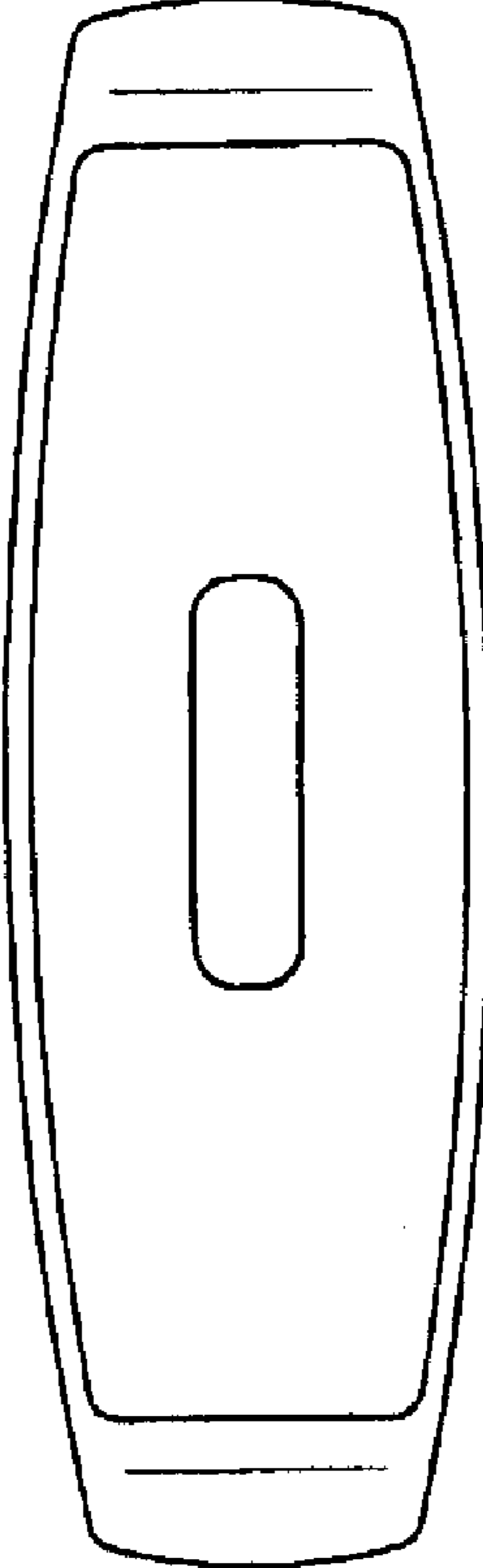


FIG. 7