

US00D506604S

(12) **United States Design Patent**  
**Parker, Jr. et al.**

(10) **Patent No.: US D506,604 S**  
(45) **Date of Patent: \*\* Jun. 28, 2005**

(54) **ROLL OF TEAR-OFF SANITARY BOOTIES FOR ELIMINATING SHOE TRANSFER OF FOOT DISEASE**

4,957,203 A \* 9/1990 Gilchrist, Jr. .... 206/286  
5,095,548 A 3/1992 Chesebro, Jr.  
D345,251 S 3/1994 Pounds  
D364,802 S \* 12/1995 Adkins, Jr. .... D2/980  
6,135,281 A \* 10/2000 Simhae ..... 206/390

(76) Inventors: **Earl J. Parker, Jr.**, 5370 Gilchrist Rd., Sebastopol, CA (US) 95472; **Teresa L. Hunter**, 5370 Gilchrist Rd., Sebastopol, CA (US) 95472

\* cited by examiner

(\*\*) Term: **14 Years**

*Primary Examiner*—Paula A. Greene

(21) Appl. No.: **29/195,479**

(74) *Attorney, Agent, or Firm*—Donald R. Schoonover

(22) Filed: **Dec. 15, 2003**

(57) **CLAIM**

(51) **LOC (8) Cl.** ..... **02-04**

We claim the ornamental design for a roll of tear-off sanitary booties for eliminating shoe transfer of foot disease, as shown and described.

(52) **U.S. Cl.** ..... **D2/980; D9/757**

**DESCRIPTION**

(58) **Field of Search** ..... D2/980, 994; 2/16, 2/239, 241; 36/1, 7.3, 7.1 R, 59 R, 72 C, 87; 66/171; 383/35, 37, 84, 93, 113, 117; 206/278, 286, 295, 296, 390, 438, 812, 820; D9/757, 707, 625, 415; 428/43

FIG. 1 is a perspective view of a roll of tear-off sanitary booties for eliminating shoe transfer of foot disease showing our new design;

FIG. 2 is a top plan view thereof;

FIG. 3 is a bottom plan view thereof;

FIG. 4 is a front elevational view thereof;

FIG. 5 is a rear elevational view thereof;

FIG. 6 is a side elevational view thereof, the elevational view of the opposing side being substantially identical thereto; and,

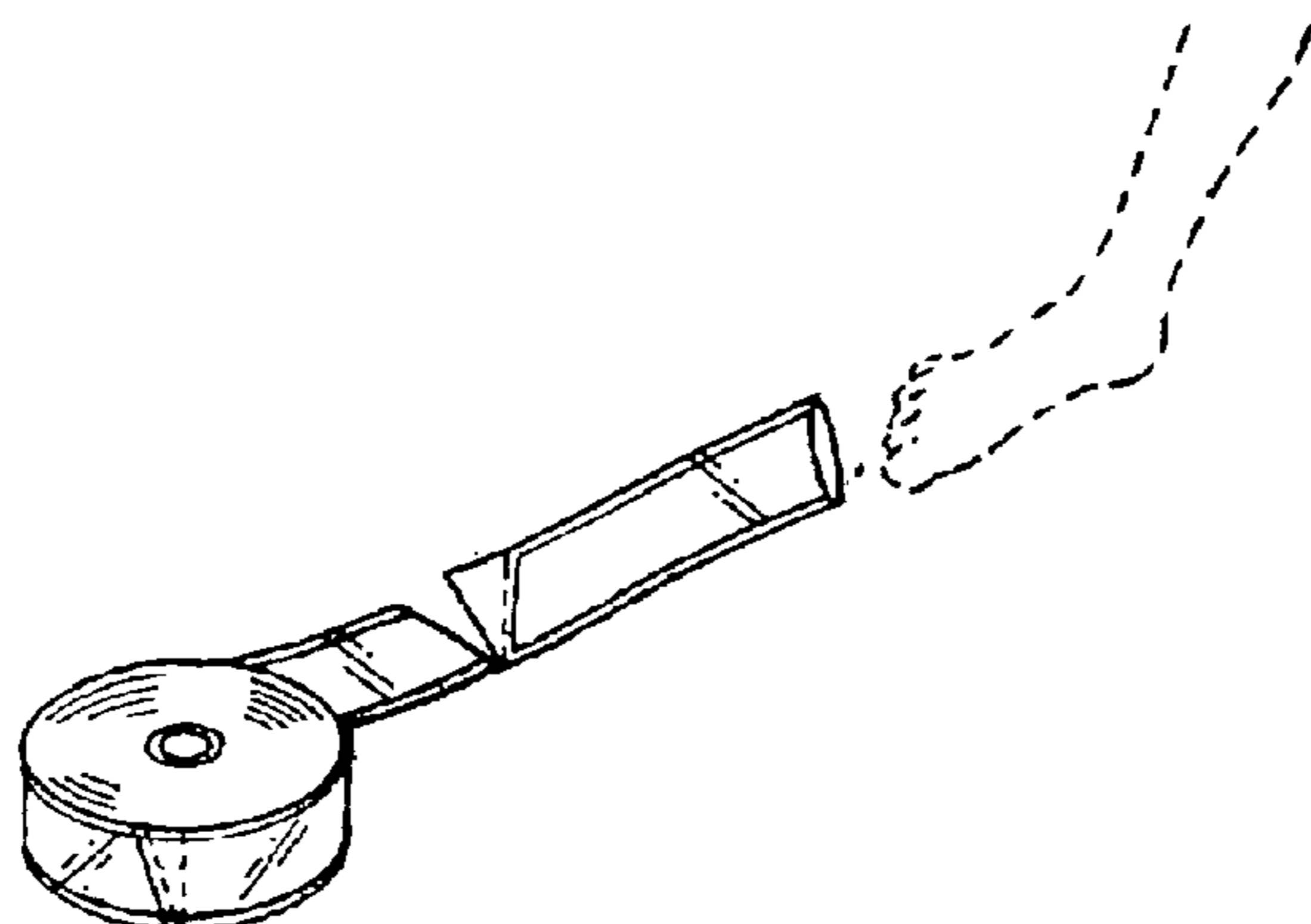
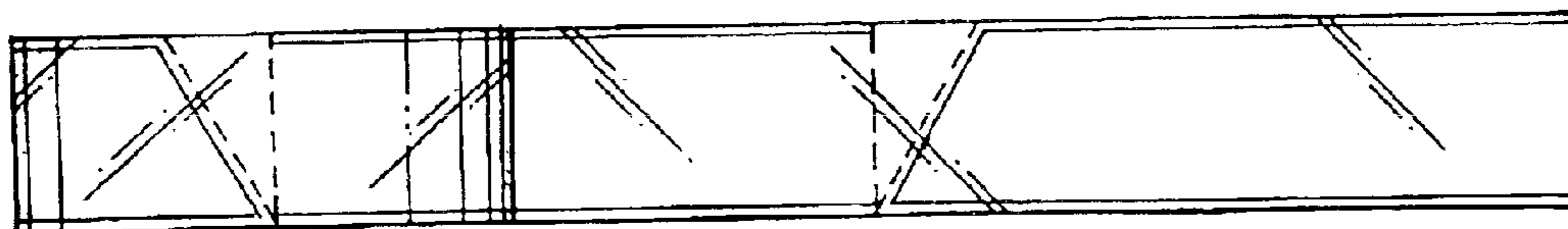
FIG. 7 is a reduced perspective view showing the roll of tear-off sanitary booties for eliminating shoe transfer of foot disease in use; the broken lines depict environmental structure for illustrative purposes only and form no part of the claimed design.

(56) **References Cited**

**U.S. PATENT DOCUMENTS**

408,858 A \* 8/1889 Seymour ..... 383/117  
3,283,422 A \* 11/1966 Nygard ..... 36/1  
3,634,954 A 1/1972 Larsen et al.  
3,737,723 A \* 6/1973 Kanor ..... 361/223  
3,749,237 A \* 7/1973 Dorton ..... 206/438  
3,846,919 A 11/1974 Milotic  
4,171,048 A \* 10/1979 Ernst ..... 206/390  
4,238,541 A \* 12/1980 Burton ..... 428/43  
D269,477 S 6/1983 Brier  
4,825,564 A 5/1989 Sorce

**1 Claim, 3 Drawing Sheets**



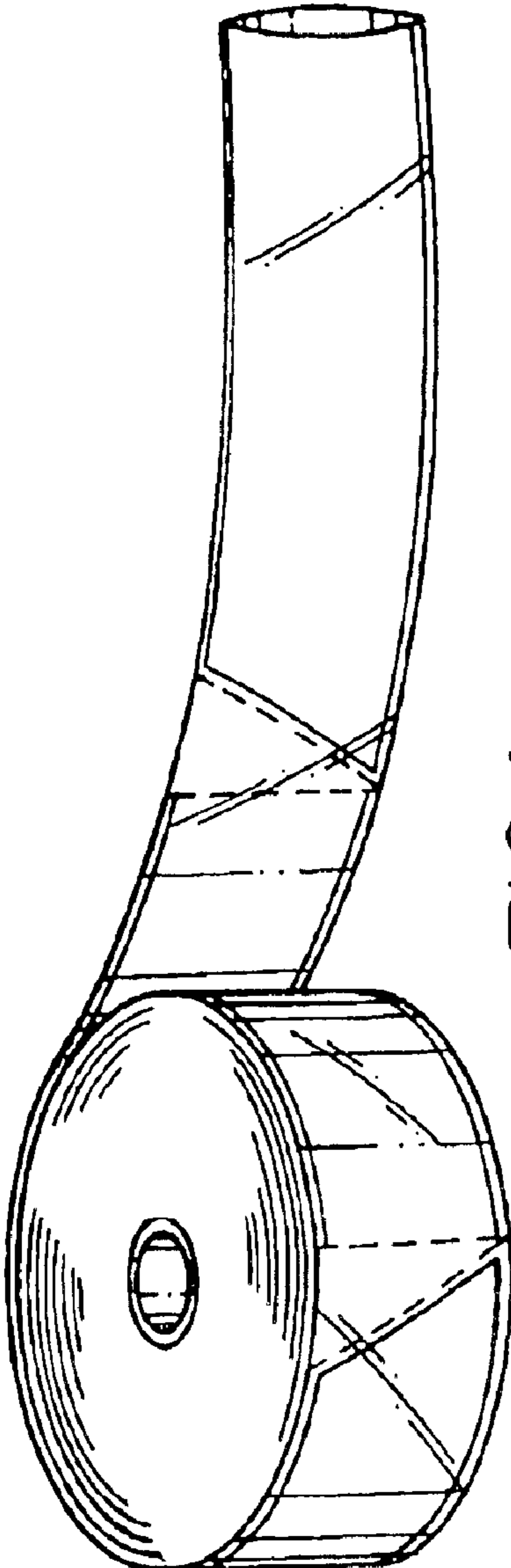


FIG. 1.

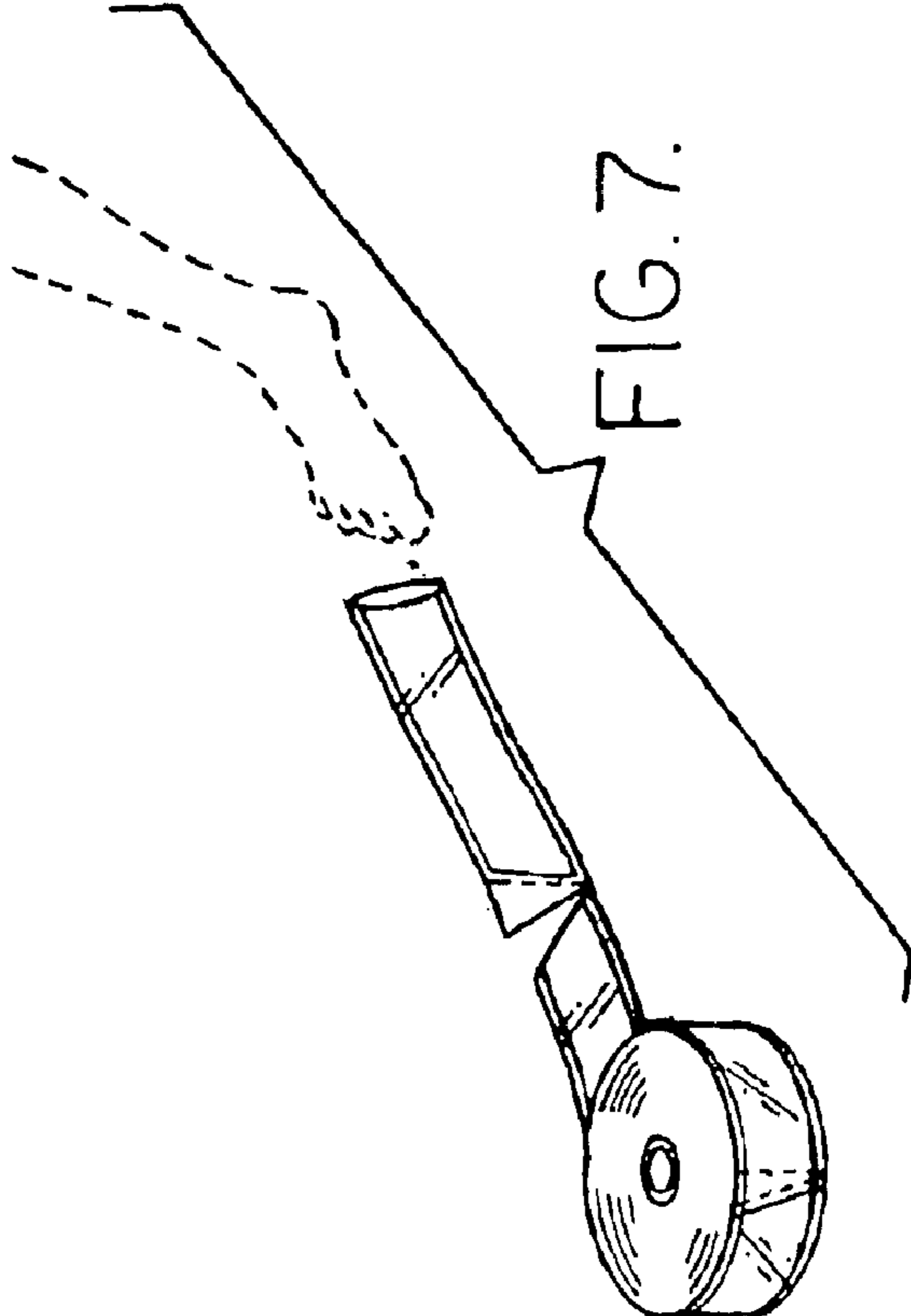


FIG. 7.

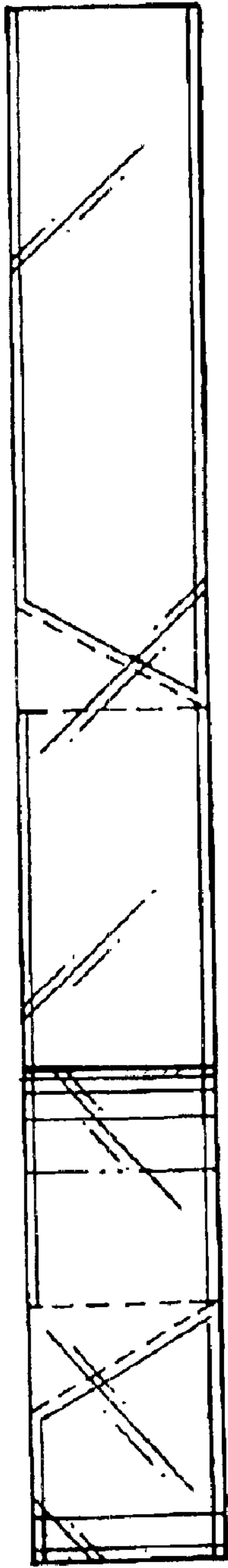


FIG. 2.

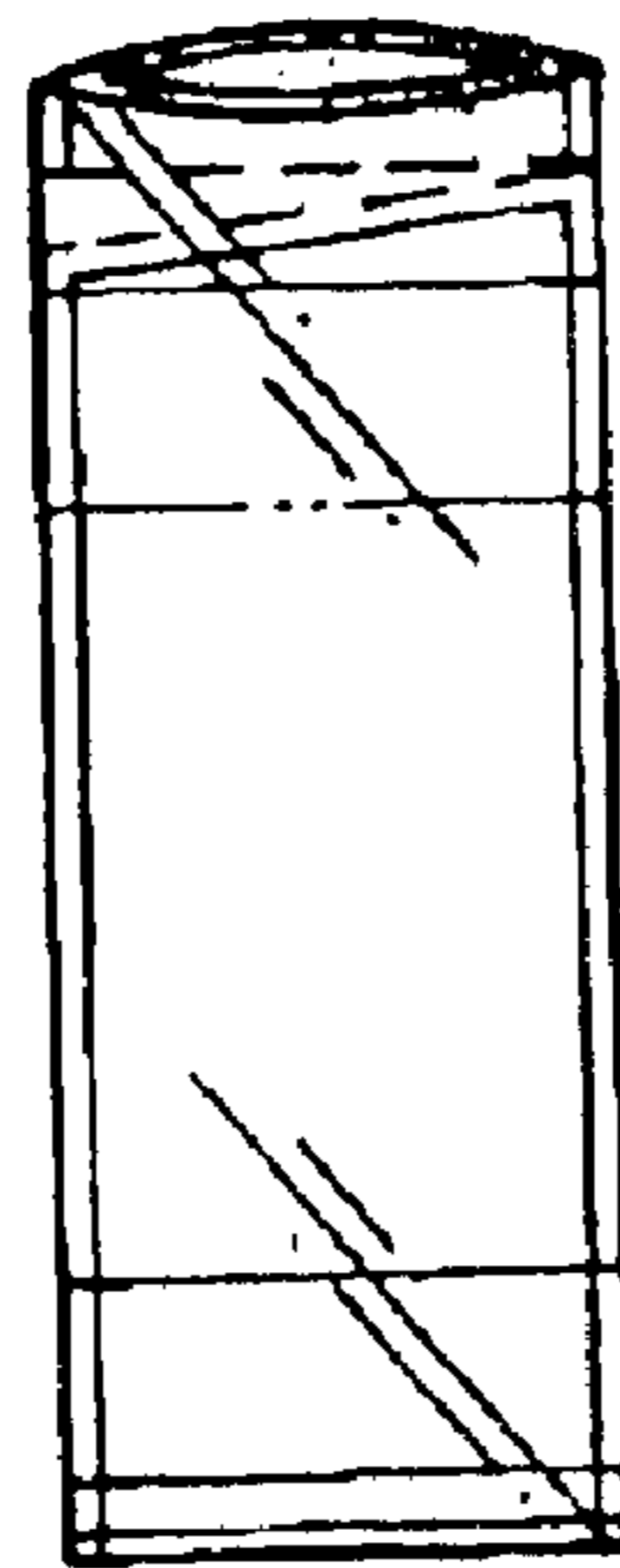


FIG. 4.

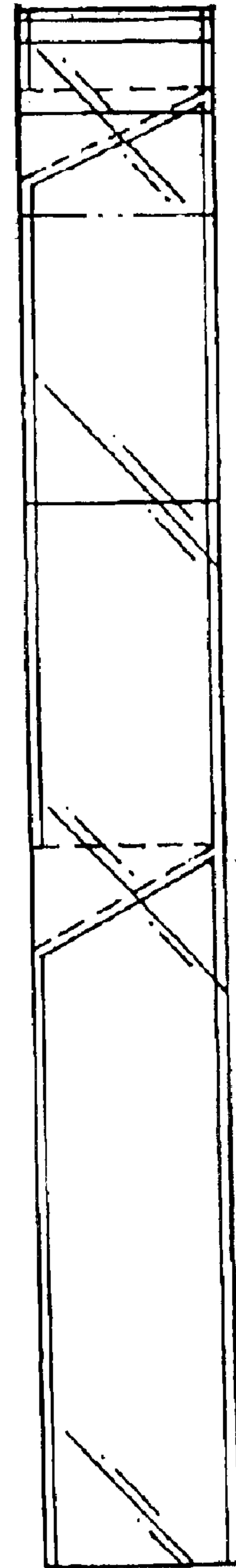


FIG. 3.

FIG. 5.

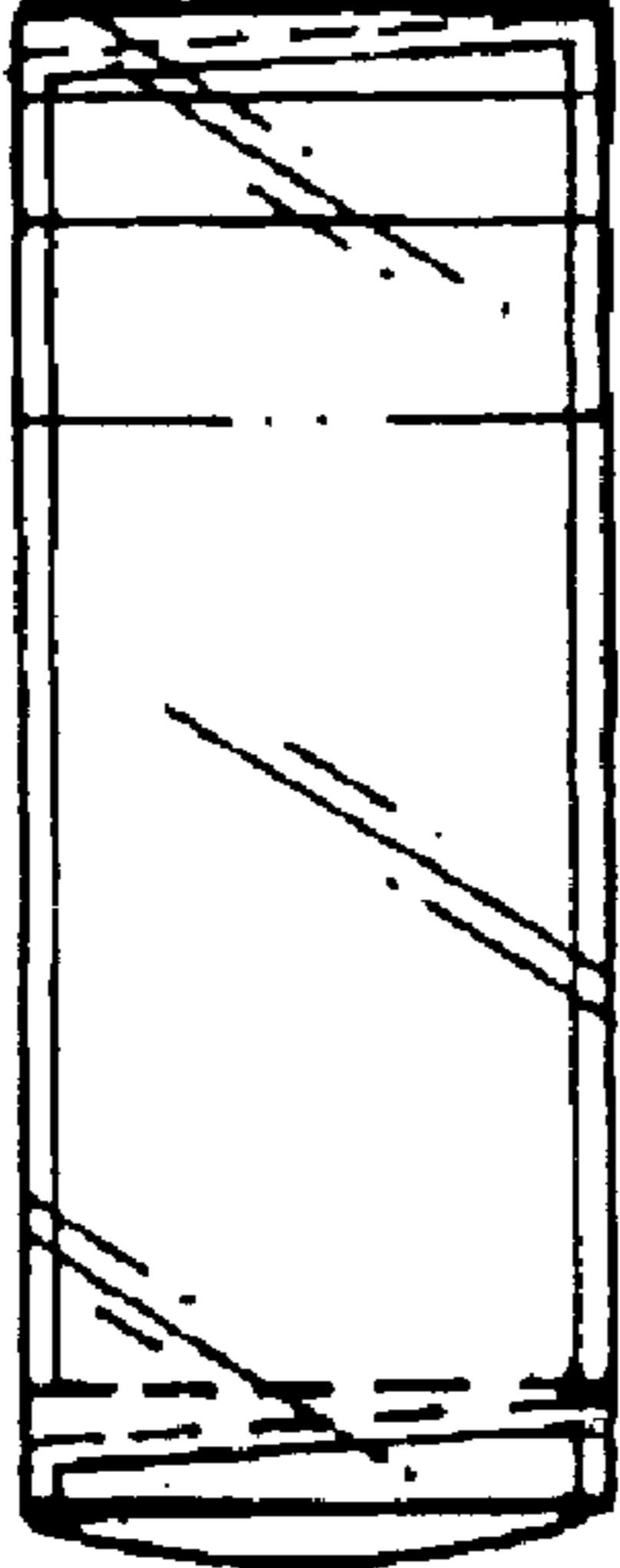


FIG. 6.

