

US00D506591S

(12) **United States Design Patent**
Lee

(10) **Patent No.: US D506,591 S**
(45) **Date of Patent: ** Jun. 28, 2005**

(54) **CHOCOLATE CHUNK**
(75) Inventor: **Richard Keng Chian Lee**, Singapore (SG)
(73) Assignee: **Aalst Chocolate Pte Ltd.**, High Street Centre (SG)
(**) Term: **14 Years**

6,099,880 A 8/2000 Klacik et al.
6,112,635 A * 9/2000 Cohen 89/36.02
6,413,564 B1 7/2002 Klacik et al.
D473,033 S 4/2003 Welles et al.
D478,706 S 8/2003 Cotten
D480,201 S 10/2003 Cotten
D495,116 S 8/2004 Trocme

(21) Appl. No.: **29/200,847**
(22) Filed: **Mar. 3, 2004**

FOREIGN PATENT DOCUMENTS

CA 105923 2/2004
NZ 404565 3/2004

(30) **Foreign Application Priority Data**

Jan. 20, 2004 (SG) D2004/125/H

OTHER PUBLICATIONS

Search Report 404565, Mar. 24, 2004, New Zealand.

(51) **LOC (8) Cl.** **01-01**
(52) **U.S. Cl.** **D1/127; D1/100; 426/104**
(58) **Field of Search** D1/100-101, 121, D1/127-129, 199; D21/386, 484, 503; D24/100, 101; D25/113; 426/249, 104, 512, 660

* cited by examiner

Primary Examiner—Pamela Burgess
(74) *Attorney, Agent, or Firm*—Intellectual Property Law Group LLP; Otto O. Lee; Juneko Jackson

(56) **References Cited**

(57) **CLAIM**

The ornamental design for a chocolate chunk, as shown and described.

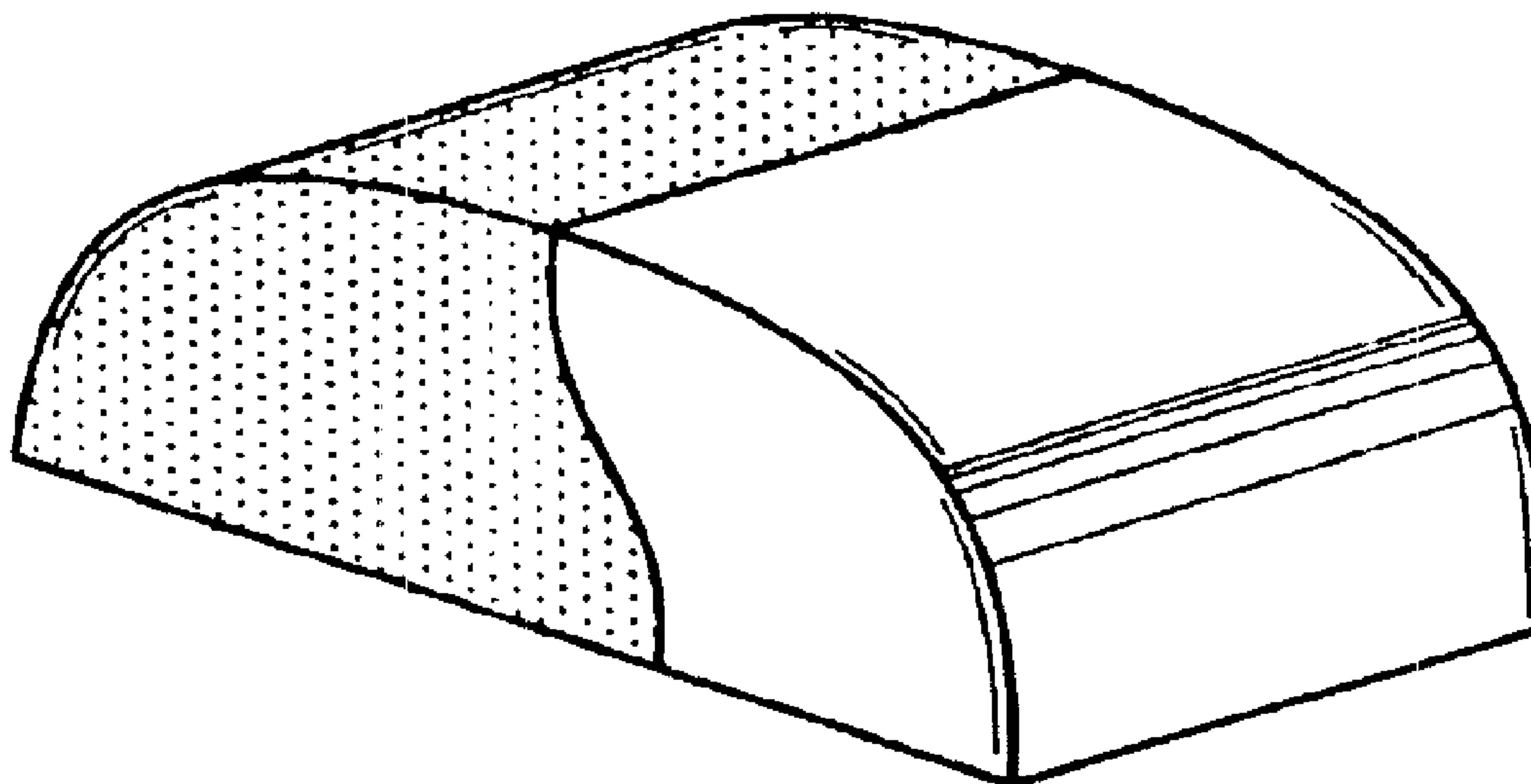
U.S. PATENT DOCUMENTS

DESCRIPTION

D68,619 S * 11/1925 Epstein D1/127
D297,480 S 9/1988 Hebel
D310,440 S 9/1990 Puglisi et al.
D314,855 S 2/1991 Puglisi et al.
D415,601 S 10/1999 Sherman et al.
D416,372 S 11/1999 Sherman et al.
D416,661 S 11/1999 Sherman et al.
D417,766 S * 12/1999 Sherman et al. D1/127
D421,673 S 3/2000 Sherman et al.
D423,185 S 4/2000 Sherman et al.
D426,369 S 6/2000 Tsuruta
D427,415 S 7/2000 Dolphin

FIG. 1 is a perspective view of the chocolate chunk embodying my design;
FIG. 2 is a top plan view thereof;
FIG. 3 is a bottom plan view thereof;
FIG. 4 is a left side elevational view thereof;
FIG. 5 is a right side elevational view thereof;
FIG. 6 is a front elevational view of FIG. 1; and,
FIG. 7 is a rear elevational view thereof.

1 Claim, 4 Drawing Sheets



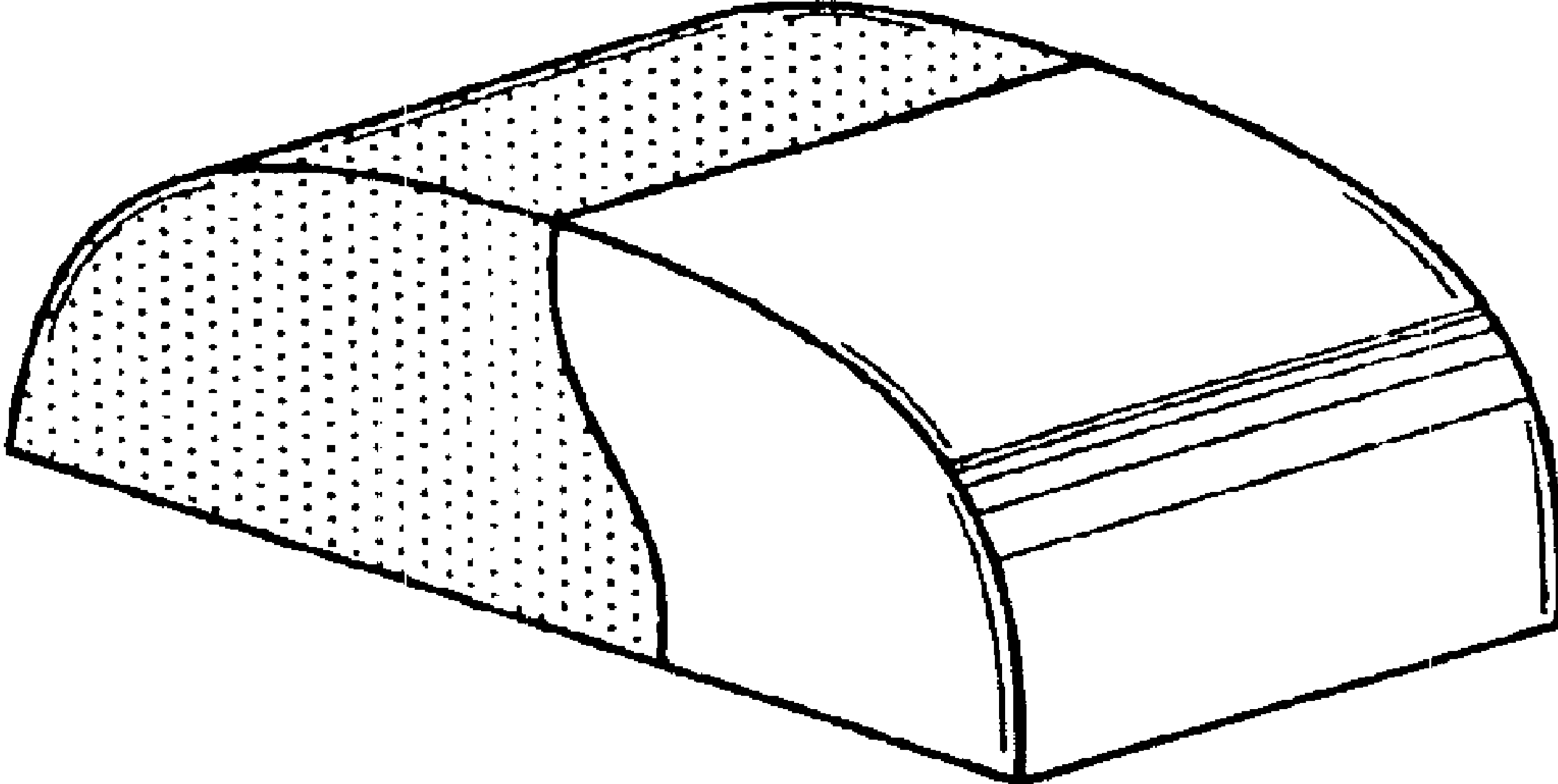


FIG. 1

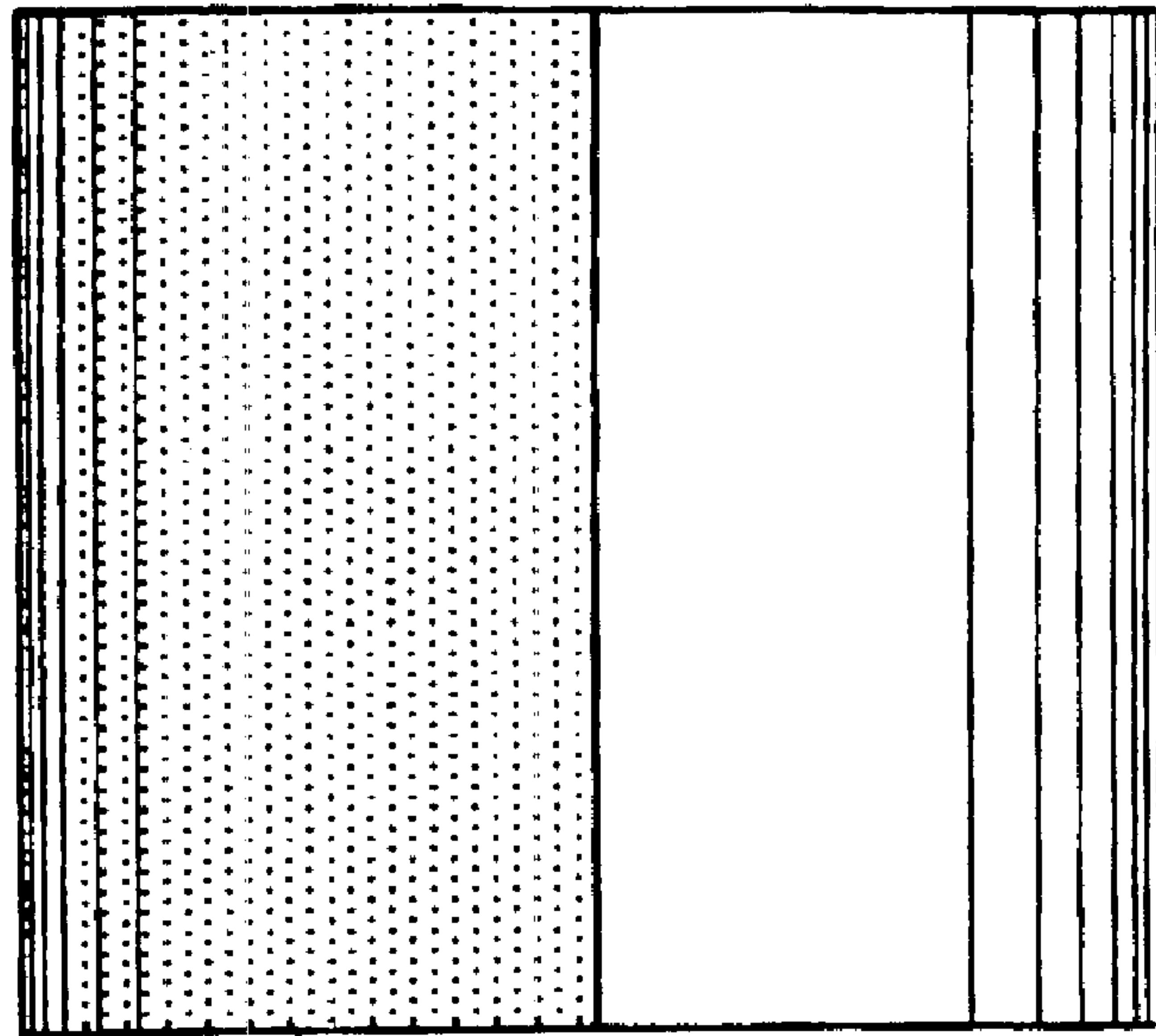


FIG. 2

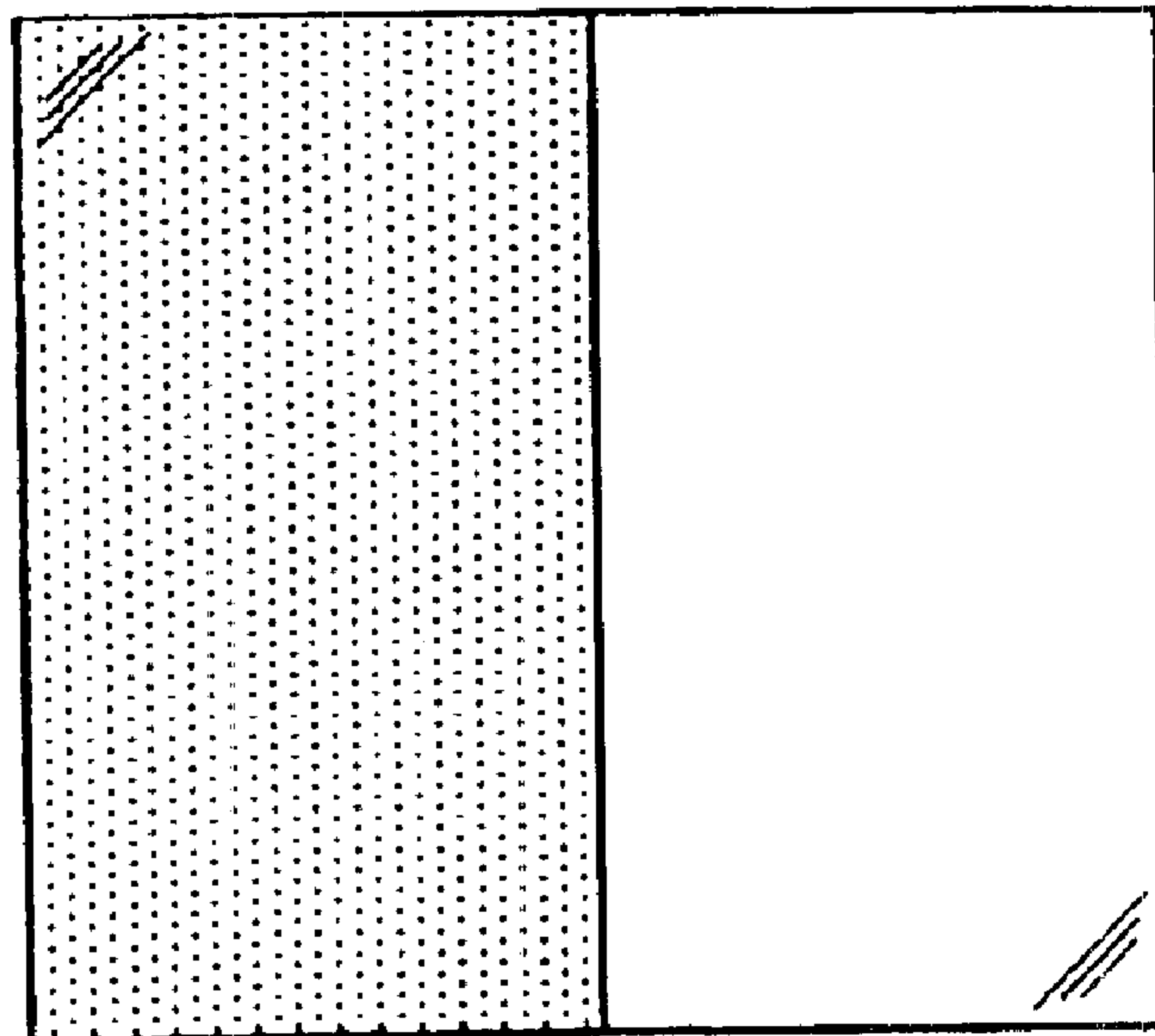


FIG. 3

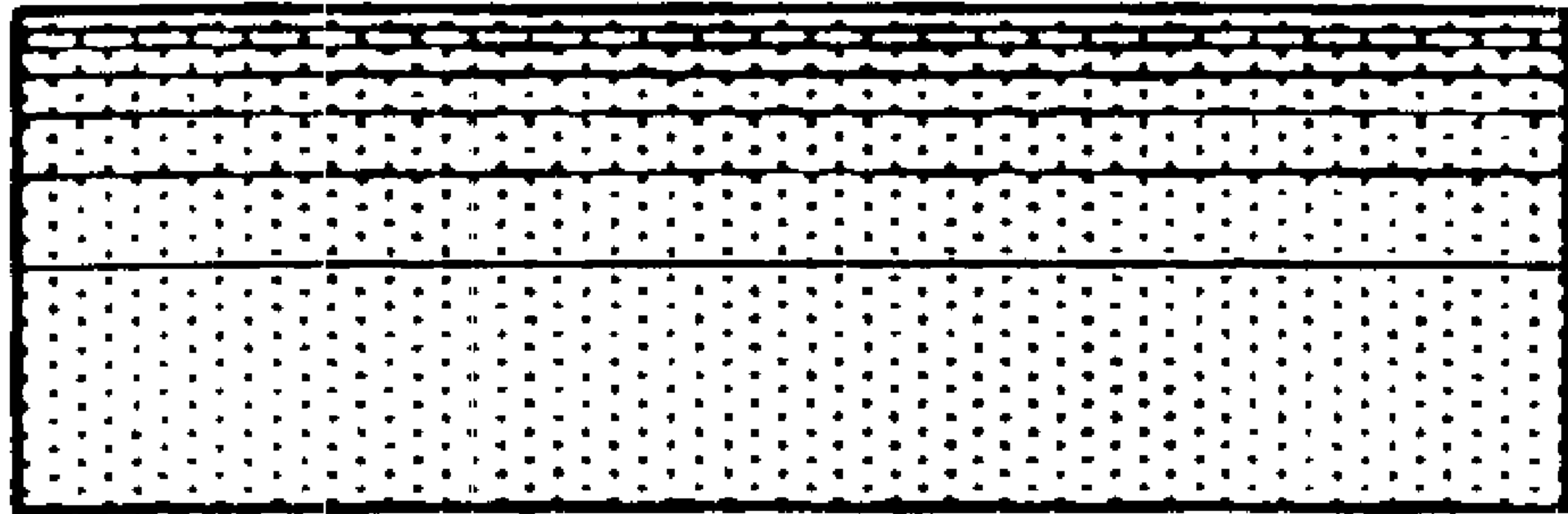


FIG. 4

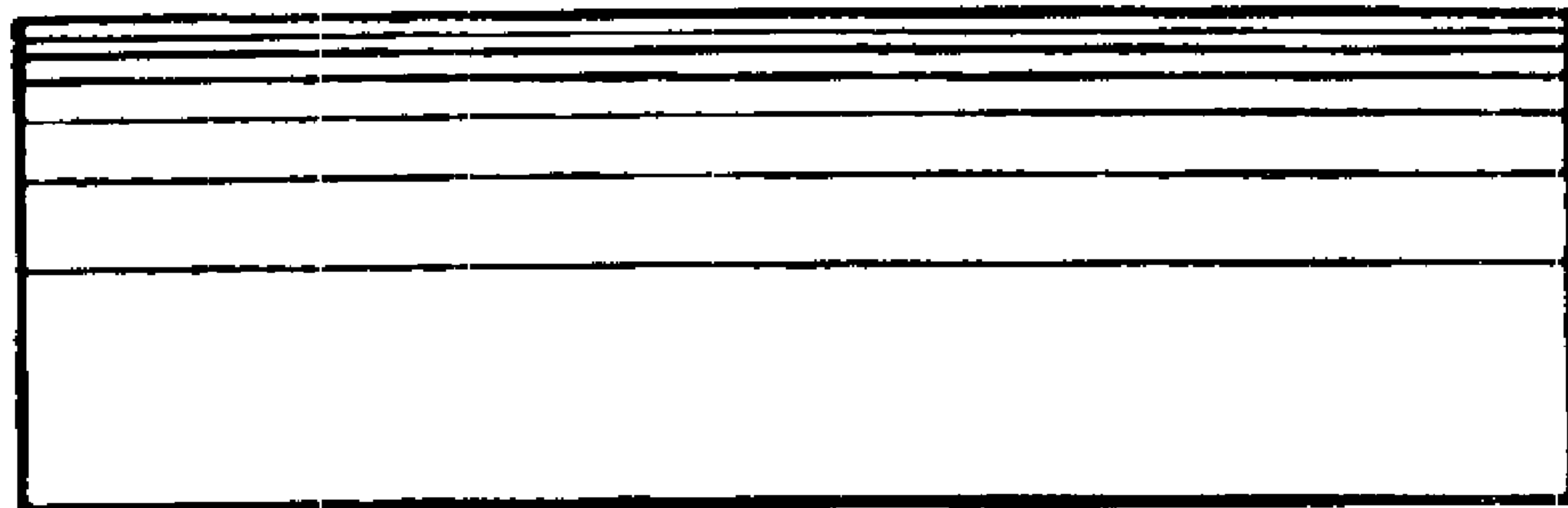


FIG. 5

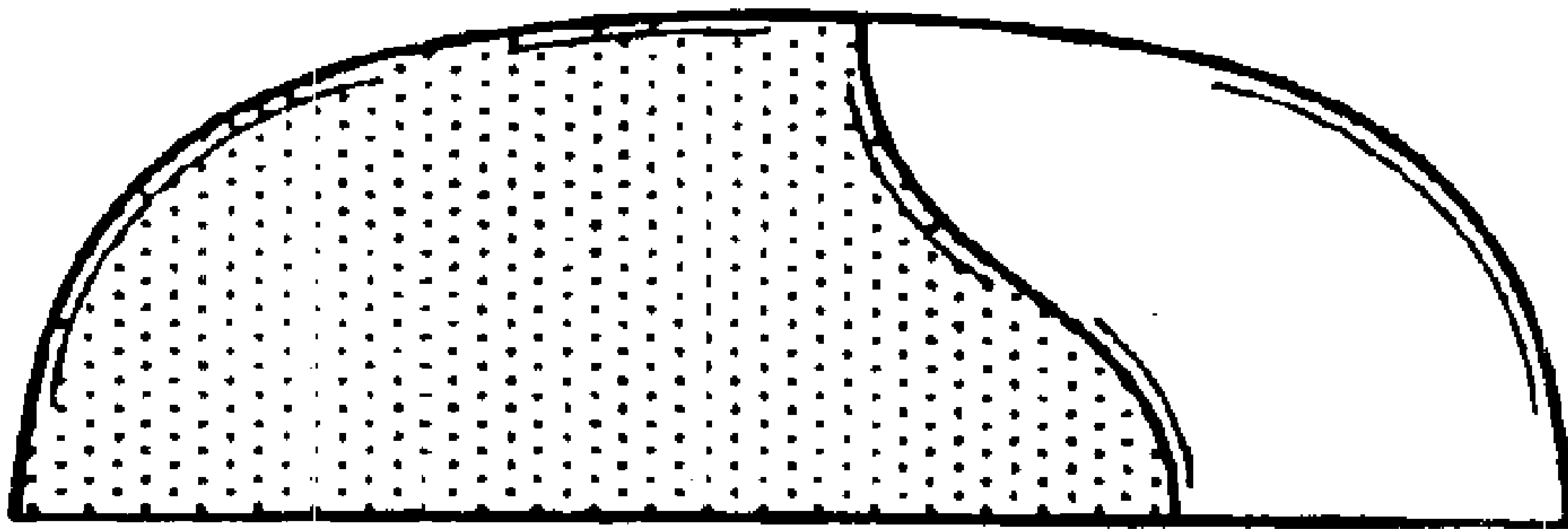


FIG. 6

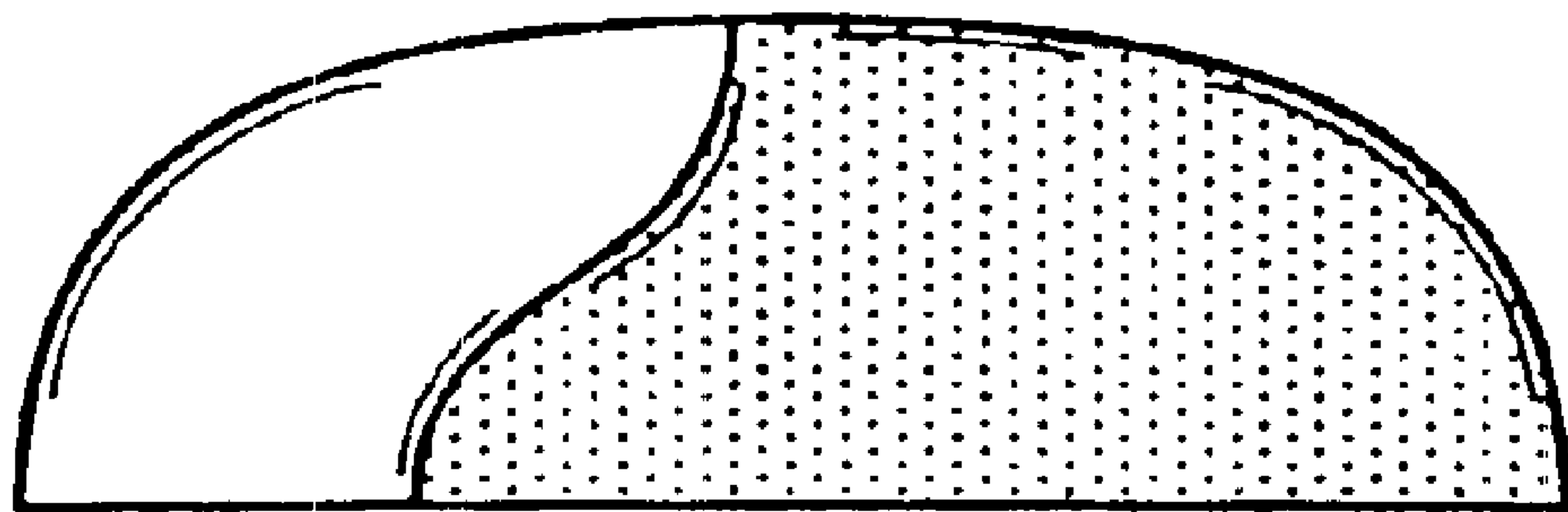


FIG. 7