

US00D506588S

(12) **United States Design Patent**
Babkes et al.

(10) **Patent No.:** **US D506,588 S**
(45) **Date of Patent:** **** Jun. 21, 2005**

- (54) **TRAY FOR A DOLLY**
- (75) Inventors: **Mitchell H. Babkes**, Saugus, CA (US);
Dean Tornabene, Marina Del Rey, CA (US)
- (73) Assignee: **Sylmark Holdings Limited**, Dublin (IR)
- (**) Term: **14 Years**
- (21) Appl. No.: **29/187,194**
- (22) Filed: **Jul. 28, 2003**
- (51) **LOC (8) Cl.** **12-02**
- (52) **U.S. Cl.** **D34/27; D34/14**
- (58) **Field of Search** **D34/12-27; 280/30, 280/40, 47.18, 47.24, 47.26, 47.29; 108/44; 182/20, 33.3, 33.4; 297/129; D12/302, 420; D7/601, 602, 550.1**

- 4,798,304 A 1/1989 Rader
- 4,824,167 A 4/1989 King
- 4,846,486 A 7/1989 Hobson
- 4,887,837 A 12/1989 Bonewicz, Jr. et al.
- 4,953,716 A 9/1990 Rapoport
- 5,064,020 A 11/1991 Eagleson
- 5,161,811 A 11/1992 Cheng
- 5,297,809 A * 3/1994 Chen 280/32.6
- 5,306,027 A 4/1994 Cheng
- 5,348,263 A 9/1994 Hubbard
- 5,382,032 A 1/1995 Wilson
- 5,427,393 A 6/1995 Kriebel
- D367,347 S 2/1996 Moudrianakis
- D367,387 S 2/1996 Sweere
- 5,507,508 A 4/1996 Liang
- 5,562,299 A 10/1996 Morrisette
- 5,669,659 A 9/1997 Dittmer
- D396,918 S 8/1998 Golichowski et al.
- D401,730 S 11/1998 Liao
- D406,683 S 3/1999 Taylor et al.
- D424,893 S 5/2000 Goslin et al.
- 6,158,749 A 12/2000 Roudebush
- 6,173,811 B1 1/2001 Tornabene et al.
- 6,196,560 B1 3/2001 Ohlsson
- 6,308,967 B1 10/2001 Stallbaumer et al.
- 6,328,319 B1 12/2001 Stahler, Sr.

(56) **References Cited**

U.S. PATENT DOCUMENTS

- 118,096 A 8/1871 Bergmann
- 432,869 A 7/1890 Fry
- 867,754 A 10/1907 Randall
- 1,116,779 A 11/1914 Witt
- 1,221,579 A 4/1917 Olds
- 1,601,250 A 9/1926 Hilderbrand
- 2,509,060 A 5/1950 Hoder
- 2,542,037 A 2/1951 Lantz
- 3,104,889 A 9/1963 Branch
- 3,785,669 A 1/1974 Doheny
- 3,954,155 A 5/1976 Guidara
- 4,106,590 A 8/1978 Tarran
- 4,226,192 A 10/1980 Myers
- 4,235,449 A 11/1980 Tarran
- 4,258,827 A 3/1981 Klose
- D263,820 S 4/1982 Levenberg
- 4,341,393 A 7/1982 Gordon et al.
- 4,456,094 A 6/1984 Brander
- 4,494,626 A 1/1985 Ast
- 4,635,956 A 1/1987 Morrisette
- 4,644,594 A 2/1987 Johnson
- D295,099 S 4/1988 Gallagher et al.

(Continued)

Primary Examiner—Kay H. Chin
(74) *Attorney, Agent, or Firm*—Kathy Mojibi Kavcioglu

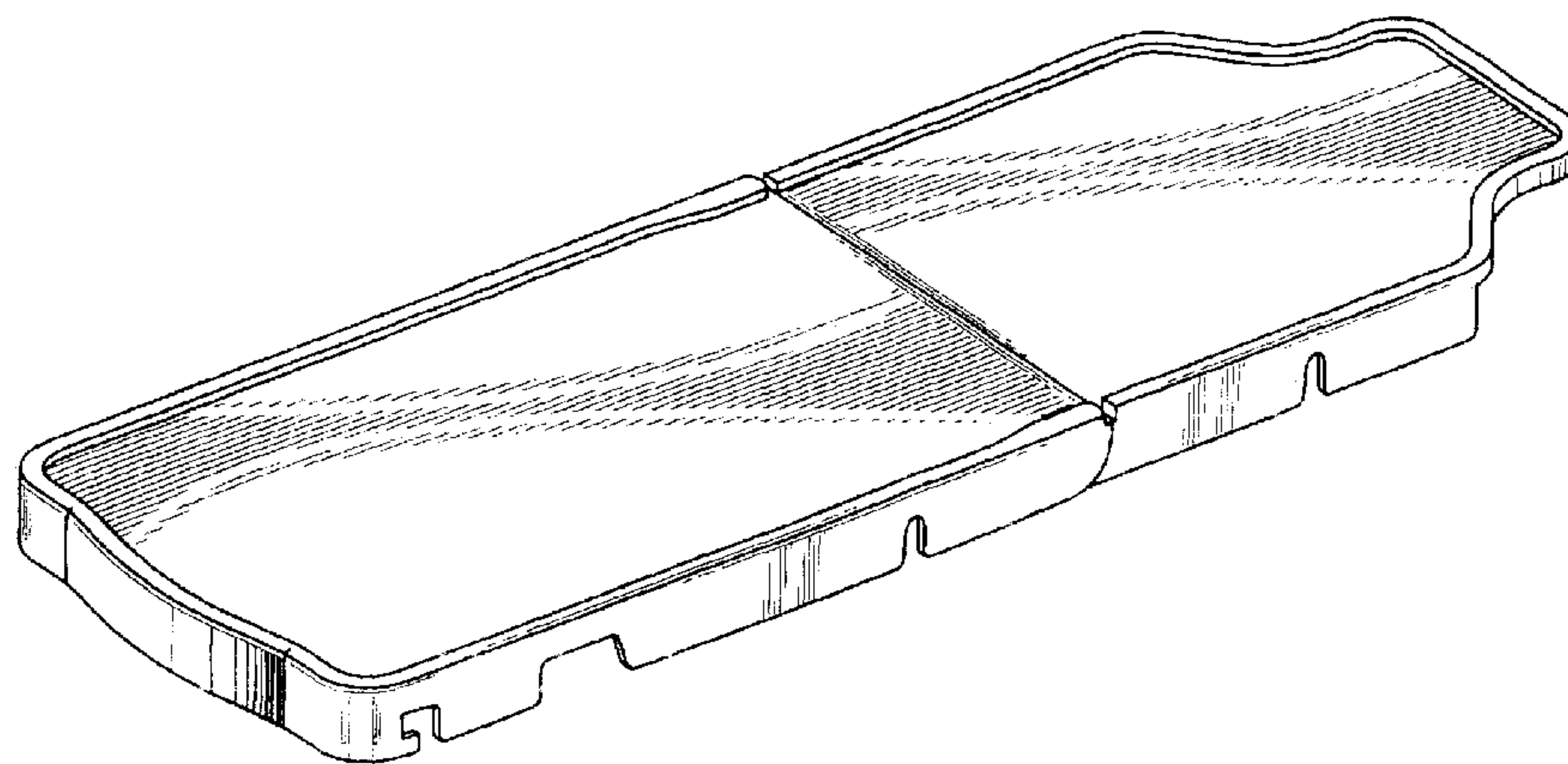
(57) **CLAIM**

The ornamental device for a tray for a dolly, as shown and described.

DESCRIPTION

FIG. 1 is a perspective view of a tray for a dolly showing our new design;
FIG. 2 is a right side view thereof;
FIG. 3 is a front view thereof;
FIG. 4 is a back view thereof;
FIG. 5 is a left side view thereof;
FIG. 6 is a top view thereof; and,
FIG. 7 is a bottom view thereof.

1 Claim, 4 Drawing Sheets



US D506,588 S

Page 2

U.S. PATENT DOCUMENTS

6,328,330 B1 12/2001 Haaser
6,390,495 B1 5/2002 Cates
6,505,707 B1 1/2003 Berry
6,527,243 B1 3/2003 Kume, Jr.

2001/0045718 A1 11/2001 Boirum
2001/0054806 A1 12/2001 Calender
2002/0153682 A1 10/2002 Gruber

* cited by examiner

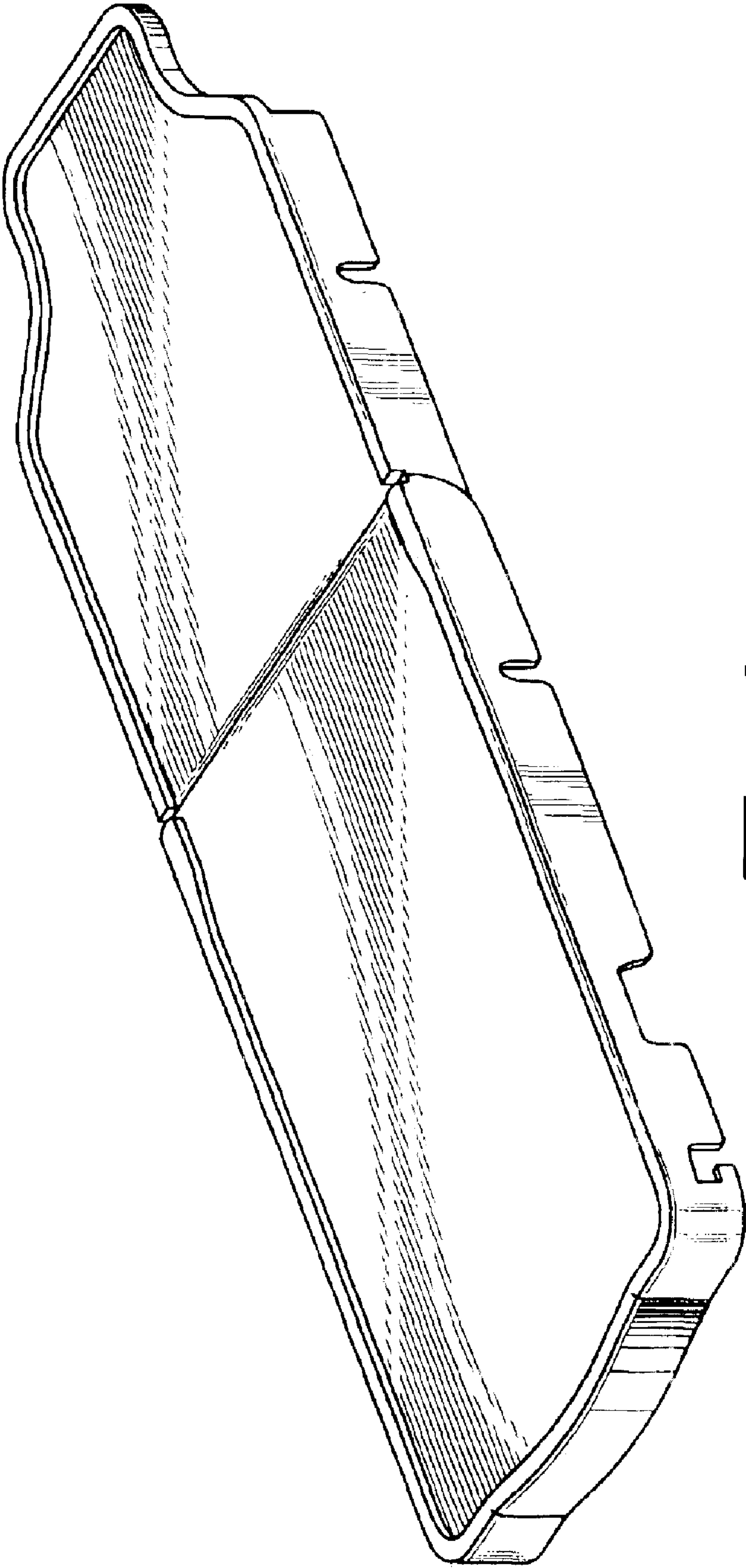


Fig. 1



Fig. 2



Fig. 3



Fig. 4



Fig. 5

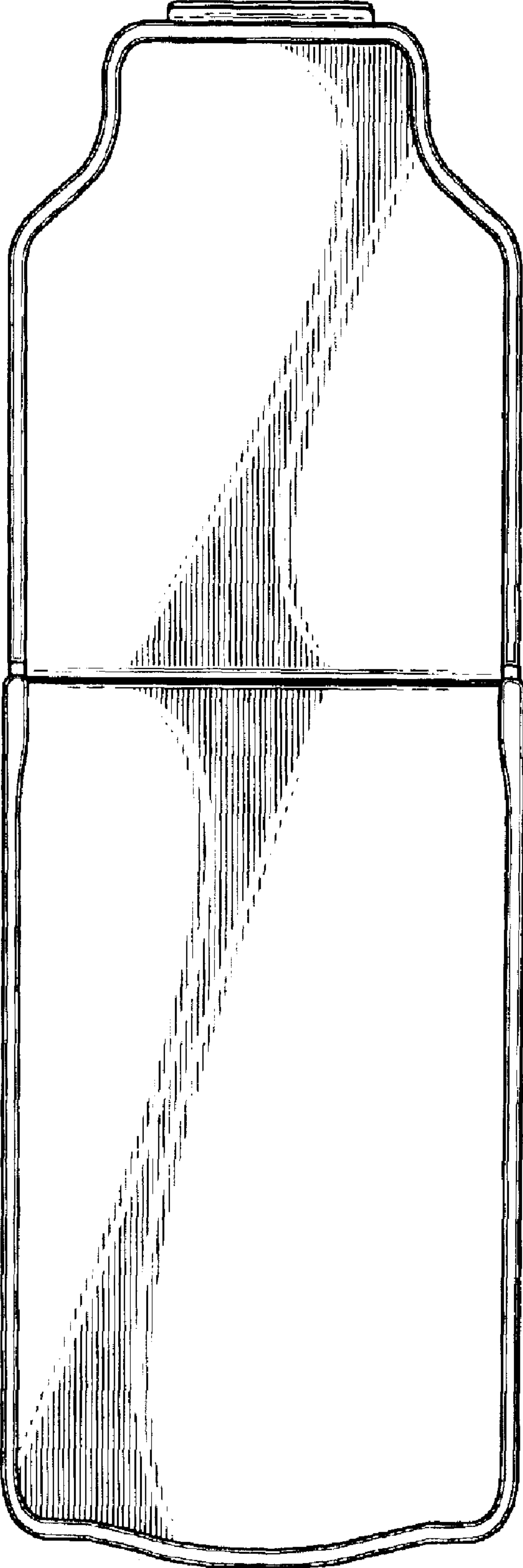


Fig. 6

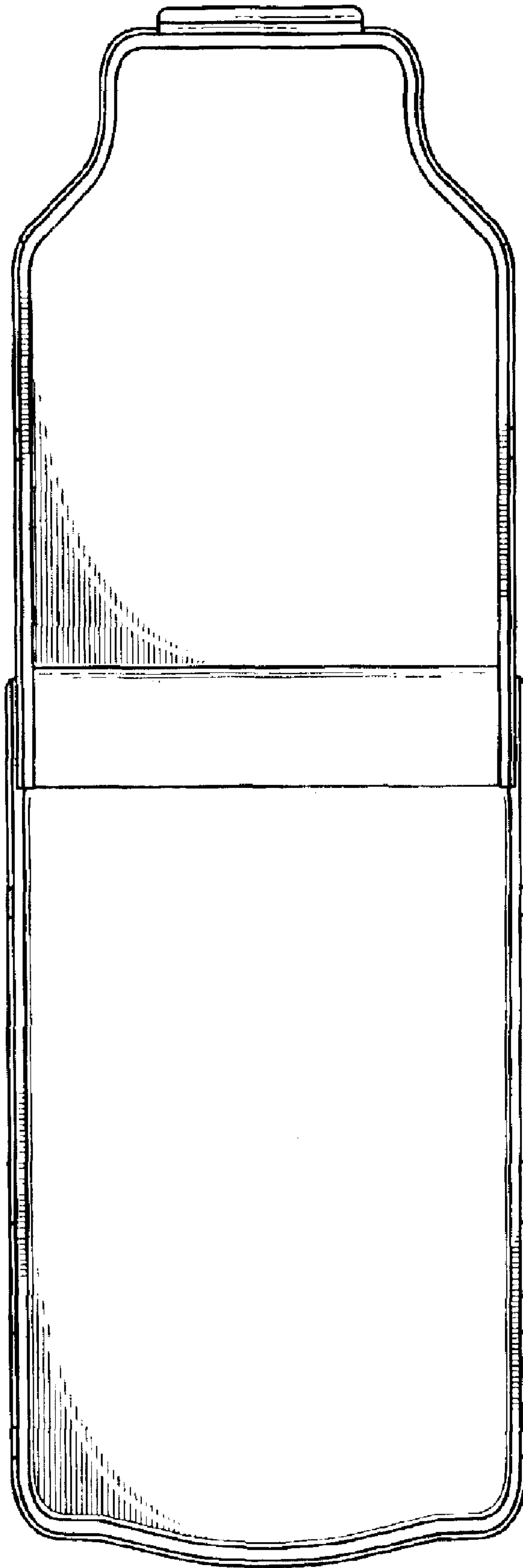


Fig. 7