

US00D506584S

(12) **United States Design Patent**  
**Whittaker**

(10) **Patent No.: US D506,584 S**  
(45) **Date of Patent: \*\* Jun. 21, 2005**

(54) **TANK FOR FLOOR OR CARPET CLEANING MACHINE**

(75) Inventor: **Richard E. Whittaker**, New Castle, PA (US)

(73) Assignee: **R.E. Whittaker Company**, New Castle, PA (US)

(\*\*) Term: **14 Years**

(21) Appl. No.: **29/187,776**

(22) Filed: **Aug. 7, 2003**

(51) **LOC (8) Cl.** ..... **15-05**

(52) **U.S. Cl.** ..... **D32/25**

(58) **Field of Search** ..... D32/1, 15, 17-22, D32/25, 31; 239/146-147, 149, 155, 156-158, 548-549; 15/3.14, 346, 3.12, 302, 320

(56) **References Cited**

**U.S. PATENT DOCUMENTS**

- D219,348 S \* 12/1970 Anderson ..... D32/15
- D425,268 S \* 5/2000 Morokutti ..... D32/20
- 6,379,082 B1 \* 4/2002 Takemoto ..... 239/147
- 6,725,500 B2 \* 4/2004 Allen et al. .... 15/346

\* cited by examiner

*Primary Examiner*—Robert A. Delehanty

(74) *Attorney, Agent, or Firm*—Christine W. Trebilcock, Esq.; Cohen & Grigsby, P.C.

(57) **CLAIM**

An ornamental design for a tank for floor or carpet cleaning machine, substantially as shown in the drawings.

**DESCRIPTION**

The present invention relates to a tank for floor or carpet cleaning machine.

FIG. 1 is a perspective view of the front of the tank for floor or carpet cleaning machine showing my new design.

FIG. 2 is a perspective view of a front, side of the tank for floor or carpet cleaning machine showing my new design.

FIG. 3 is a perspective view of the bottom of the tank for floor or carpet cleaning machine showing my new design.

FIG. 4 is a perspective view of the top of the tank for floor or carpet cleaning machine showing my new design.

FIG. 5 is a perspective view of the top with the lid off of the tank for floor or carpet cleaning machine showing my new design.

FIG. 6 is a perspective view of the front with the lid off of the tank for floor or carpet cleaning machine showing my new design.

FIG. 7 is a perspective view of a front side of the tank for floor or carpet cleaning machine showing my new design.

FIG. 8 is a perspective view of the back of the tank for floor or carpet cleaning machine showing my new design.

FIG. 9 is a perspective view of a back side of the tank for floor or carpet cleaning machine showing my new design.

FIG. 10 is an elevation view of the bottom side of the tank for floor or carpet cleaning machine showing my new design.

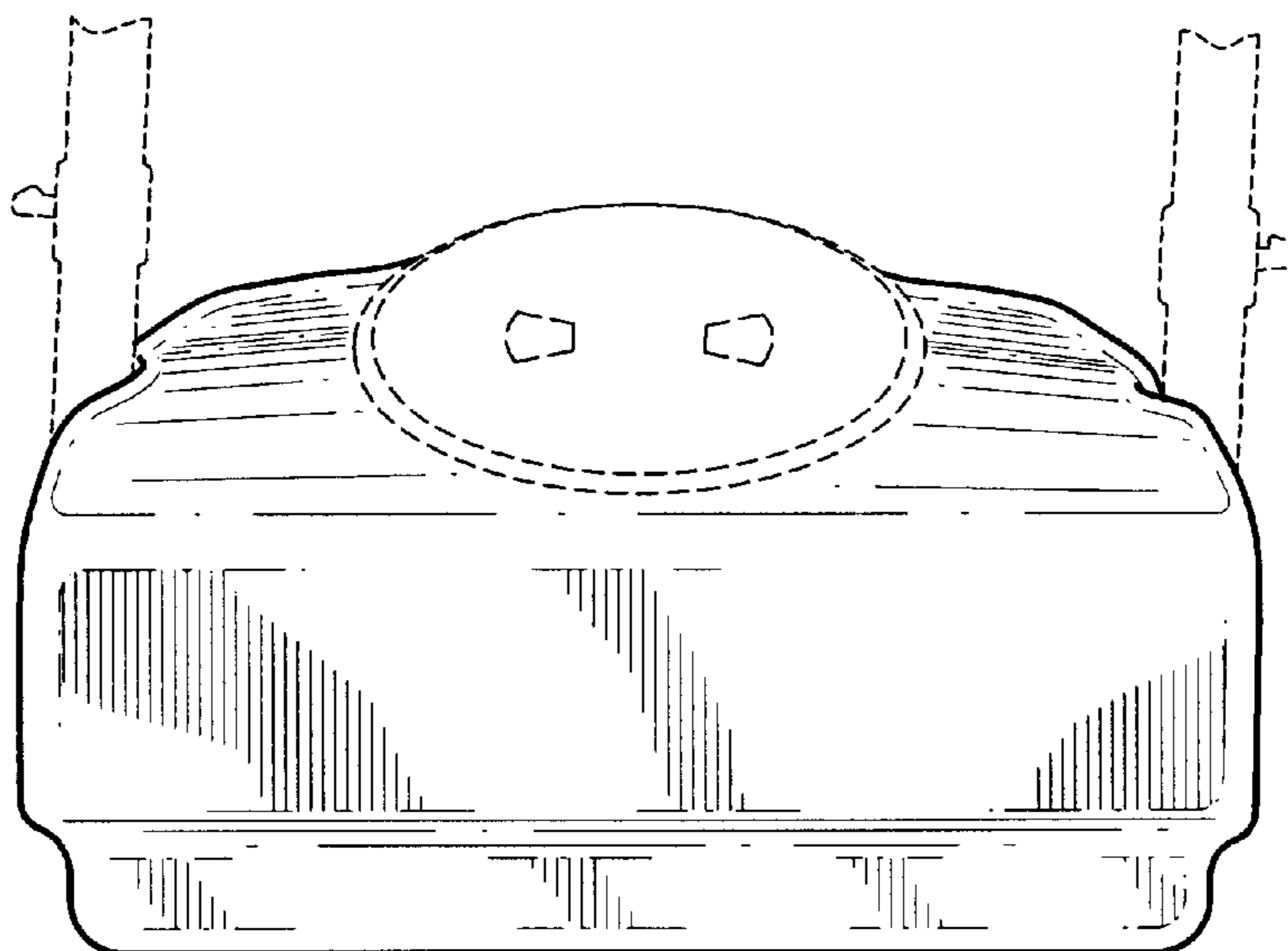
FIG. 11 is an elevation view of the top side of the tank for floor or carpet cleaning machine showing my new design.

FIG. 12 is a perspective view of a carpet cleaning machine using the tank for floor or carpet cleaning machine showing my new design; and,

FIG. 13 is a perspective view of the machine using the tank for floor or carpet cleaning machine showing my new design.

In FIGS. 1-9 and 12-13, the features shown in the dashed lines in the drawing figures are for illustrative purposes only and form no part of the claimed design of the particular embodiment shown in the subject drawing figures.

**1 Claim, 7 Drawing Sheets**



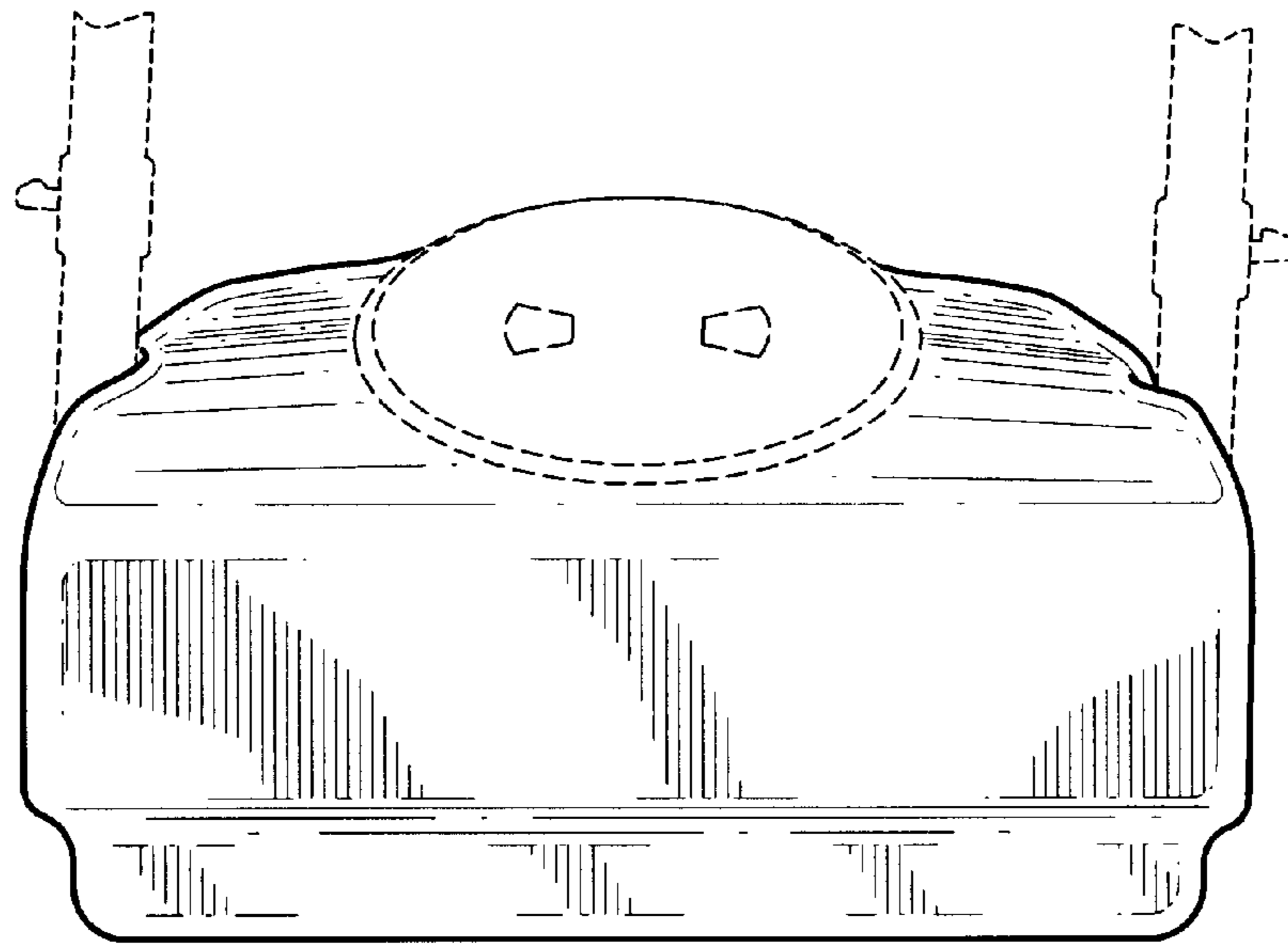


FIG. 1

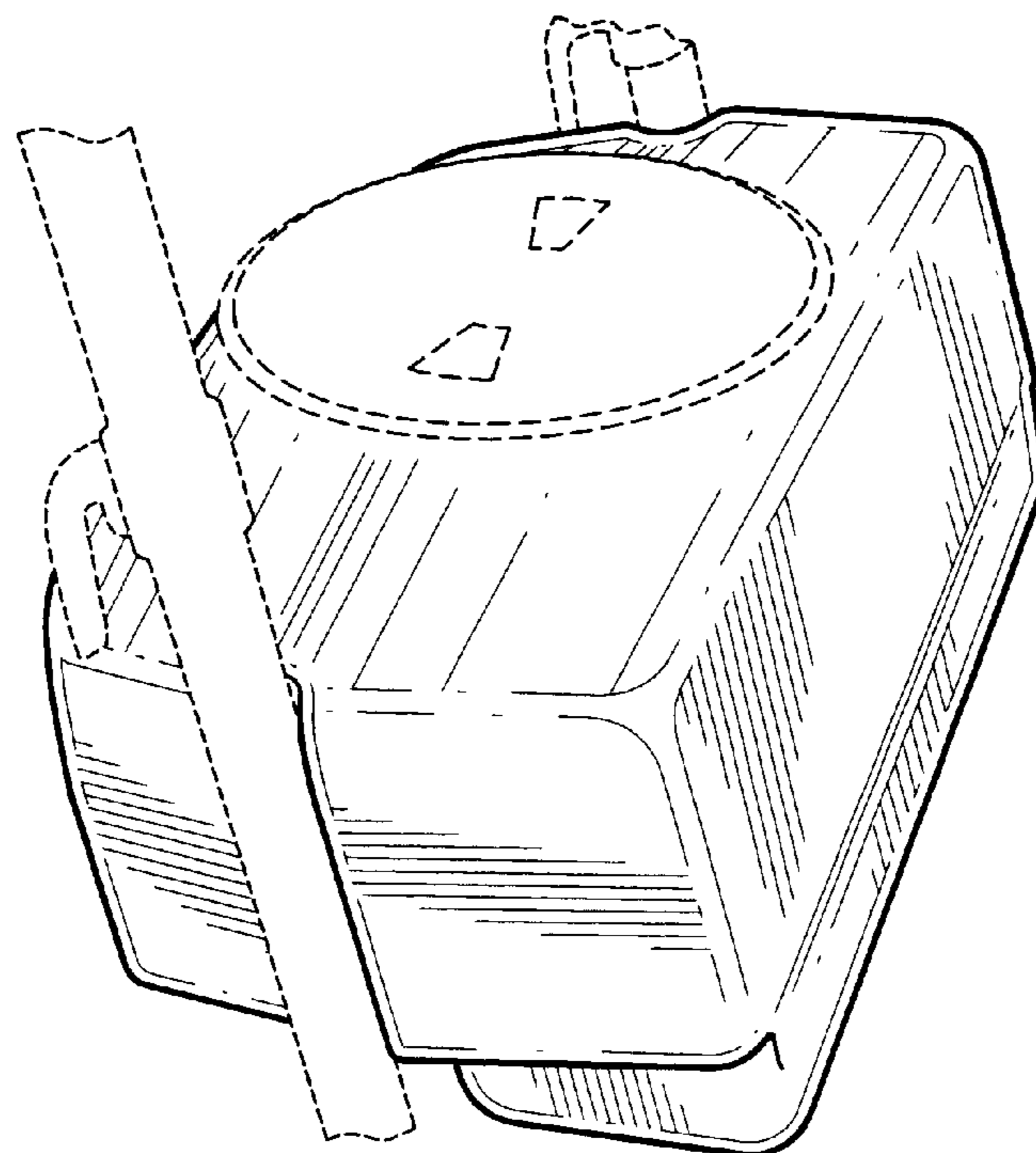


FIG. 2

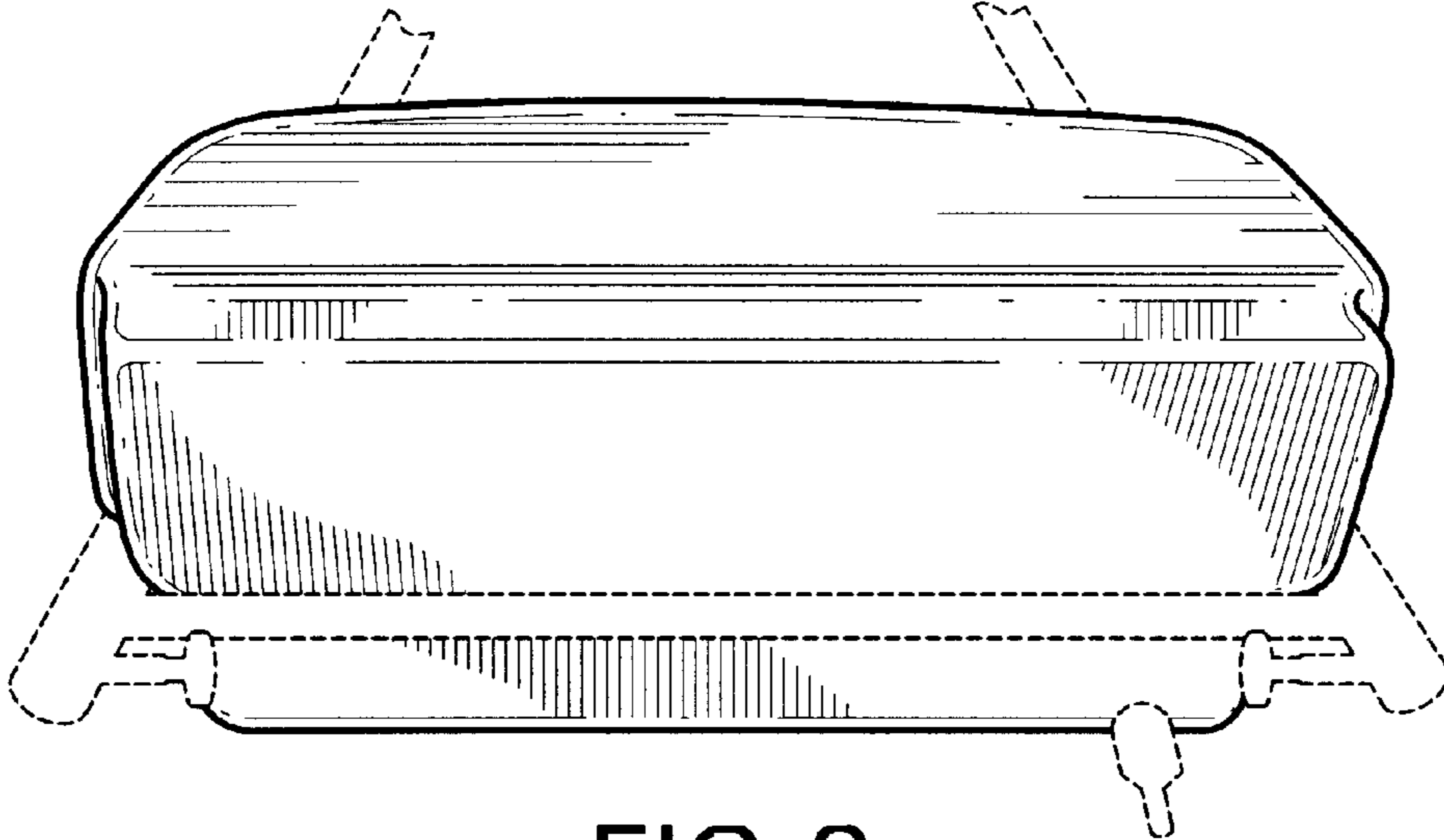


FIG. 3

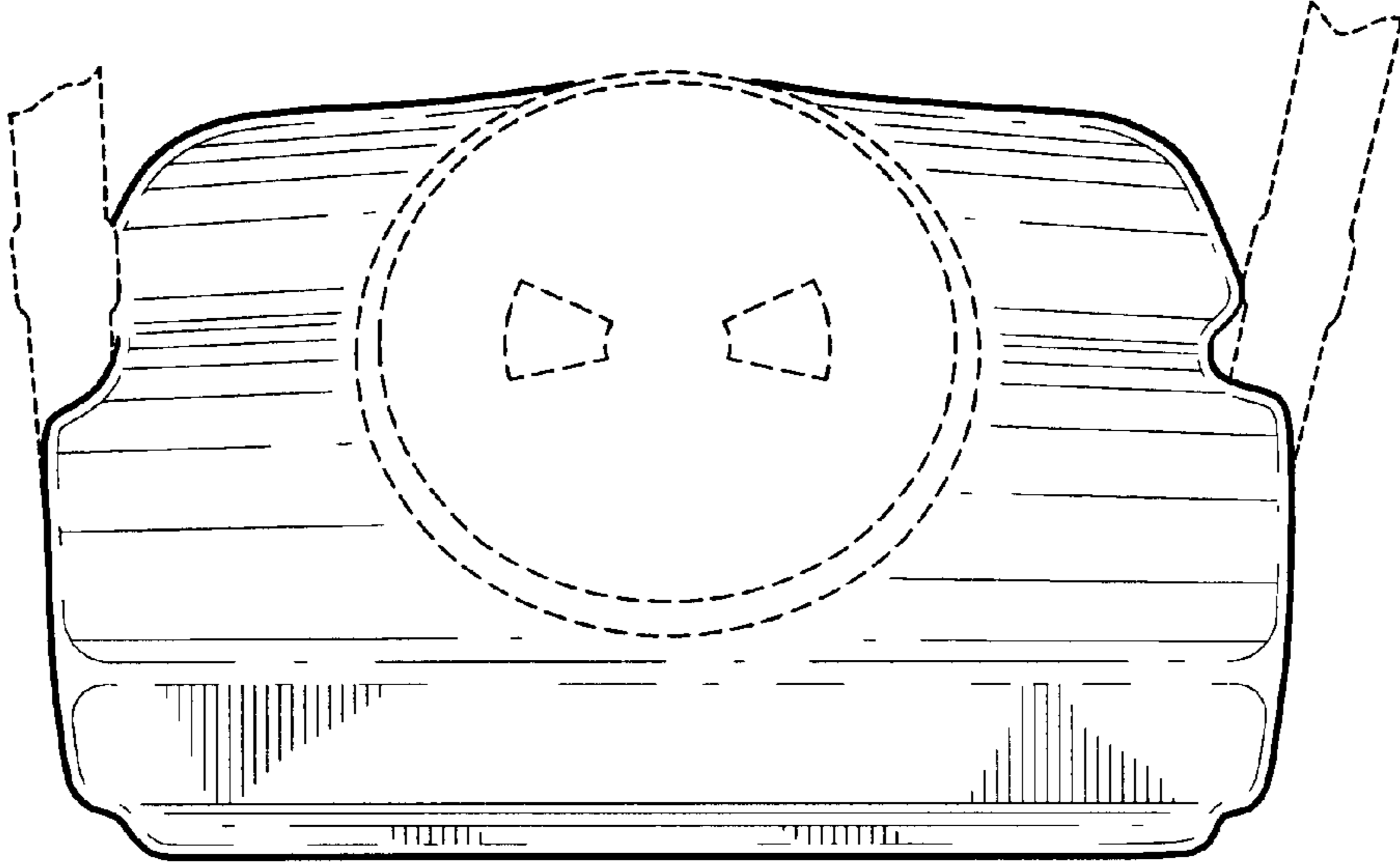


FIG. 4

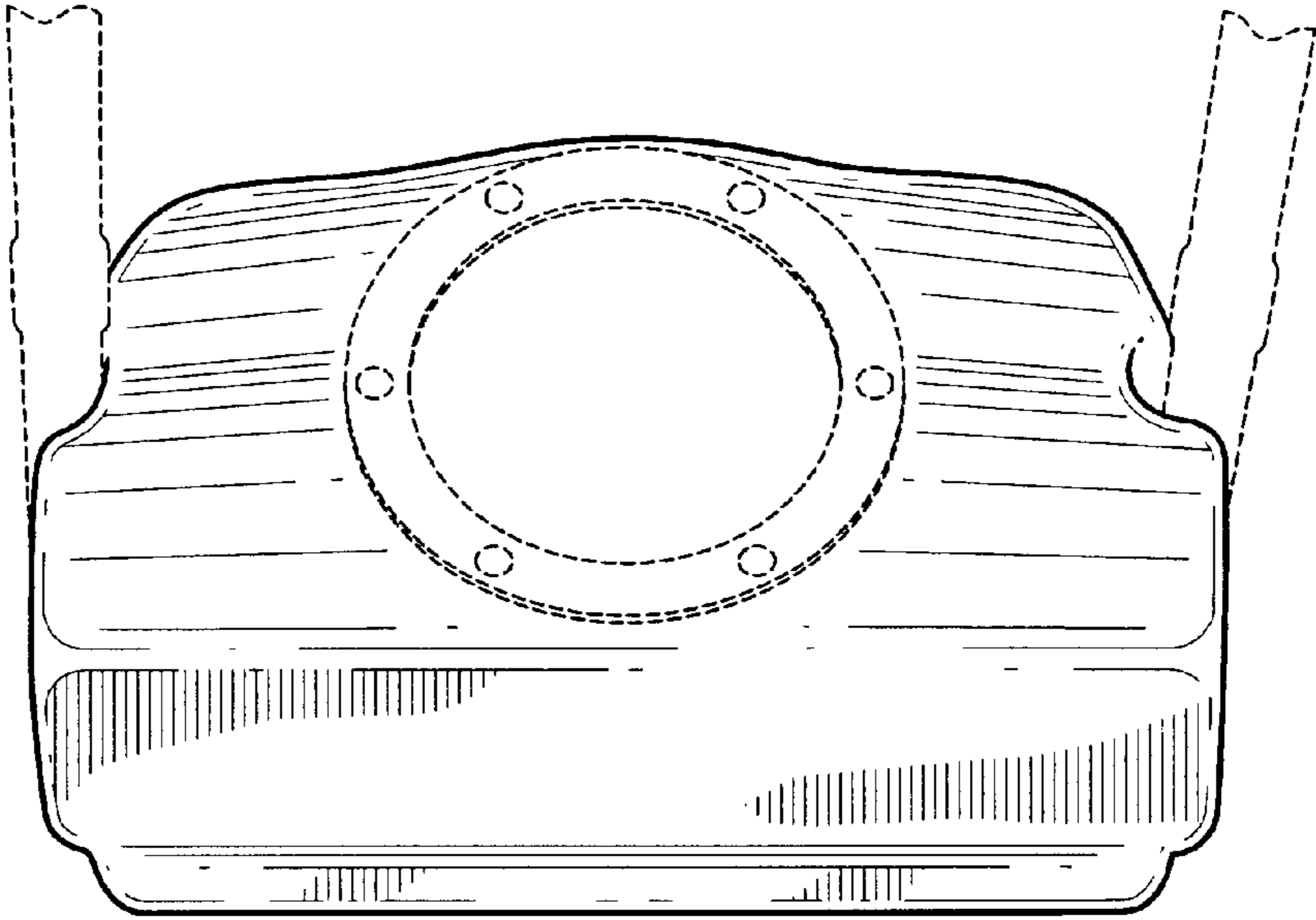


FIG. 5

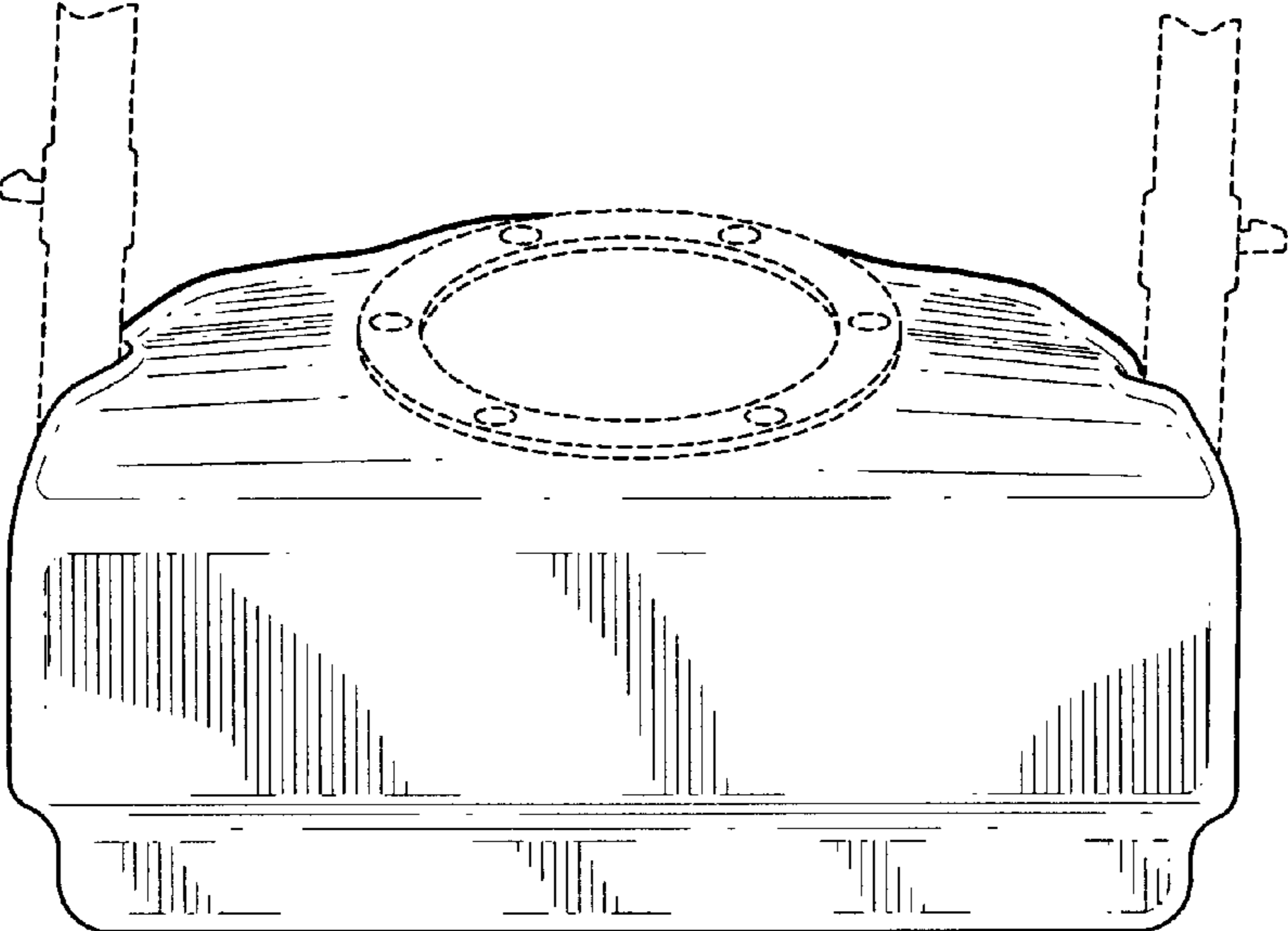


FIG. 6

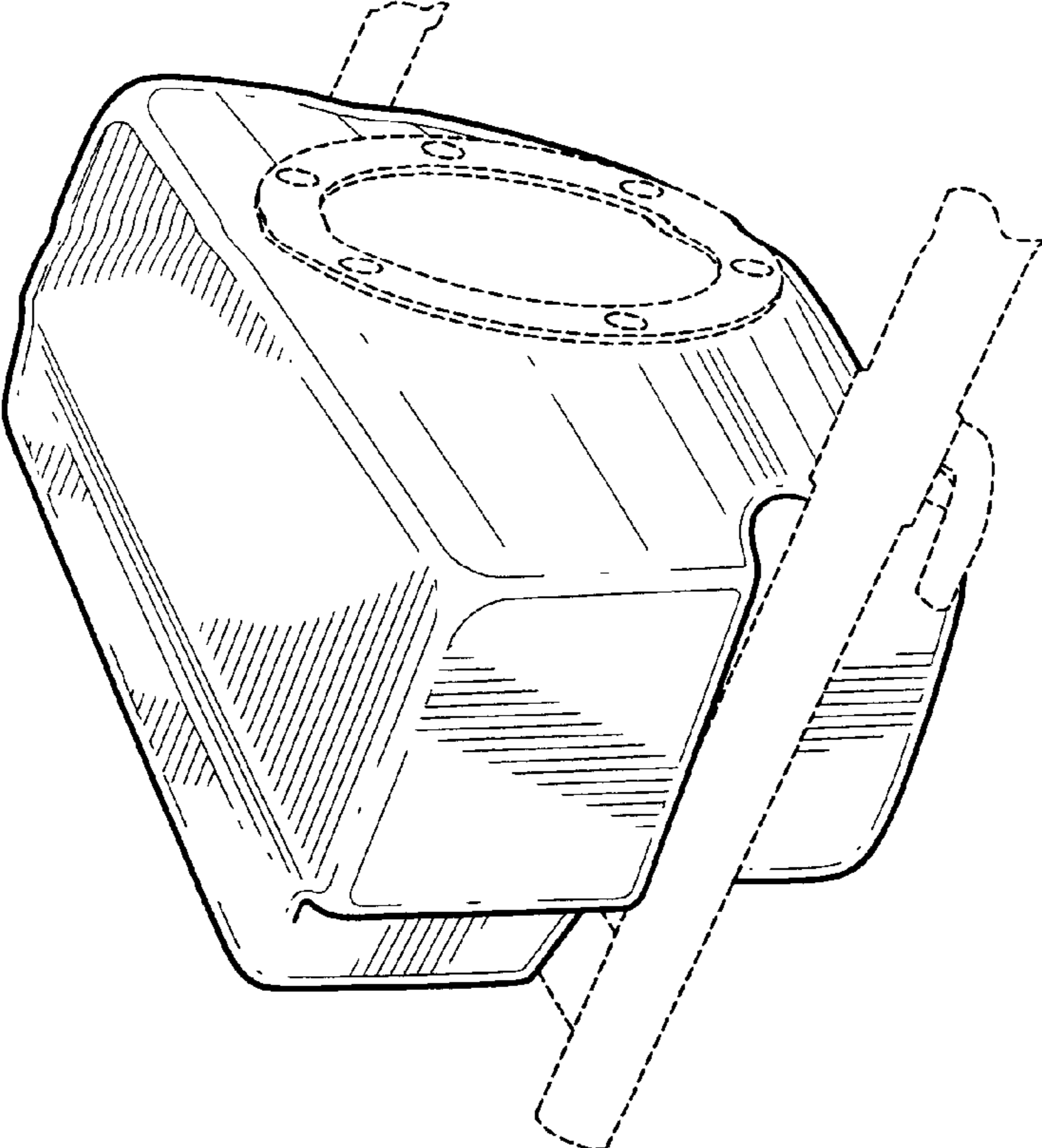


FIG. 7

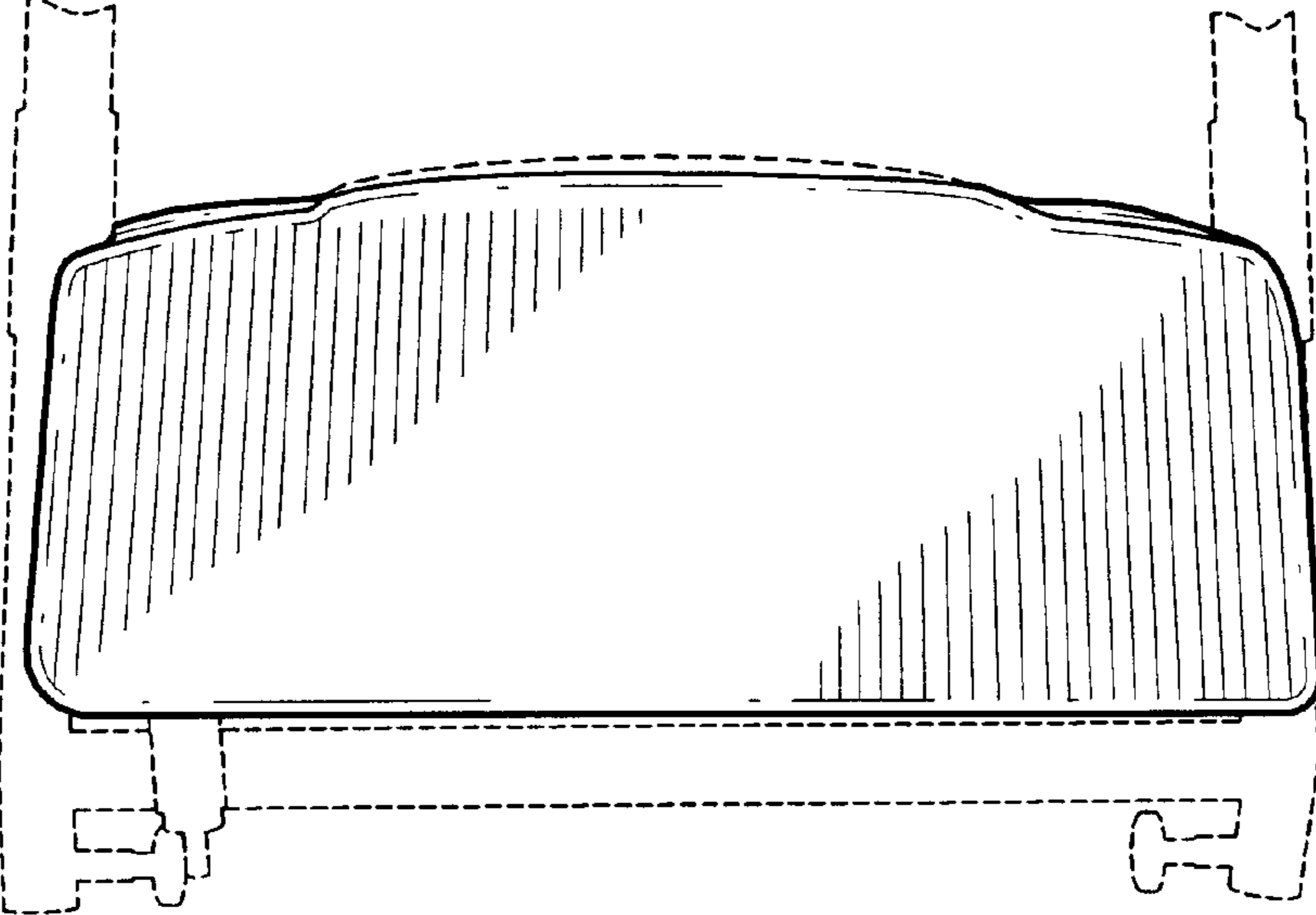


FIG. 8



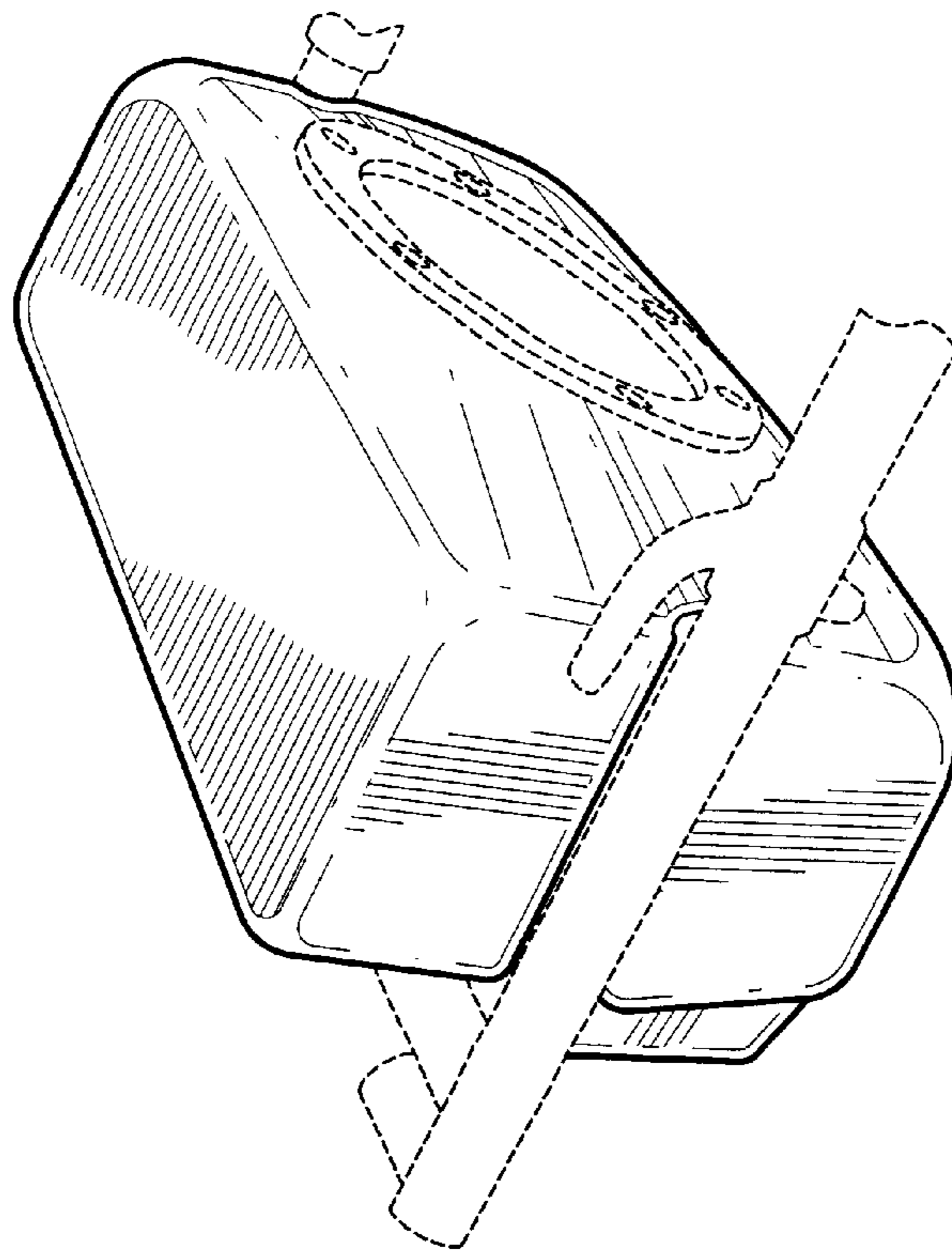


FIG. 9

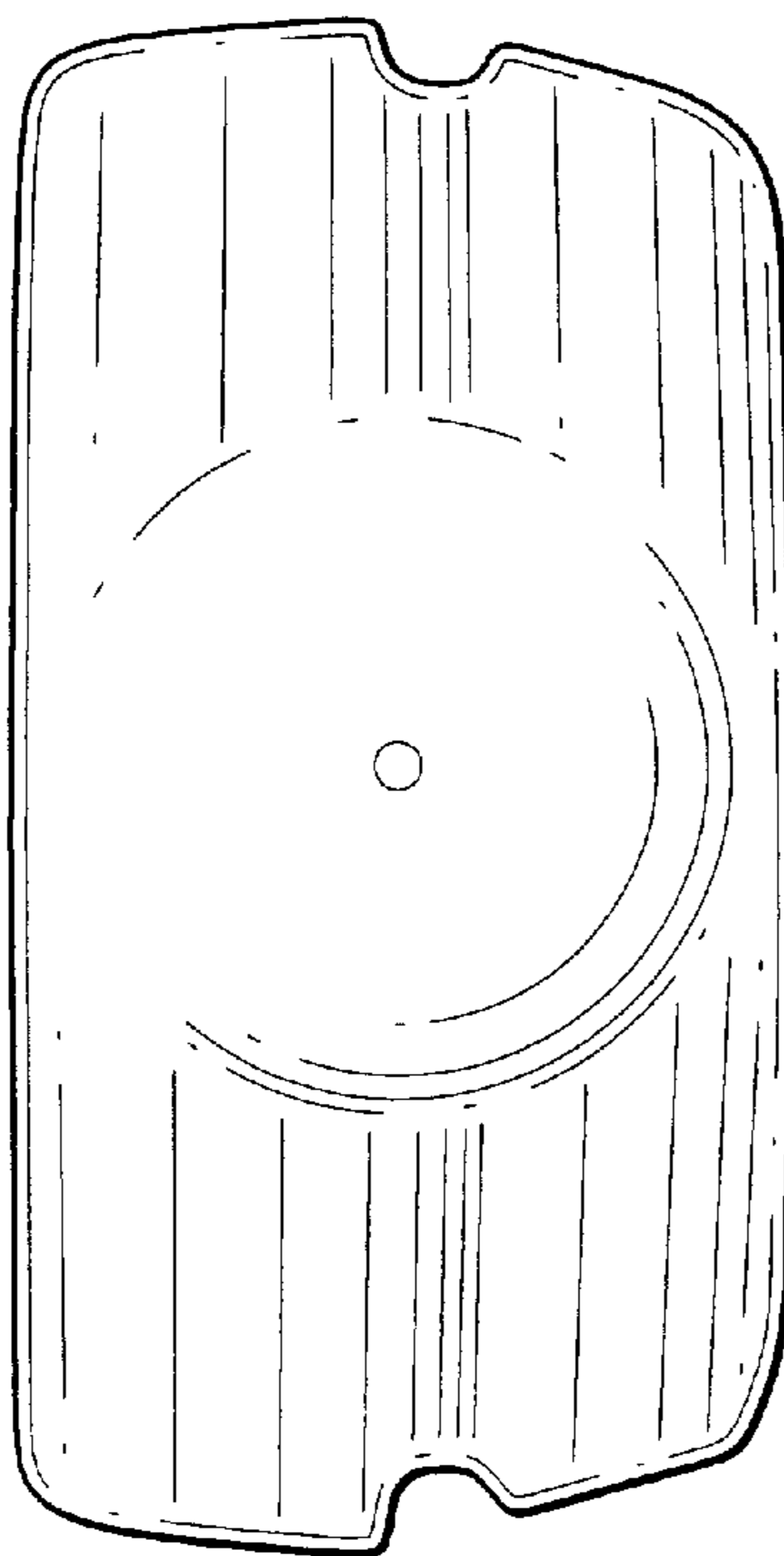


FIG. 10

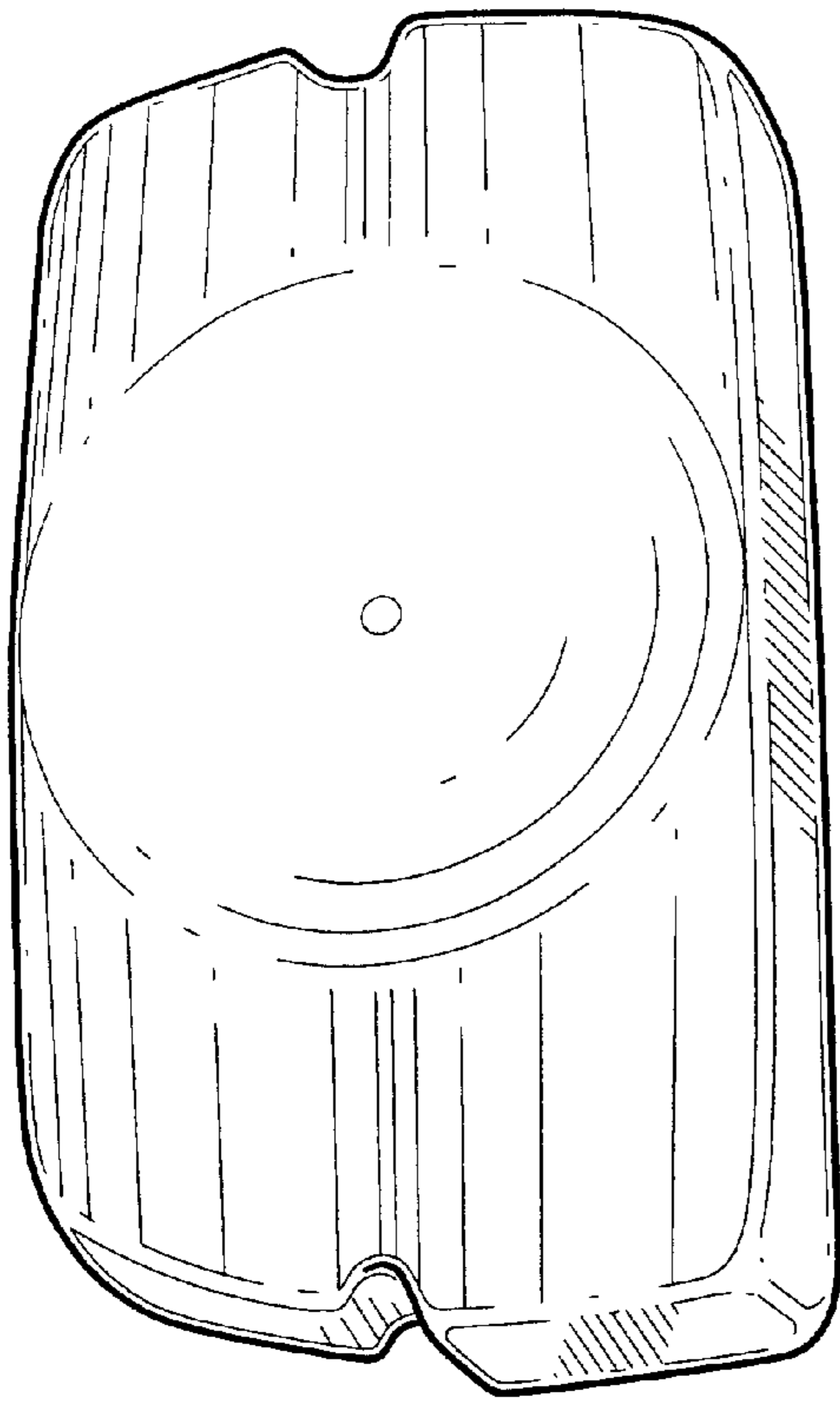


FIG. 11

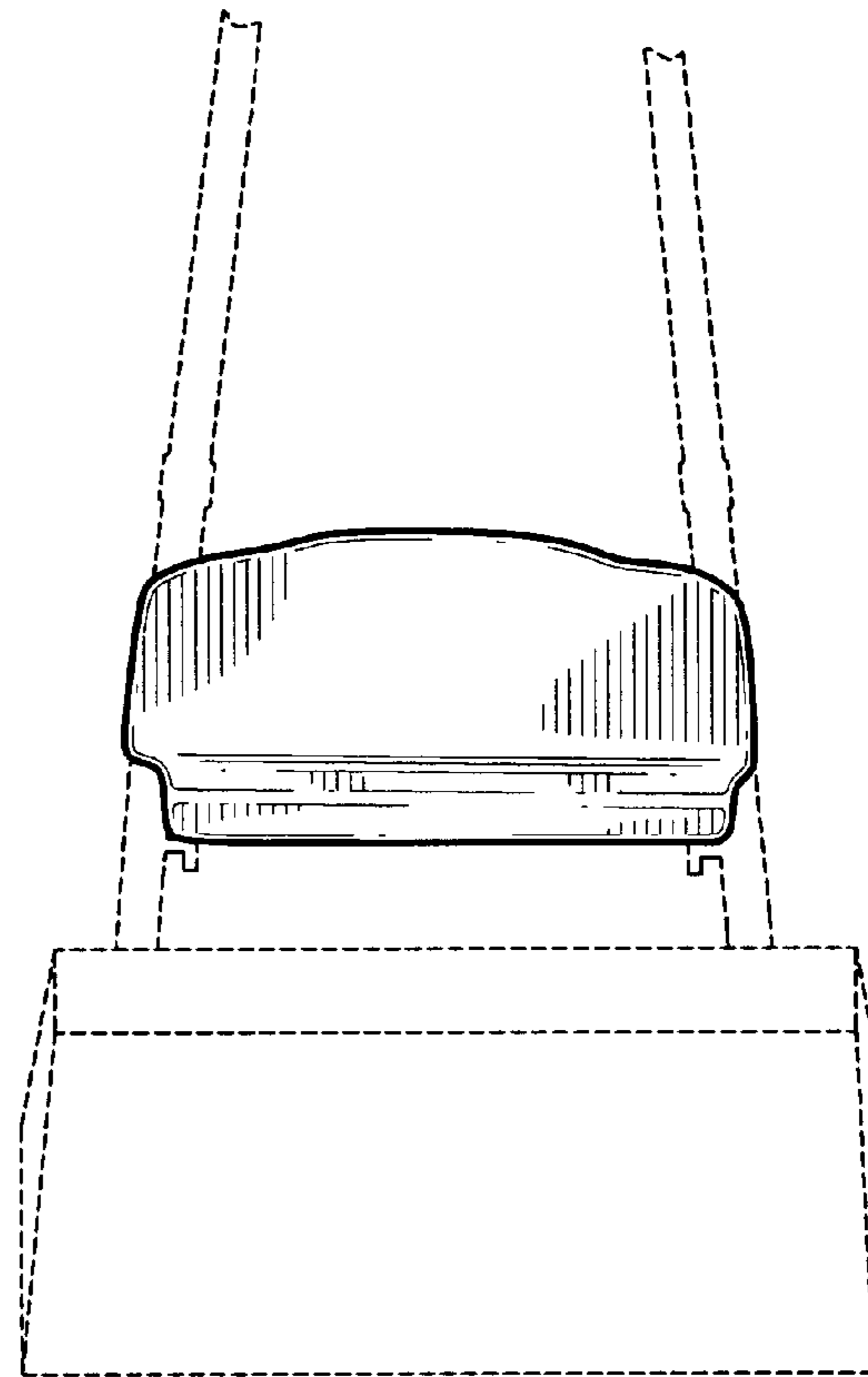


FIG. 12

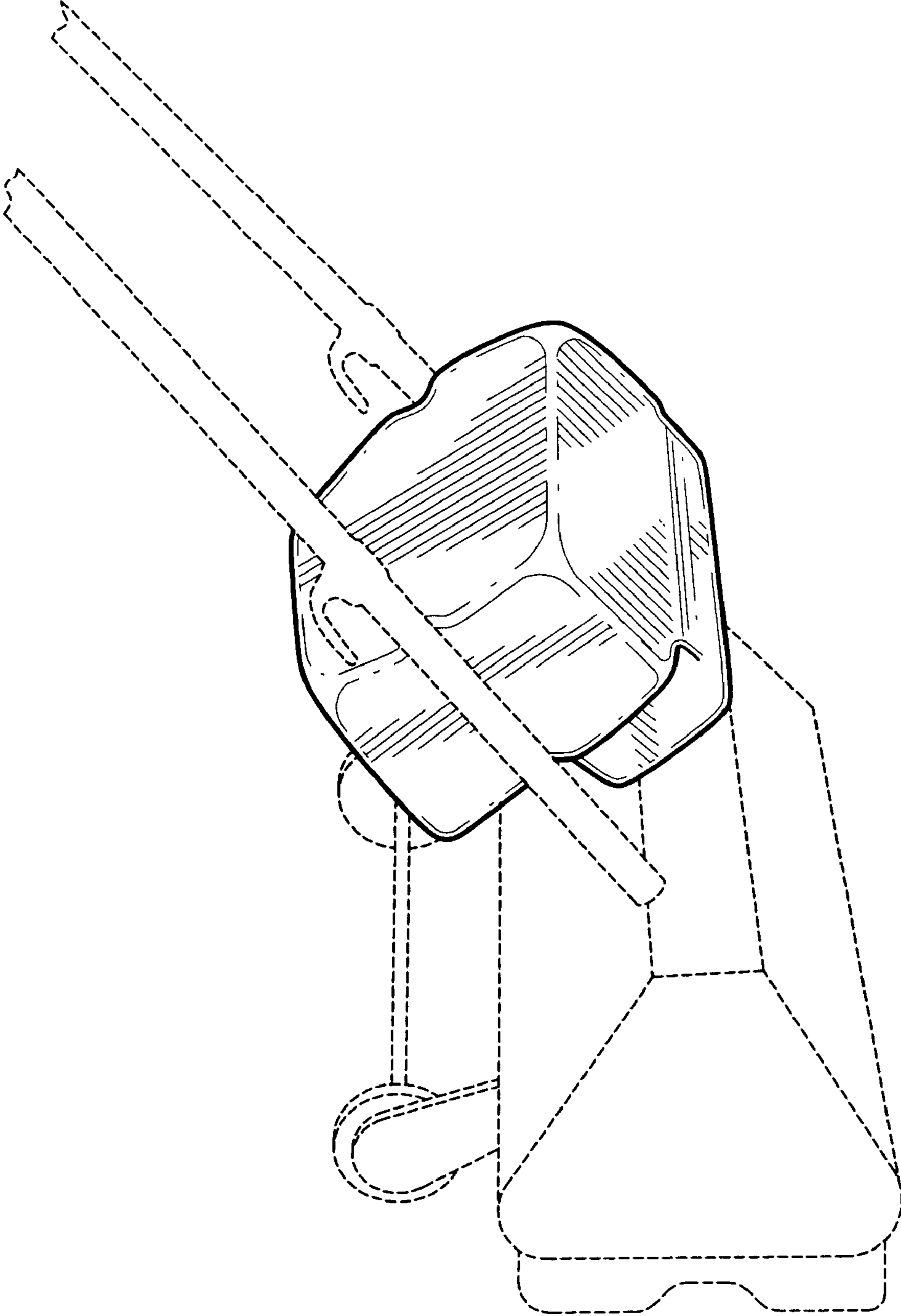


FIG. 13