

US00D506583S

(12) **United States Design Patent**
Salonen

(10) **Patent No.:** **US D506,583 S**
(45) **Date of Patent:** **** Jun. 21, 2005**

(54) **PET POOL LADDER**
(76) Inventor: **Lynn Salonen**, 880 Lark Ct.,
Cedarburg, WI (US) 53012
(**) Term: **14 Years**

D388,520 S * 12/1997 Hoffman, deceased
et al. D25/64
5,829,380 A 11/1998 Smith
D442,289 S * 5/2001 Ziaylek, Jr. et al. D25/64
6,321,689 B1 11/2001 Fulmer
6,598,562 B1 7/2003 Dutkiewicz et al.

(21) Appl. No.: **29/207,845**
(22) Filed: **Jun. 18, 2004**

* cited by examiner

(51) **LOC (8) Cl.** **30-99**
(52) **U.S. Cl.** **D30/199**; 182/93
(58) **Field of Search** D30/199; 119/706;
182/92, 82, 85, 93, 194, 198, 200, 206;
114/362; D25/2, 62-64, 68, 69; 14/71.1

Primary Examiner—Stella Reid
Assistant Examiner—Susan M Lee
(74) *Attorney, Agent, or Firm*—Boyle Fredrickson
Newholm Stein & Gratz S.C.

(57) **CLAIM**

The ornamental design for a pet pool ladder, as shown and described.

(56) **References Cited**

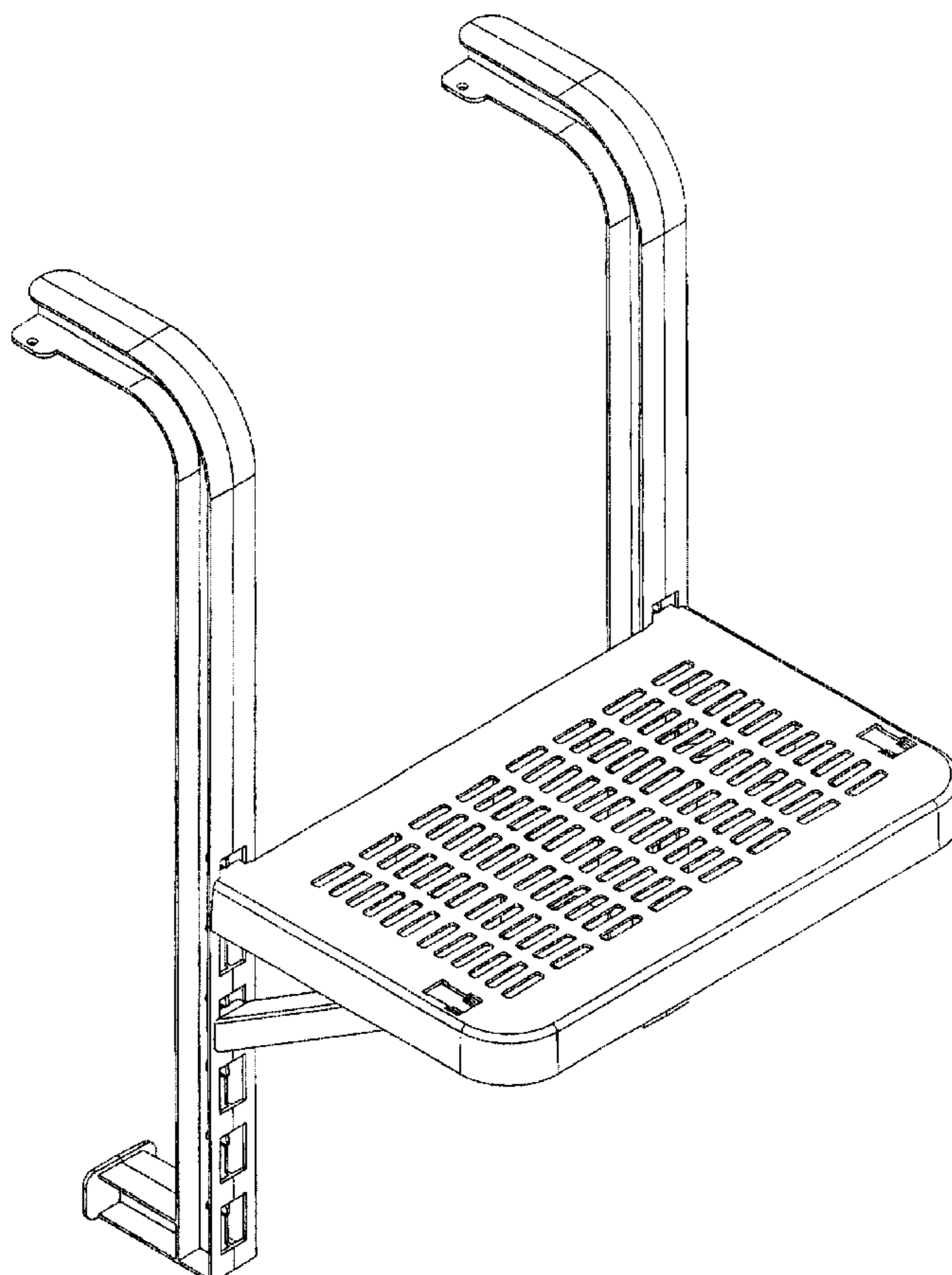
DESCRIPTION

U.S. PATENT DOCUMENTS

D248,777 S * 8/1978 Spencer et al. D25/68
4,186,820 A 2/1980 Cosman et al.
4,230,202 A 10/1980 Kudra, III
4,293,967 A 10/1981 Ord
4,538,314 A 9/1985 Baranowski
4,630,709 A 12/1986 Taylor
4,724,925 A 2/1988 Ritten
5,065,840 A 11/1991 Cadigan
5,333,323 A 8/1994 Aymes
5,592,801 A 1/1997 Balzer
5,634,440 A 6/1997 Mogck

FIG. 1 is perspective view of the pet pool ladder of my design, viewed from in front of, above, and from the right side of the ladder platform;
FIG. 2 is a front view thereof;
FIG. 3 is a right side view of thereof;
FIG. 4 is a top view thereof; and,
FIG. 5 is a bottom view thereof.
The left side view comprises a mirror image of the right side view shown in FIG. 3.

1 Claim, 5 Drawing Sheets



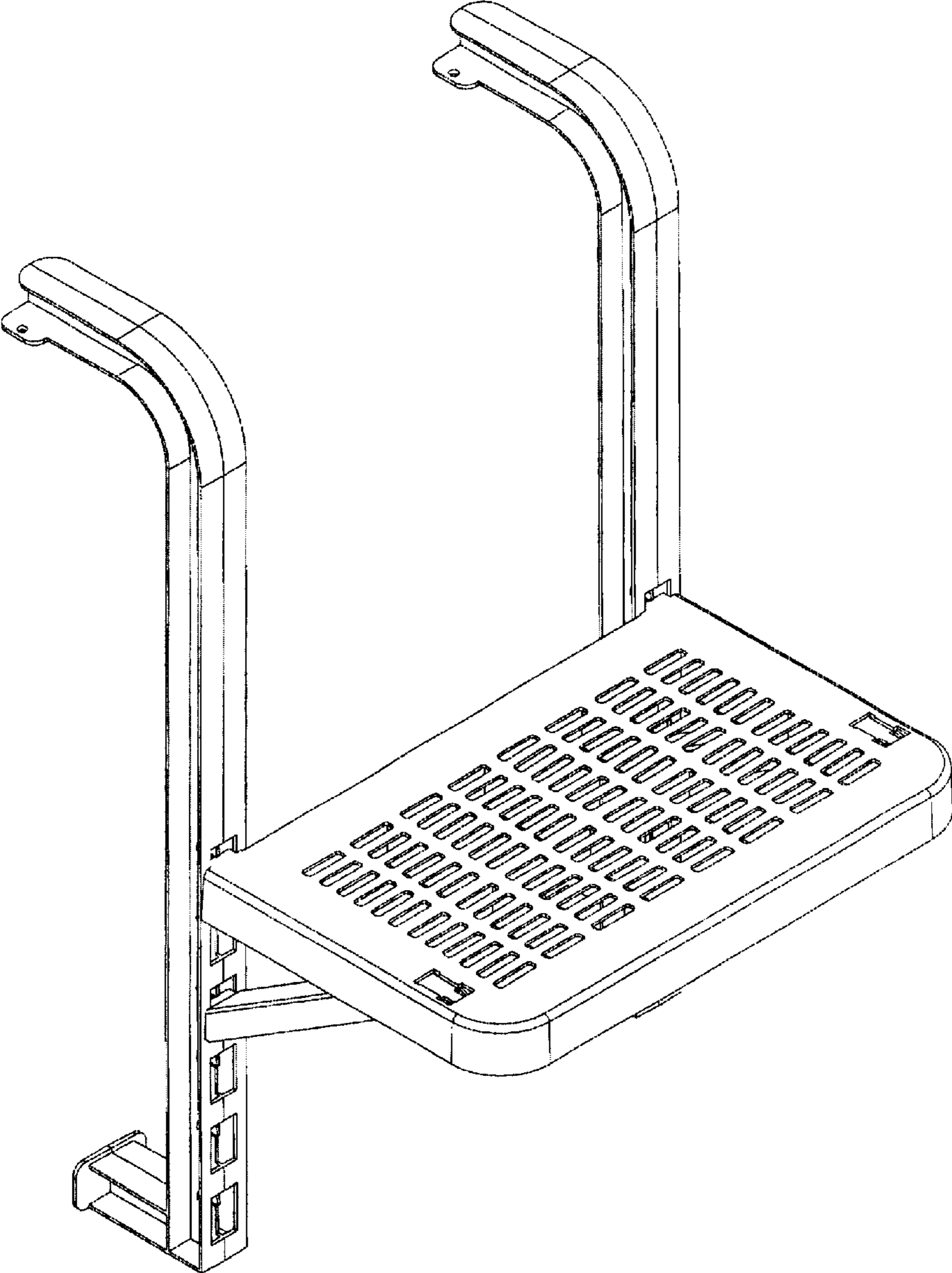


FIG. 1

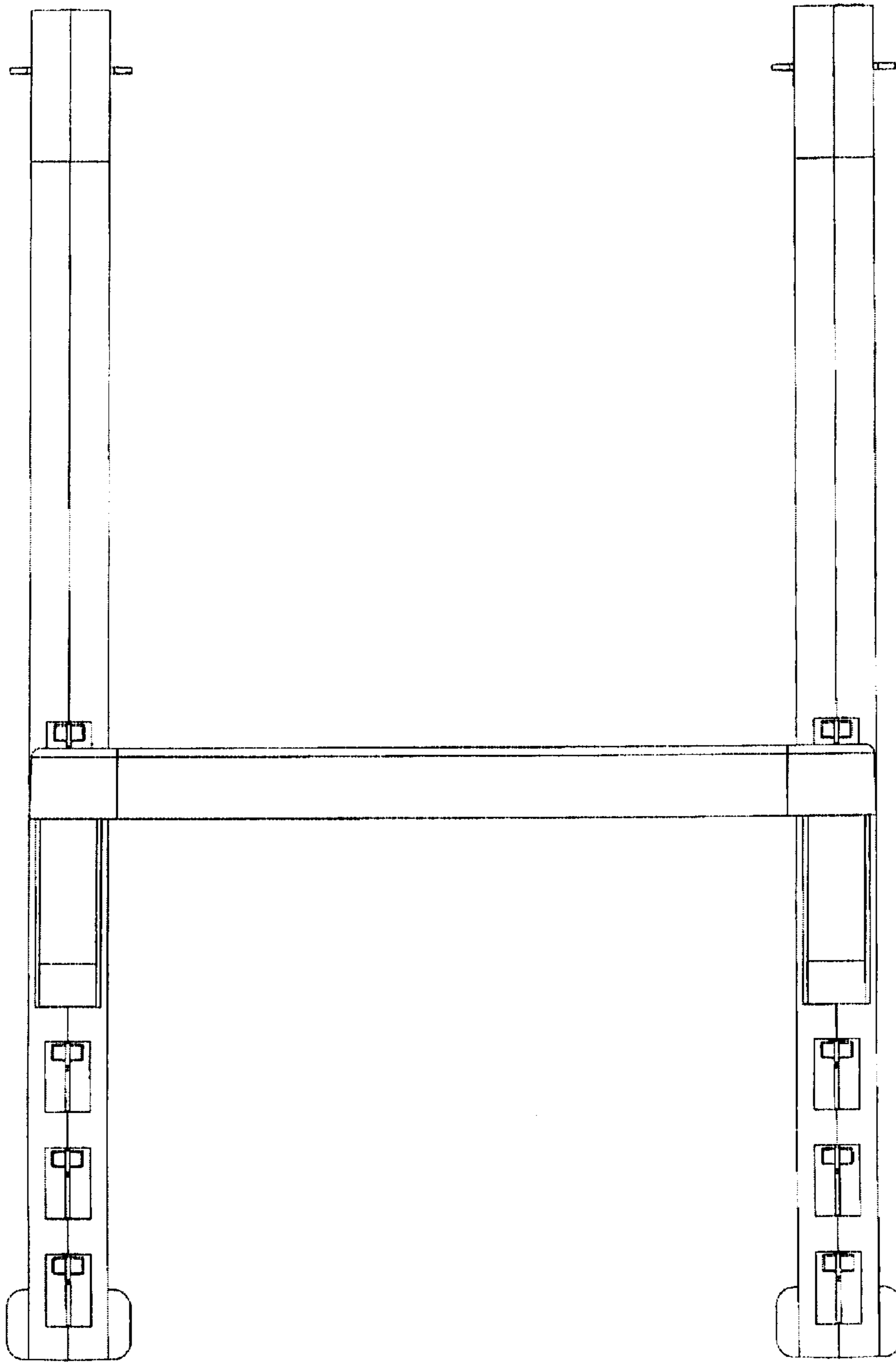


FIG. 2

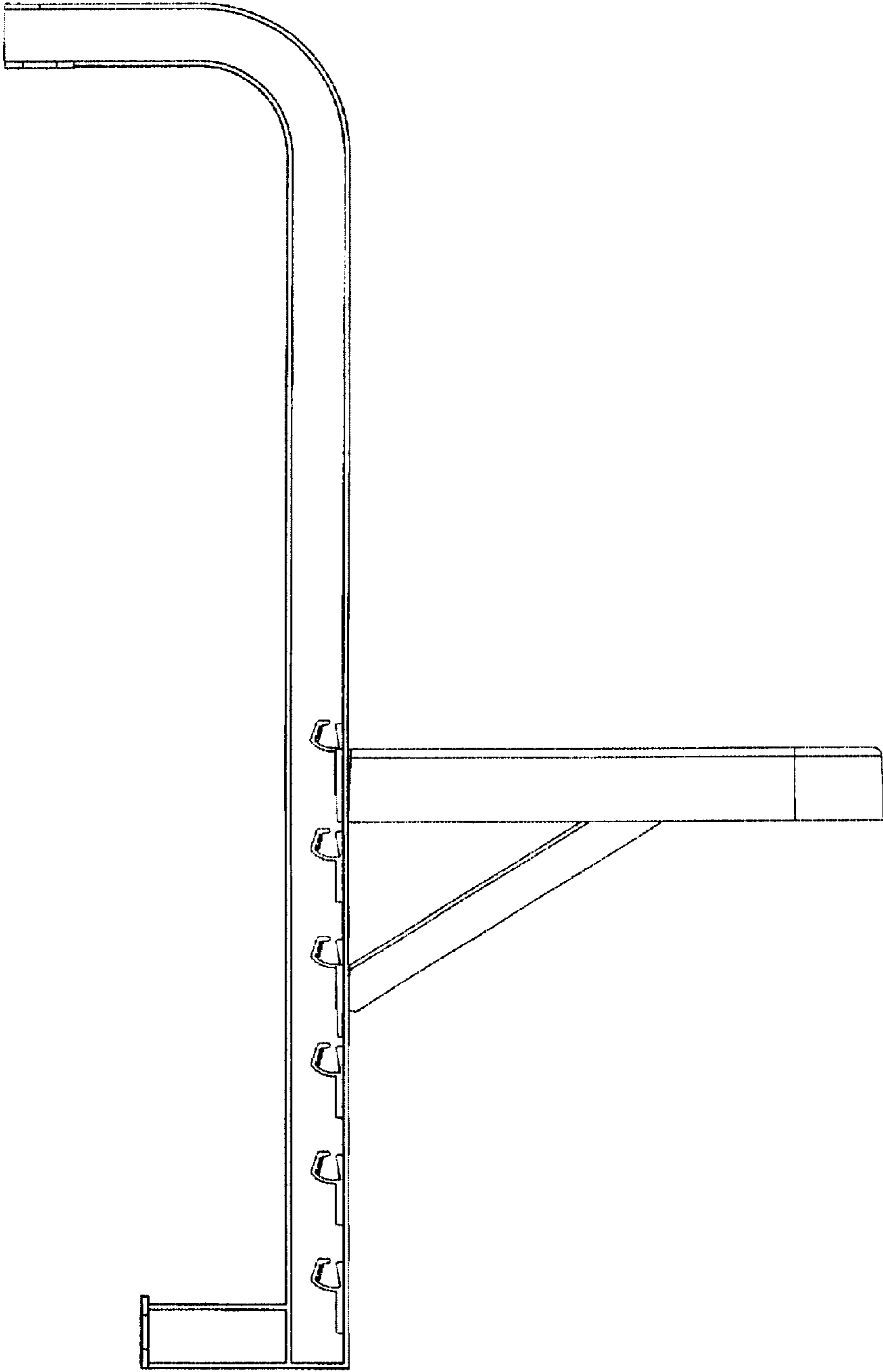


FIG. 3

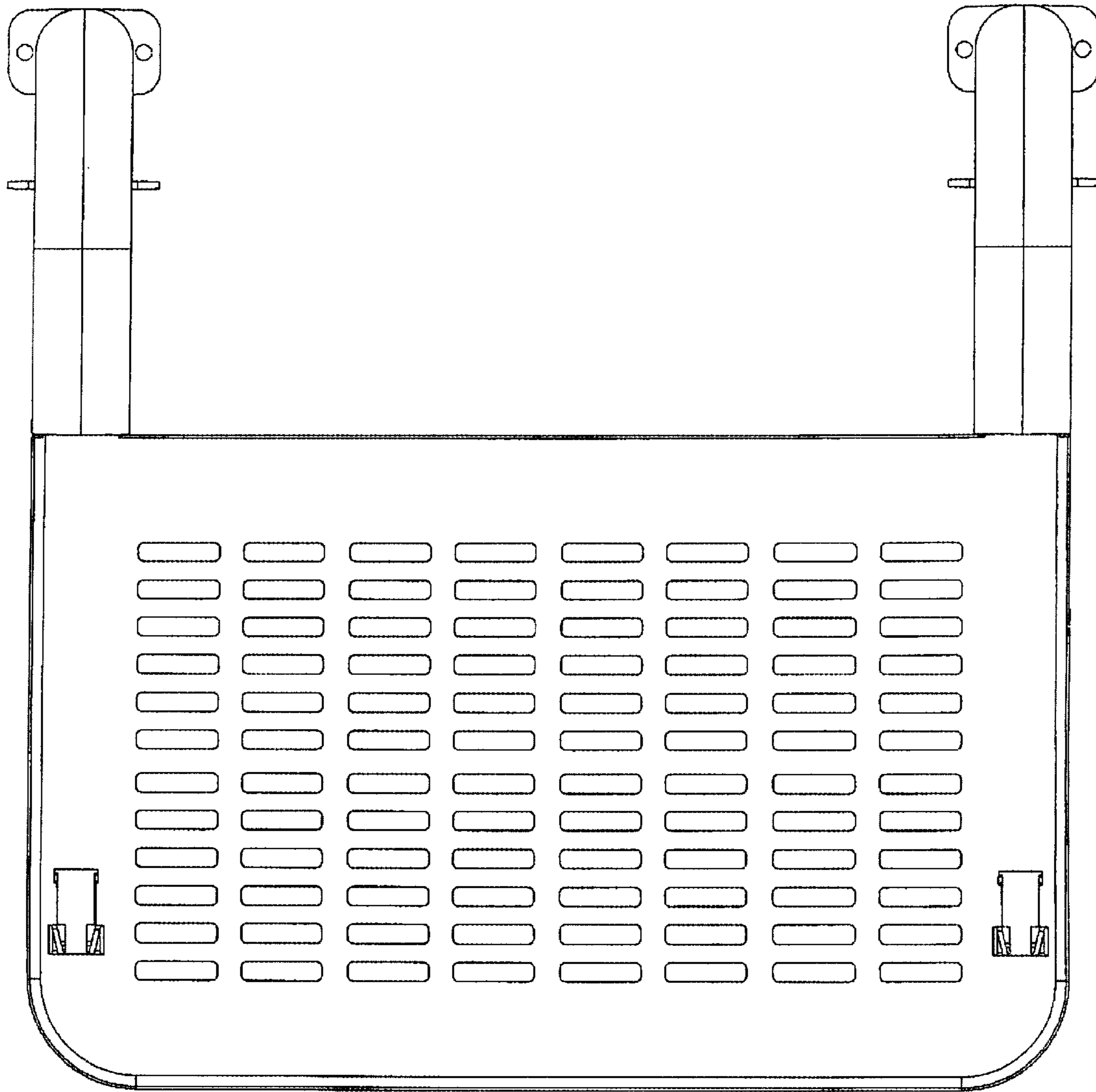


FIG. 4

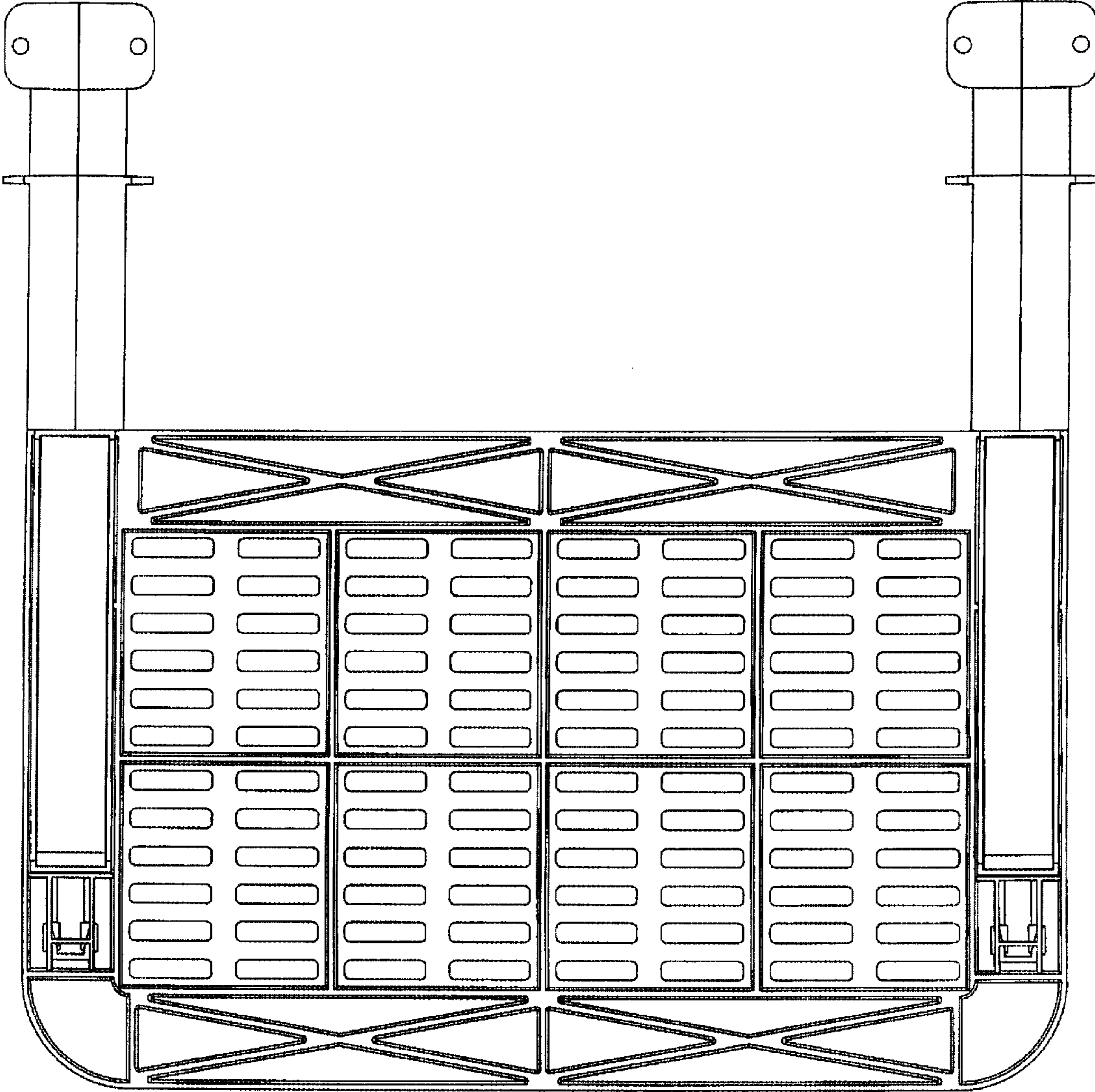


FIG. 5