

US00D506579S

(12) **United States Design Patent** (10) **Patent No.:** **US D506,579 S**
Balding (45) **Date of Patent:** **** Jun. 21, 2005**

- (54) **SHANK PIECE FOR A BRIDLE BIT**
- (75) Inventor: **Tom L. Balding**, Sheridan, WY (US)
- (73) Assignee: **TLB, Inc.**, Sheridan, WY (US)
- (**) Term: **14 Years**
- (21) Appl. No.: **29/176,059**
- (22) Filed: **Feb. 14, 2003**
- (51) **LOC (8) Cl.** **30-04**
- (52) **U.S. Cl.** **D30/136; D30/138**
- (58) **Field of Search** **D30/136; 54/7-9**

(56) **References Cited**

U.S. PATENT DOCUMENTS

690,017 A	*	12/1901	Craighead et al.	54/7
2,193,451 A	*	3/1940	Fryer	54/7
4,274,246 A		6/1981	Stewart	54/6
4,884,390 A		12/1989	Benjak et al.	54/7
5,062,255 A		11/1991	Myler et al.	54/7
D328,657 S		8/1992	Steele	54/7
5,822,950 A		10/1998	de Moya et al.	54/8

OTHER PUBLICATIONS

“2000 Spring Catalog,” National Roper’s Supply, pp 56–67.
 “2000–2001 Annual Catalog,” SS Schneiders, pp 61–64.
 “Bit Mouthpieces,” Tom Balding Bits & Spurs webpage, <http://www.tombalding.com/front/subpages/bits/mouthpieces.html>, printed Sep. 21, 2001, 4 pages.
 “Bit Shanks,” Tom Balding Bits & Spurs webpage, <http://www.tombalding.com/front/subpages/bits/shanks.html>, printed Sep. 21, 2001, 2 pages.
 “Equine Bits, Finding the Correct Bit to Use,” <http://www.geocities.com/Heartland/Ranch/8841/bits.html>, printed Sep. 21, 2001, 4 pages.

“How to Choose,” John Dewsbury Equine Horse Bits webpage, <http://www.horsebit.com/choosing.html>, printed Sep. 21, 2001, 3 pages.
 “Myler Bits—The Secret’s in the System,” Circle F Saddles & Tack webpage, <http://www.circleftack.com/myler.html>, printed Sep. 21, 2001, 2 pages.
 “The Premier Catalog for the Western Horeman,” Smith Brothers, 1998, pp H1–H16.

* cited by examiner

Primary Examiner—Pamela Burgess

(74) *Attorney, Agent, or Firm*—Santangelo Law Offices, P.C.

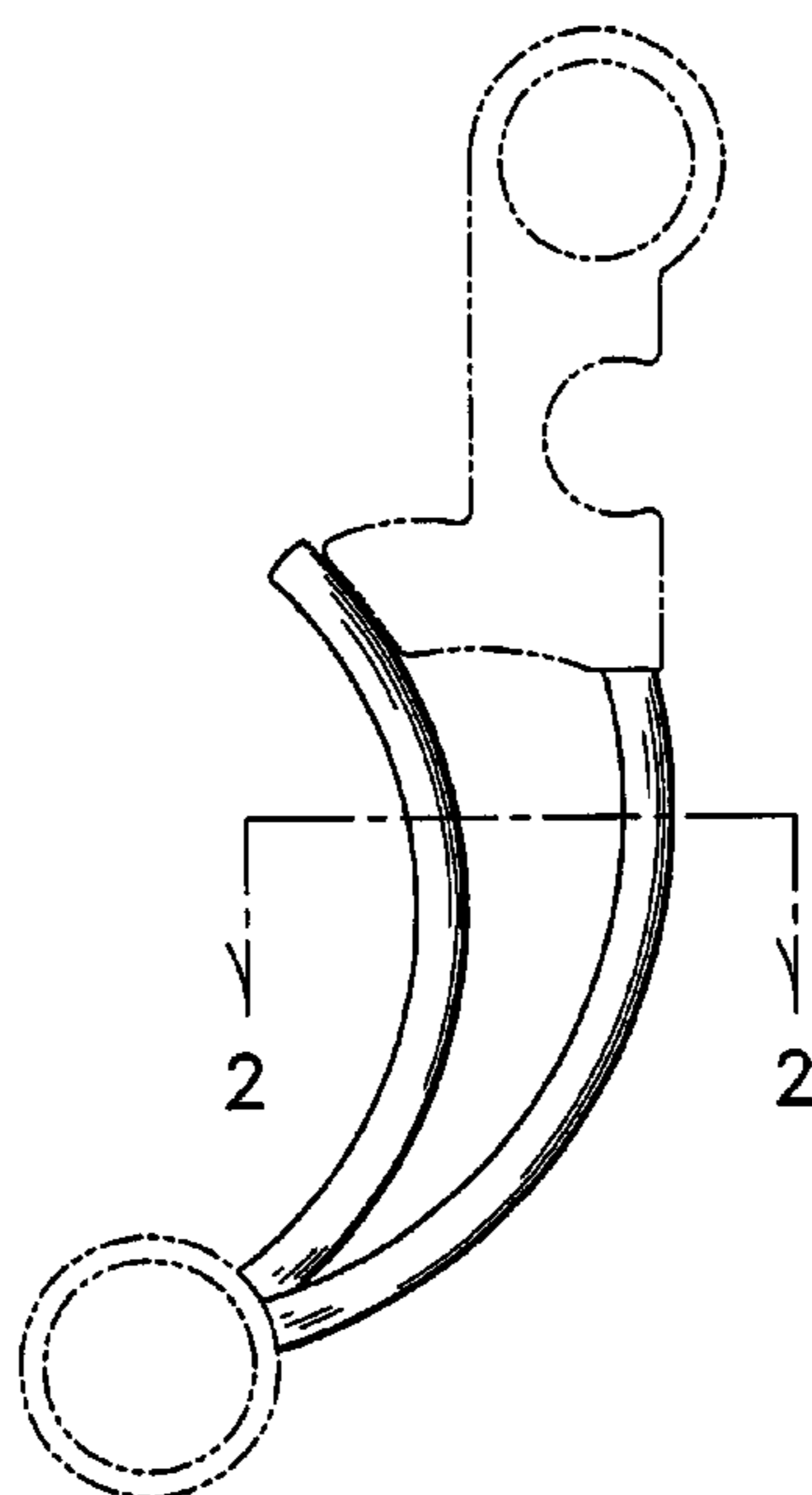
(57) **CLAIM**

The ornamental design for shank piece for a bridle bit, as shown and described.

DESCRIPTION

FIG. 1 is a front view of a shank piece for a bridle bit showing my new design;
 FIG. 2 is a cross-sectional view thereof taken along line 2—2 of FIG. 1;
 FIG. 3 is a front view of a second embodiment of a shank piece for a bridle bit showing my new design;
 FIG. 4 is a cross-sectional view thereof taken along line 4—4 of FIG. 3; and,
 FIG. 5 is a front view of a third embodiment of a shank piece for a bridle bit showing my new design, it being understood that the appearance from the rear forms no part of the claimed design.
 The broken lines shown in newly amended FIGS. 1, 3, and 5 are for illustrative purposes only and form no part of the claimed design.

1 Claim, 3 Drawing Sheets



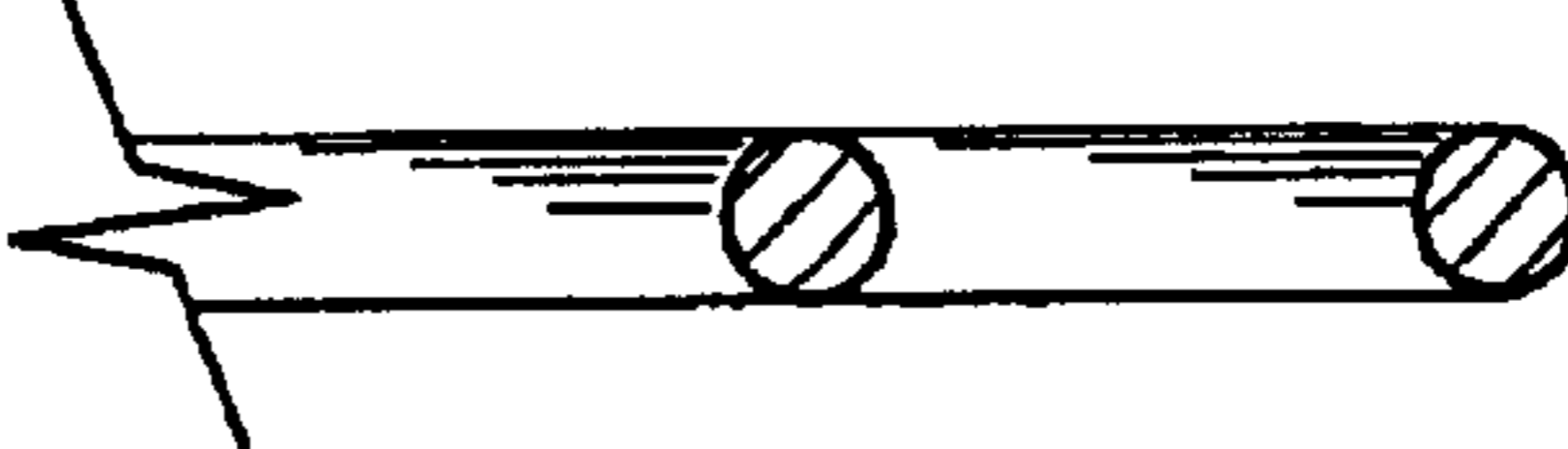
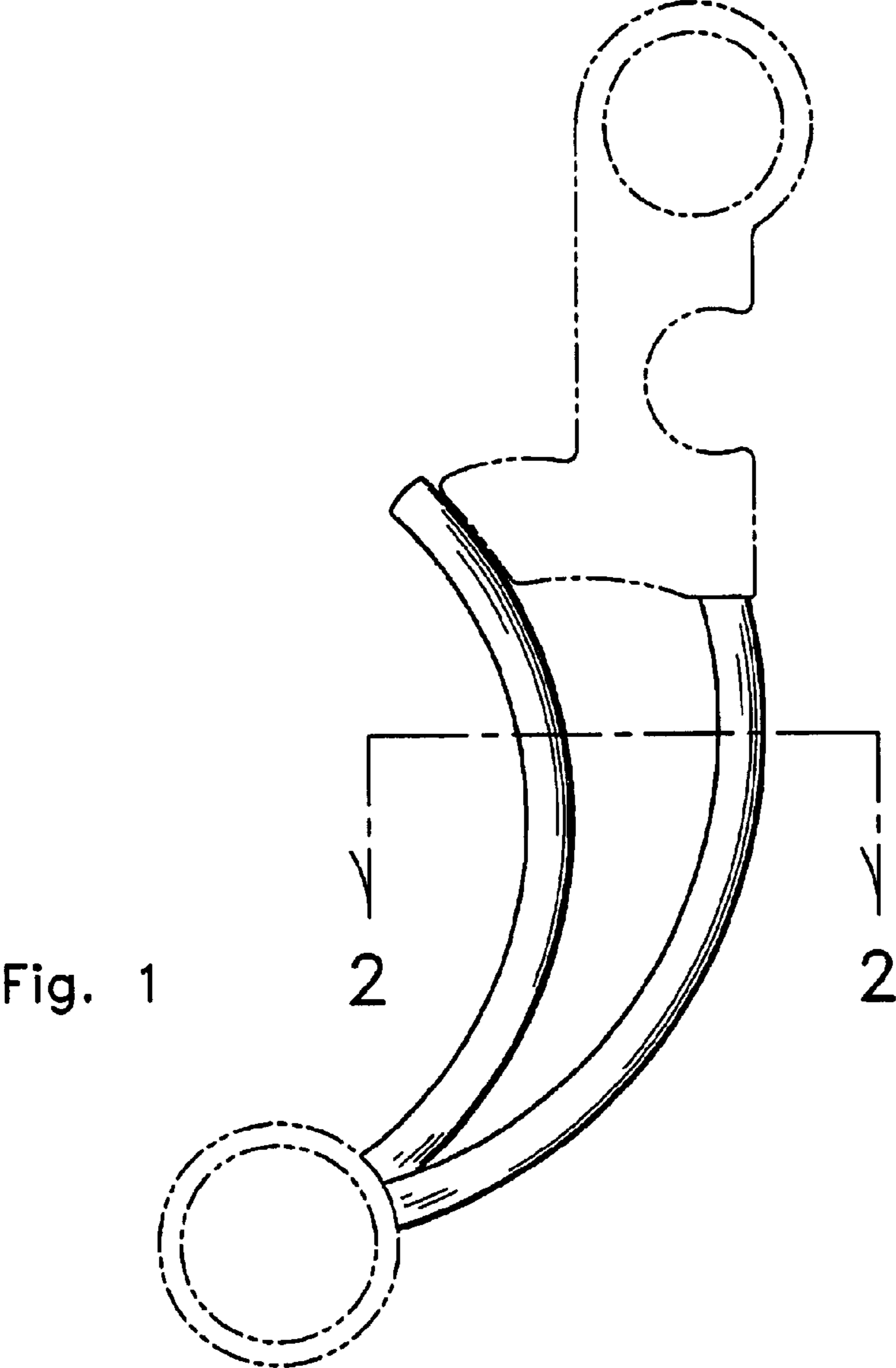


Fig. 2

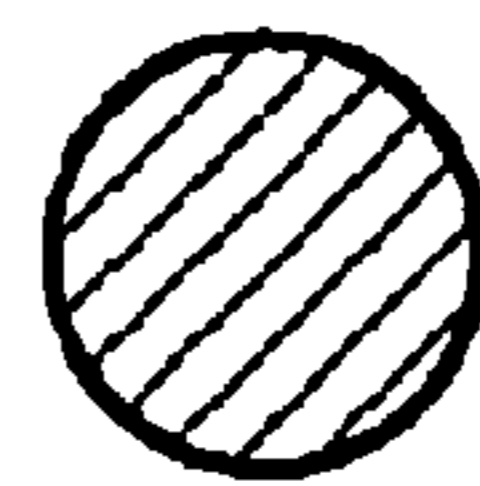
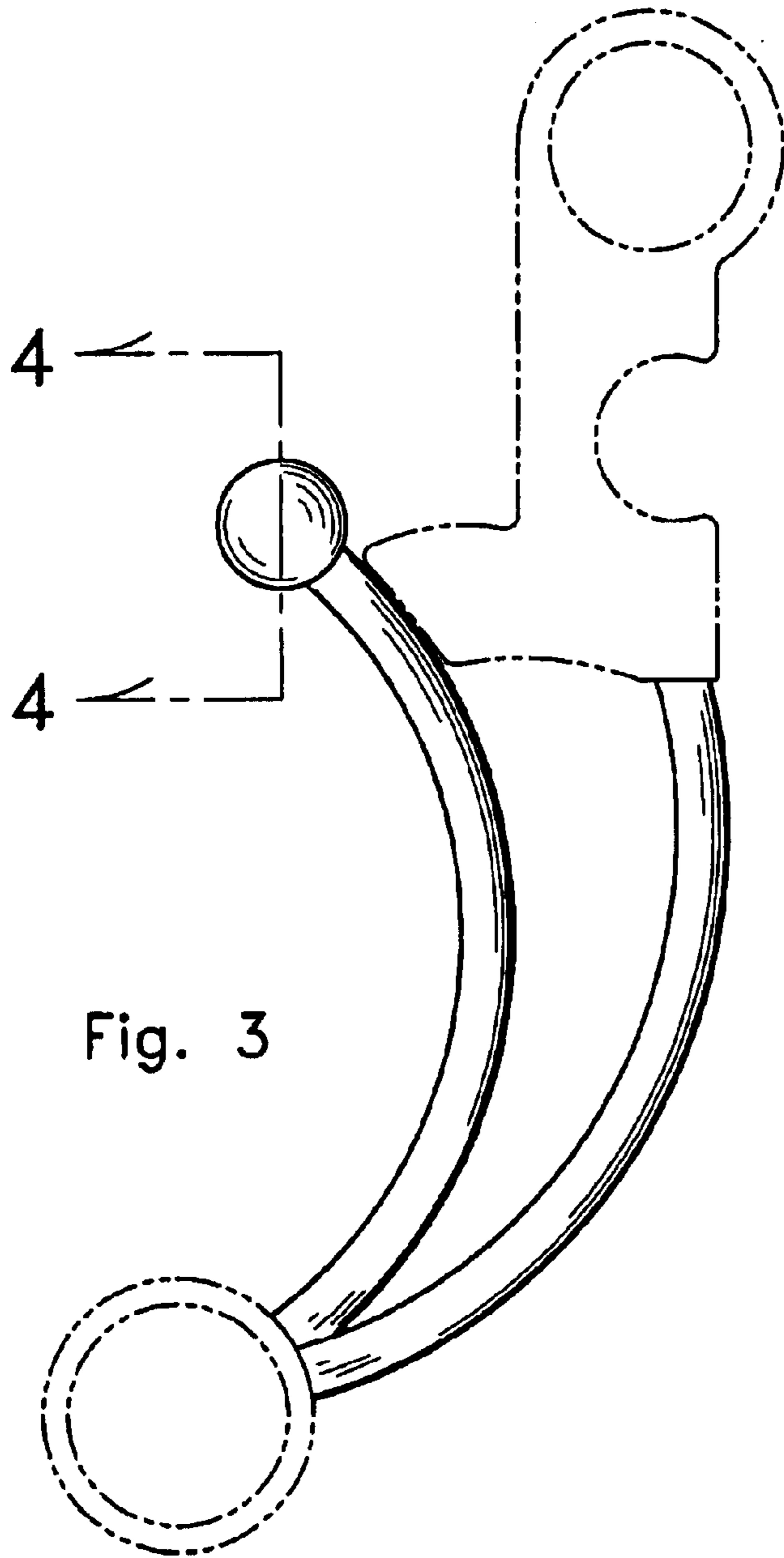


Fig. 4

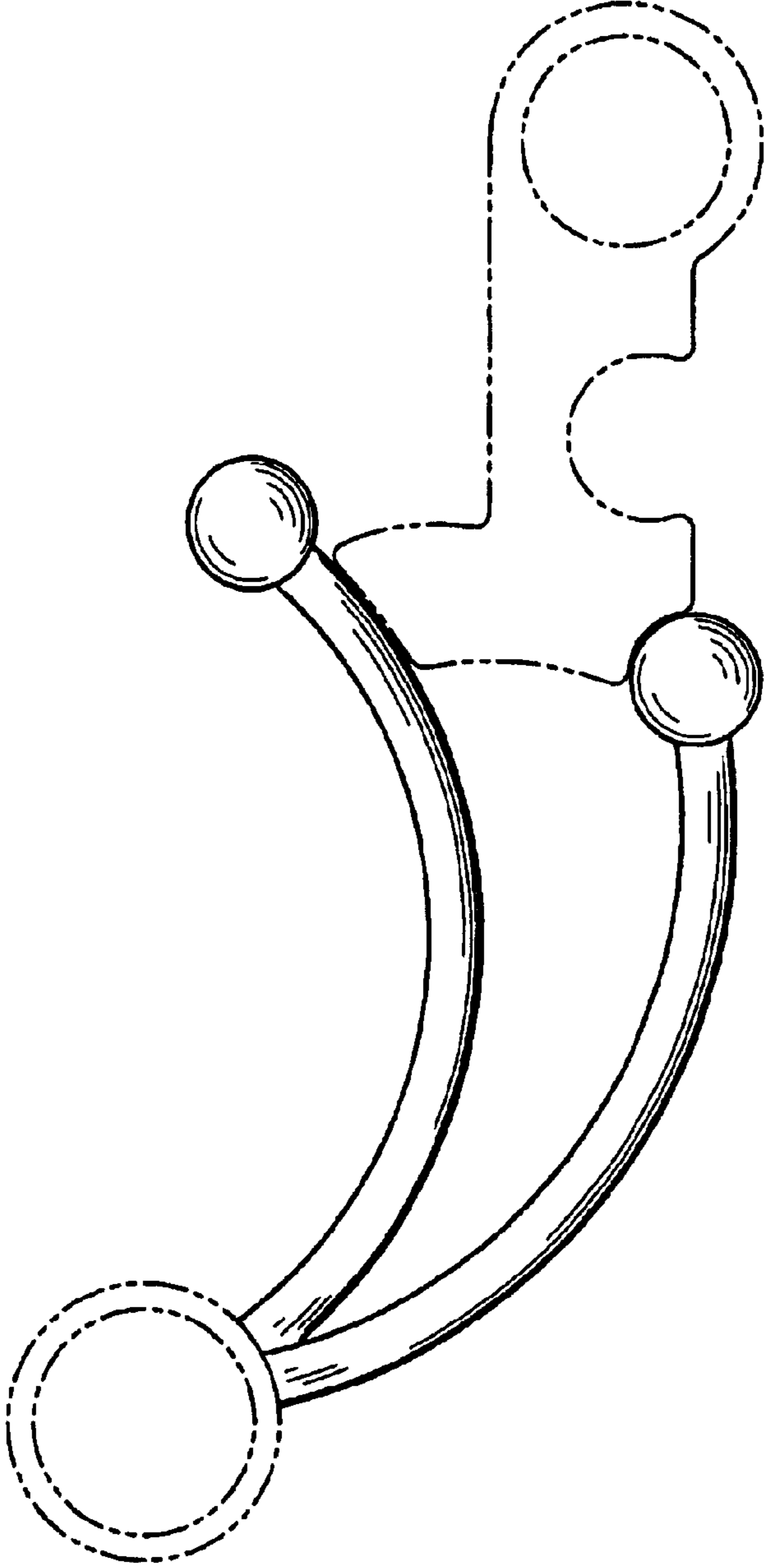


Fig. 5