

US00D506575S

(12) **United States Design Patent**  
**Warren**

(10) **Patent No.:** **US D506,575 S**  
(45) **Date of Patent:** **\*\* Jun. 21, 2005**

(54) **TOE CLEANING DEVICE AND CHARGING STAND**

(76) **Inventor:** **Anthony Warren**, 1893 Berkeseey Dr.,  
Valley Springs, CA (US) 95252

(\*\*) **Term:** **14 Years**

(21) **Appl. No.:** **29/186,446**

(22) **Filed:** **Jul. 16, 2003**

(51) **LOC (8) Cl.** ..... **28-03**

(52) **U.S. Cl.** ..... **D28/58**

(58) **Field of Search** ..... D28/56, 57, 58,  
D28/59, 60, 61, 62; D30/158, 159; 132/73,  
73.5, 73.6, 74.5, 75, 75.3-75.6, 76.2, 76.4,  
76.5

(56) **References Cited**

**U.S. PATENT DOCUMENTS**

D141,113 S \* 5/1945 Gardner ..... D28/57  
D299,957 S \* 2/1989 Shoemaker ..... D28/56

D319,713 S \* 9/1991 Emery ..... D28/59  
5,640,979 A \* 6/1997 Trenary ..... 132/73.6  
5,819,757 A \* 10/1998 Baekkelund ..... 132/73.6  
5,992,422 A \* 11/1999 Ivory ..... 132/73

\* cited by examiner

*Primary Examiner*—Jennifer Rivard

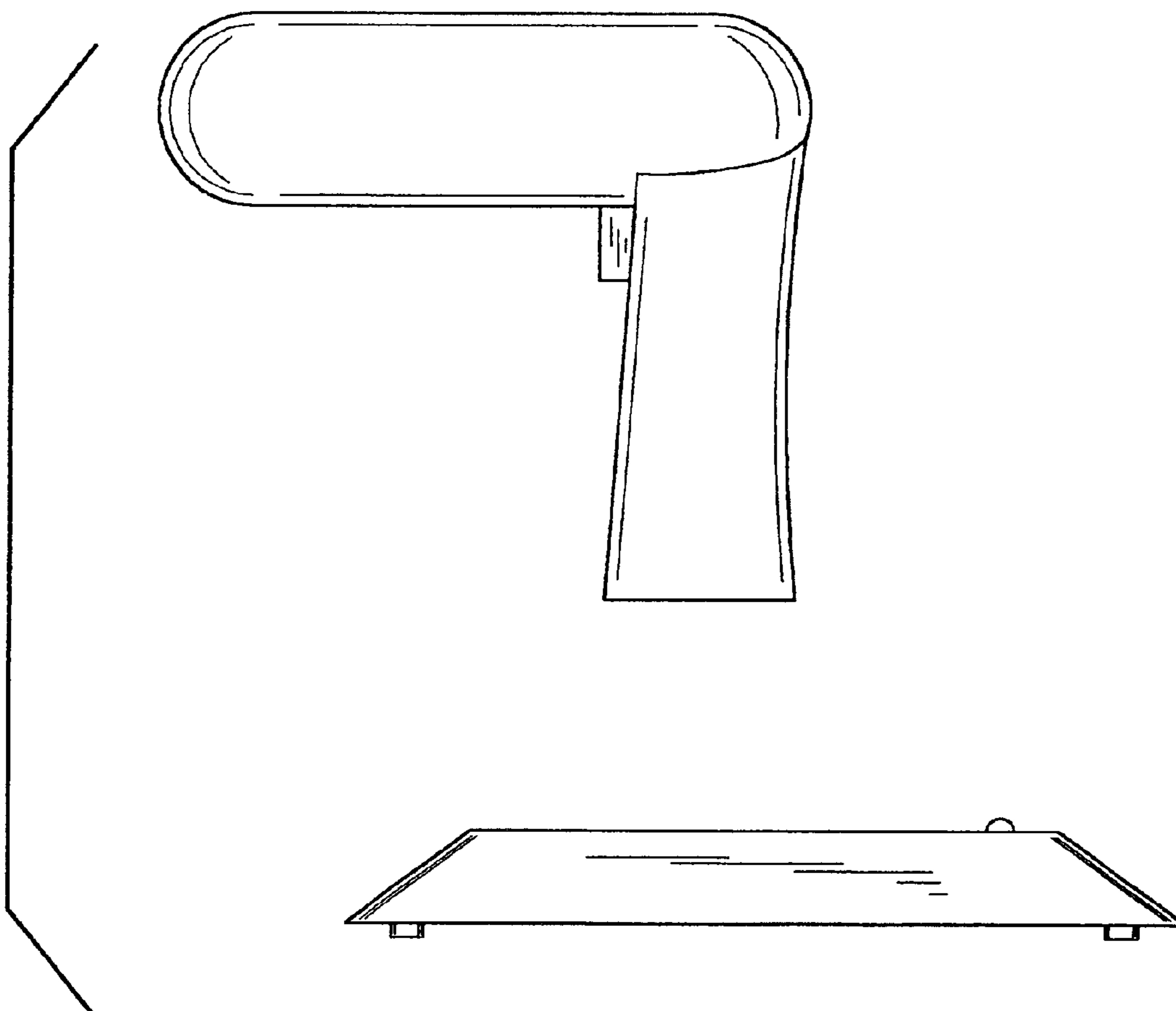
(57) **CLAIM**

I claim the ornamental design for a toe cleaning device and charging stand, as shown and described.

**DESCRIPTION**

FIG. 1 is a front elevational view of a toe cleaning device and charging stand showing my new design, the rear elevational view being a mirror image thereof;  
FIG. 2 is a side view, taken from the left side of FIG. 1;  
FIG. 3 is a side view, taken from the right side of FIG. 1;  
FIG. 4 is a top plan view thereof; and,  
FIG. 5 is a bottom plan view thereof.

**1 Claim, 5 Drawing Sheets**



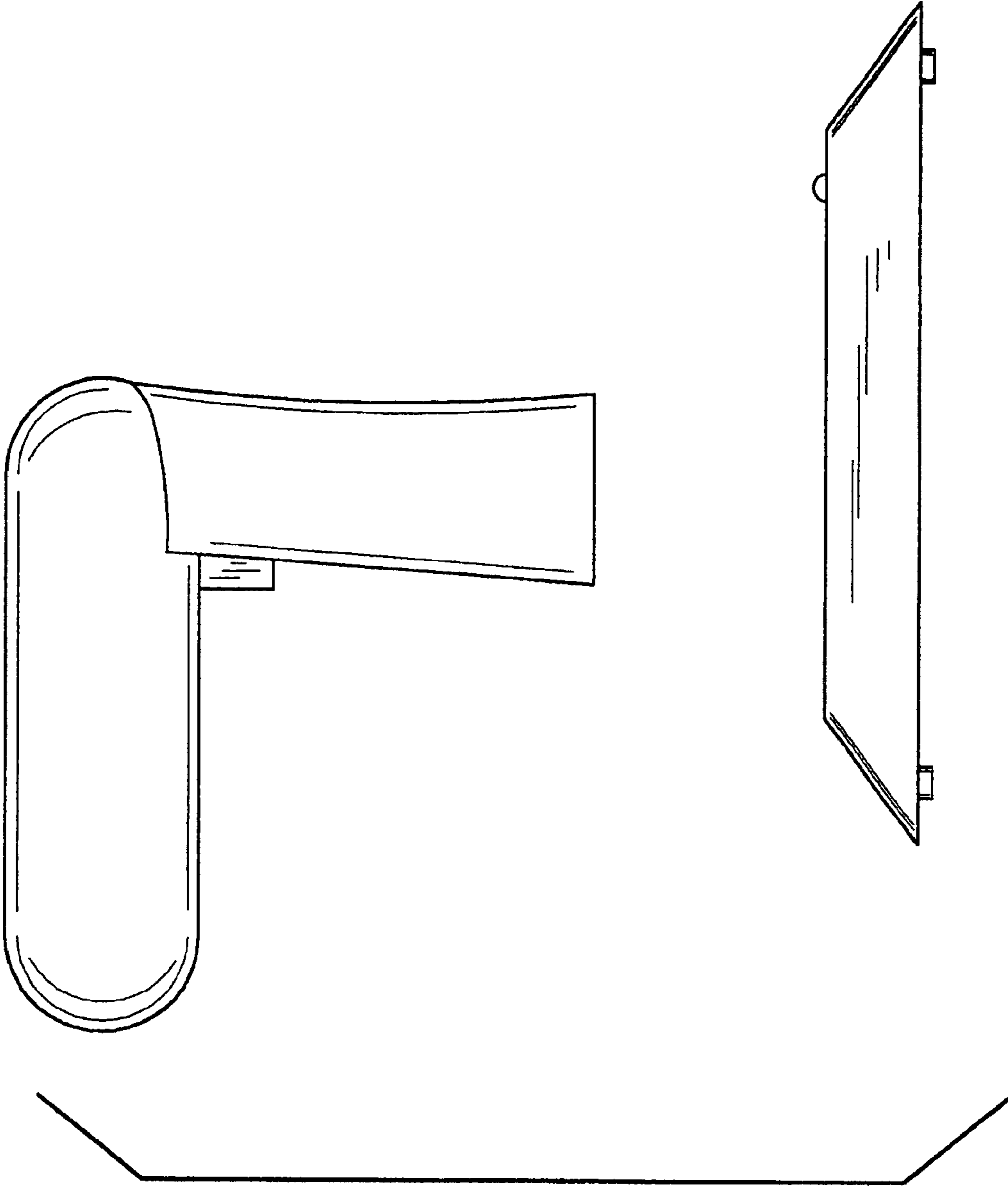
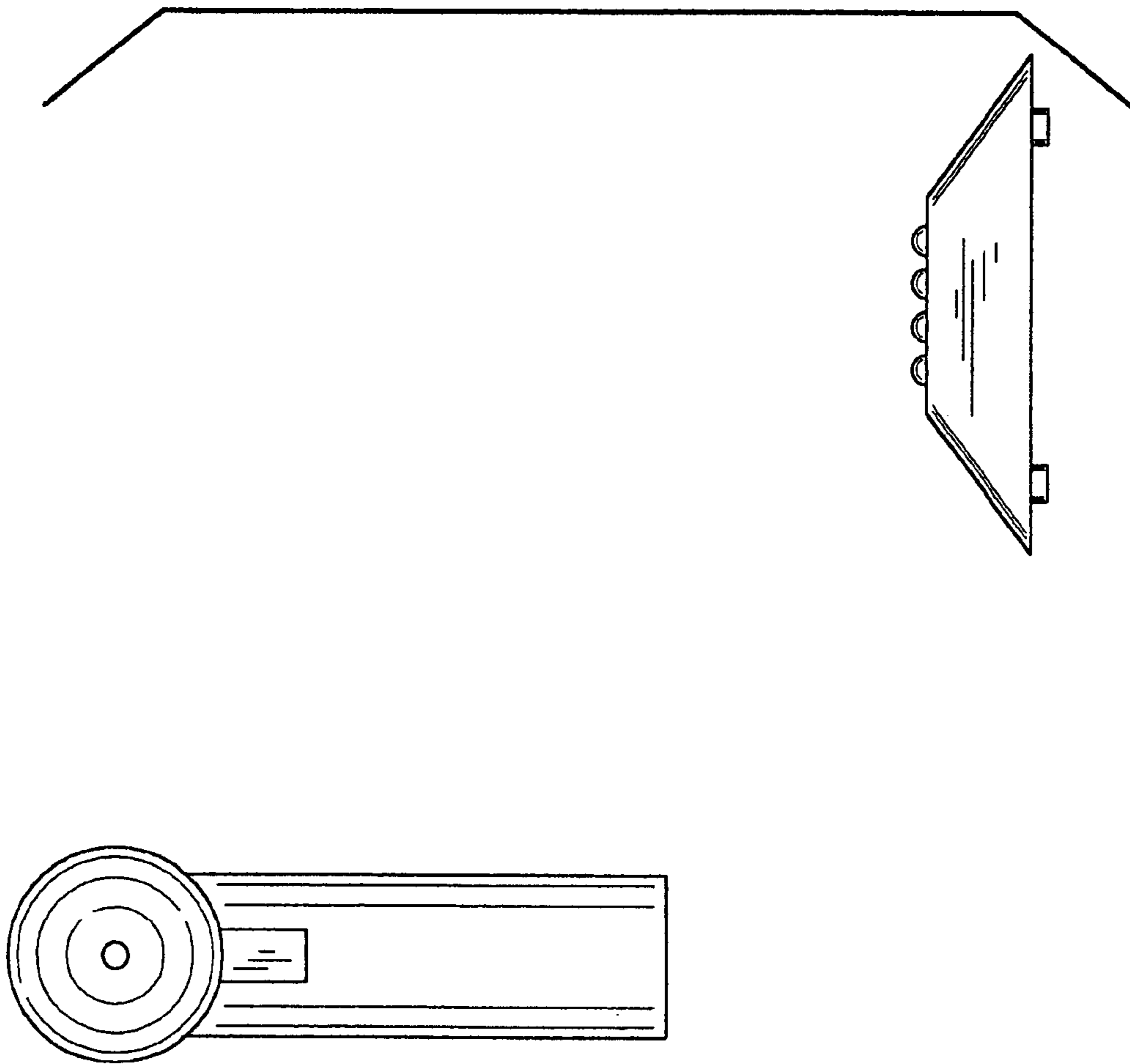


FIG. 1

FIG. 2



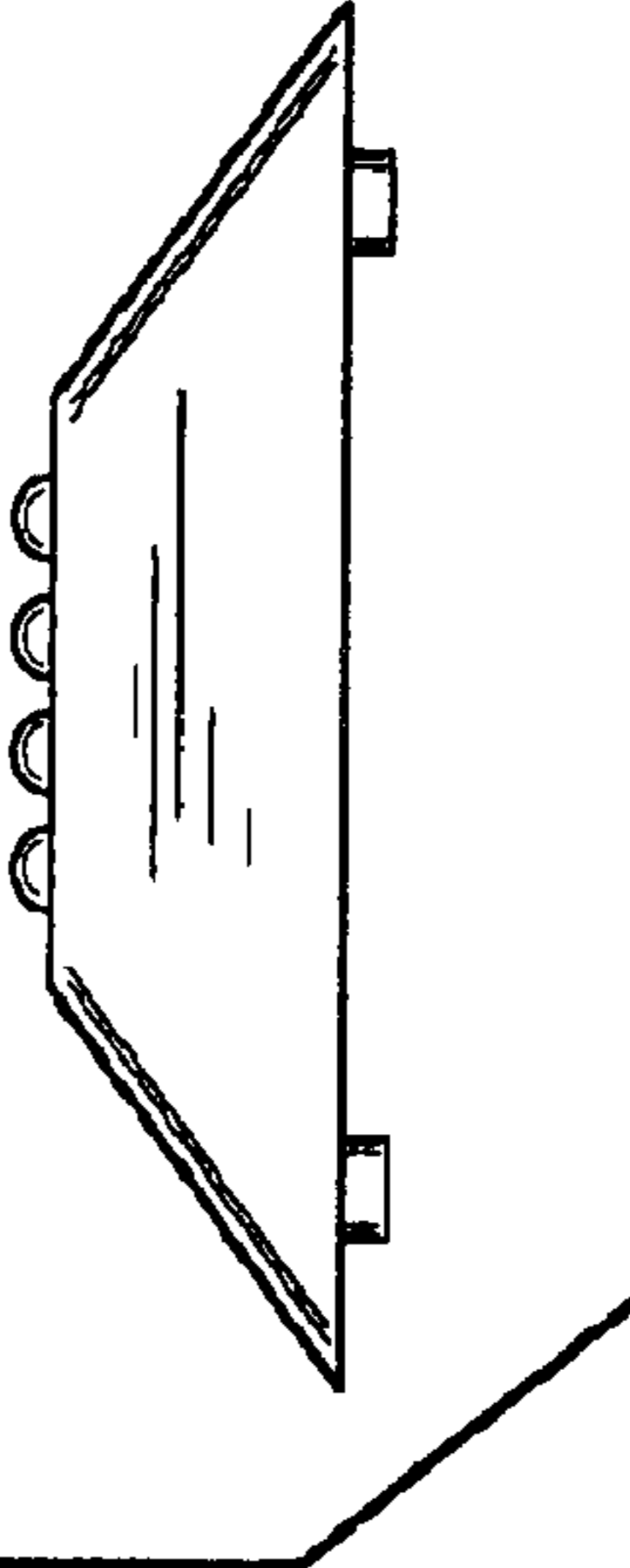
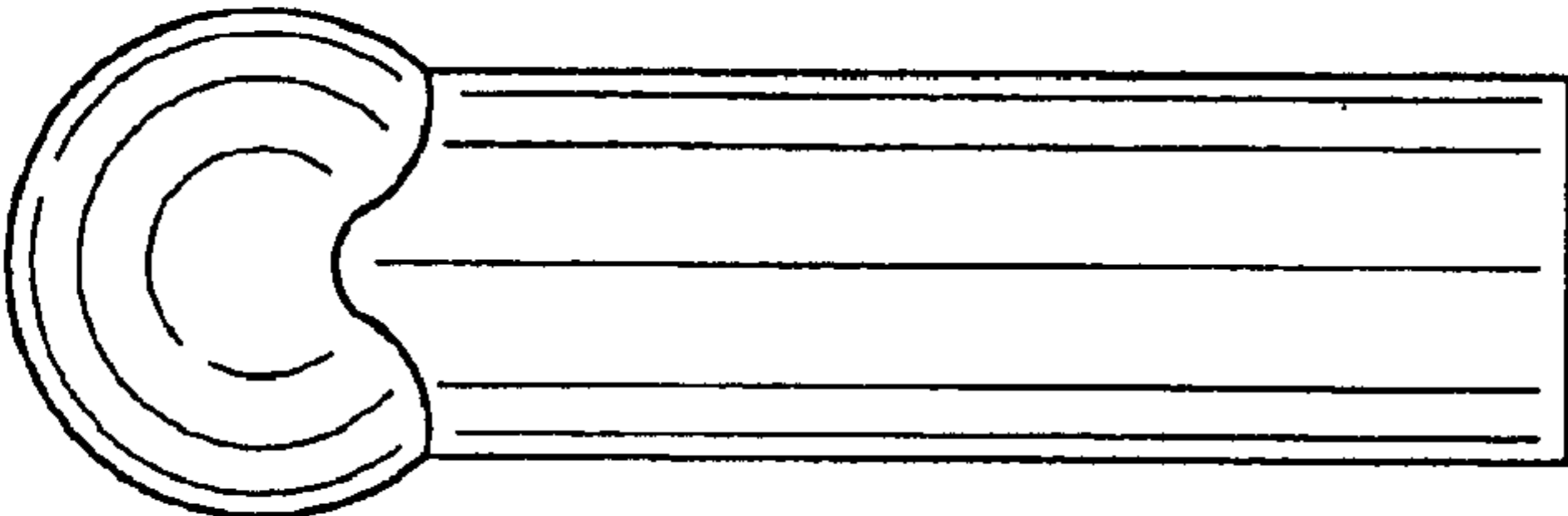


FIG. 3

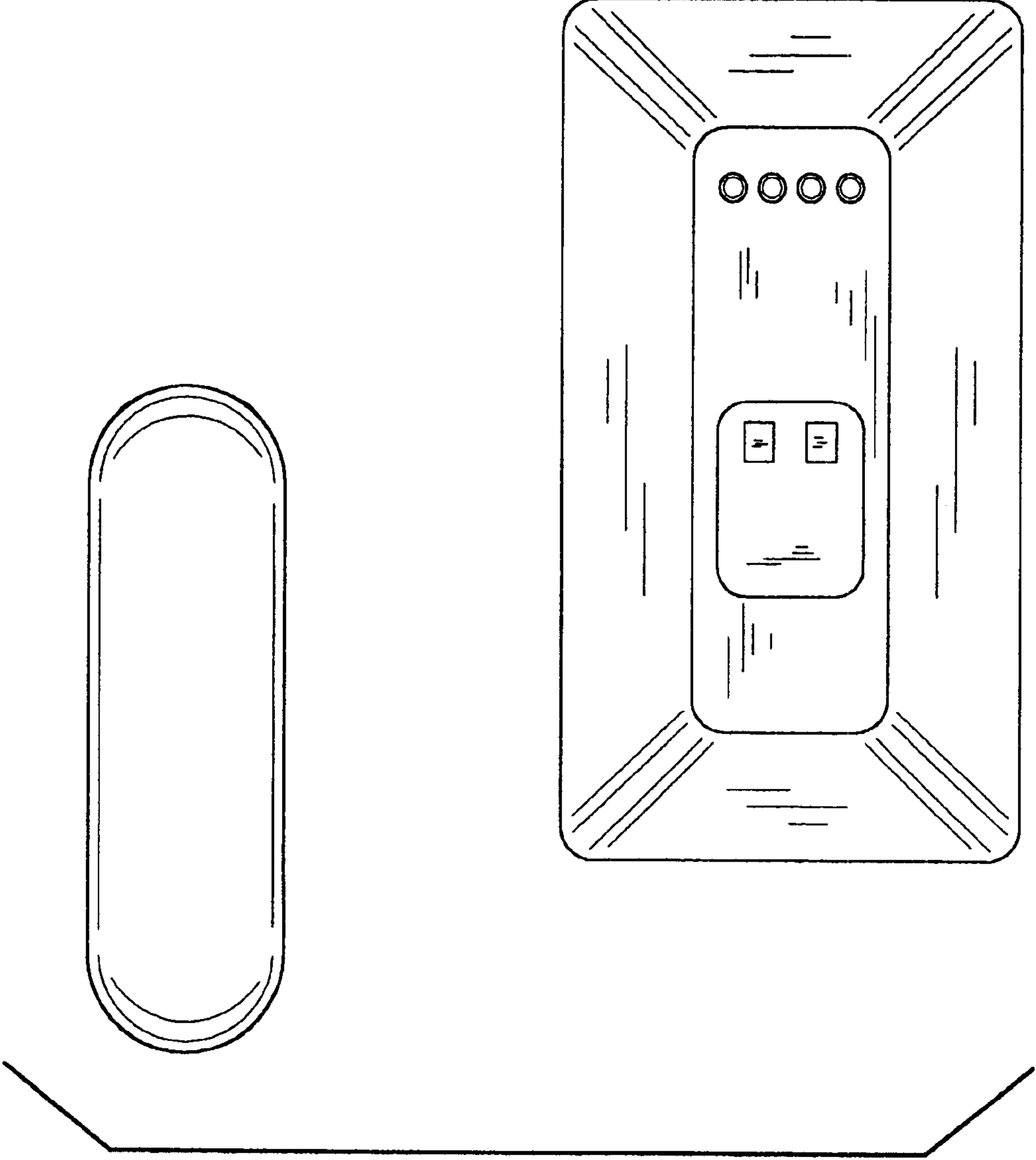


FIG. 4

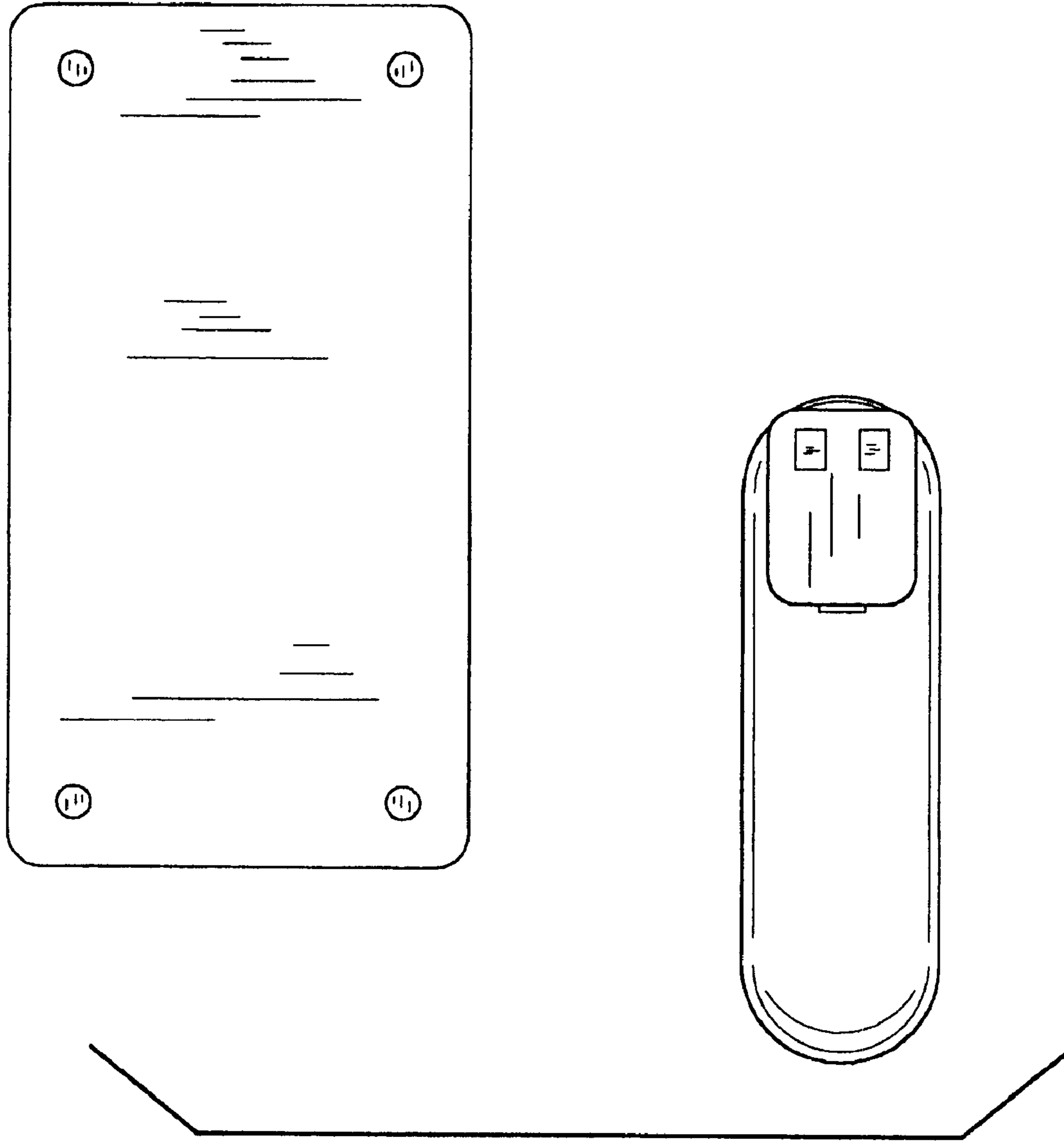


FIG. 5