

US00D506567S

(12) **United States Design Patent**
Ruzicka et al.

(10) **Patent No.:** **US D506,567 S**
(45) **Date of Patent:** **** Jun. 21, 2005**

(54) **HEADLIGHT**

D499,202 S * 11/2004 Tsai D26/139

(76) Inventors: **Randal J. Ruzicka**, 2032 Aldabra,
Eugene, OR (US) 97402; **Jeffrey D. Schloss**, 4396 Hilton Dr., Eugene, OR
(US) 97402

* cited by examiner

Primary Examiner—Marcus A. Jackson
(74) *Attorney, Agent, or Firm*—Robert E. Howard

(**) Term: **14 Years**

(57) **CLAIM**

(21) Appl. No.: **29/208,289**

The ornamental design for a headlight, as shown and described.

(22) Filed: **Jun. 25, 2004**

DESCRIPTION

(51) **LOC (8) Cl.** **26-99**

(52) **U.S. Cl.** **D26/139**

(58) **Field of Search** D26/28-36, 139;
362/61, 80, 80.1, 81, 82, 83, 326, 376

FIG. 1 is a view of our new design taken from the front and right side thereof, a vehicle in which the headlight is installed being shown in broken lines for illustrative purposes only; and,

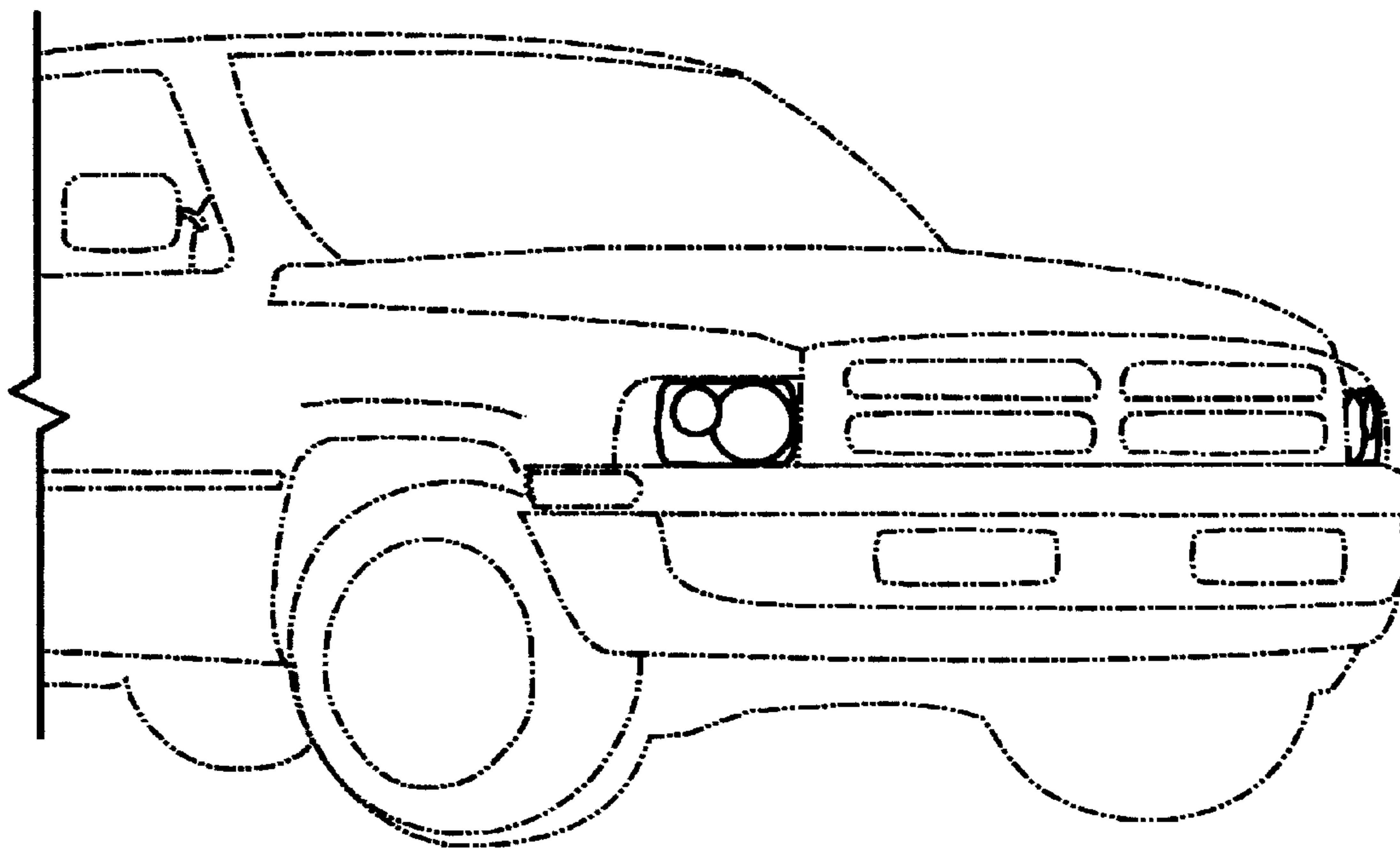
(56) **References Cited**

FIG. 2 is a front elevation view of a right headlight.

U.S. PATENT DOCUMENTS

D485,934 S * 1/2004 Tsai D26/139

1 Claim, 1 Drawing Sheet



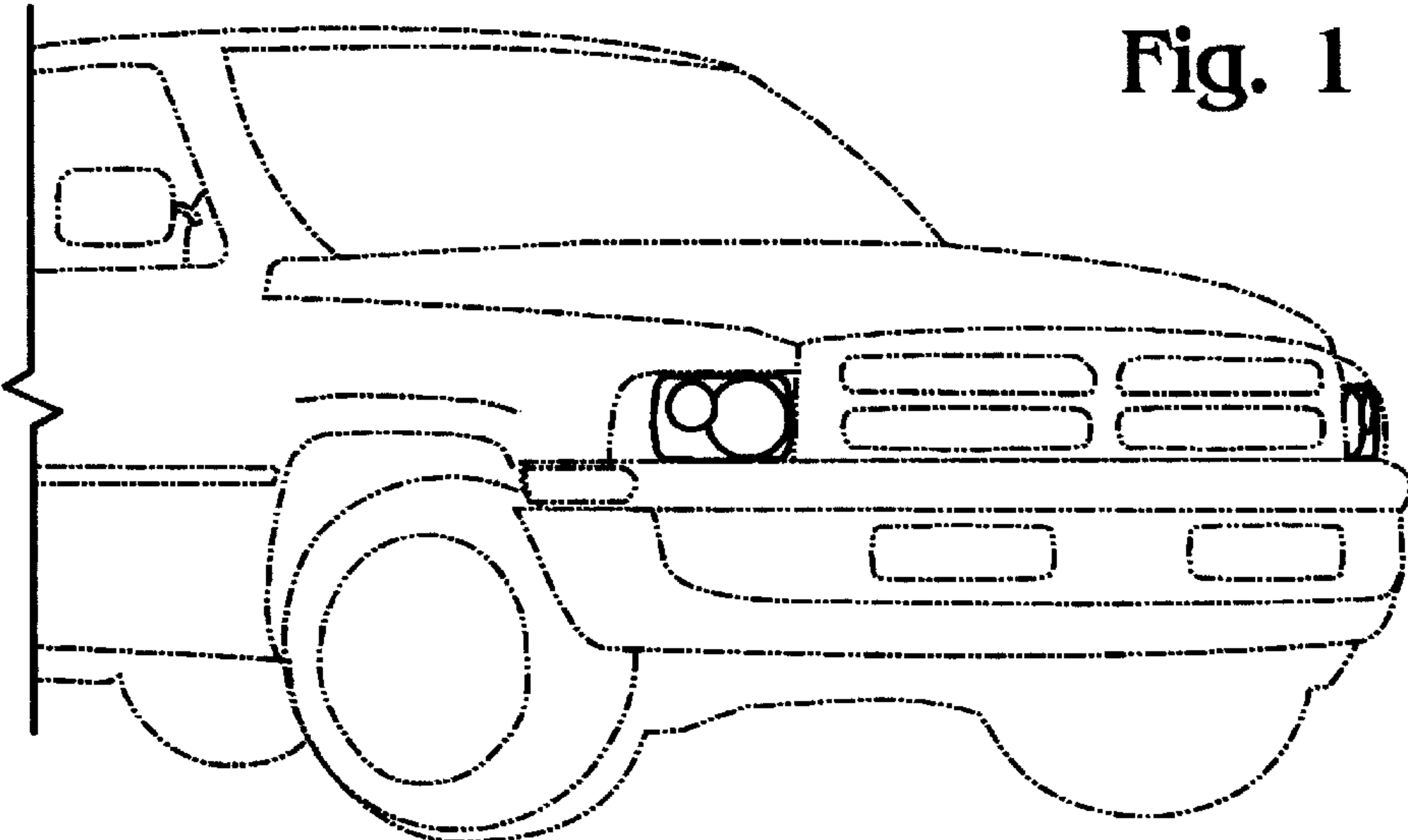


Fig. 1

Fig. 2

