

US00D506564S

(12) **United States Design Patent**  
**Tung**

(10) **Patent No.:** **US D506,564 S**

(45) **Date of Patent:** **\*\* Jun. 21, 2005**

(54) **TABLE LAMP**

D423,136 S \* 4/2000 Hsieh ..... D26/107

(76) **Inventor:** **Dennis Tung**, 1F, No. 17, Lane 165,  
Sec. 4, Hsinglung Rd., Taipei (TW)

\* cited by examiner

*Primary Examiner*—Clare E Heflin

(\*\*) **Term:** **14 Years**

(74) *Attorney, Agent, or Firm*—Dennison, Schultz,  
Dougherty & MacDonald

(21) **Appl. No.:** **29/215,213**

(57) **CLAIM**

(22) **Filed:** **Oct. 18, 2004**

The ornamental design for a table lamp, as shown and  
described.

(51) **LOC (8) Cl.** ..... **26-05**

**DESCRIPTION**

(52) **U.S. Cl.** ..... **D26/65; D26/107**

FIG. 1 is a left side perspective view of a table lamp showing  
my new design;

(58) **Field of Search** ..... D26/61–63, 118,  
D26/93, 107; 362/269, 277, 278, 282, 285,  
287, 288, 410, 413, 418–430, 449

FIG. 2 is a front view thereof;

FIG. 3 is a rear view thereof;

FIG. 4 is a left side view thereof;

FIG. 5 is a right side view thereof;

FIG. 6 is a top view thereof; and,

FIG. 7 is a bottom view thereof.

(56) **References Cited**

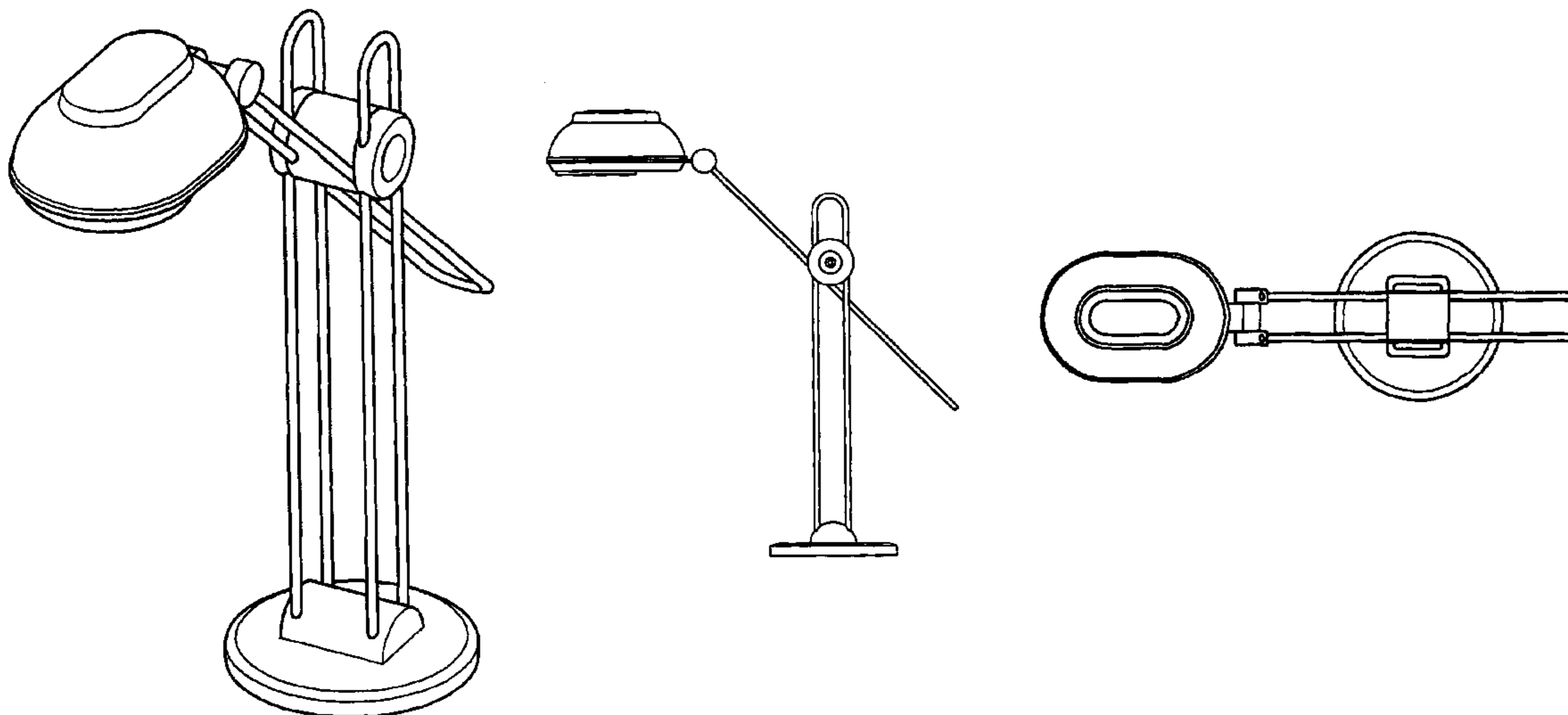
**U.S. PATENT DOCUMENTS**

D269,297 S \* 6/1983 Lebowitz ..... D26/65

D347,290 S \* 5/1994 Lam ..... D26/63

D417,924 S \* 12/1999 Chen ..... D26/65

**1 Claim, 5 Drawing Sheets**



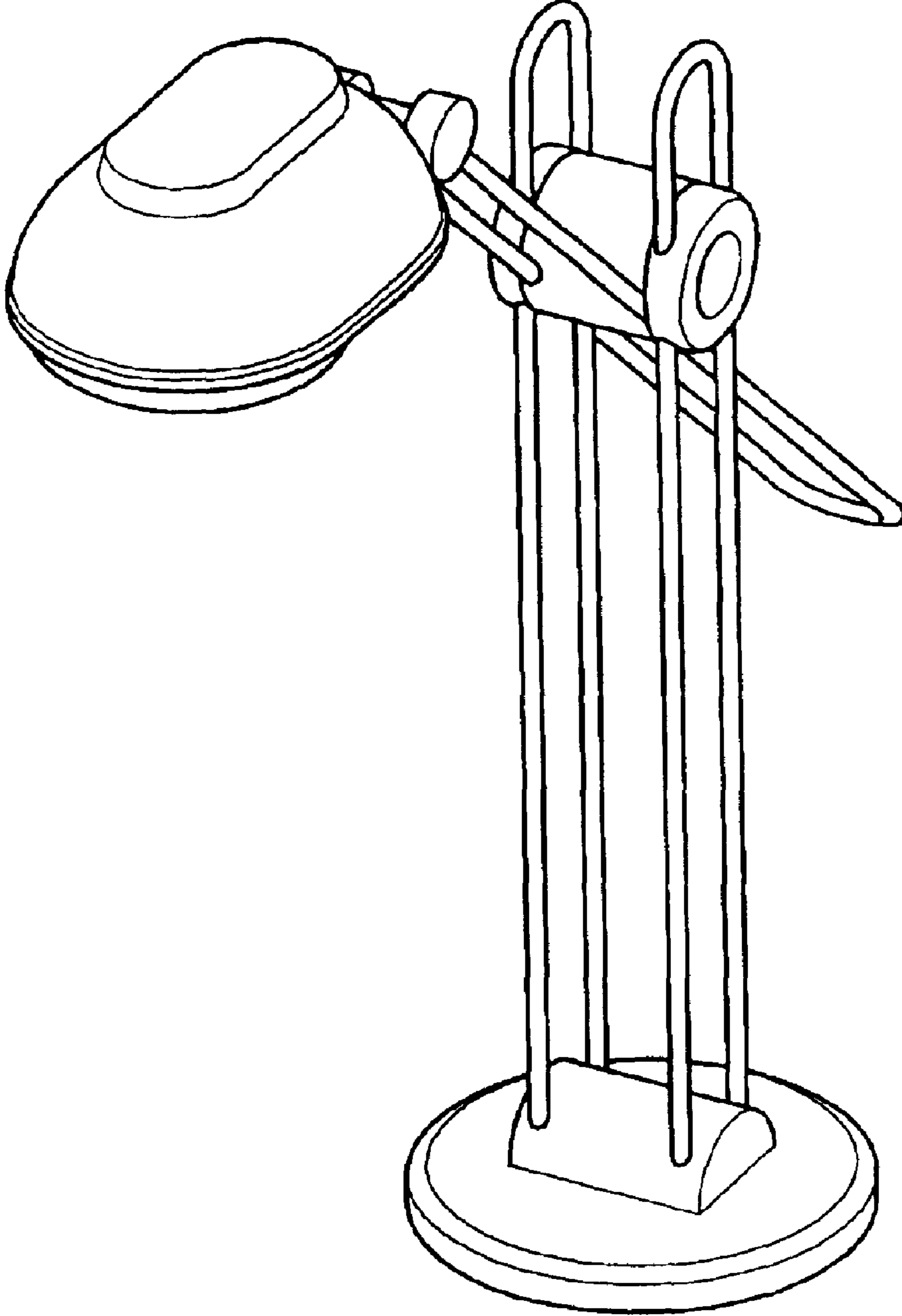


FIG. 1

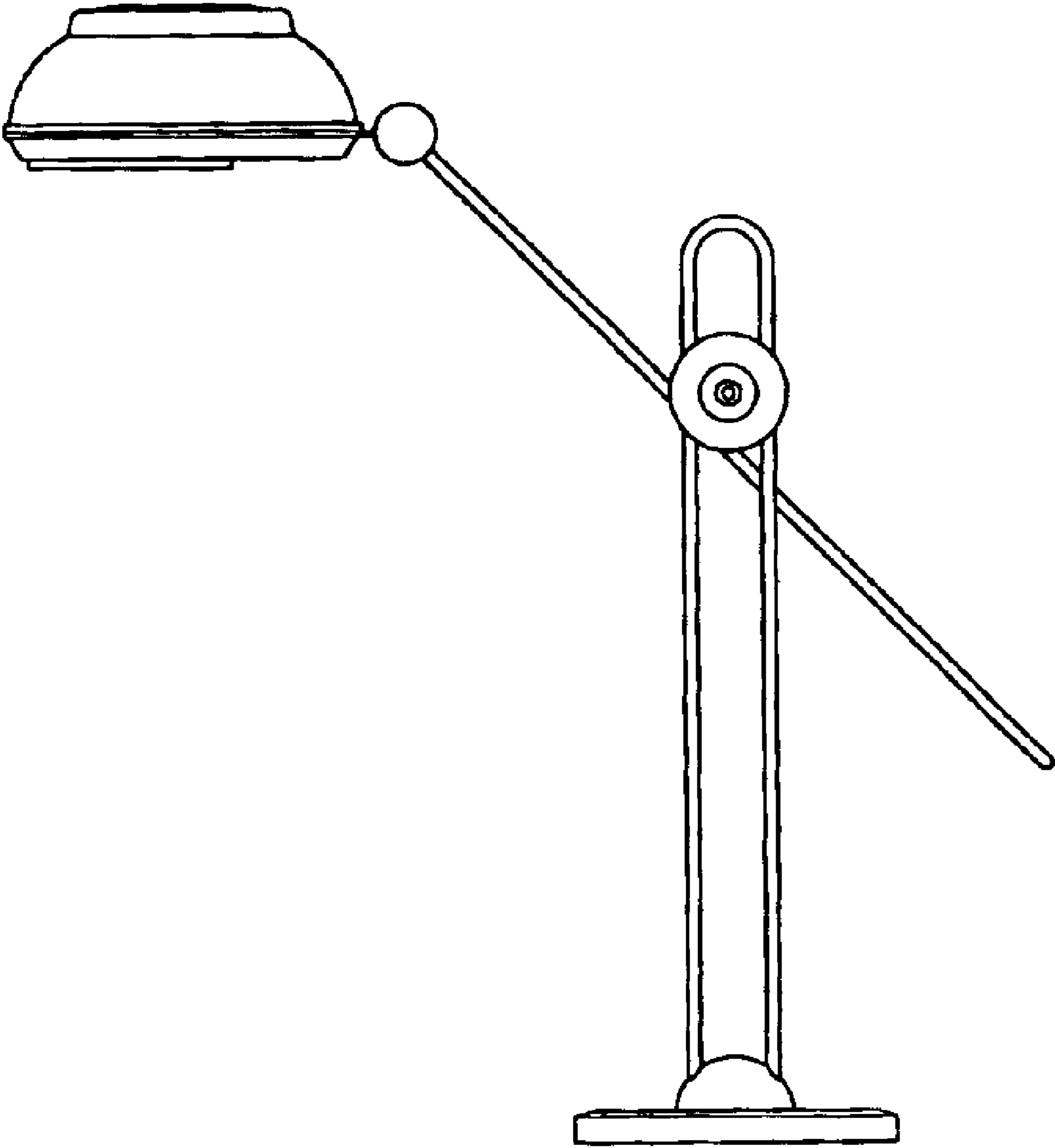


FIG. 2

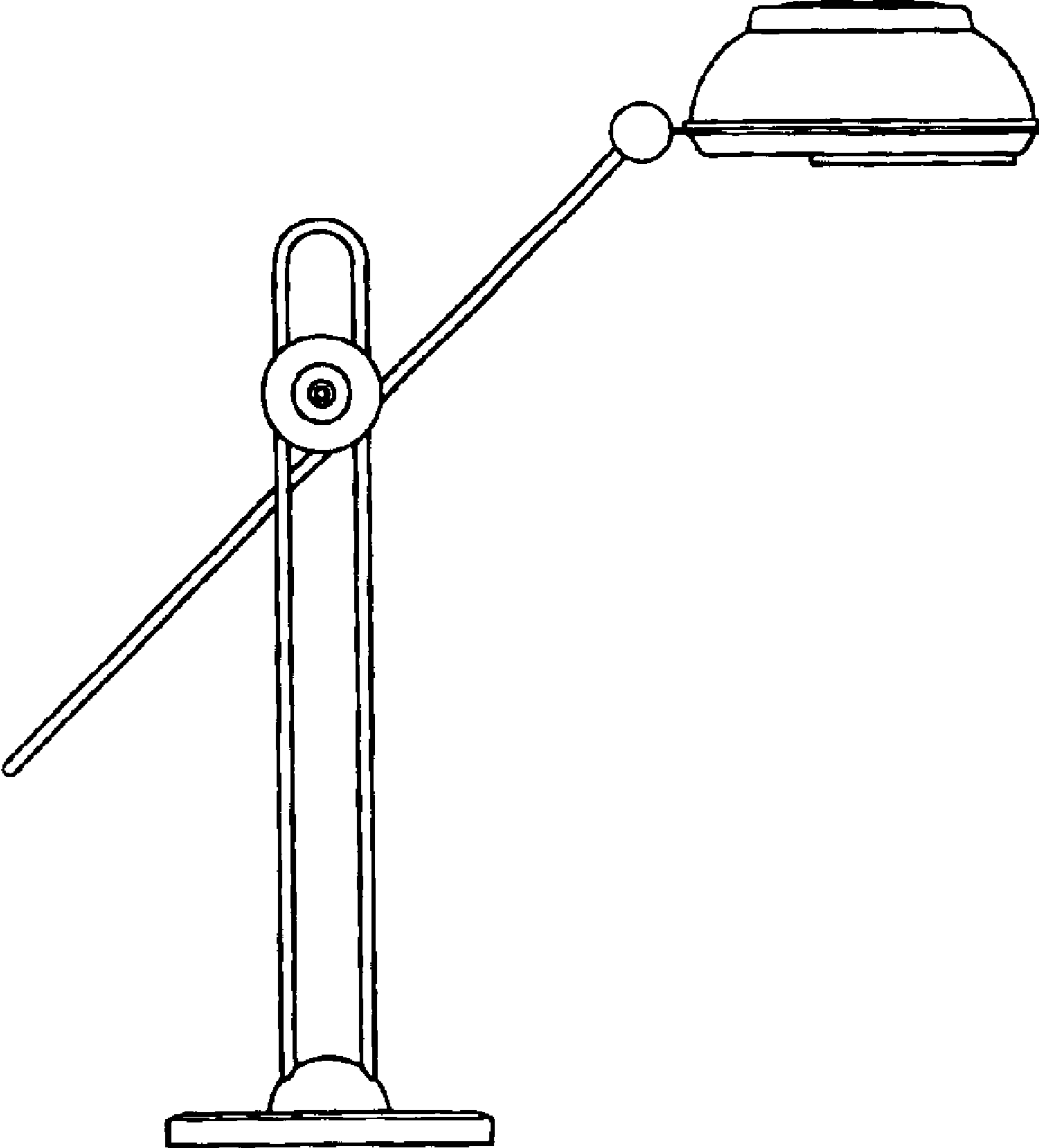


FIG. 3

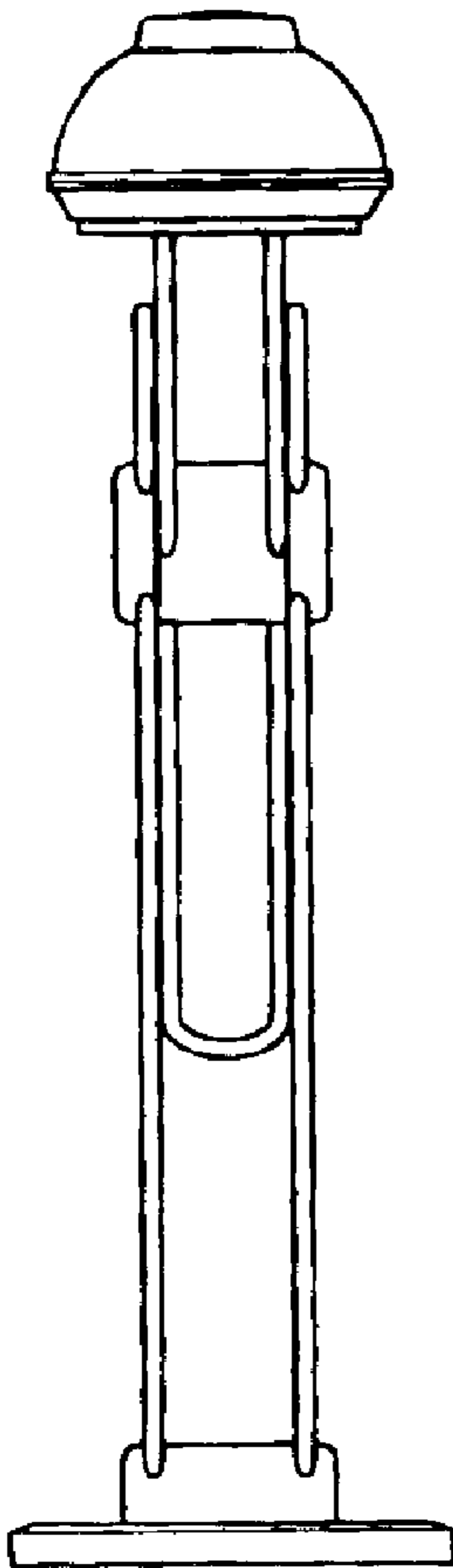


FIG. 4

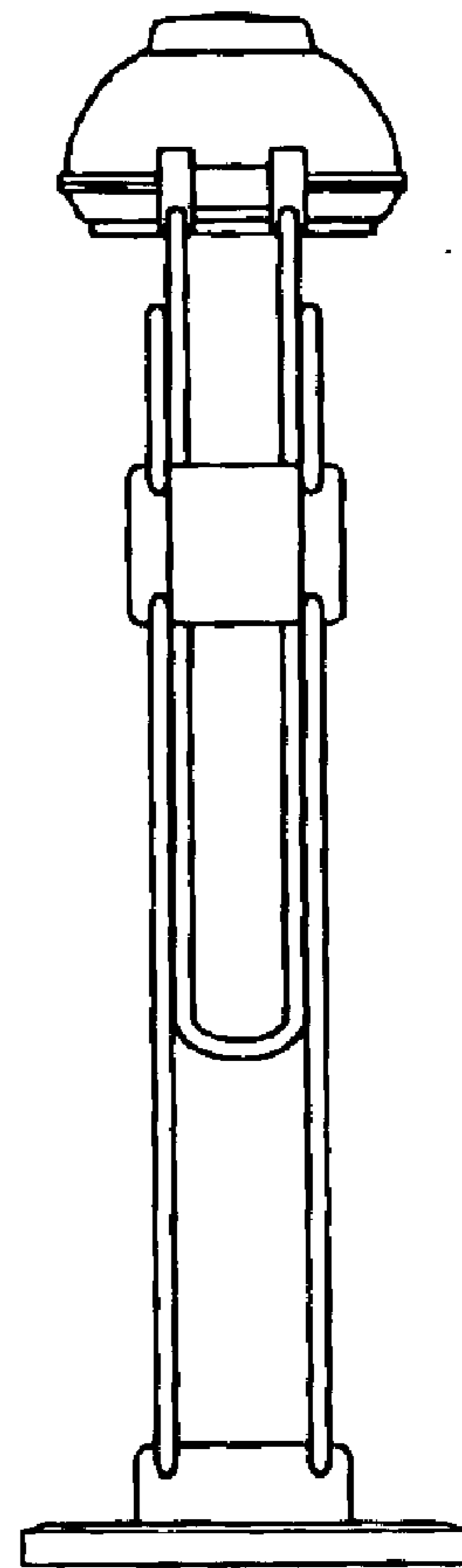


FIG. 5

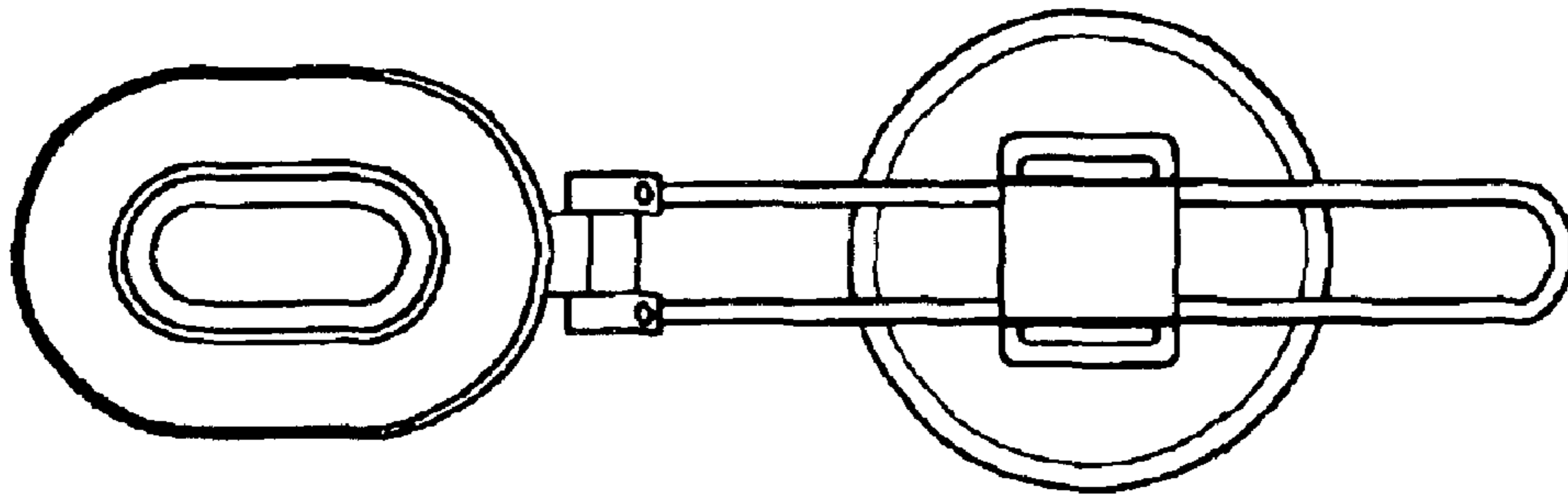


FIG. 6

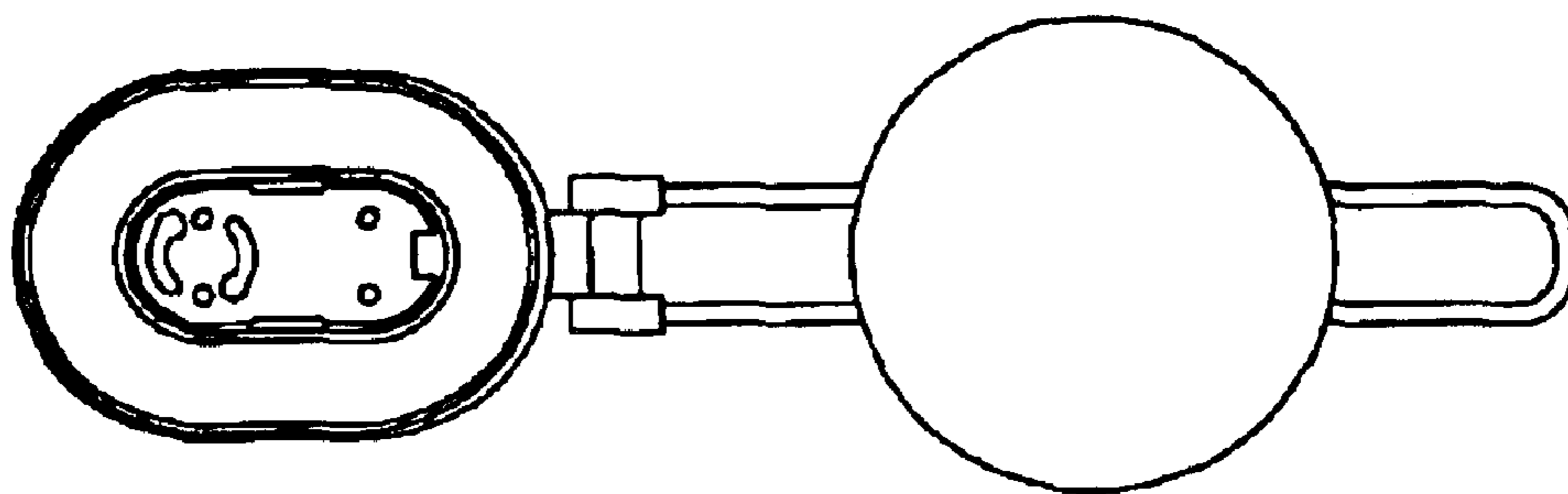


FIG. 7