



US00D506563S

(12) **United States Design Patent**
Campo

(10) **Patent No.:** **US D506,563 S**
(45) **Date of Patent:** **** Jun. 21, 2005**

(54) **GOOSE NECK LAMP**

(75) Inventor: **Tom Campo**, North Andover, MA (US)

(73) Assignee: **Tensor Corporation**, Chelsea, MA (US)

(**) Term: **14 Years**

(21) Appl. No.: **29/201,915**

(22) Filed: **Mar. 23, 2004**

(51) **LOC (8) Cl.** **26-05**

(52) **U.S. Cl.** **D26/62; D26/118**

(58) **Field of Search** D26/61-63, 118,
D26/93, 107; 362/269, 277, 278, 282, 285,
287, 288, 410, 413, 418-430, 449

(56) **References Cited**

U.S. PATENT DOCUMENTS

D209,078 S	*	10/1967	Andre	D26/107
3,711,695 A	*	1/1973	Orbach	362/410
D390,990 S	*	2/1998	Yang	D26/62
D409,779 S	*	5/1999	Schaak et al.	D26/62
D412,594 S	*	8/1999	Benghozi	D26/107
D479,623 S	*	9/2003	Fu	D26/118

D493,242 S * 7/2004 Chen D26/62

* cited by examiner

Primary Examiner—Clare E Heflin

(74) *Attorney, Agent, or Firm*—Todd S. Parkhurst; Holland & Knight

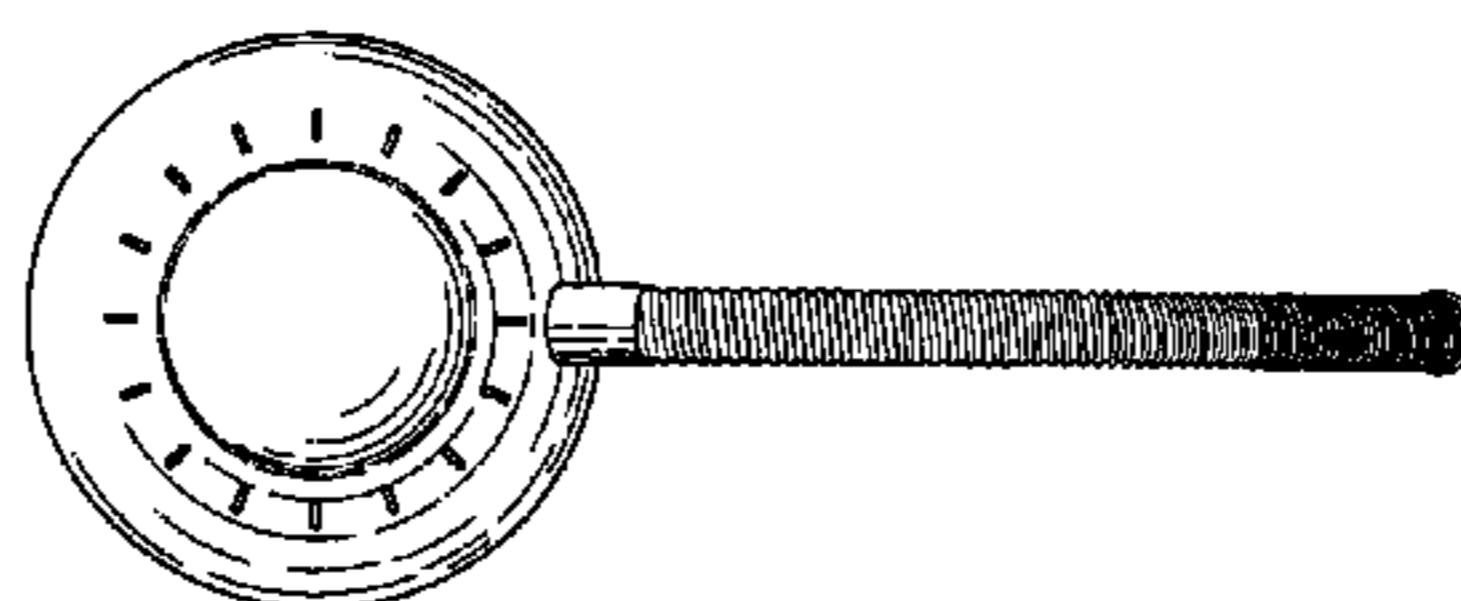
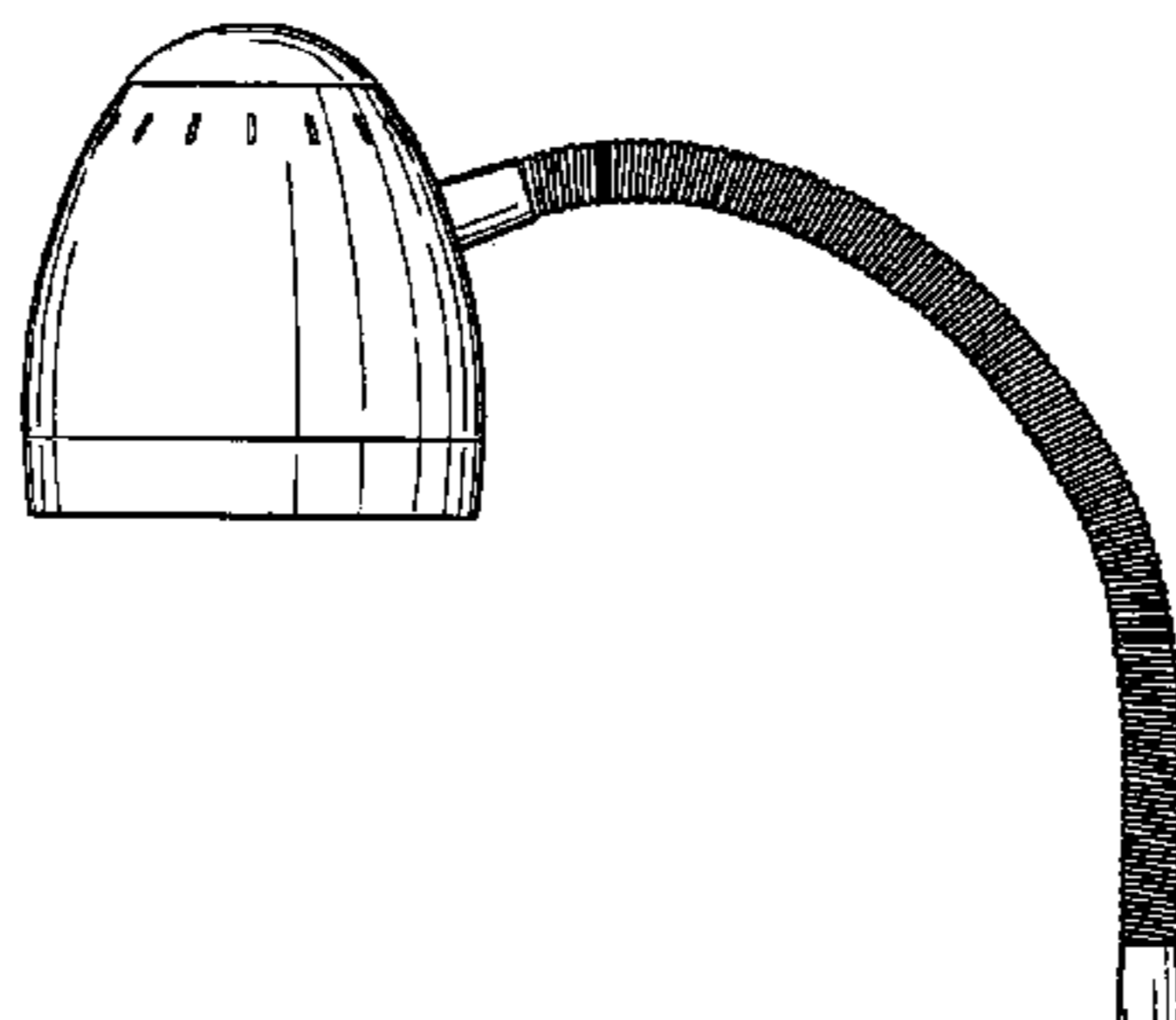
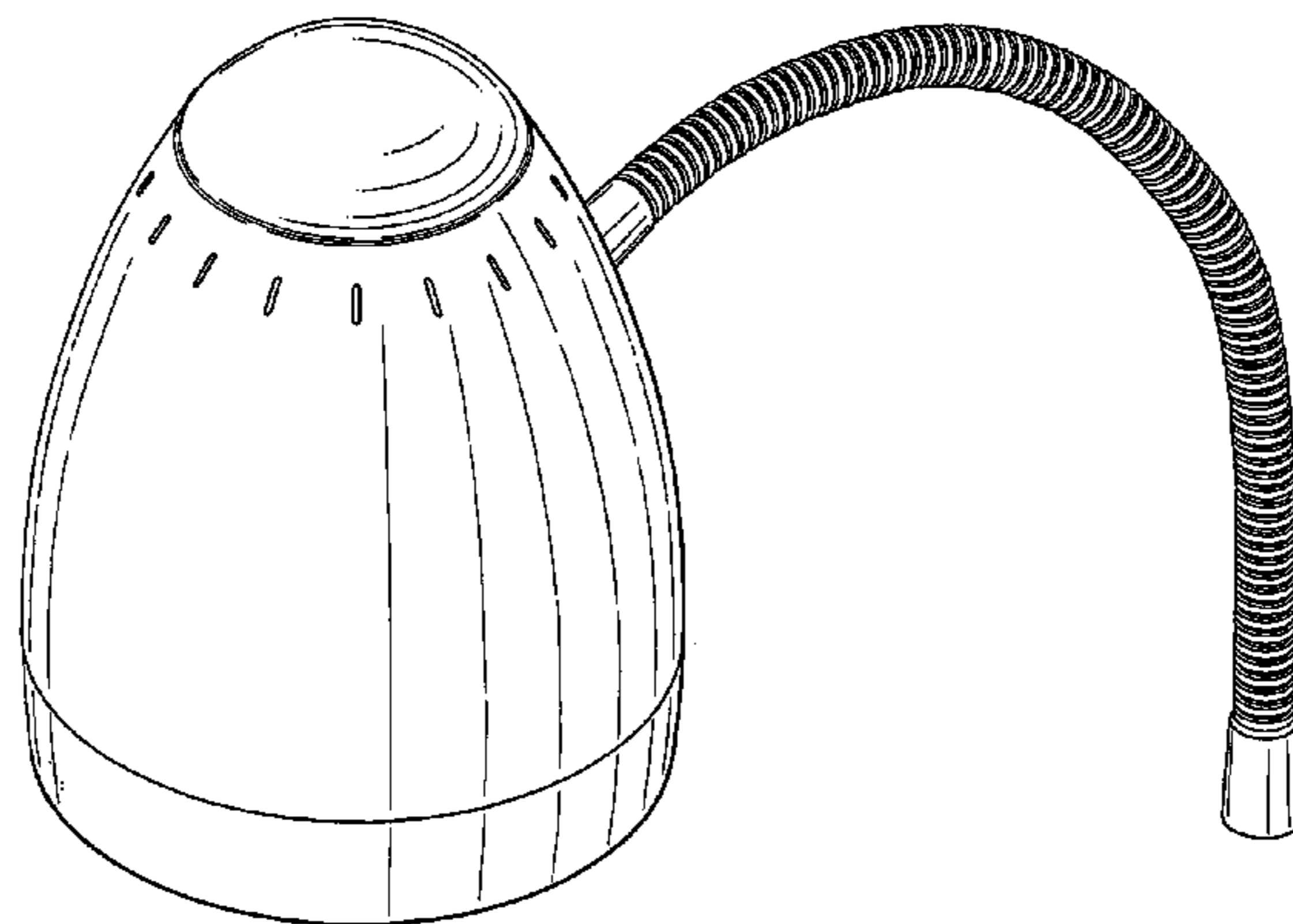
(57) **CLAIM**

I claim the ornamental design for a goose neck lamp, as shown.

DESCRIPTION

FIG. 1 is an isometric view of the novel lamp design.
 FIG. 2 is a right elevational view of the lamp shown in FIG. 1.
 FIG. 3 is a left elevational view of the lamp shown in FIGS. 1 and 2.
 FIG. 4 is a rear elevational view of the lamp shown in FIGS. 1-3.
 FIG. 5 is a front elevational view of the lamp shown in FIGS. 1-4.
 FIG. 6 is a top plan view of the lamp shown in FIGS. 1-5; and,
 FIG. 7 is a bottom plan view of the lamp shown in FIGS. 1-6.

1 Claim, 4 Drawing Sheets



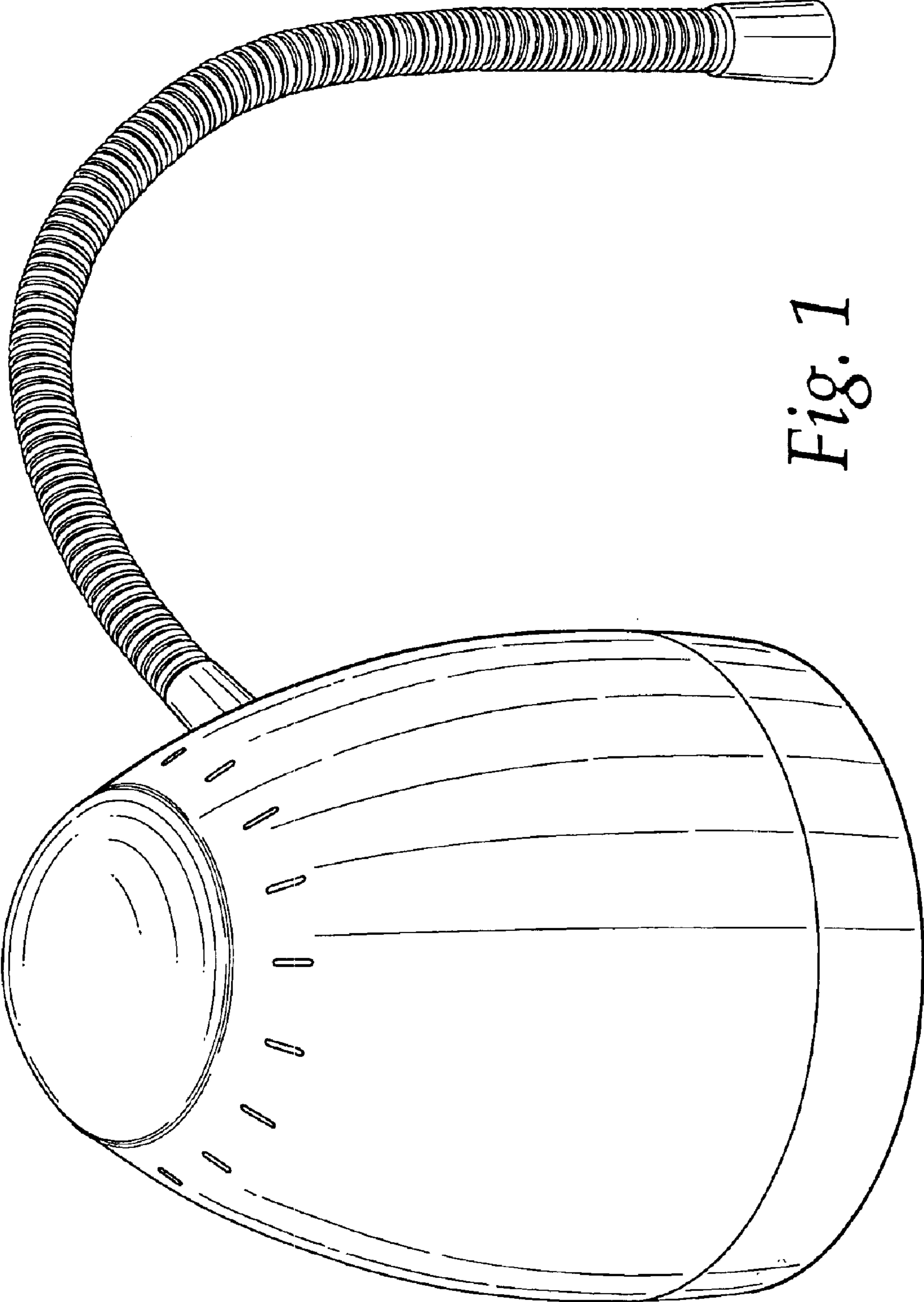


Fig. 1

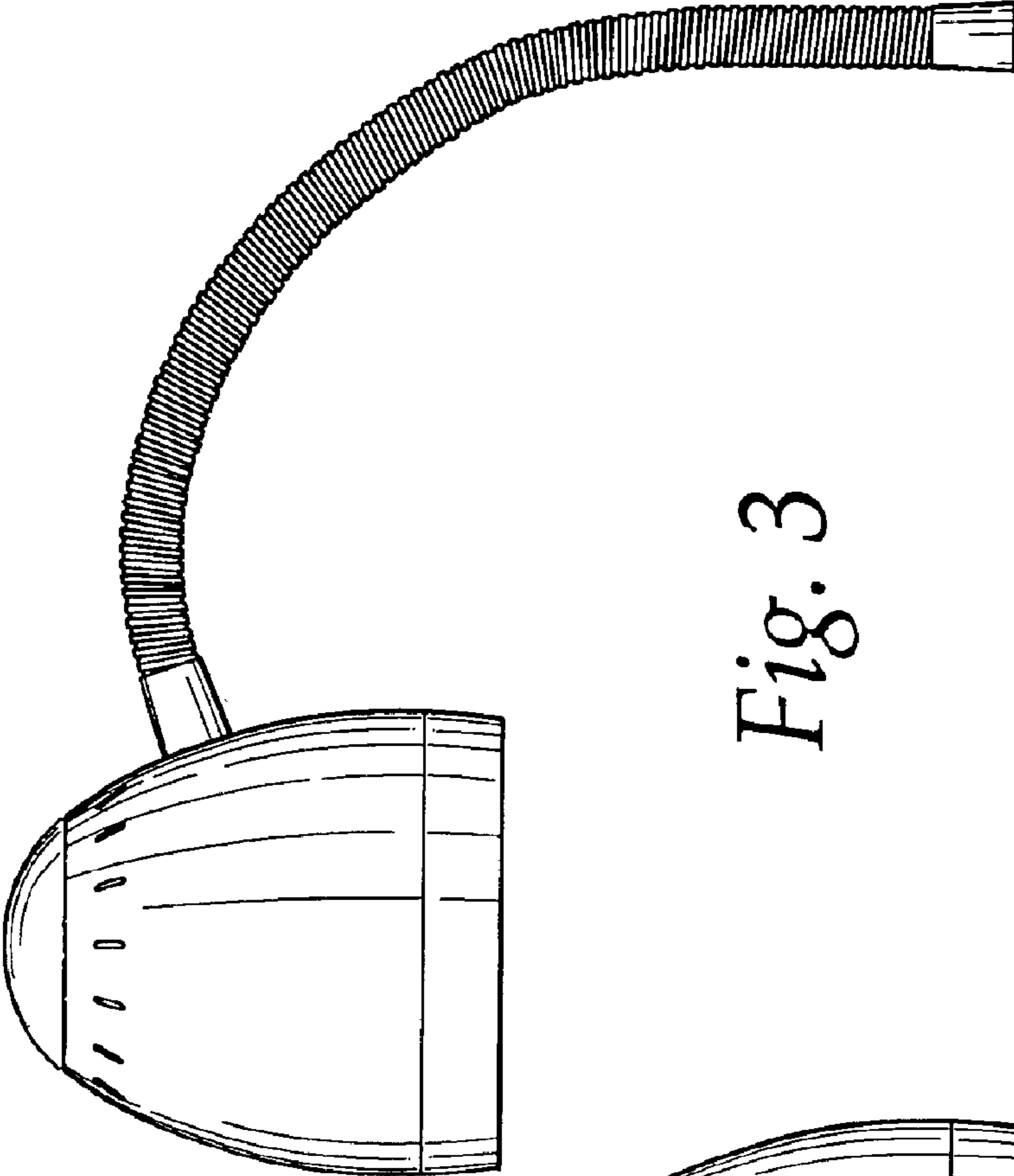


Fig. 3

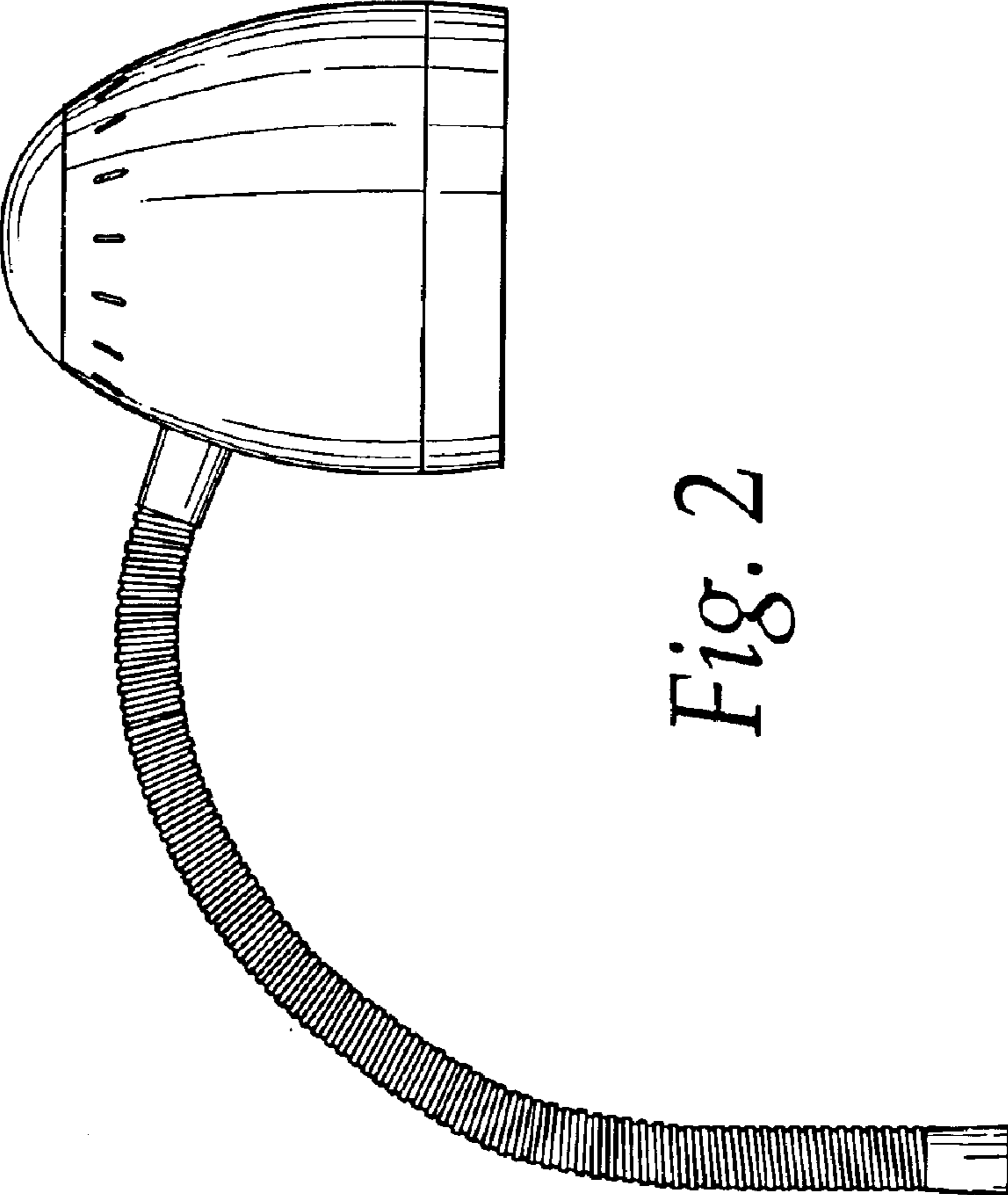


Fig. 2

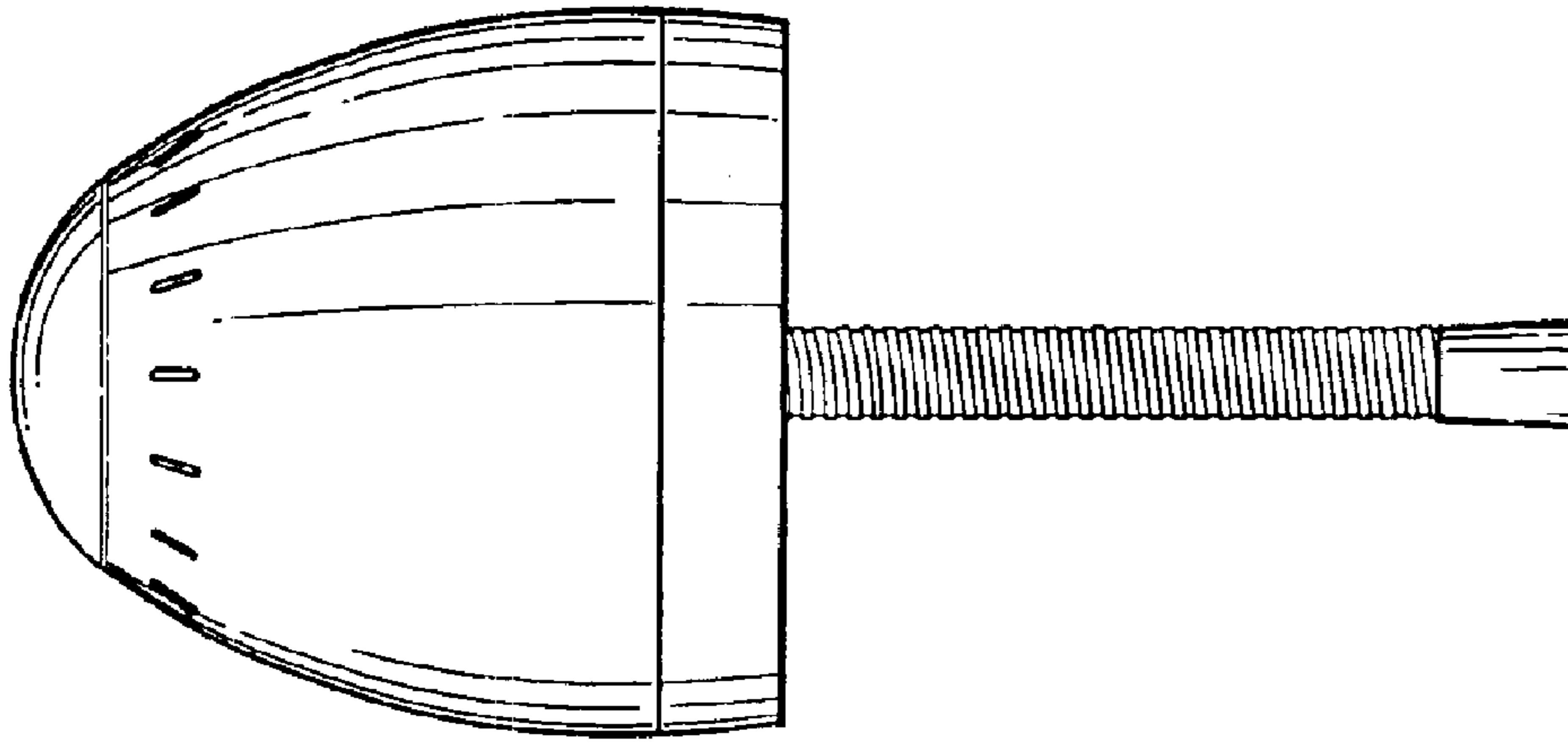


Fig. 5

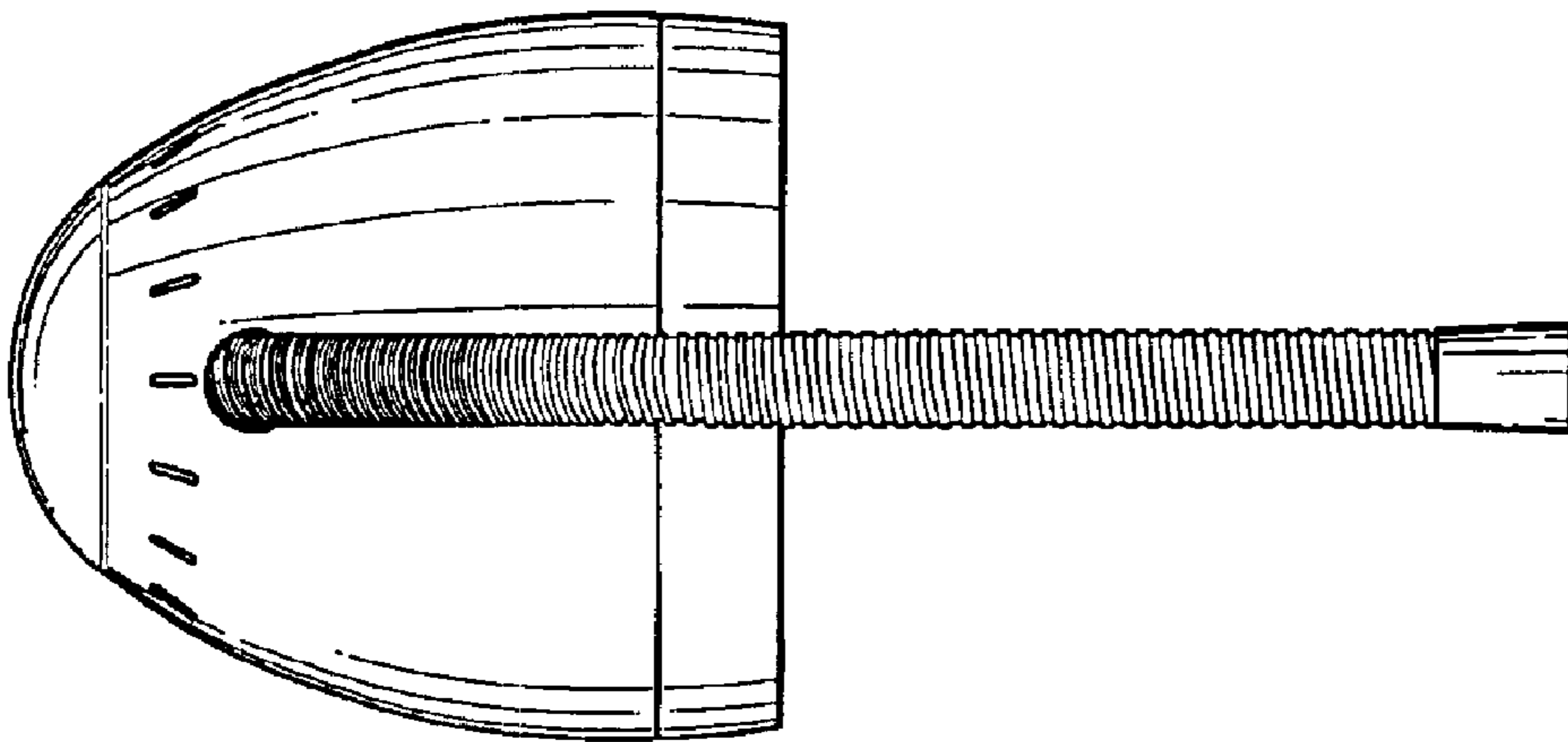


Fig. 4

Fig. 6

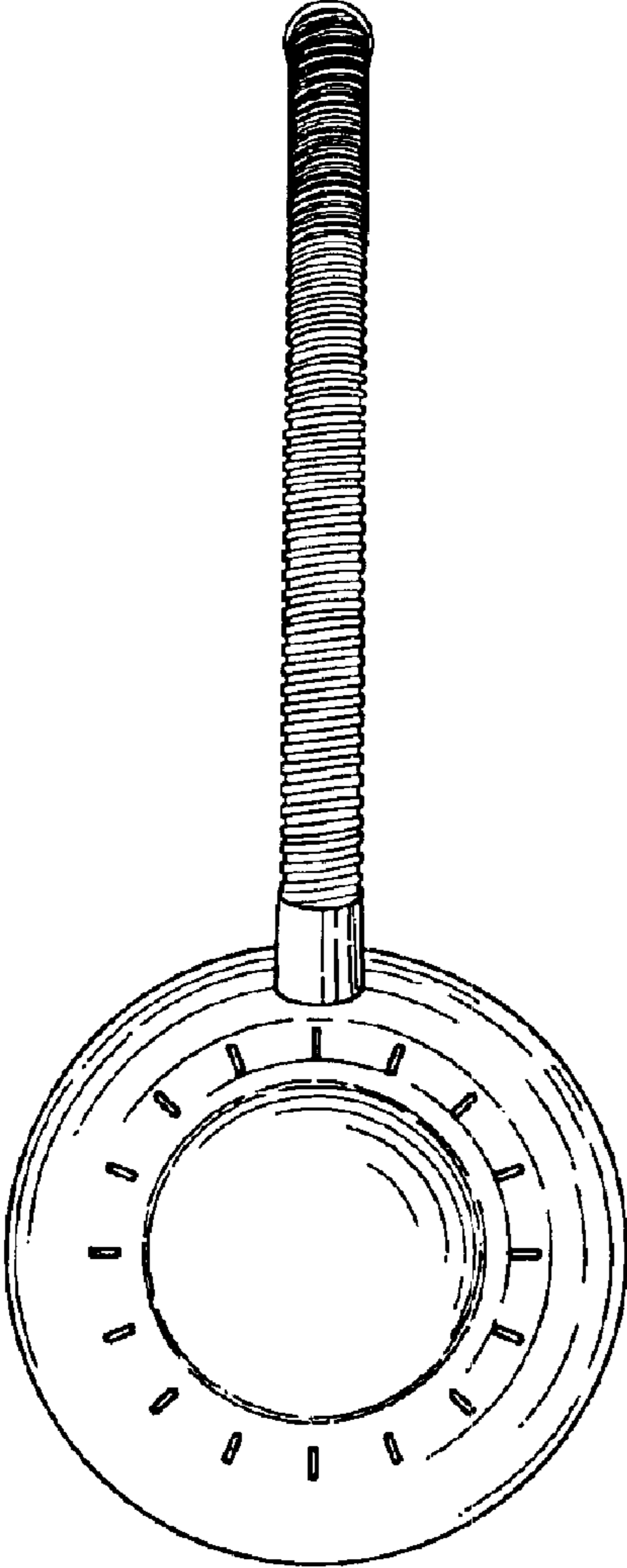


Fig. 7

