

US00D506561S

(12) **United States Design Patent**  
**Tonneson**

(10) **Patent No.: US D506,561 S**

(45) **Date of Patent: \*\* Jun. 21, 2005**

(54) **PURSE LIGHT**

(76) Inventor: **Coreen L. Tonneson**, 15 Tyler Rd.,  
Beverly, MA (US) 01915

(\*\*) Term: **14 Years**

(21) Appl. No.: **29/213,219**

(22) Filed: **Sep. 15, 2004**

(51) **LOC (8) Cl. .... 26-02**

(52) **U.S. Cl. .... D26/47**

(58) **Field of Search .... D26/37-50; 362/157,**  
362/158, 171-174, 183-208

(56) **References Cited**

**U.S. PATENT DOCUMENTS**

4,912,611 A	3/1990	Lyle	
D332,150 S	12/1992	Diorio	
D340,306 S	* 10/1993	Freind et al. ....	D26/47
D358,676 S	5/1995	Roberts et al.	
D361,855 S	8/1995	Jones et al.	
D455,854 S	* 4/2002	Smith .....	D26/37
D463,053 S	* 9/2002	Maskell et al. ....	D26/47
6,447,142 B1	9/2002	Weir	

D477,889 S \* 7/2003 Coles et al. .... D26/47

\* cited by examiner

*Primary Examiner*—Marcus A. Jackson

(74) *Attorney, Agent, or Firm*—Joseph R. Birkner

(57) **CLAIM**

The ornamental design for a purse light, as shown and described.

**DESCRIPTION**

FIG. 1 is a front elevation view of a purse light showing my new design;

FIG. 2 is a rear elevation view thereof;

FIG. 3 is a right side elevation view thereof;

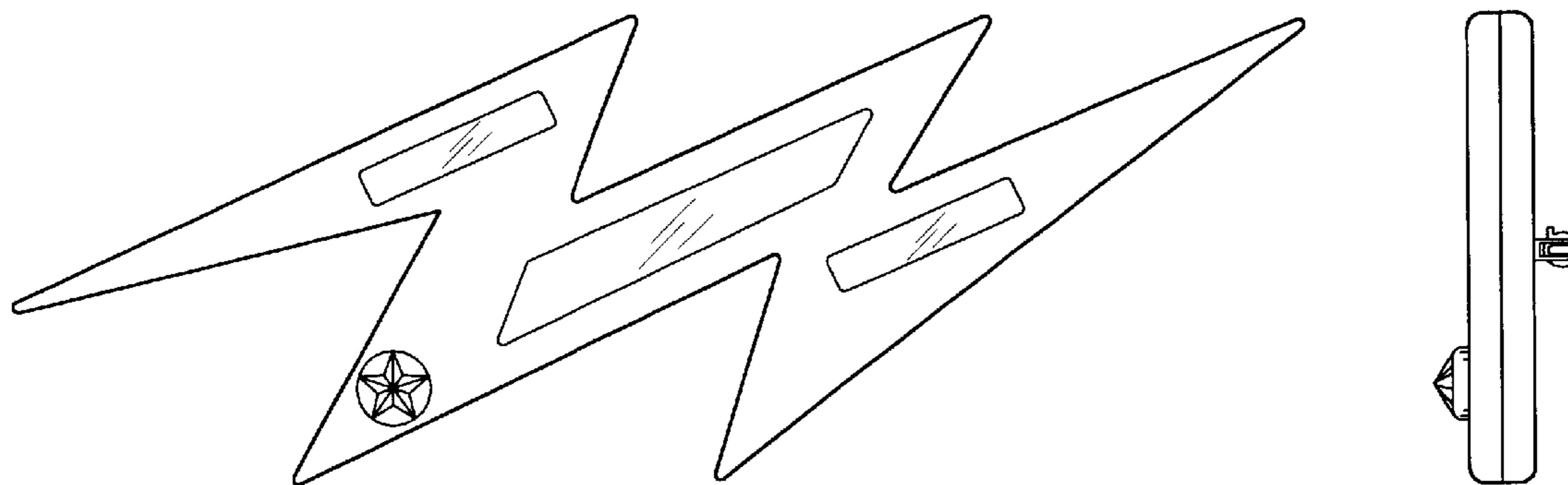
FIG. 4 is a top plan view thereof;

FIG. 5 is a bottom plan view thereof;

FIG. 6 is a left side elevation view thereof; and,

FIG. 7 is a view of the purse light invention showing a use thereof as mounted on an interior portion of a purse. The broken line showing the profile of the purse and the broken line indicating illumination of the purse light are for illustrative purposes only and form no part of the claimed design.

**1 Claim, 2 Drawing Sheets**



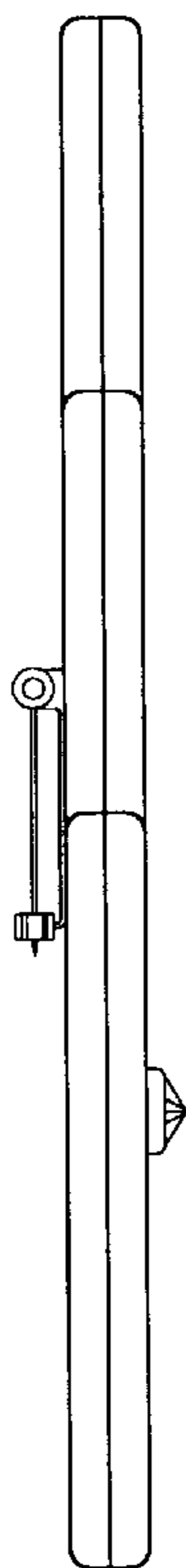


FIG. 4

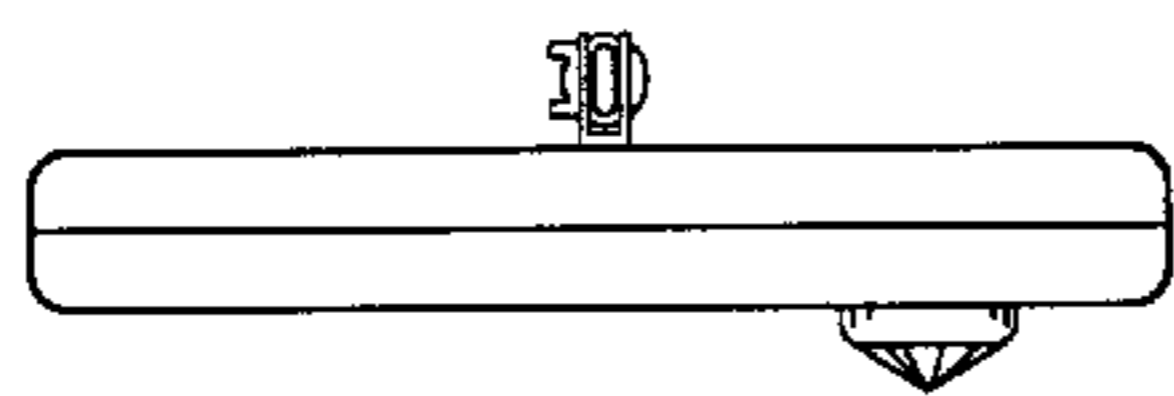


FIG. 3

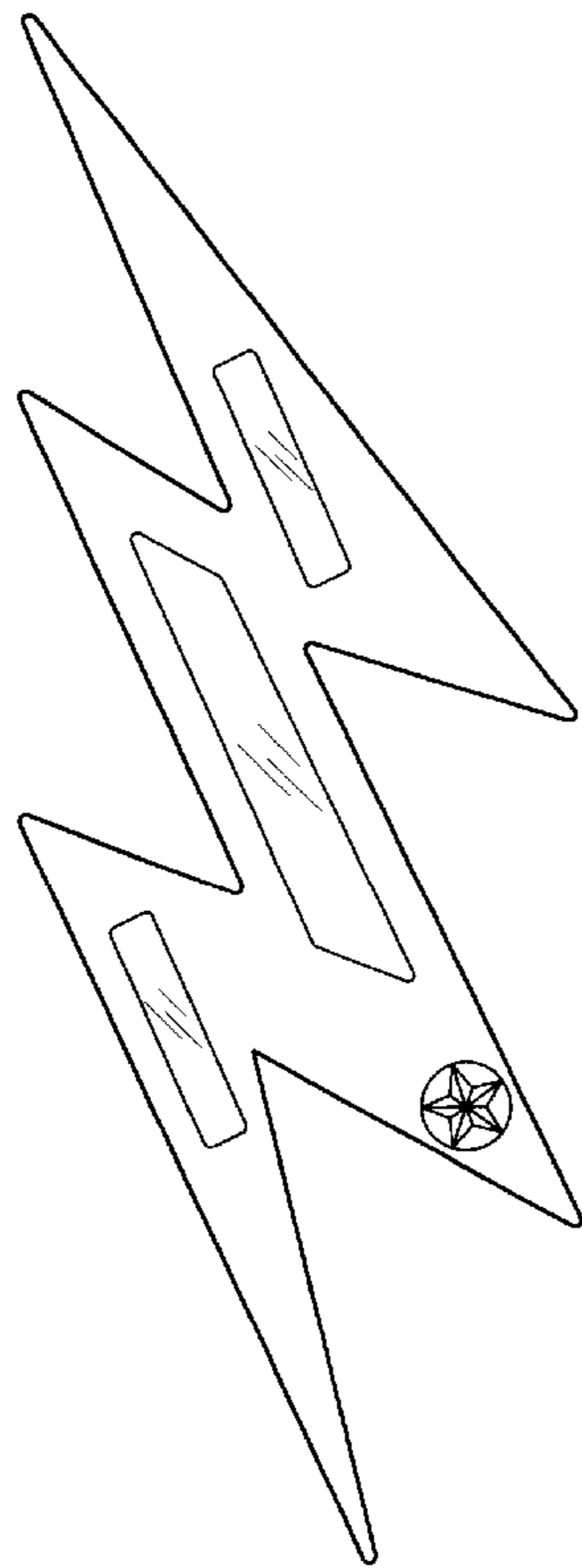


FIG. 1

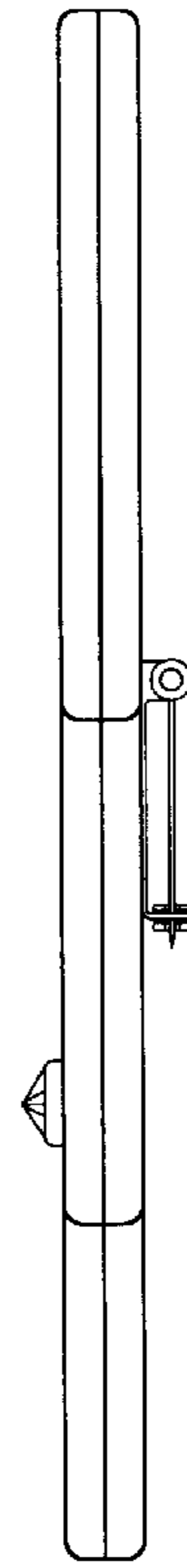


FIG. 5

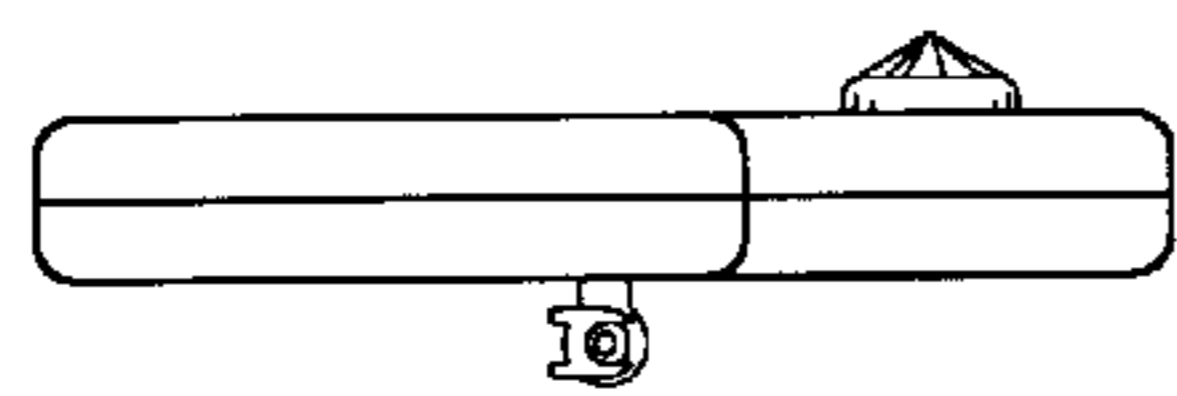


FIG. 6

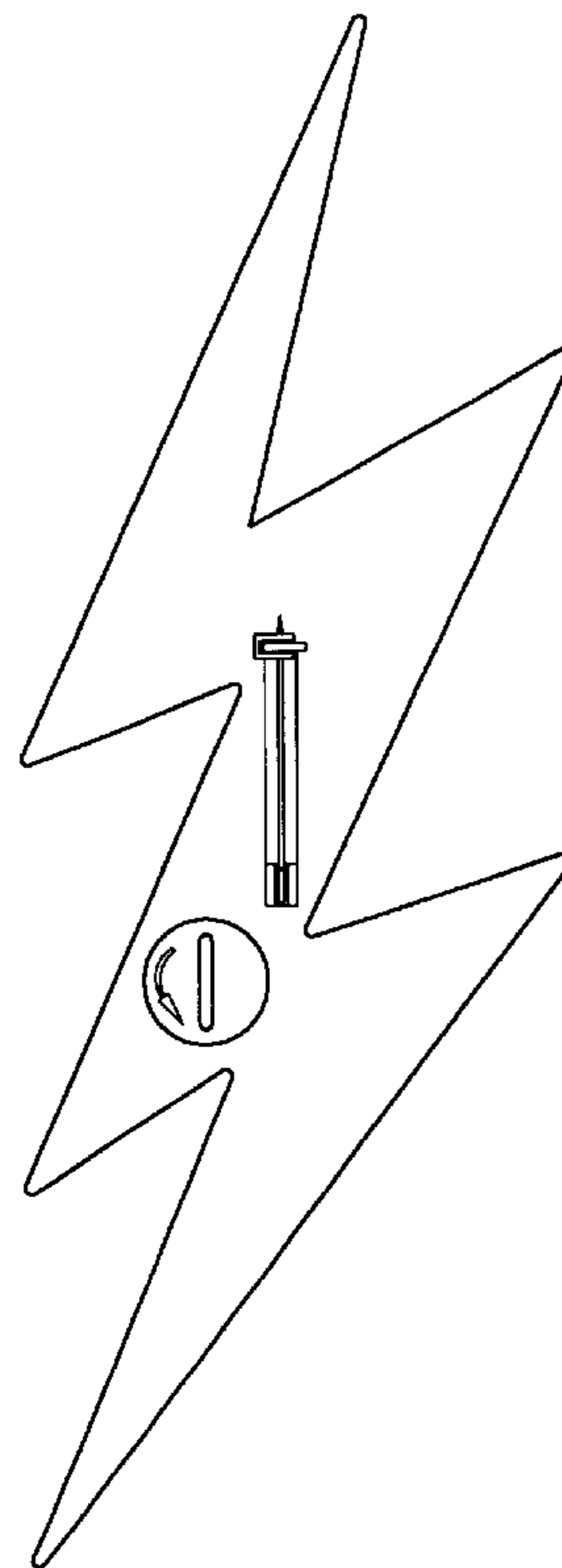


FIG. 2

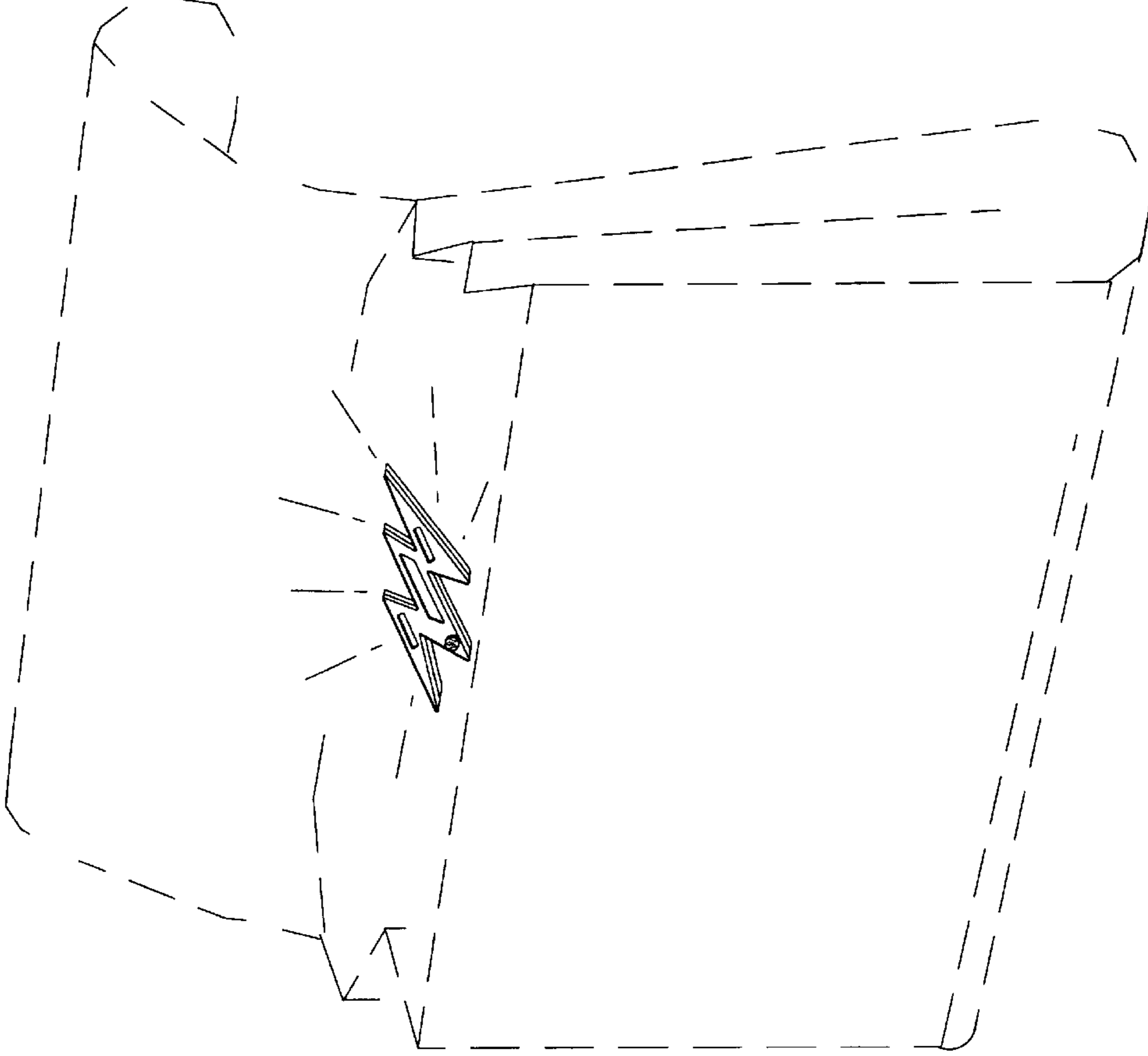


FIG. 7