

US00D506560S

(12) **United States Design Patent**  
**Oas**

(10) **Patent No.:** **US D506,560 S**

(45) **Date of Patent:** **\*\* Jun. 21, 2005**

(54) **3 LED CLIP**

D447,586 S \* 9/2001 Shing ..... D26/39

(75) **Inventor:** **Daniel Oas**, El Monte, CA (US)

\* cited by examiner

(73) **Assignee:** **Calibr International LLC**, Irwindale, CA (US)

*Primary Examiner*—Marcus A. Jackson

(74) *Attorney, Agent, or Firm*—Brian Carpenter

(\*\*) **Term:** **14 Years**

(57) **CLAIM**

The ornamental design for a 3 LED clip, as shown and described.

(21) **Appl. No.:** **29/195,062**

**DESCRIPTION**

(22) **Filed:** **Dec. 5, 2003**

(51) **LOC (8) Cl.** ..... **26-02**

(52) **U.S. Cl.** ..... **D26/39**

(58) **Field of Search** ..... D26/37-50; 362/157,  
362/158, 171-174, 183-208

FIG. 1 is a perspective view of a 3 LED clip;  
FIG. 2 is a top plan view of the 3 LED clip of FIG. 1;  
FIG. 3 is a bottom plan view of the 3 LED clip of FIG. 1;  
FIG. 4 is a left side elevational view of the 3 LED clip of FIG. 1;  
FIG. 5 is a front elevational view of the 3 LED clip of FIG. 1; and,  
FIG. 6 is a rear elevational view of the 3 LED clip of FIG. 1.

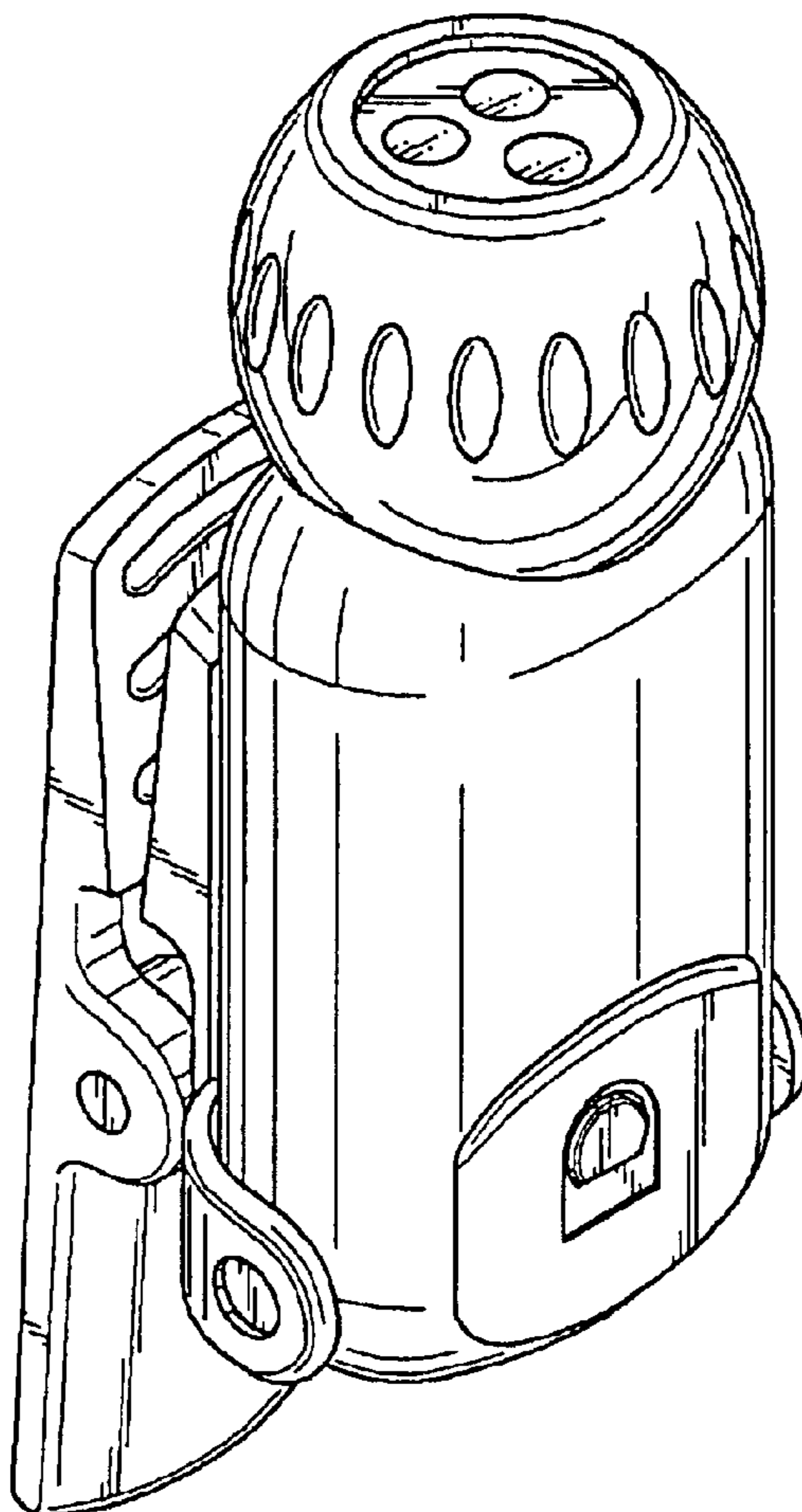
The right side elevational view is a mirror image of the left side elevational view of the 3 LED clip of FIG. 4.

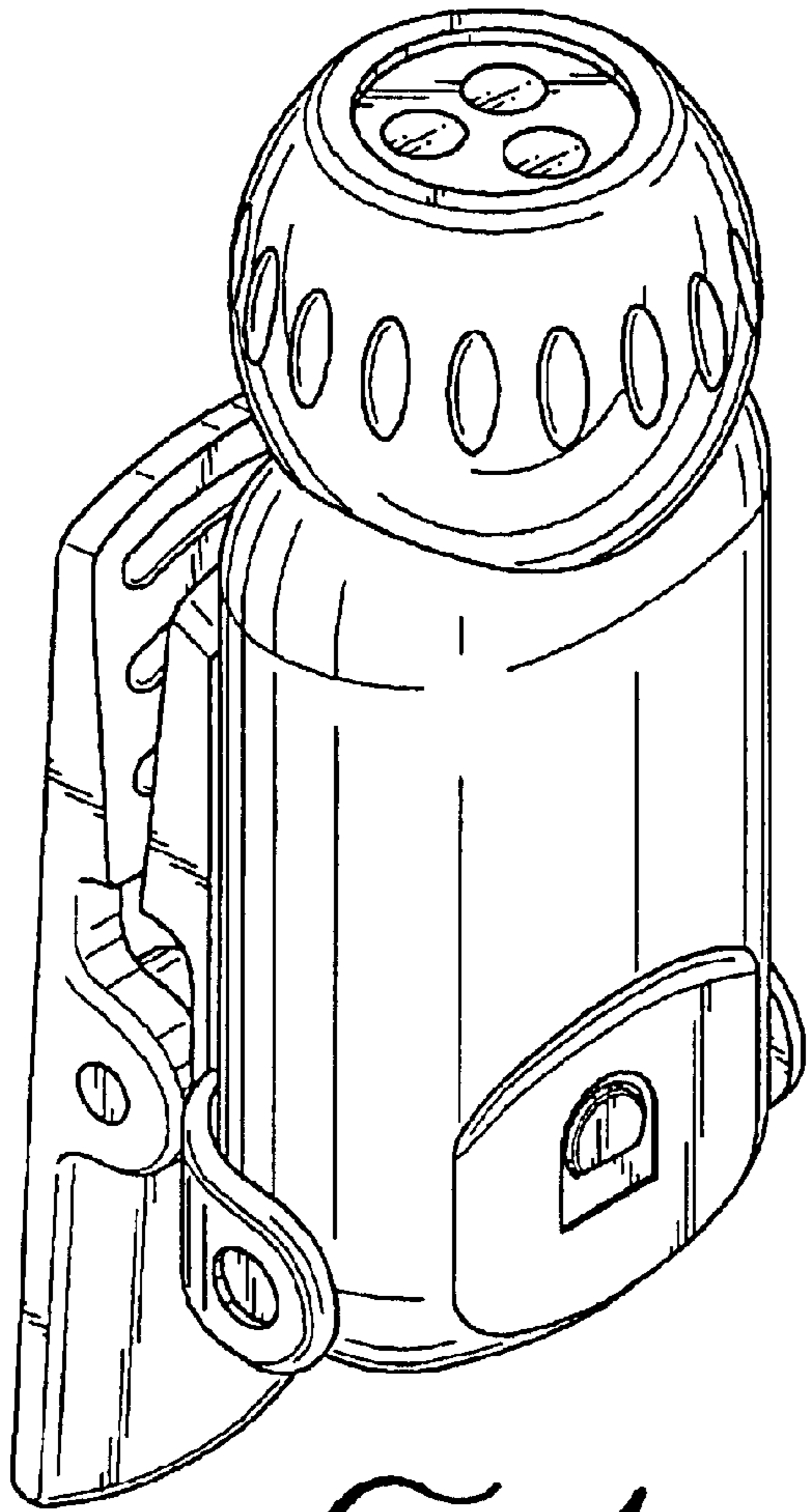
(56) **References Cited**

**U.S. PATENT DOCUMENTS**

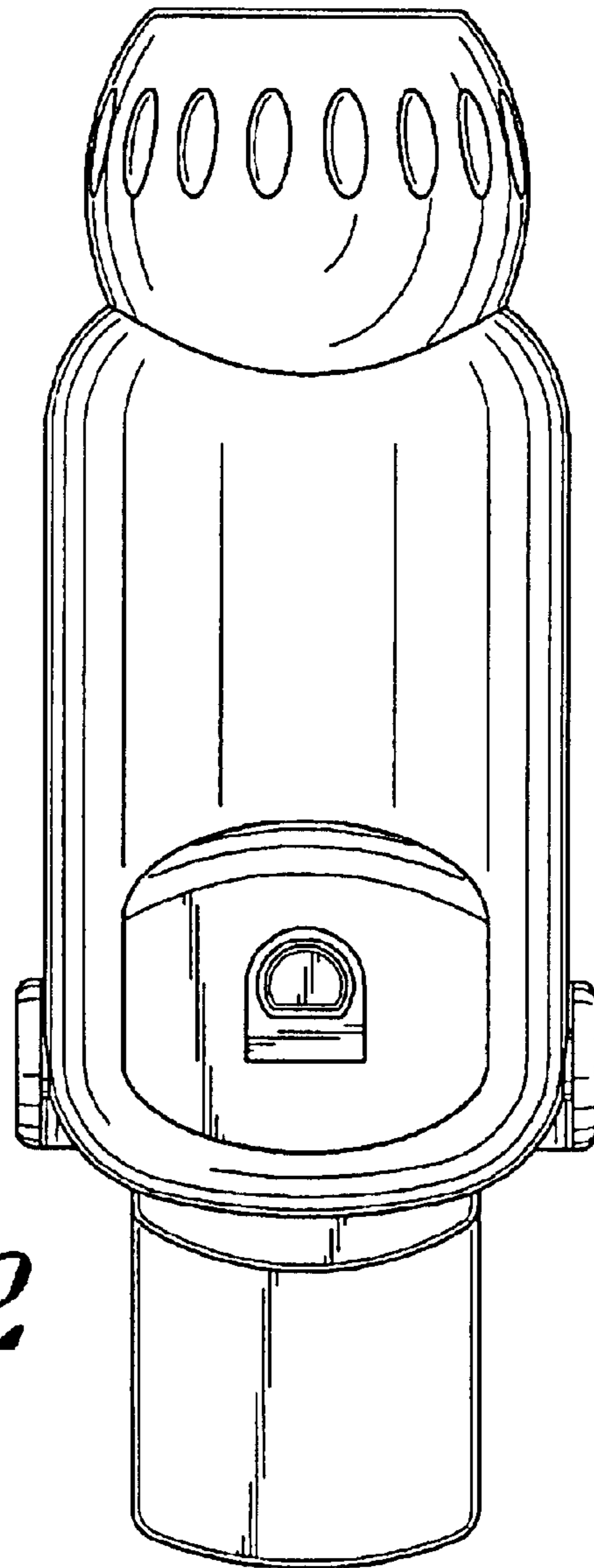
- D373,433 S \* 9/1996 Feinbloom ..... D26/39
- D399,580 S \* 10/1998 Feinbloom ..... D26/39
- D405,202 S \* 2/1999 Fattori et al. .... D26/39

**1 Claim, 3 Drawing Sheets**



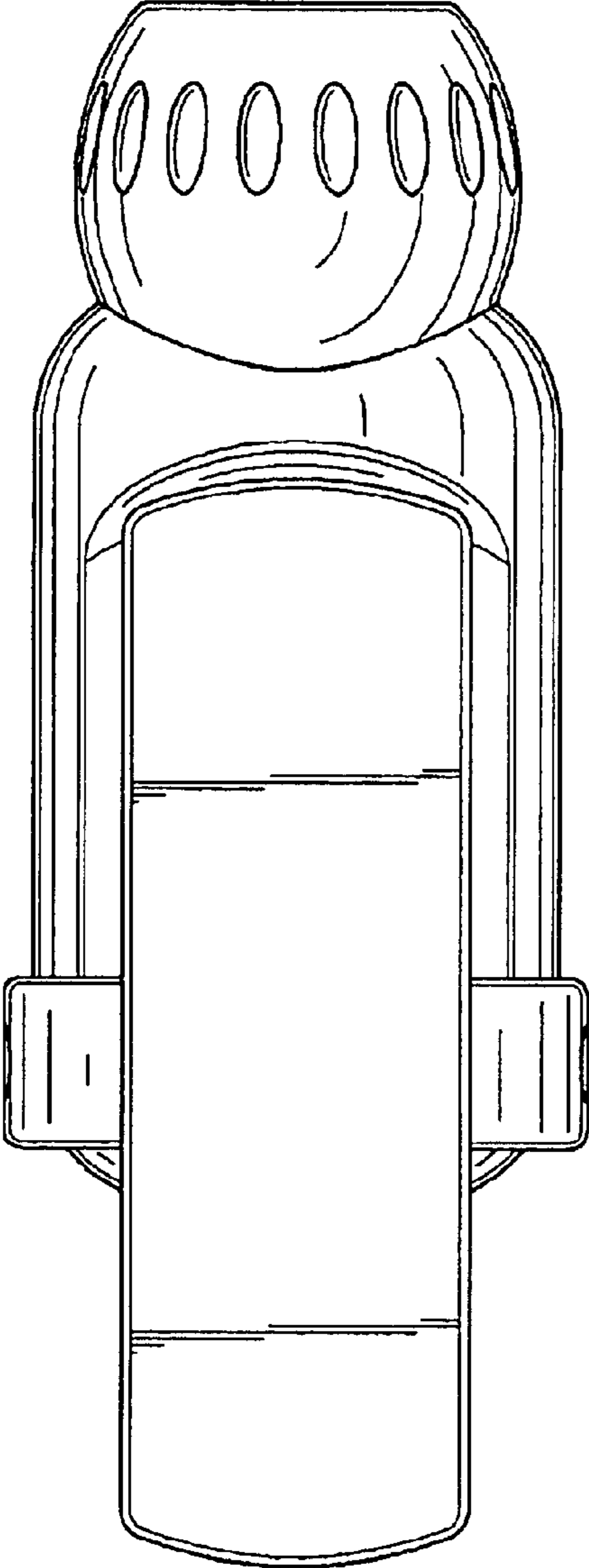


*FIG. 1*

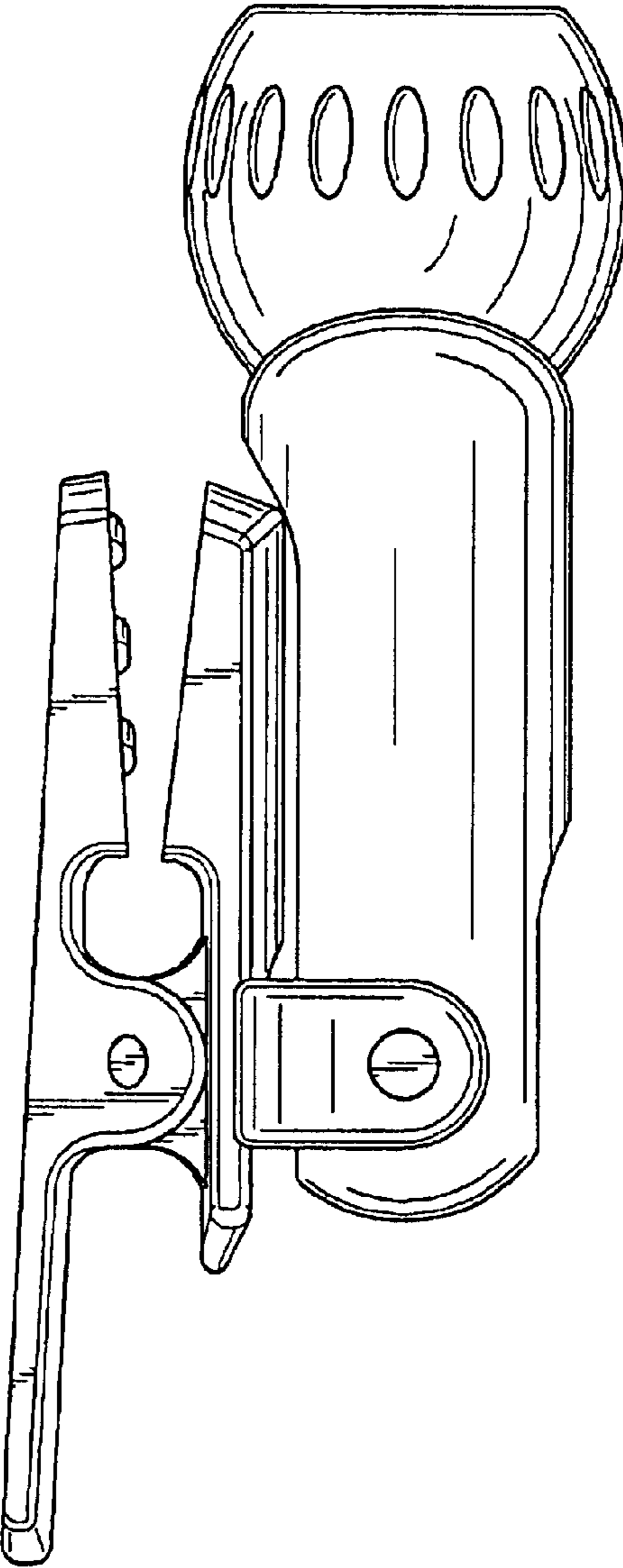


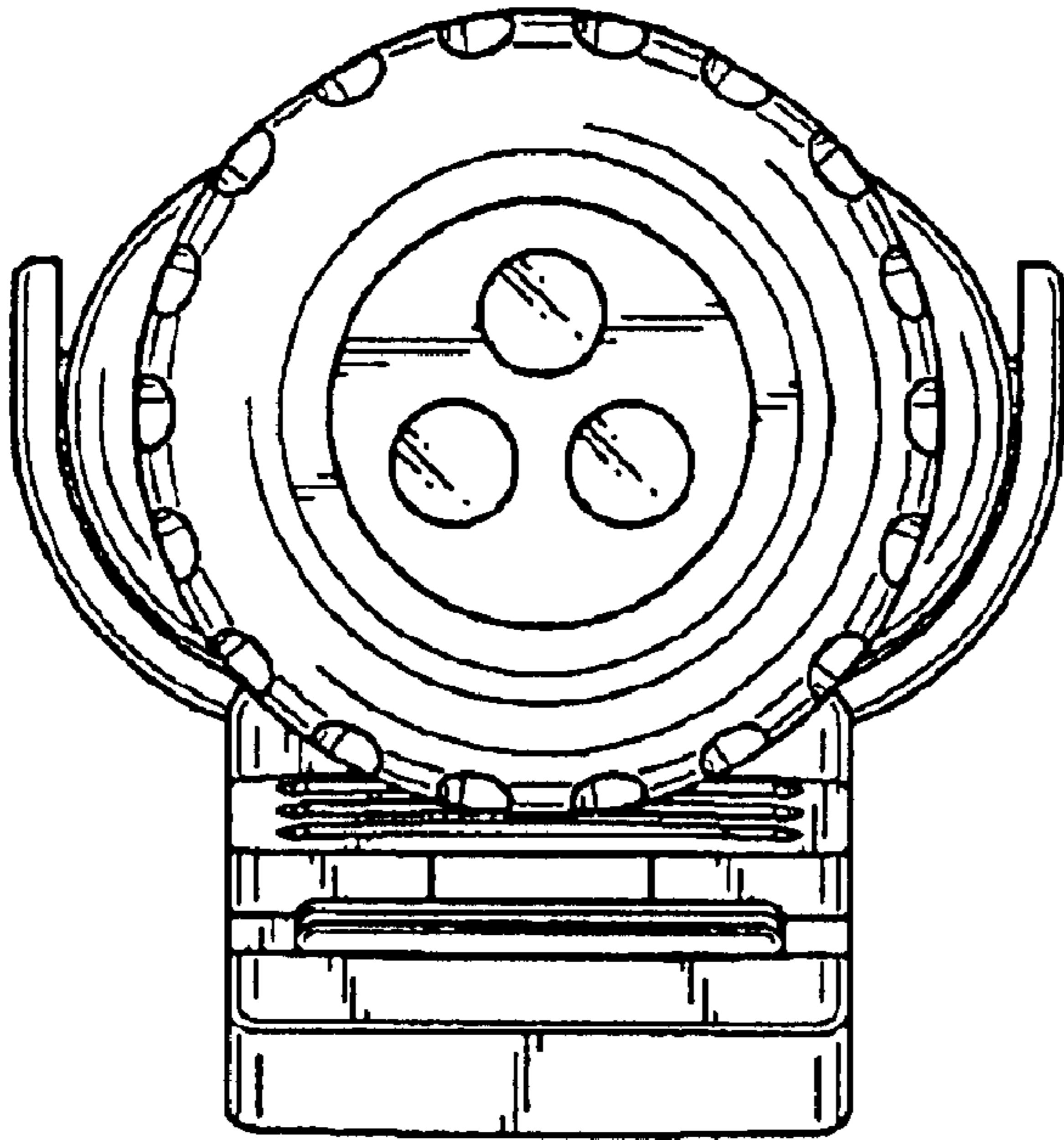
*FIG. 2*

*FIG. 3*

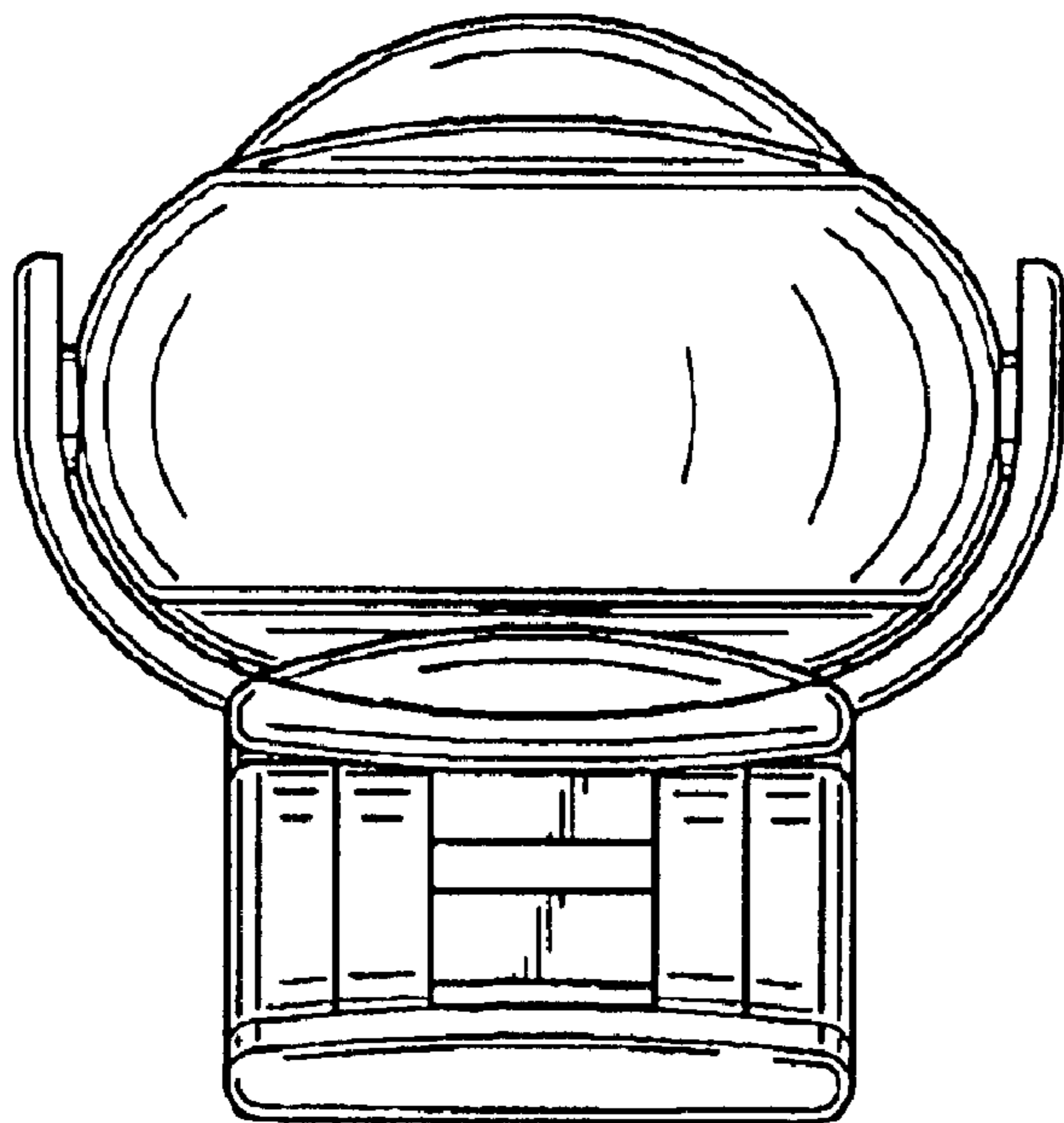


*FIG. 4*





*FIG. 5*



*FIG. 6*