



US00D506559S

(12) **United States Design Patent**
Chen

(10) **Patent No.:** **US D506,559 S**
(45) **Date of Patent:** **** Jun. 21, 2005**

(54) **FLASHLIGHT HEAD AND TAIL CAP WITH HOOK**

(75) Inventor: **Joy C. Chen**, Burlingame, CA (US)

(73) Assignee: **Pentagon Scientific Corporation**,
Burlingame, CA (US)

(**) Term: **14 Years**

(21) Appl. No.: **29/213,805**

(22) Filed: **Sep. 23, 2004**

(51) **LOC (8) Cl.** **26-02**

(52) **U.S. Cl.** **D26/37**

(58) **Field of Search** D26/37-50; 362/157,
362/158, 171-174, 183-208

(56) **References Cited**

U.S. PATENT DOCUMENTS

5,054,170 A	10/1991	Otrusina	
5,730,342 A	3/1998	Tien	
D428,504 S	7/2000	Saunders	
D481,482 S	* 10/2003	Mah D26/37
D486,935 S	2/2004	Shin	
D486,936 S	2/2004	Shin	
D486,937 S	2/2004	Shin	
D488,877 S	4/2004	Shin	
D490,551 S	5/2004	Kim	

D490,922 S	*	6/2004	Chen	D26/37
D492,051 S		6/2004	Kim		
D494,696 S		8/2004	Kim		
D495,443 S		8/2004	Kim		
D497,445 S	*	10/2004	Chan	D26/37
D501,054 S	*	1/2005	Galli	D26/37

* cited by examiner

Primary Examiner—Marcus A. Jackson

(57) **CLAIM**

The ornamental design for a flashlight head and tail cap with hook, as shown and described.

DESCRIPTION

FIG. 1 is a perspective view of my new flashlight design, with the center broken away to indicate indeterminate length;

FIG. 2 is a perspective view thereof from the opposite side,

FIG. 3 is a top view thereof,

FIG. 4 is a bottom view thereof,

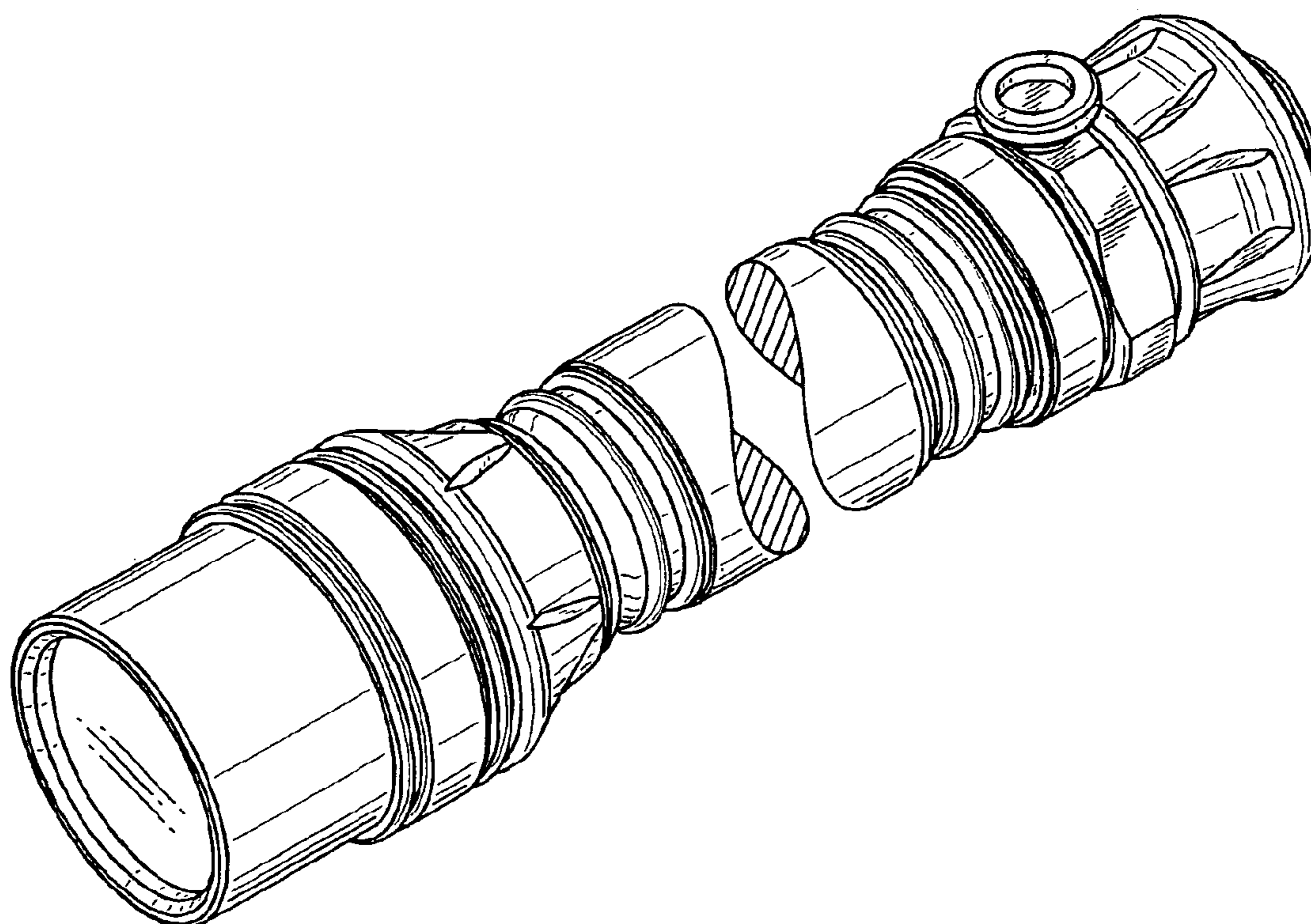
FIG. 5 is a left side view thereof; the right side view is a mirror image of the left side,

FIG. 6 is a front view thereof; and,

FIG. 7 is a rear view thereof.

Portions of the body not shown in the drawing figures form no part of the claim design.

1 Claim, 3 Drawing Sheets



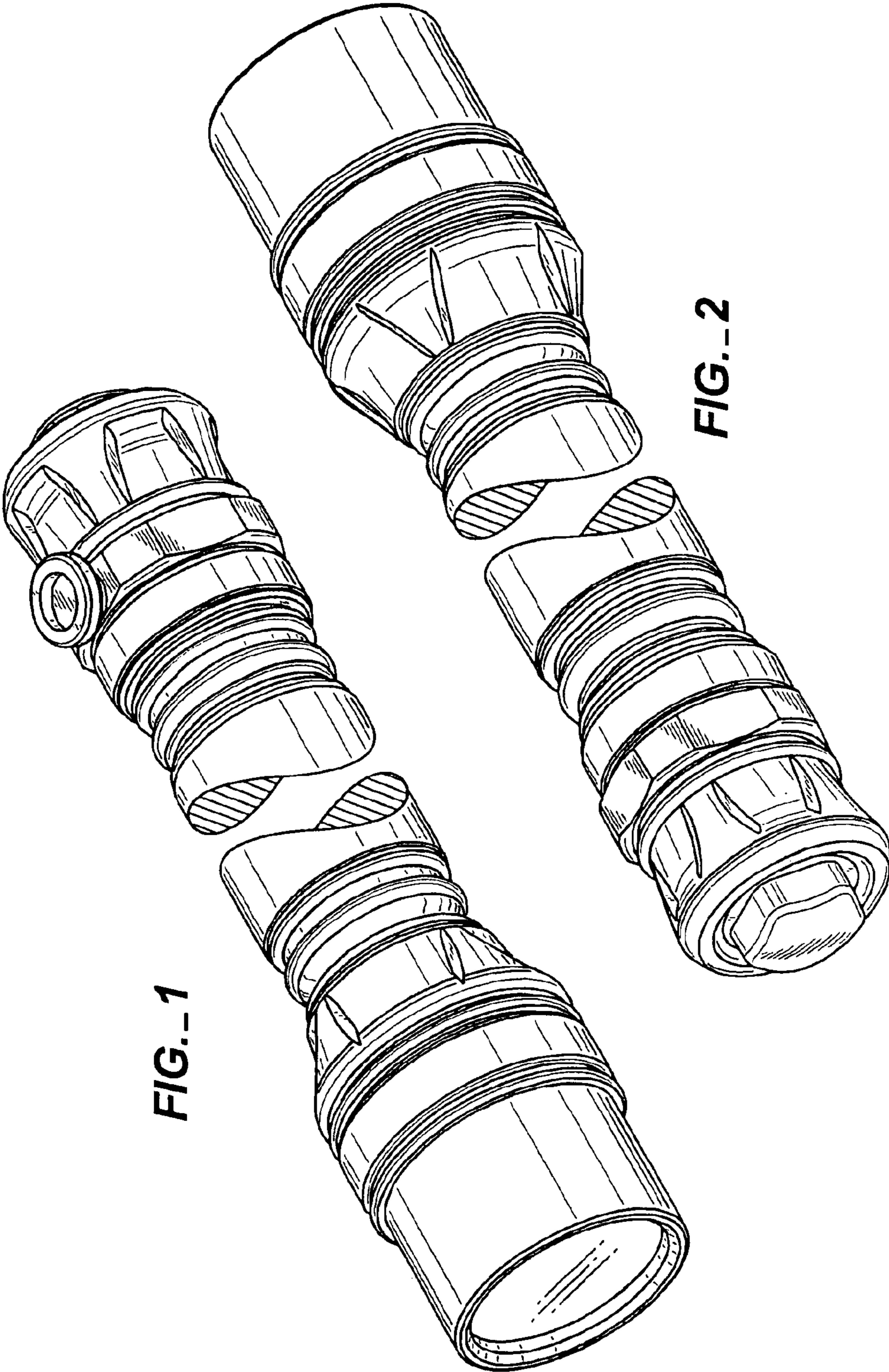


FIG.-1

FIG.-2

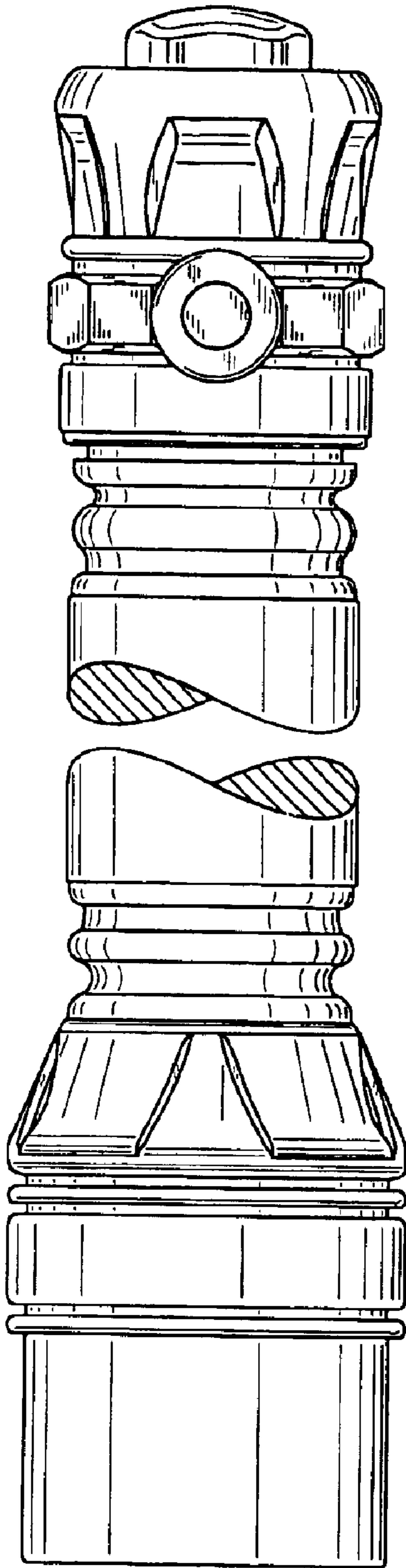


FIG. 3

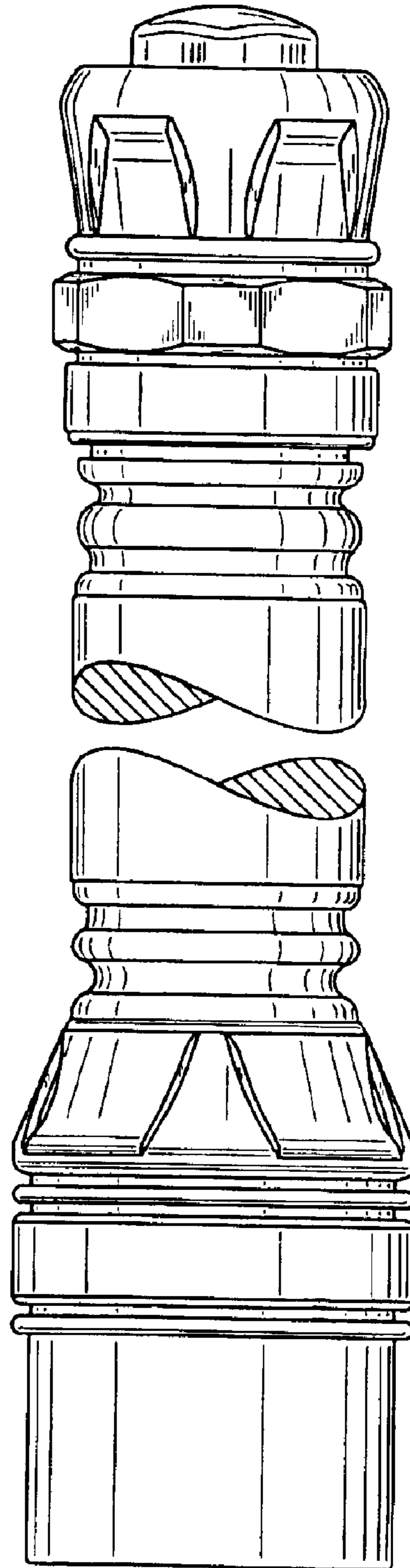


FIG. 4

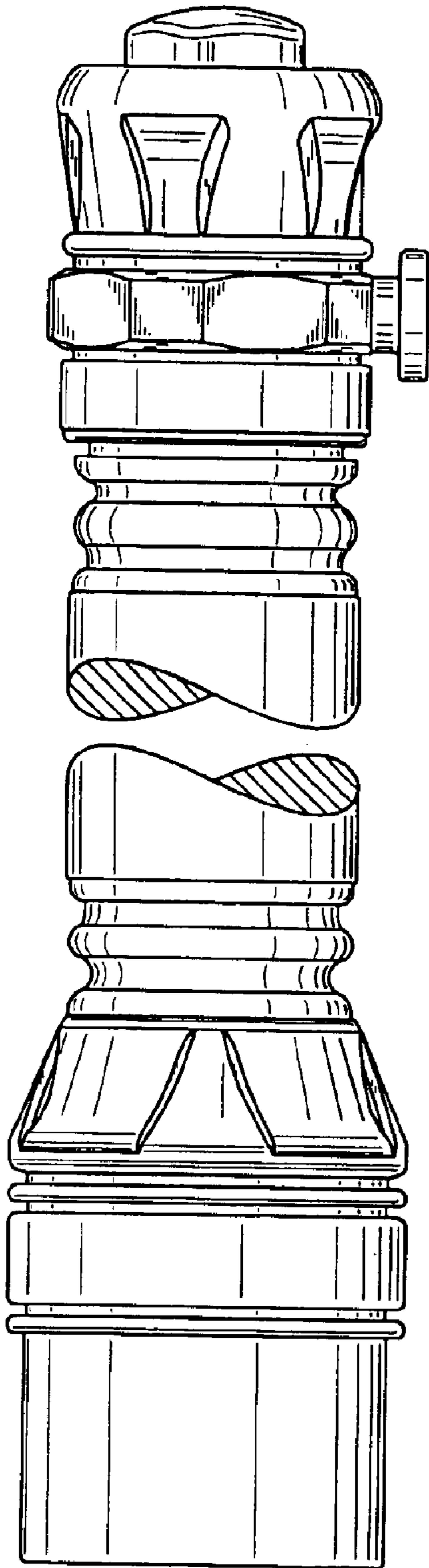


FIG. 5

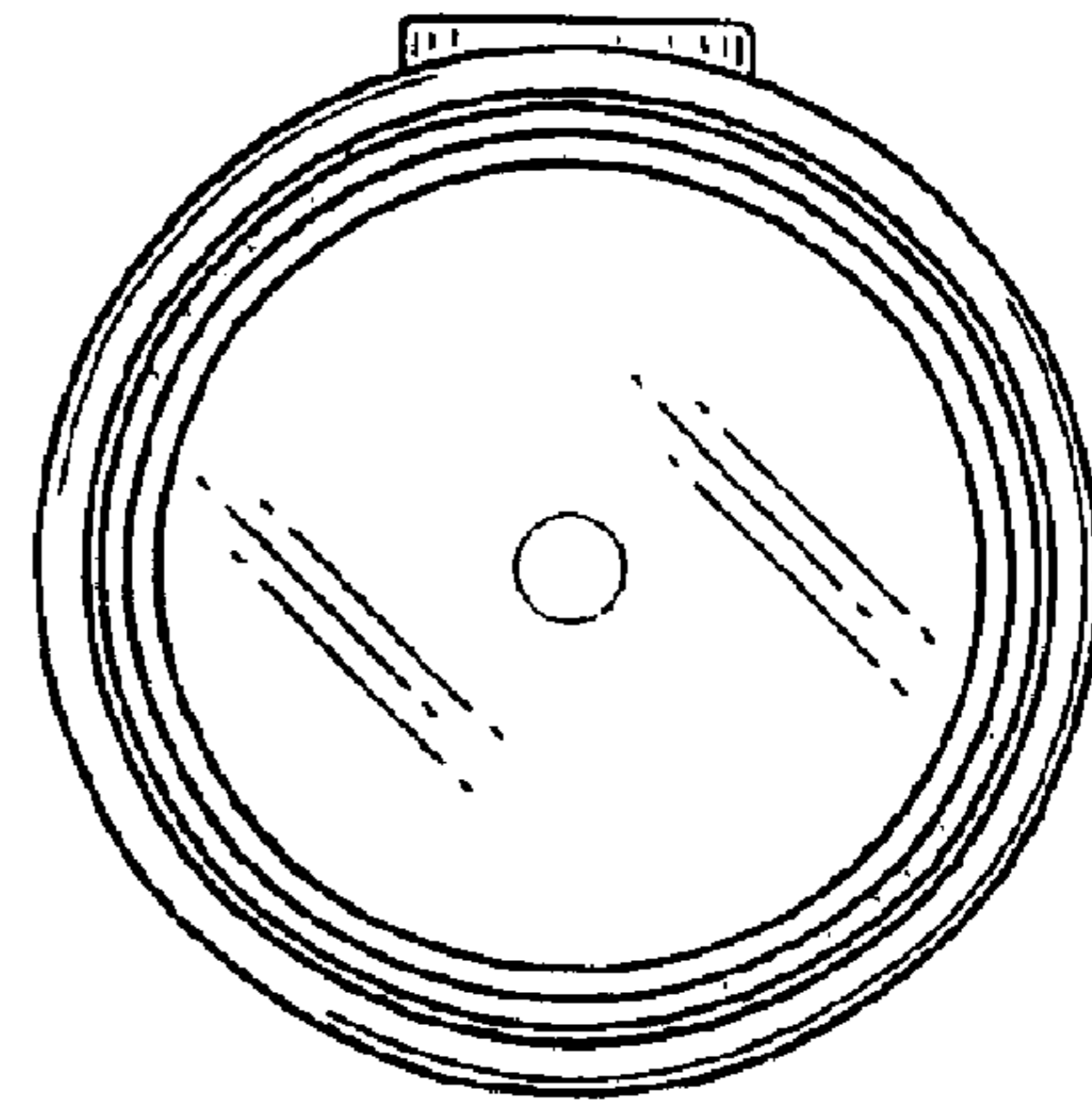


FIG. 6

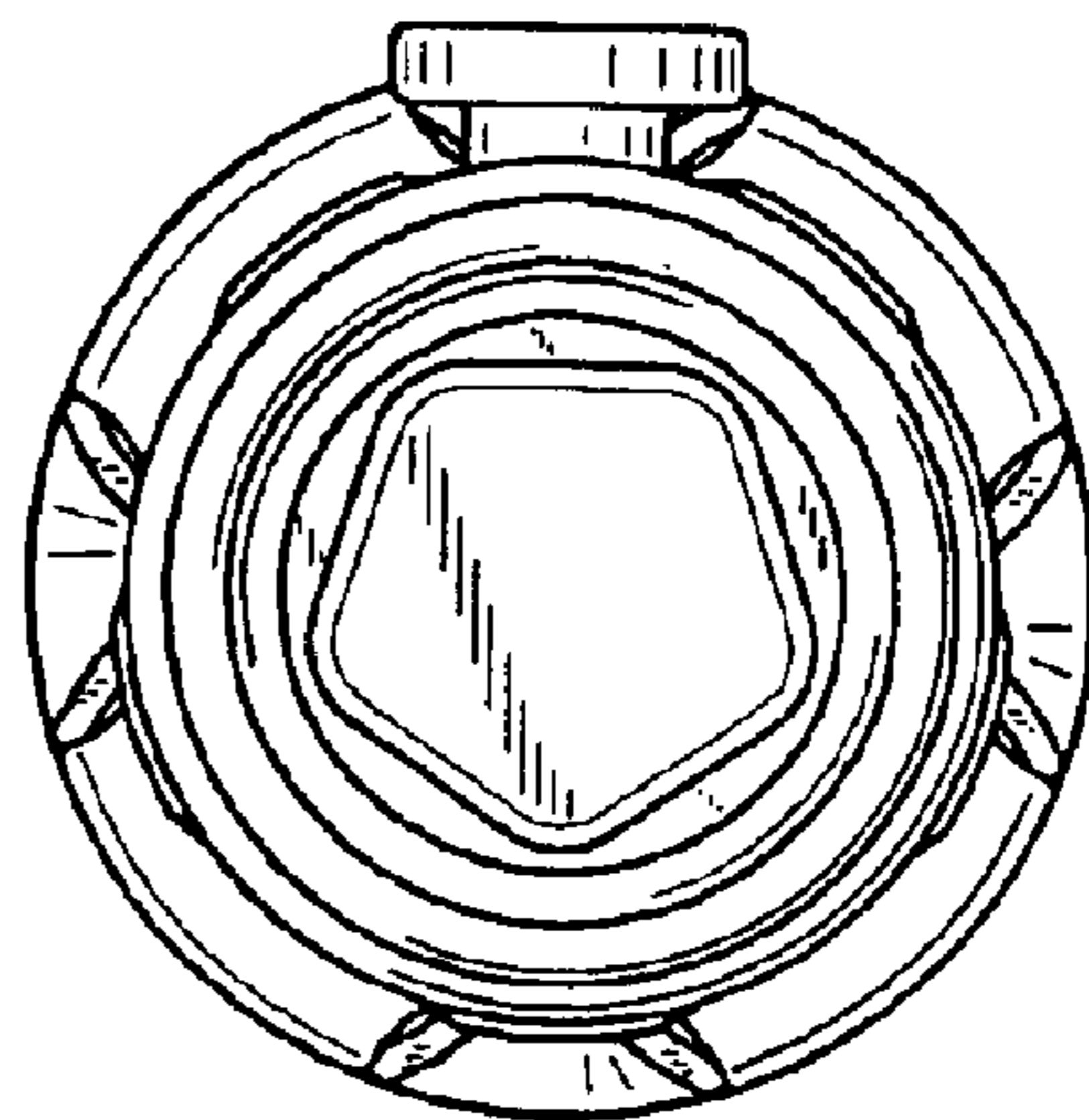


FIG. 7