

US00D506557S

(12) **United States Design Patent**
Lin

(10) **Patent No.:** **US D506,557 S**

(45) **Date of Patent:** **** Jun. 21, 2005**

(54) **VEHICLE REAR LIGHT**

D482,810 S * 11/2003 Wu D26/28

(76) **Inventor:** **Benny Lin**, No. 16, Lane 143, Sec. 2,
Kuangfu Rd., Sanchung City, Taipei
Hsien (TW)

* cited by examiner

Primary Examiner—Marcus A. Jackson
(74) *Attorney, Agent, or Firm*—Alan D. Kamrath; Nikolai
& Mersereau, P.A.

(**) **Term:** **14 Years**

(21) **Appl. No.:** **29/209,417**

(57) **CLAIM**

(22) **Filed:** **Jul. 14, 2004**

The ornamental design for a vehicle rear light, as shown.

(51) **LOC (8) Cl.** **26-06**

(52) **U.S. Cl.** **D26/28**

(58) **Field of Search** D26/28-36; 362/457-468,
362/475-478, 485-487

DESCRIPTION

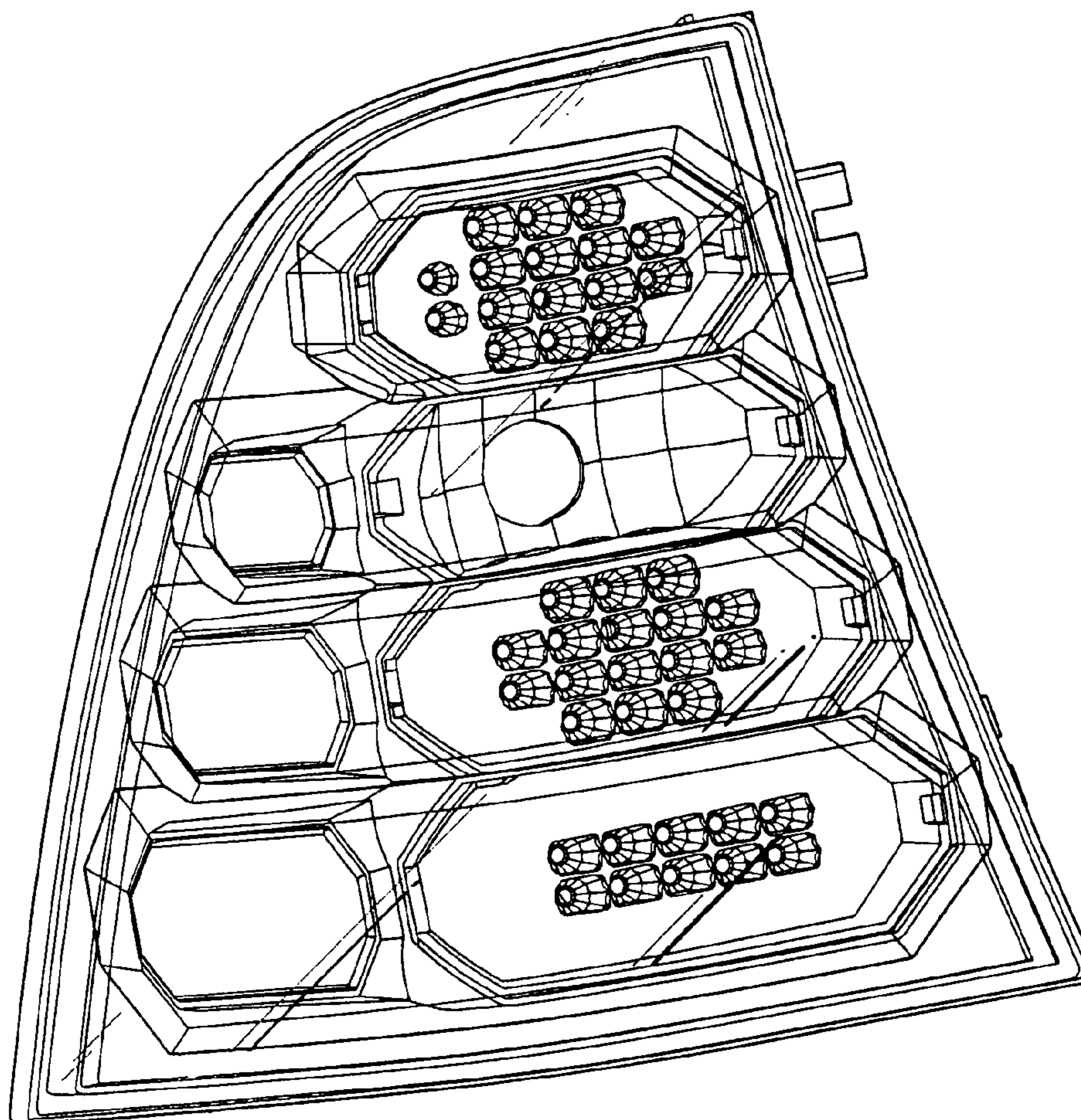
FIG. 1 is a perspective view of a vehicle rear light showing
my new design;
FIG. 2 is a front elevational view thereof;
FIG. 3 is a rear elevational view thereof;
FIG. 4 is a left elevational view thereof;
FIG. 5 is a right elevational view thereof;
FIG. 6 is top plan view thereof; and,
FIG. 7 is a bottom plan view thereof.

(56) **References Cited**

U.S. PATENT DOCUMENTS

D465,589 S	*	11/2002	Lin	D26/28
D467,369 S	*	12/2002	Horowitz	D26/28
D476,432 S	*	6/2003	Lin	D26/28
D477,429 S	*	7/2003	Lin	D26/28

1 Claim, 7 Drawing Sheets



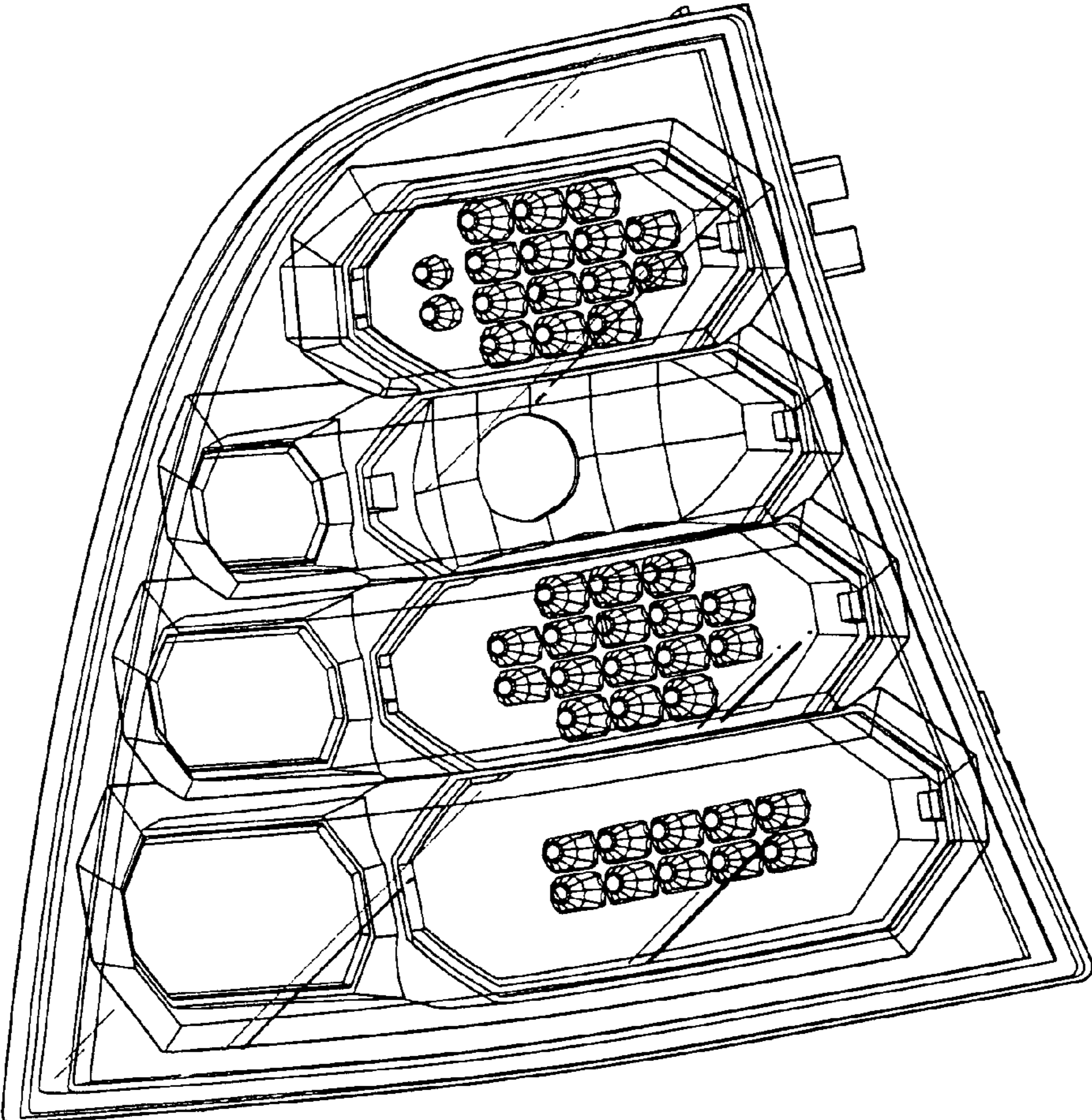


FIG.1

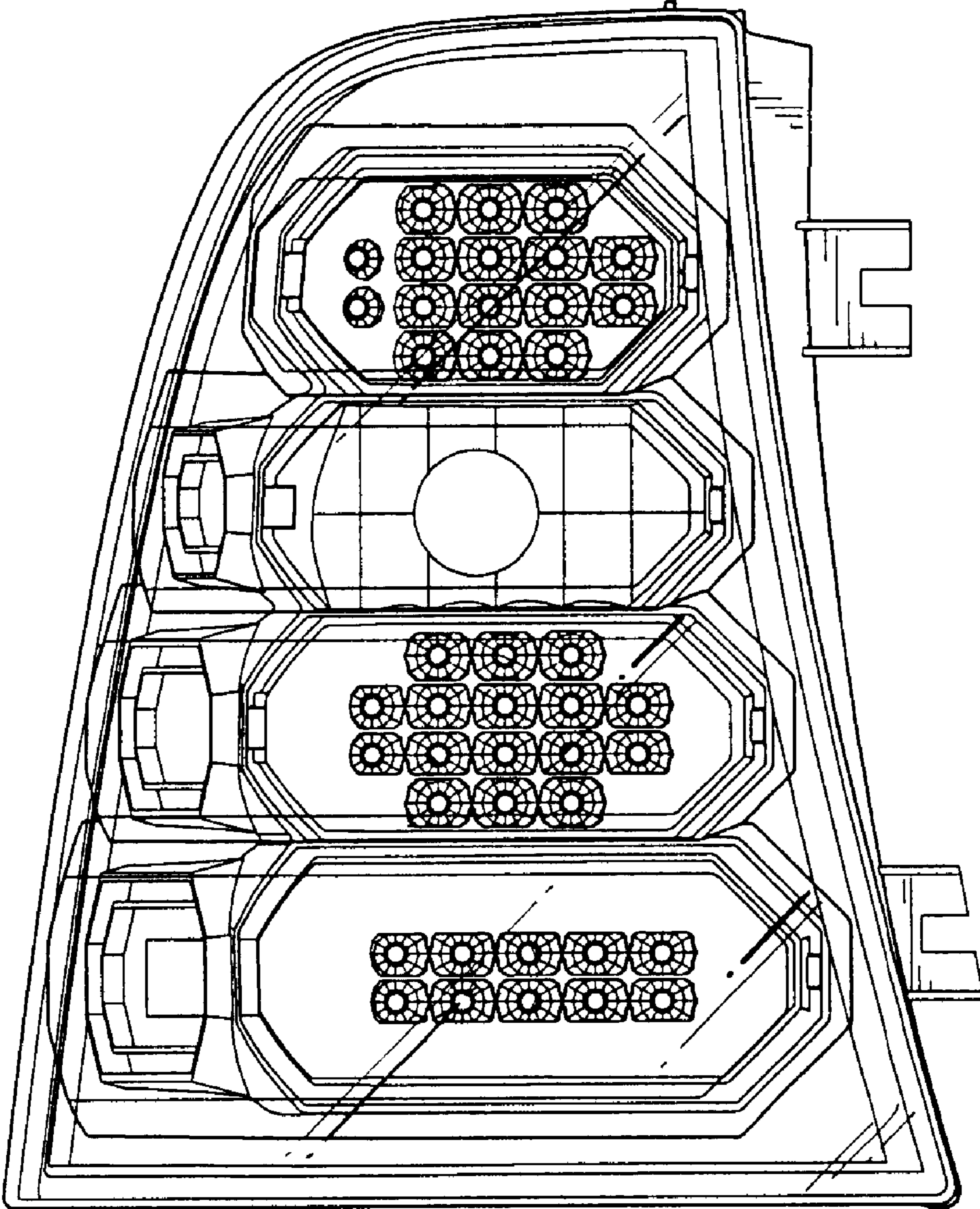


FIG.2

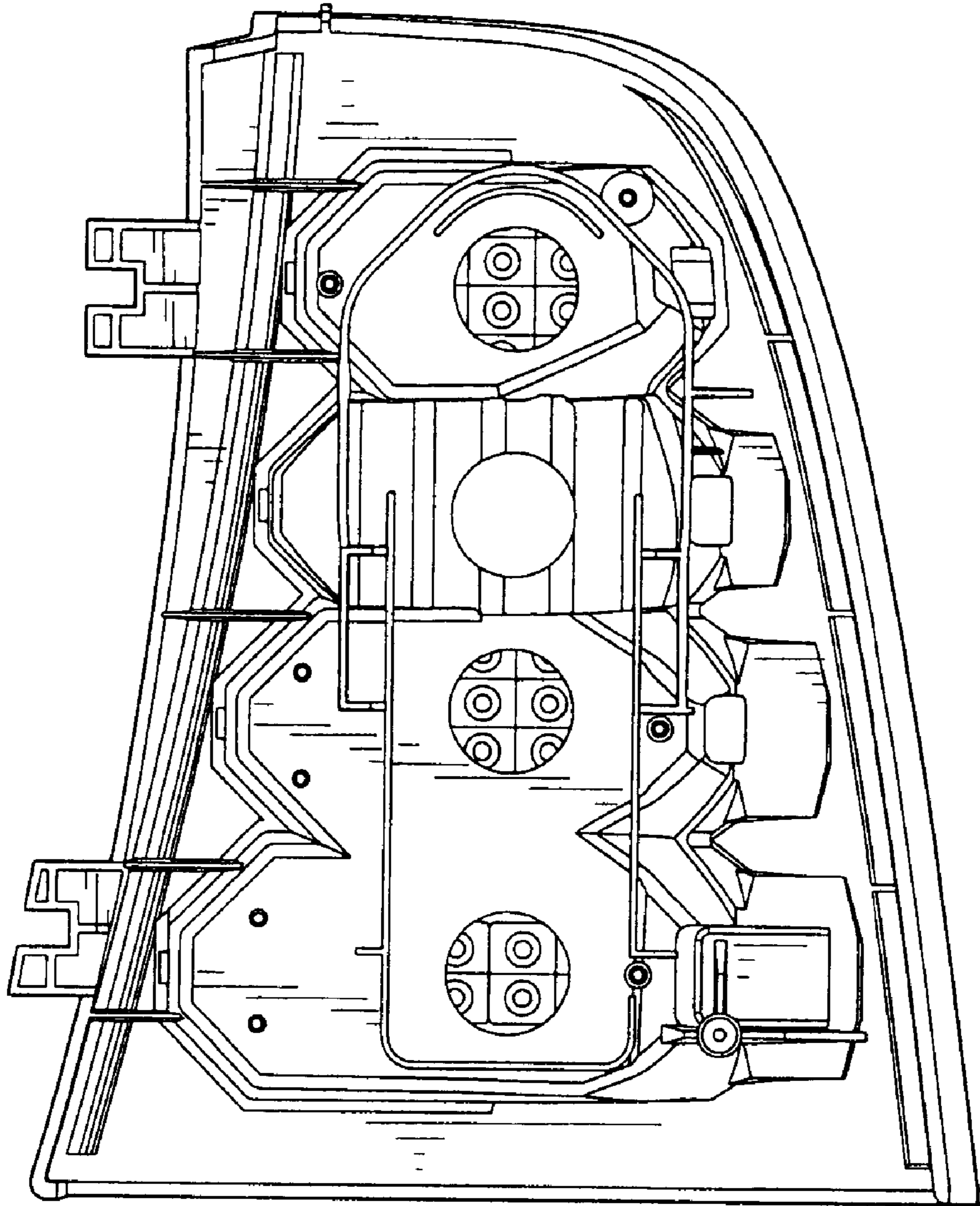


FIG. 3

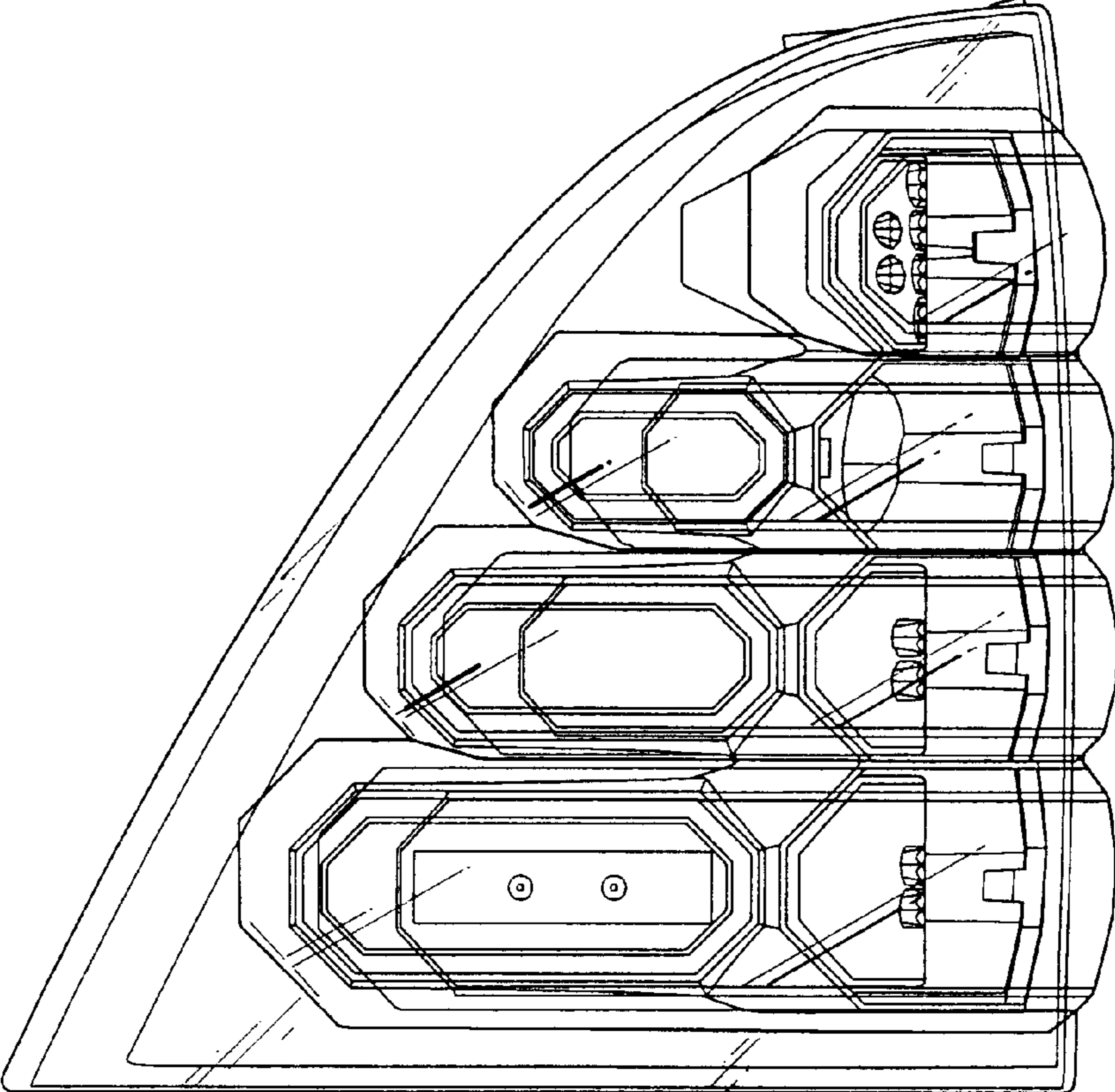


FIG. 4

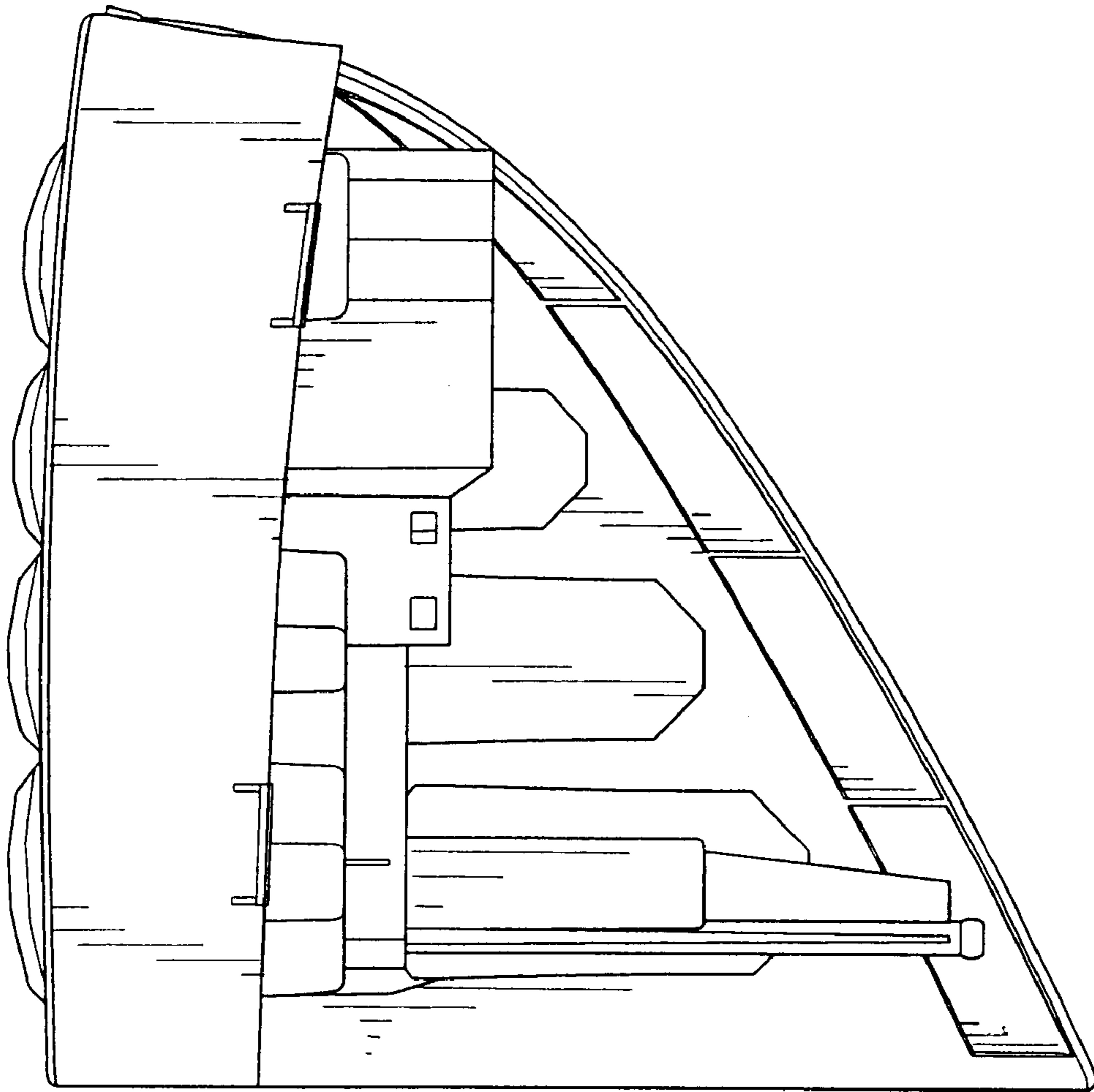


FIG.5

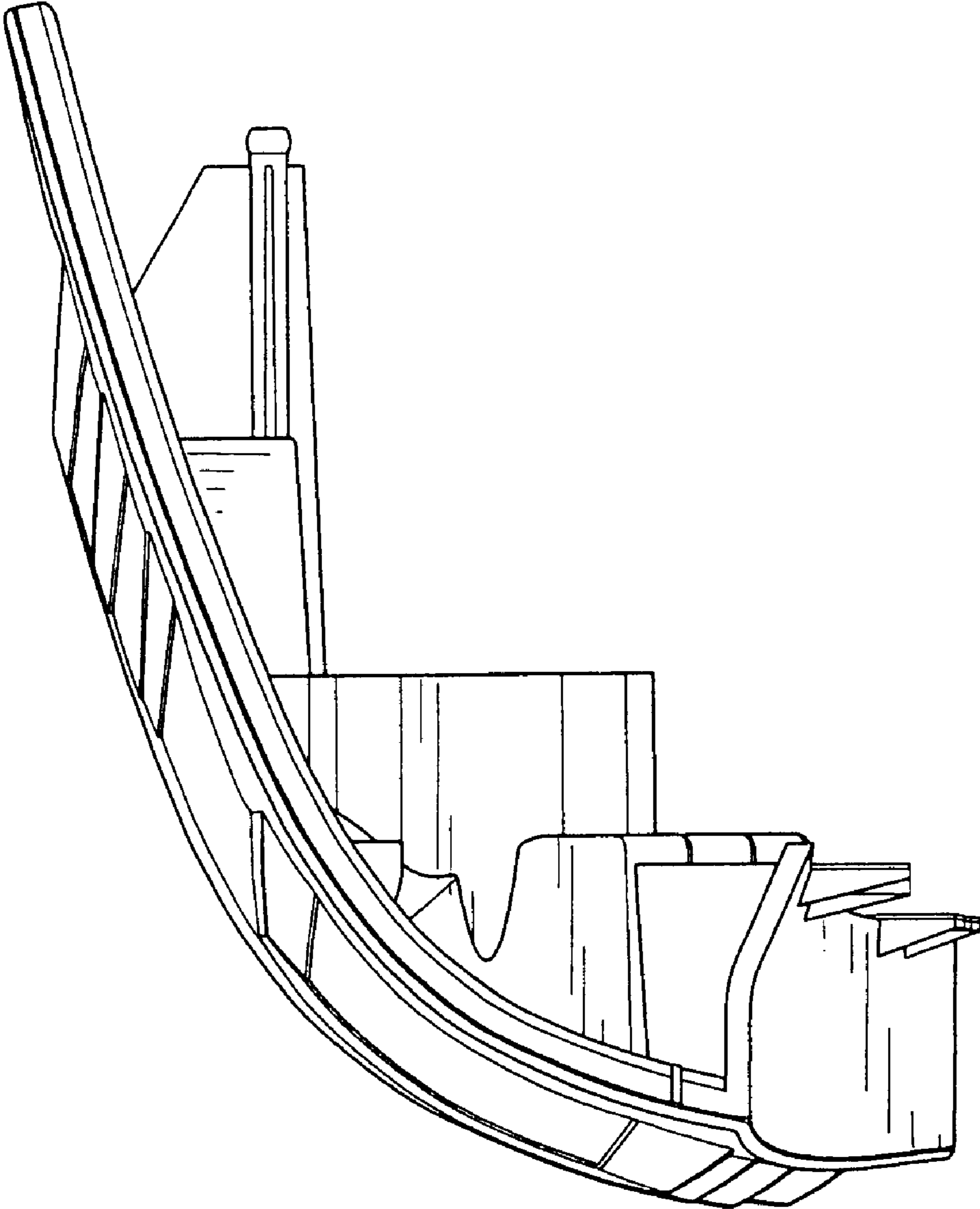


FIG. 6

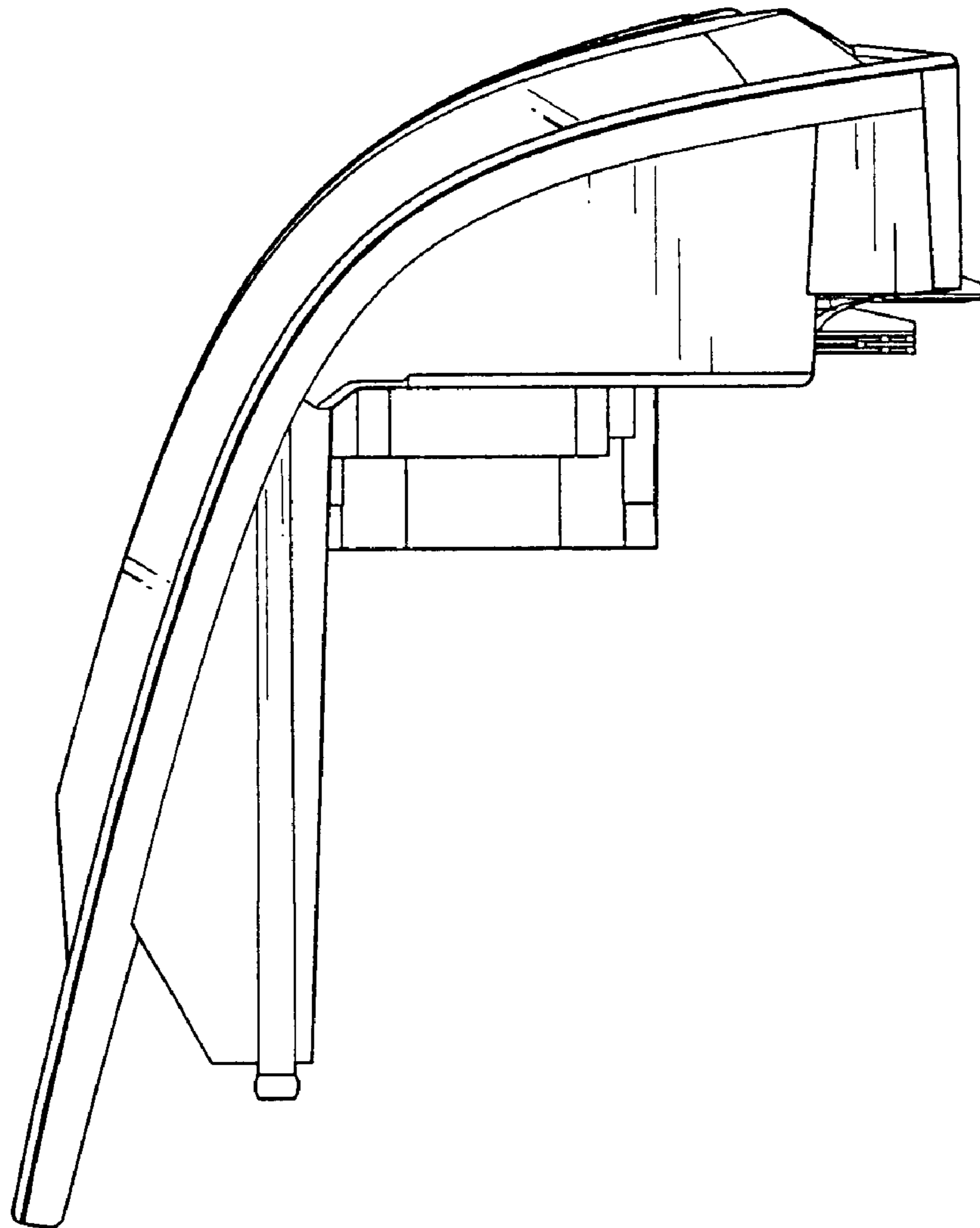


FIG. 7