



US00D506551S

(12) **United States Design Patent** (10) **Patent No.:** **US D506,551 S**
Booth et al. (45) **Date of Patent:** **** Jun. 21, 2005**

(54) **FILTER**

(75) Inventors: **Charles S. Booth**, Pinckney, MI (US);
Richard P. Klinske, Dexter, MI (US)

(73) Assignee: **Pall Corporation**, East Hills, NY (US)

(**) Term: **14 Years**

(21) Appl. No.: **29/198,361**

(22) Filed: **Jan. 30, 2004**

(51) **LOC (8) Cl.** **24-04**

(52) **U.S. Cl.** **D24/162**

(58) **Field of Search** D24/162; 210/456,
210/321.84, 347, 767, 445; 96/6, 219; 55/310;
604/126, 243

(56) **References Cited**

U.S. PATENT DOCUMENTS

2,862,623	A	*	12/1958	Werner	210/445
3,294,242	A	*	12/1966	Georges	210/347
D320,273	S	*	9/1991	Heiden	D24/162
D358,213	S	*	5/1995	Sutton et al.	D24/162
D360,464	S		7/1995	Murray		
5,744,047	A	*	4/1998	Gsell et al.	210/767

* cited by examiner

Primary Examiner—Ian Simmons

Assistant Examiner—Daniel Yu

(74) *Attorney, Agent, or Firm*—Leydig, Voit & Mayer, Ltd.

(57) **CLAIM**

The ornamental design for a filter, as described and shown.

DESCRIPTION

FIG. 1 is a top perspective view of a filter of the present invention.

FIG. 2 is a bottom perspective view of the filter of FIG. 1.

FIG. 3 is a top view of the filter of FIG. 1.

FIG. 4 is a right side view of the filter of FIG. 1.

FIG. 5 is a left side view of the filter of FIG. 1.

FIG. 6 is a bottom view of the filter of FIG. 1.

FIG. 7 is an end view of the filter of FIG. 1.

FIG. 8 is another end view of the filter of FIG. 1.

FIG. 9 is a top perspective view of a filter of the present invention.

FIG. 10 is a bottom perspective view of the filter of FIG. 9.

FIG. 11 is a top view of the filter of FIG. 9.

FIG. 12 is a right side view of the filter of FIG. 9.

FIG. 13 is a left side view of the filter of FIG. 9.

FIG. 14 is a bottom view of the filter of FIG. 9.

FIG. 15 is an end view of the filter of FIG. 9; and,

FIG. 16 is another end view of the filter of FIG. 9.

The broken line showing of the environment is for illustrative purpose only and forms no part of the claimed design.

1 Claim, 8 Drawing Sheets

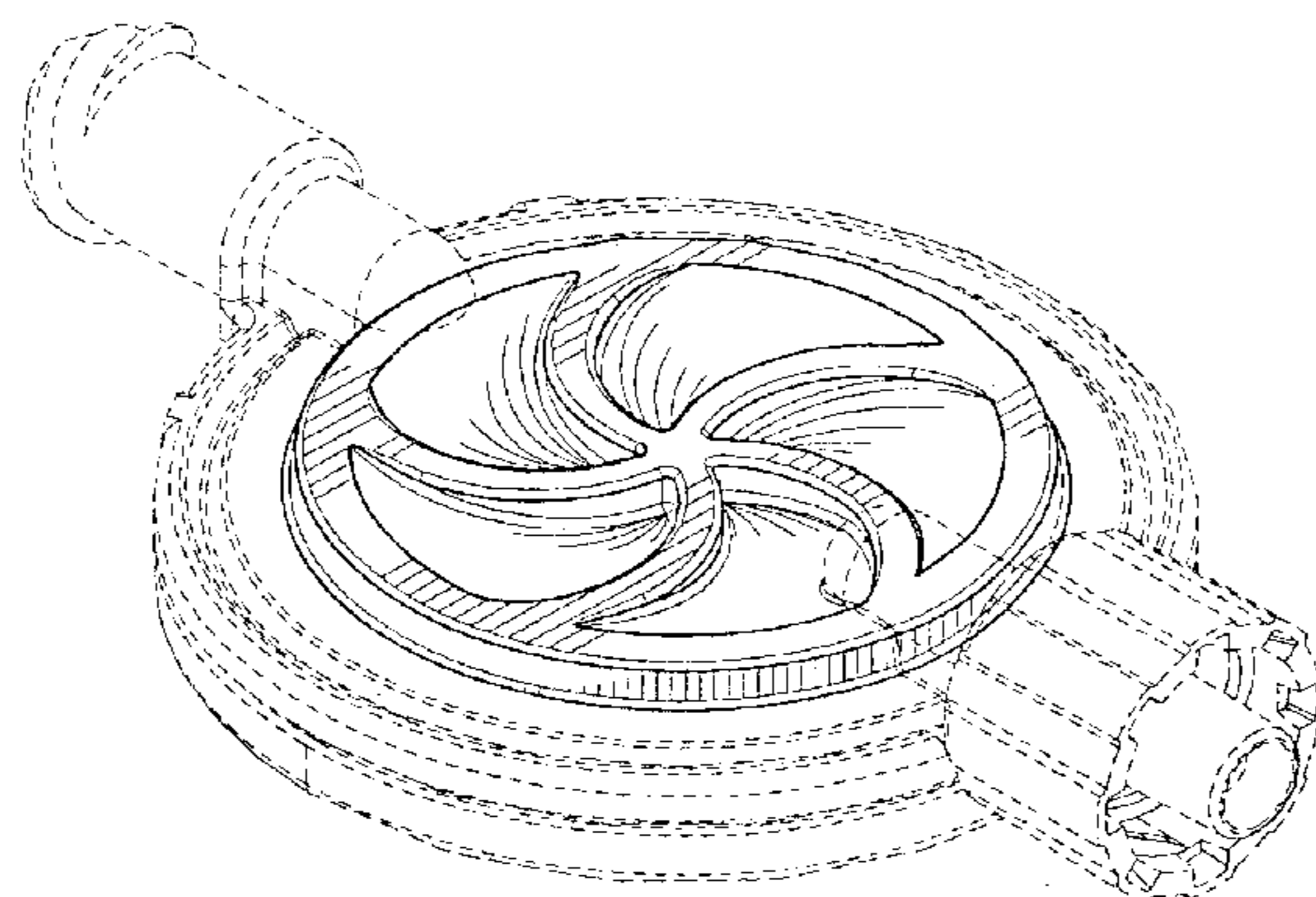
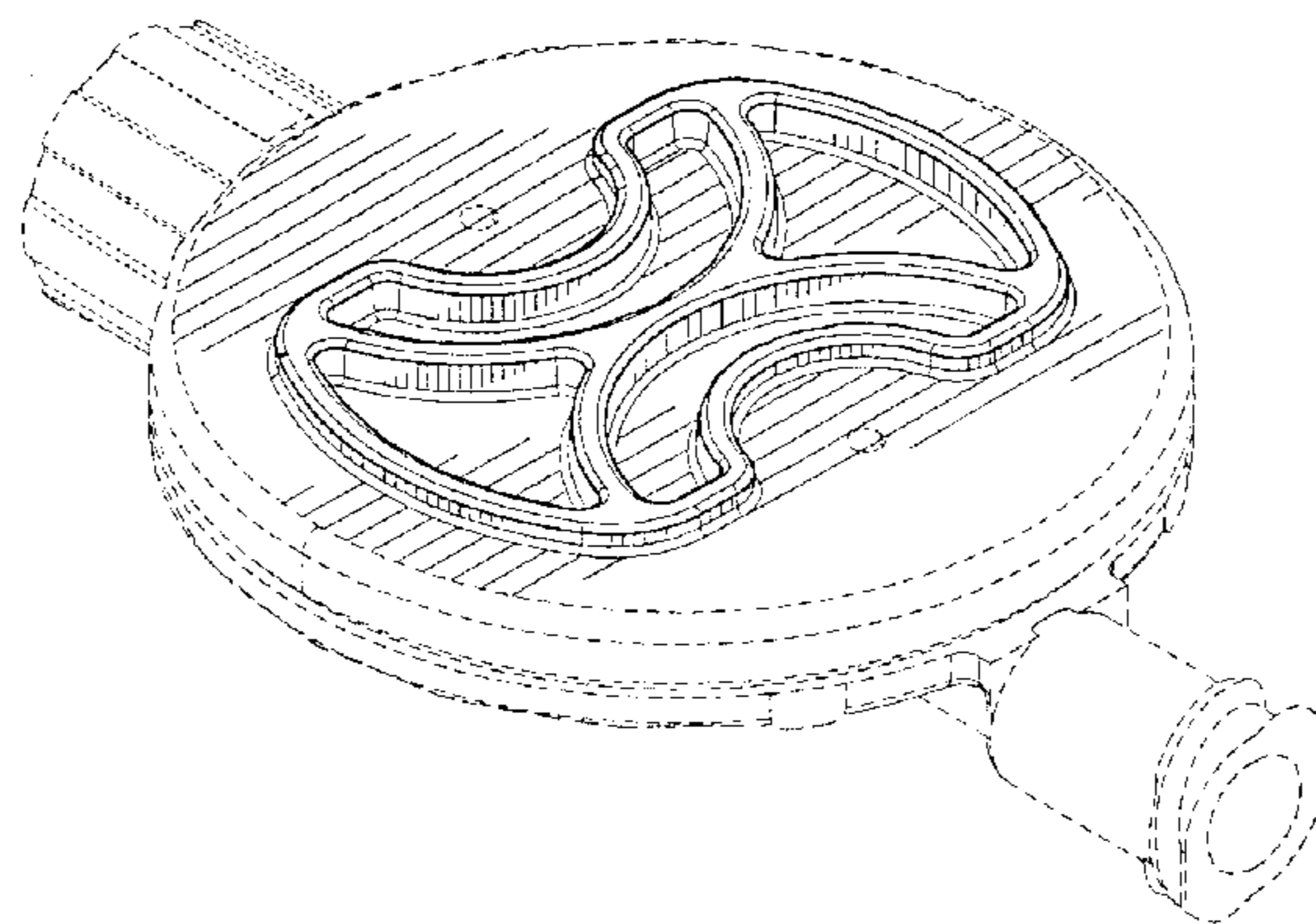


FIG. 1

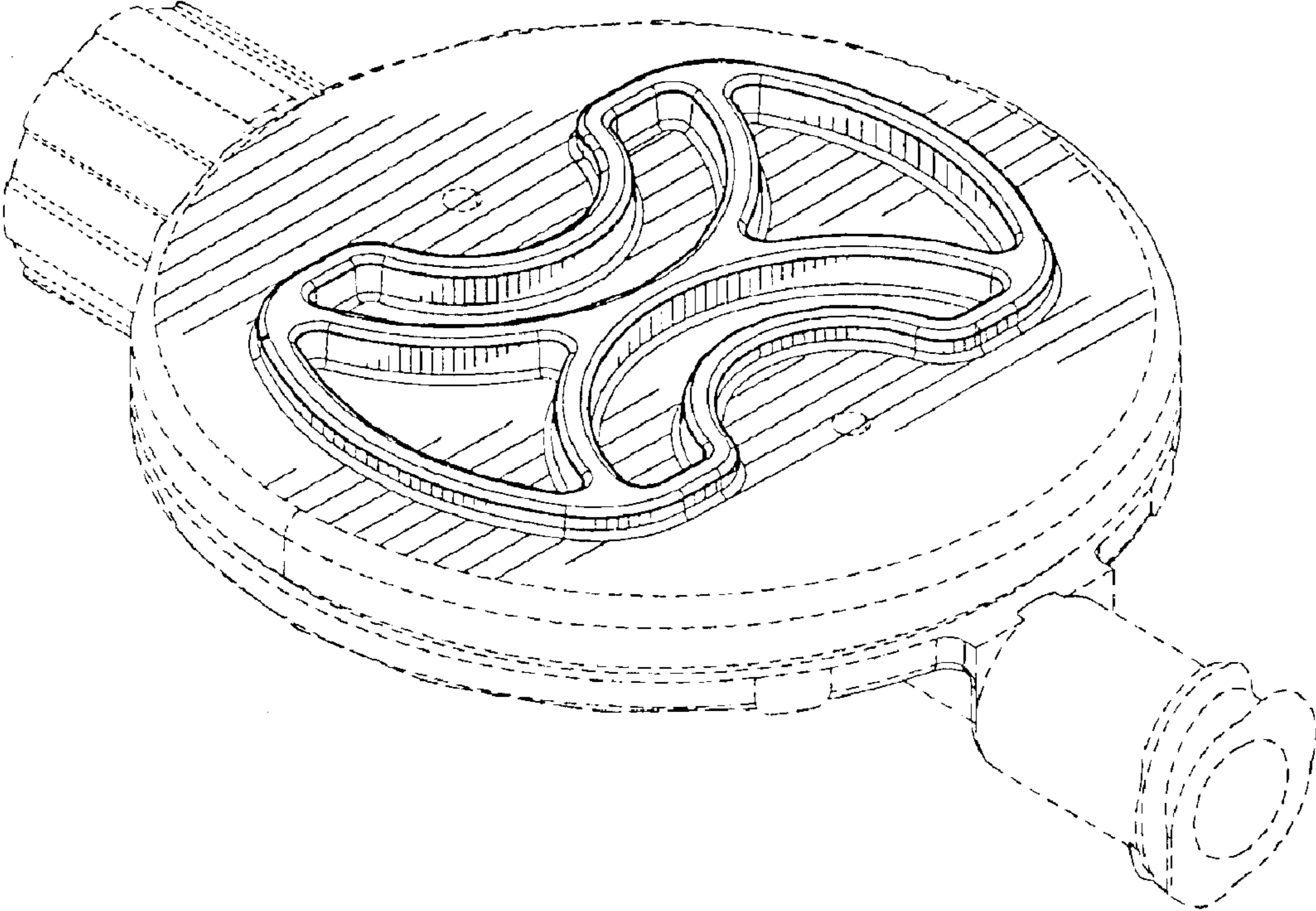
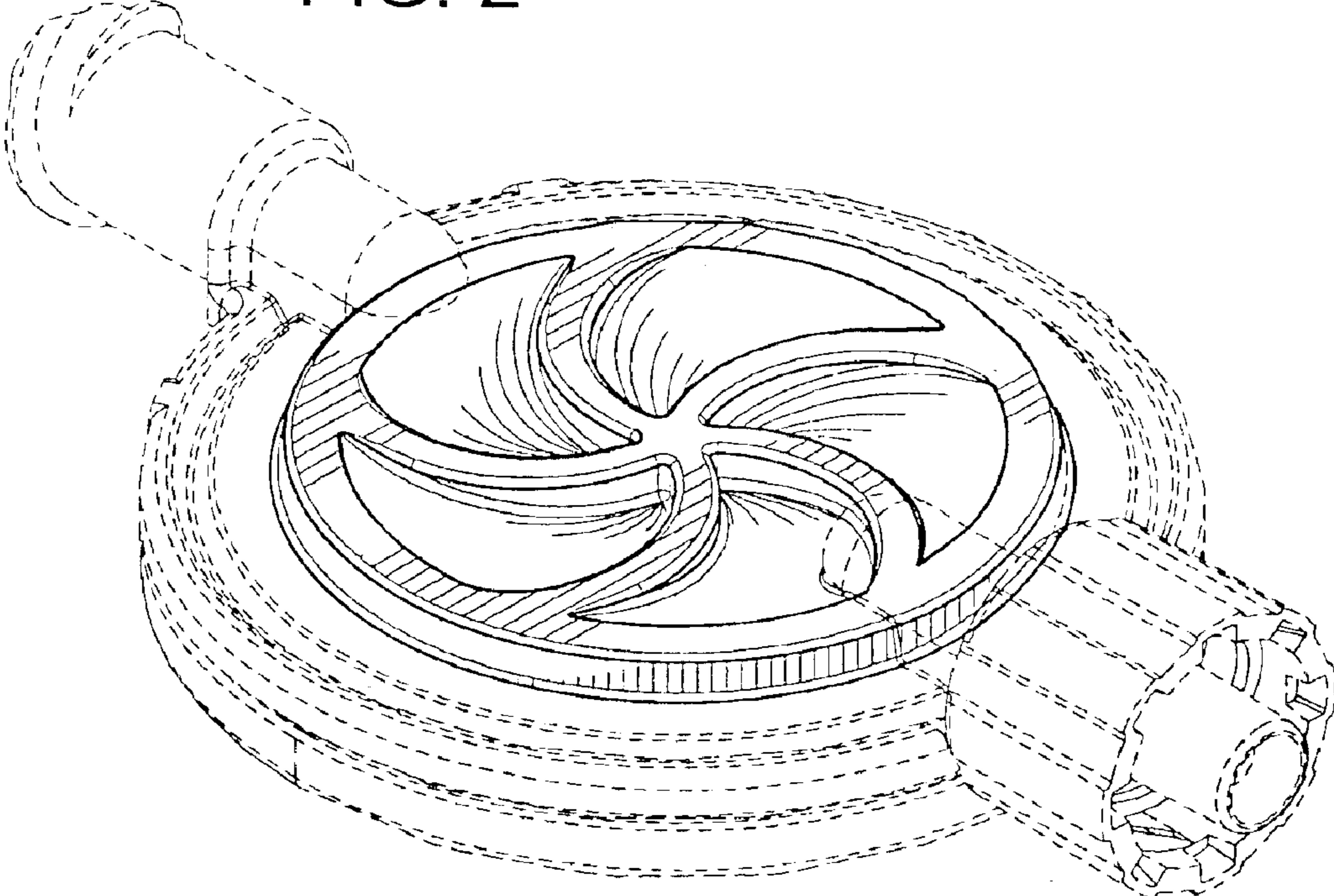


FIG. 2



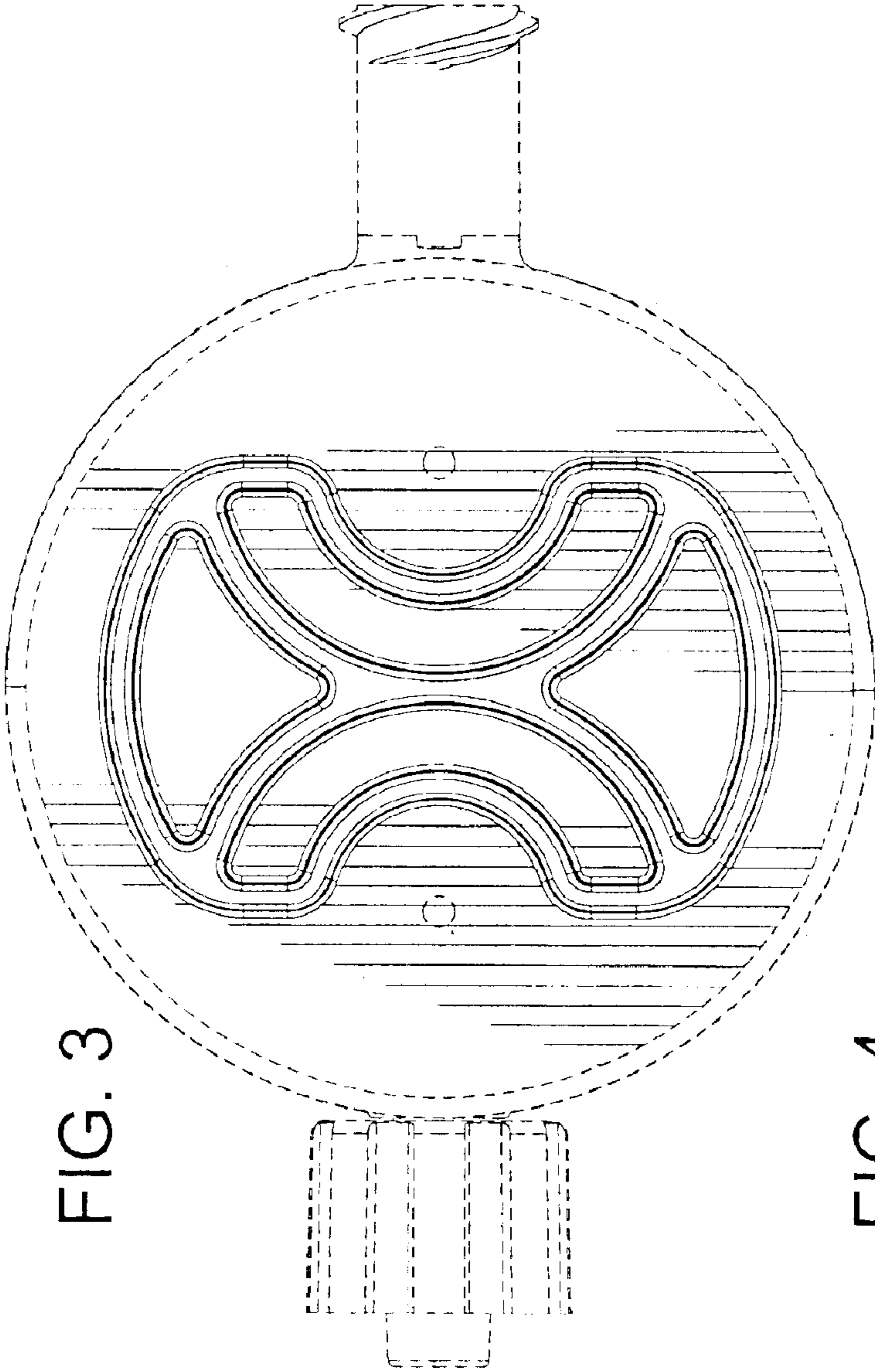


FIG. 3

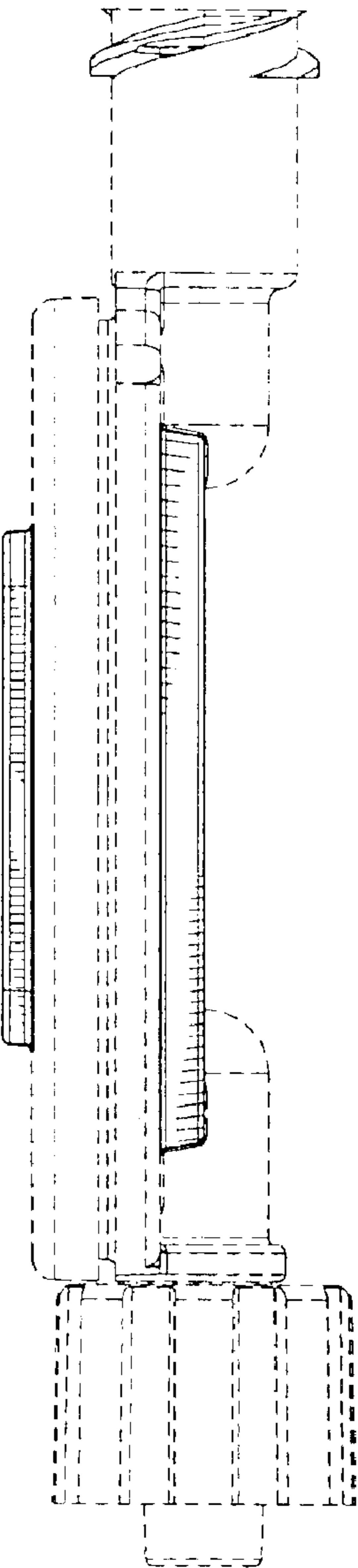


FIG. 4

FIG. 5

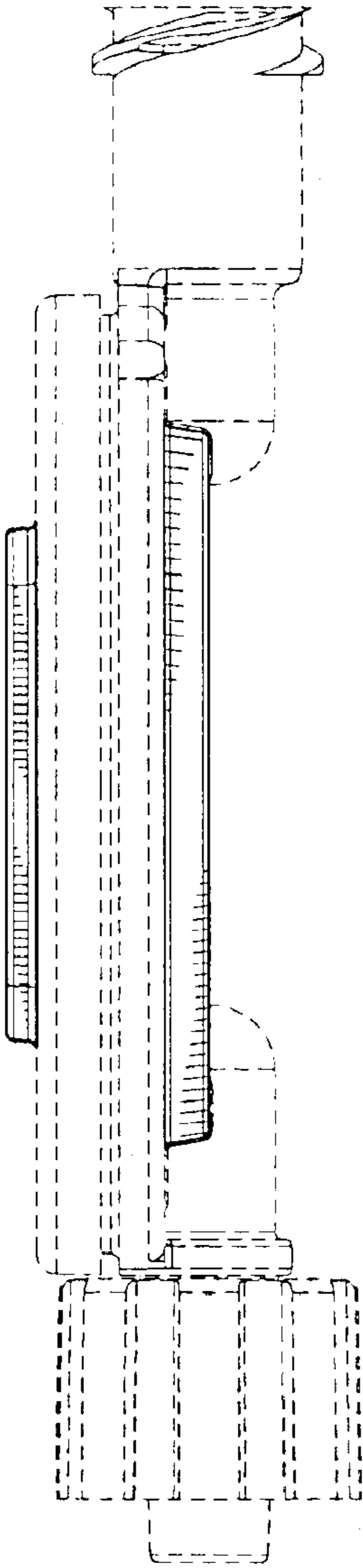


FIG. 6

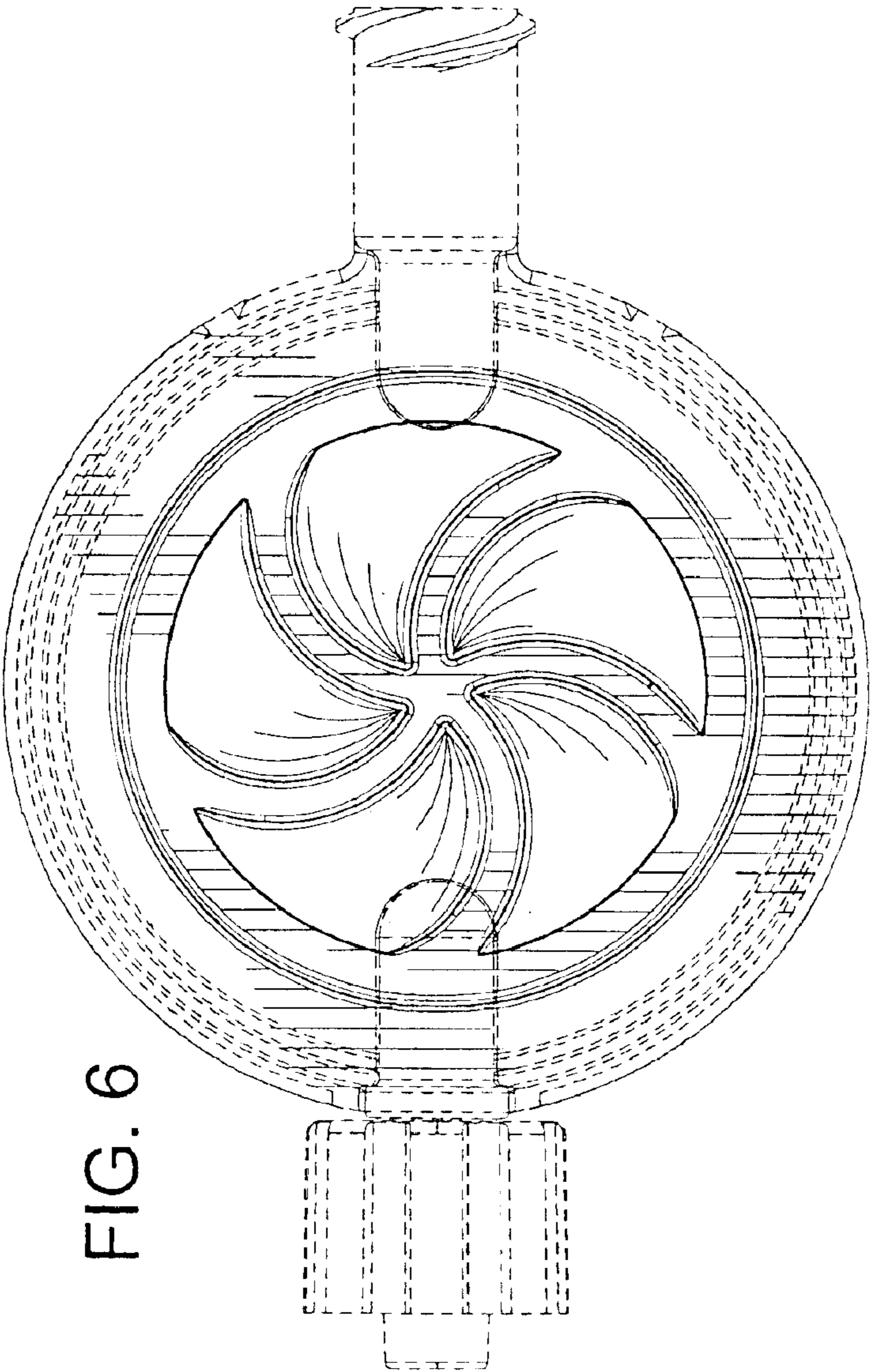


FIG. 7

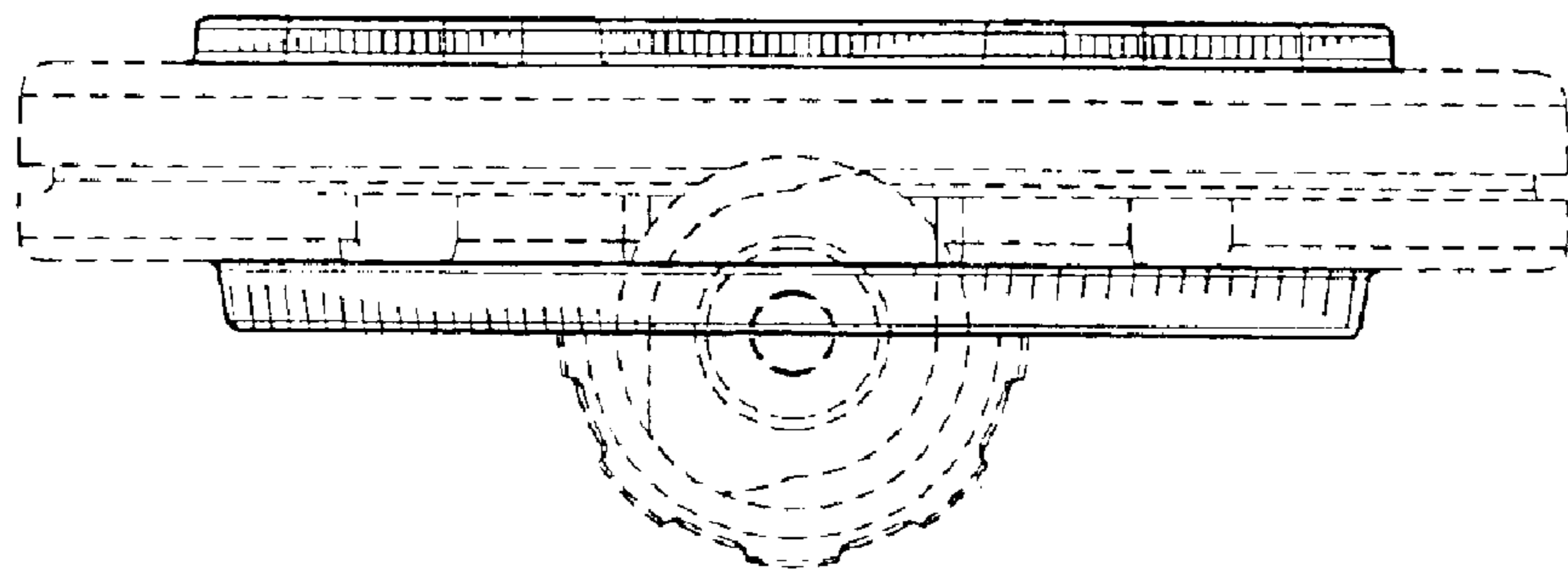


FIG. 8

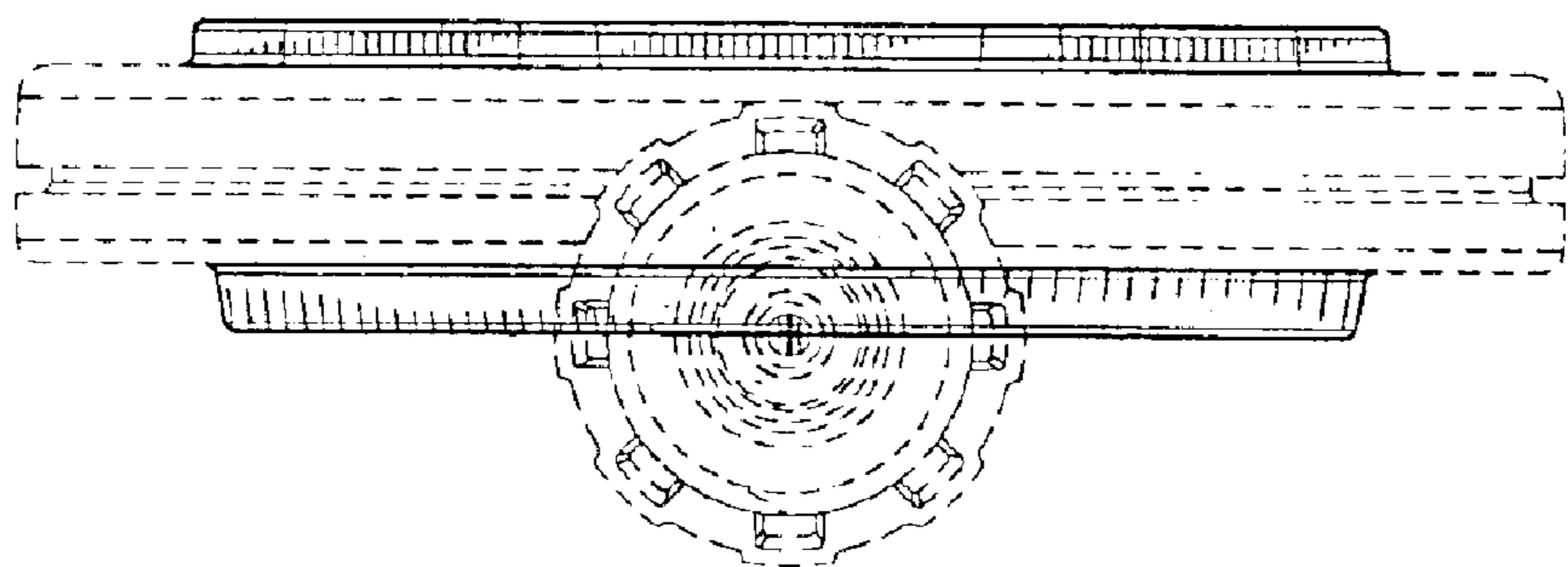


FIG. 9

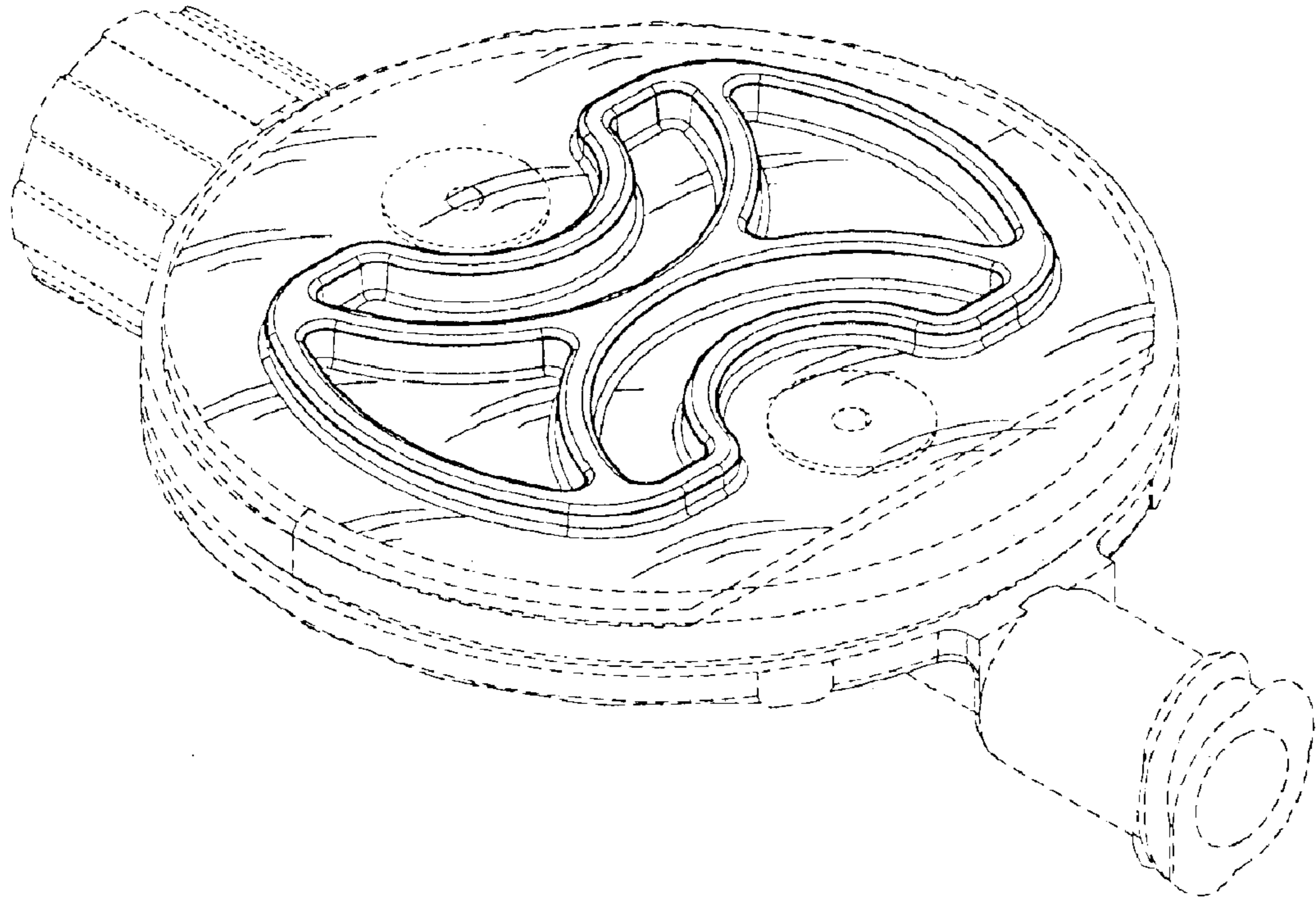
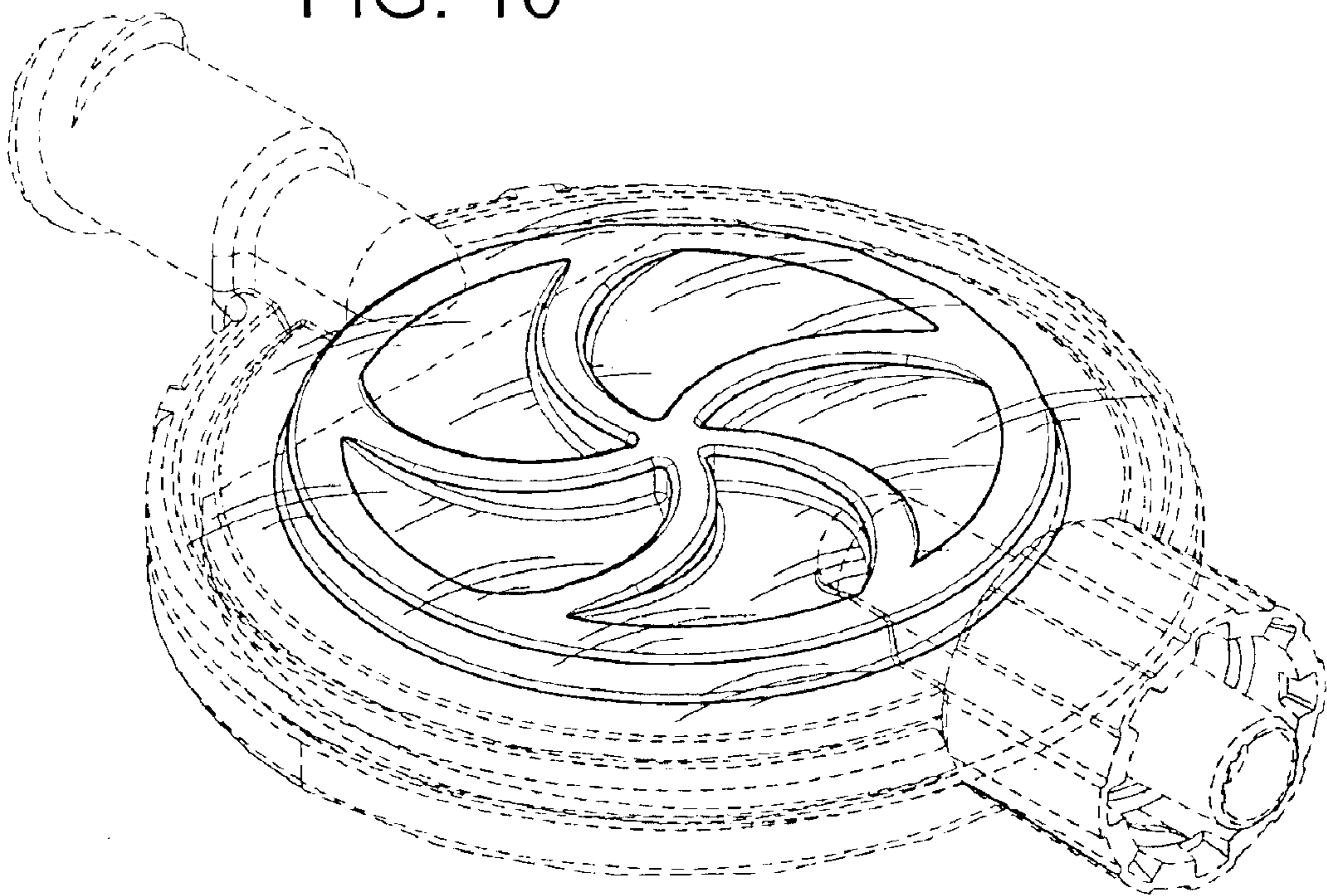


FIG. 10



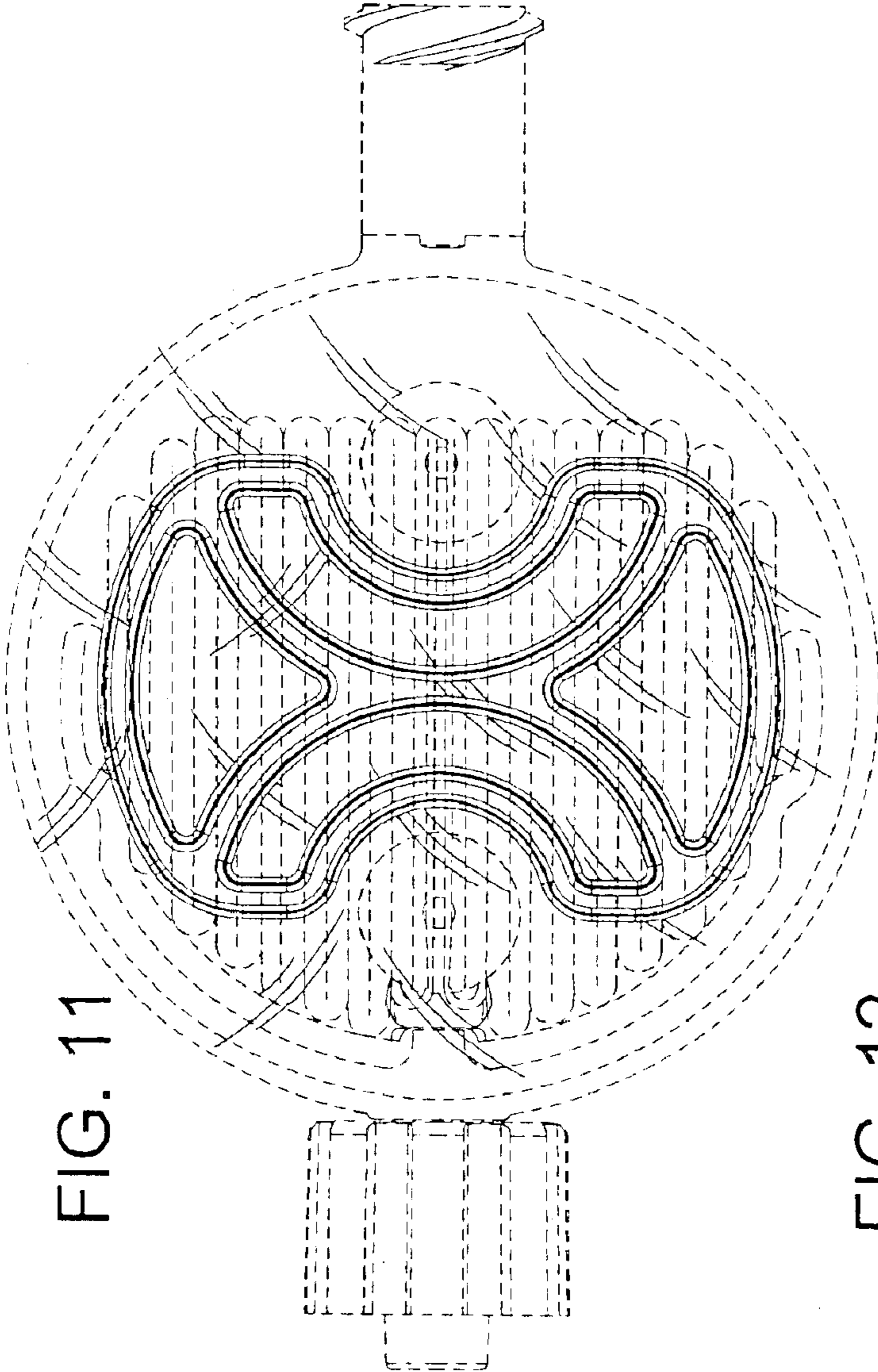


FIG. 11

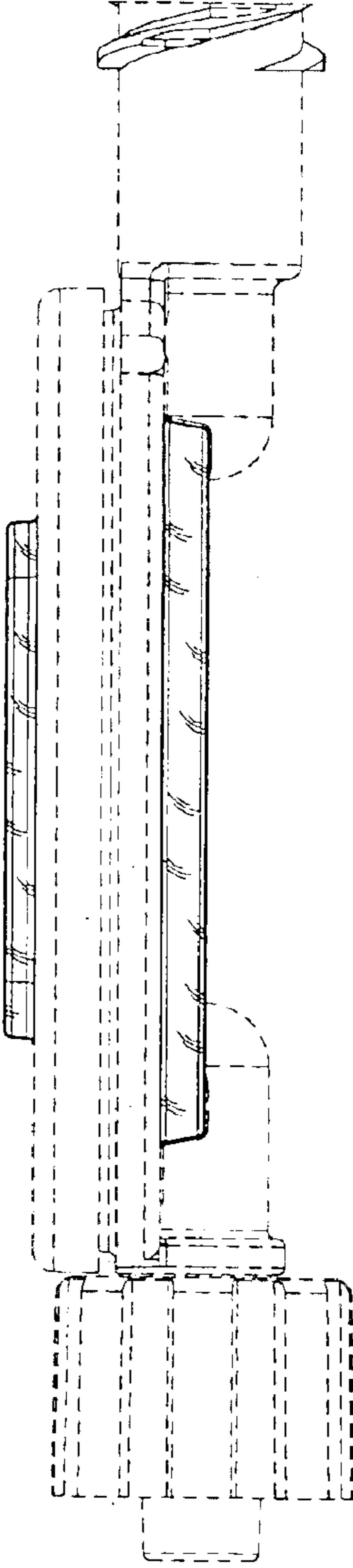


FIG. 12

FIG. 13

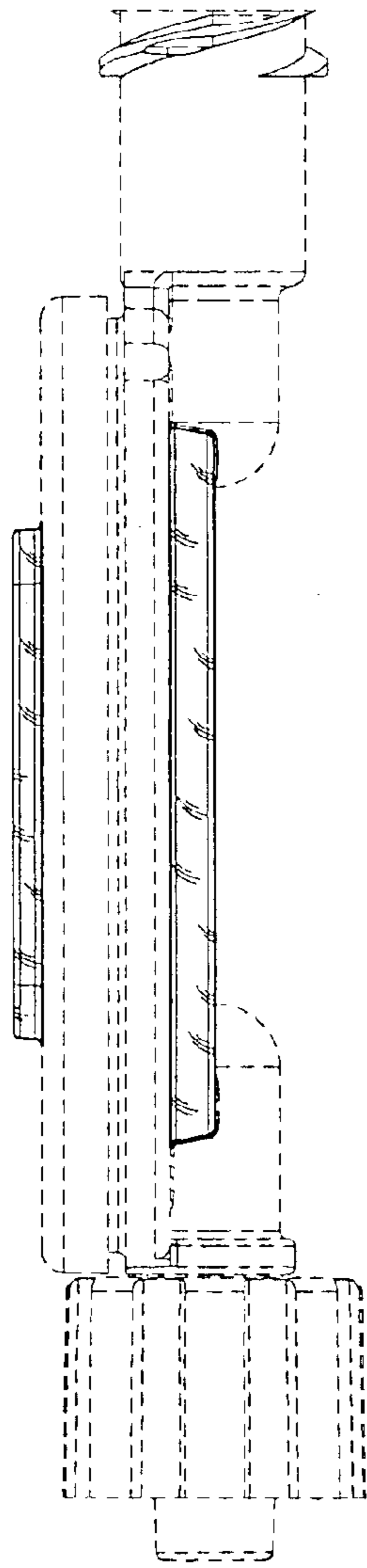


FIG. 14

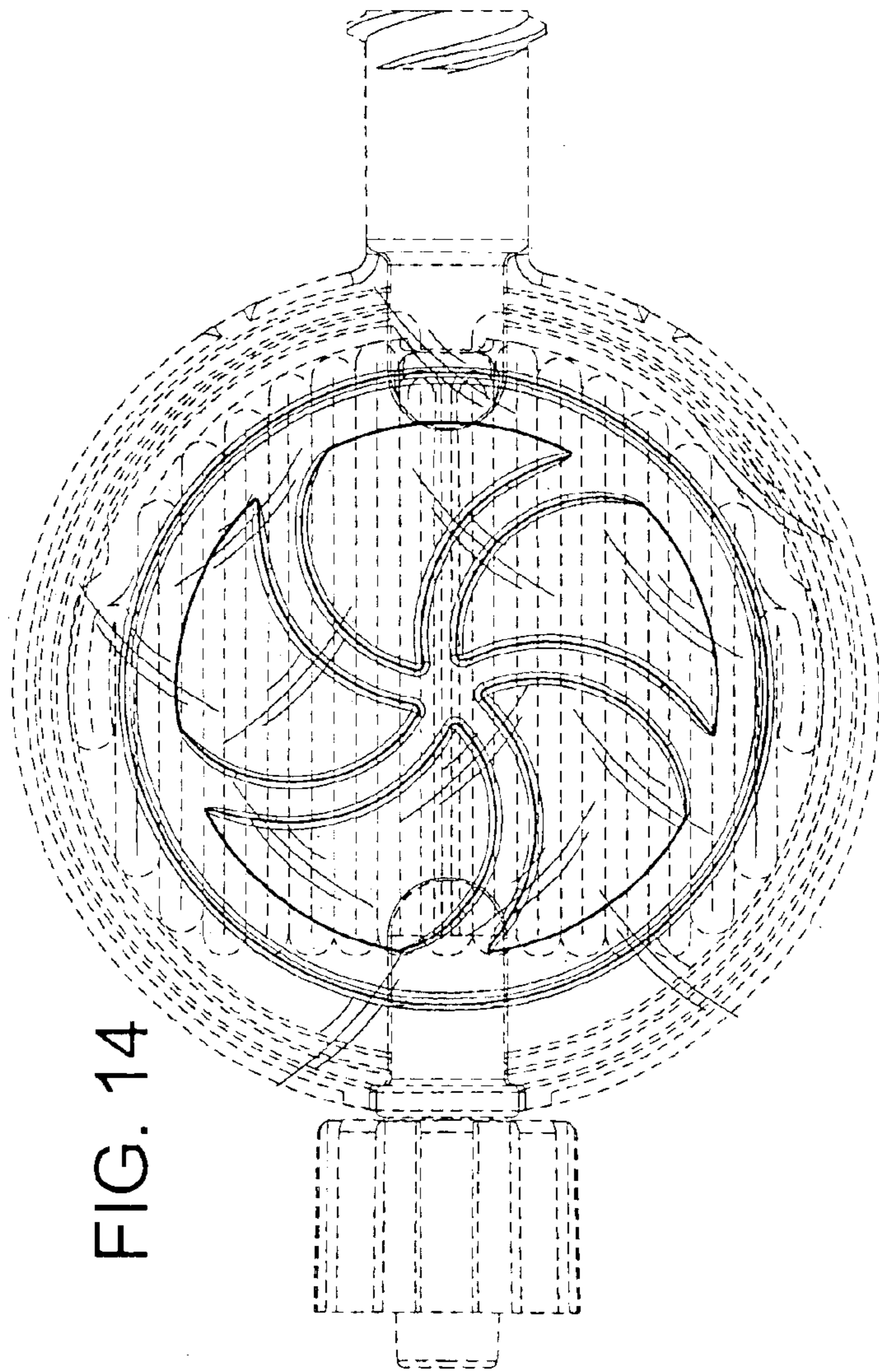


FIG. 15

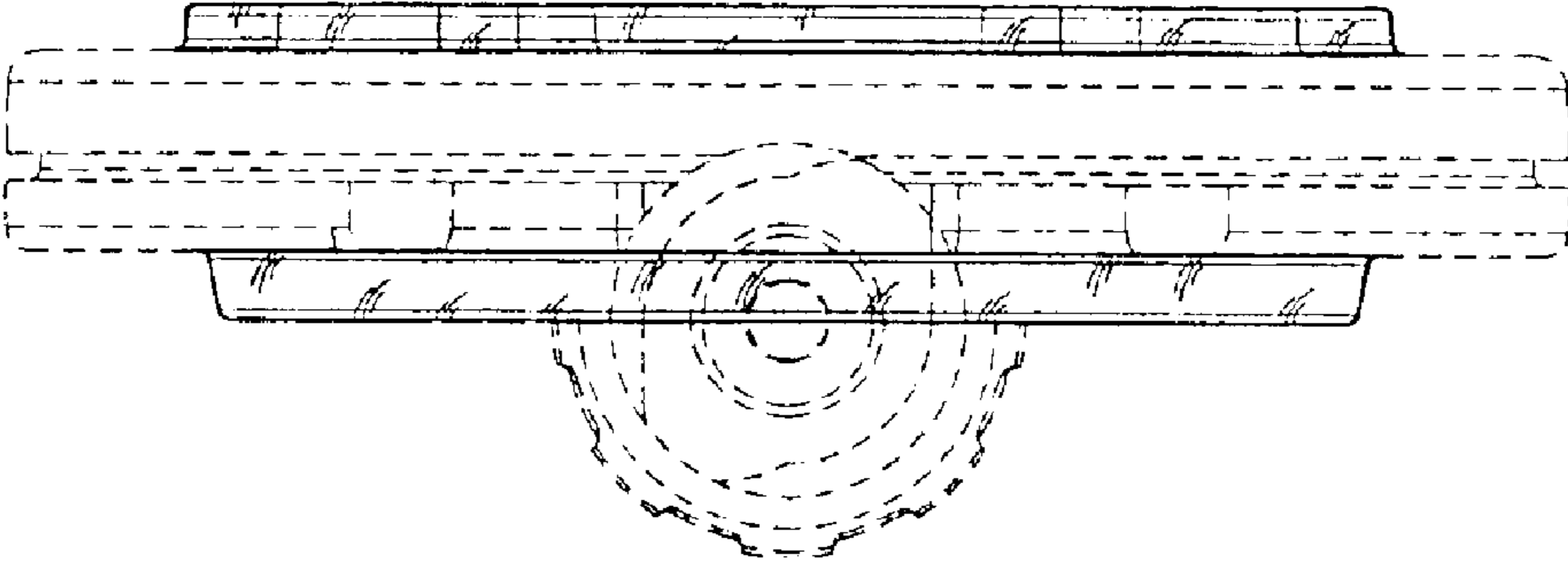


FIG. 16

