



US00D506550S

(12) **United States Design Patent**  
**Greenberg**

(10) **Patent No.:** **US D506,550 S**  
(45) **Date of Patent:** **\*\* Jun. 21, 2005**

(54) **MICRODERMABRASION HAND TOOL TIP**

(76) **Inventor:** **Ronald Allan Greenberg**, 41 Kintyre Road, Woodforde, South Australia 5072 (AU)

(\*\*) **Term:** **14 Years**

(21) **Appl. No.:** **29/185,499**

(22) **Filed:** **Jun. 26, 2003**

(51) **LOC (8) Cl.** ..... **24-02**

(52) **U.S. Cl.** ..... **D24/133; D24/146**

(58) **Field of Search** ..... D24/133, 146, D24/147; 606/131, 167; 604/289, 313; 451/90, 87, 102

(56) **References Cited**

**U.S. PATENT DOCUMENTS**

- 5,788,667 A \* 8/1998 Stoller ..... 606/167
- 5,971,999 A \* 10/1999 Naldoni ..... 606/131
- D441,863 S \* 5/2001 Khalaj et al. .... D24/133
- 6,250,996 B1 \* 6/2001 Metcalf et al. .... 451/87

- D451,196 S \* 11/2001 Block et al. .... D24/133
- 6,511,486 B2 \* 1/2003 Mercier et al. .... 606/131
- 6,673,082 B2 \* 1/2004 Mallett et al. .... 606/131
- 2004/0138680 A1 \* 7/2004 Twitchell et al. .... 606/131

\* cited by examiner

*Primary Examiner*—Ian Simmons

(74) *Attorney, Agent, or Firm*—Sand & Sebolt

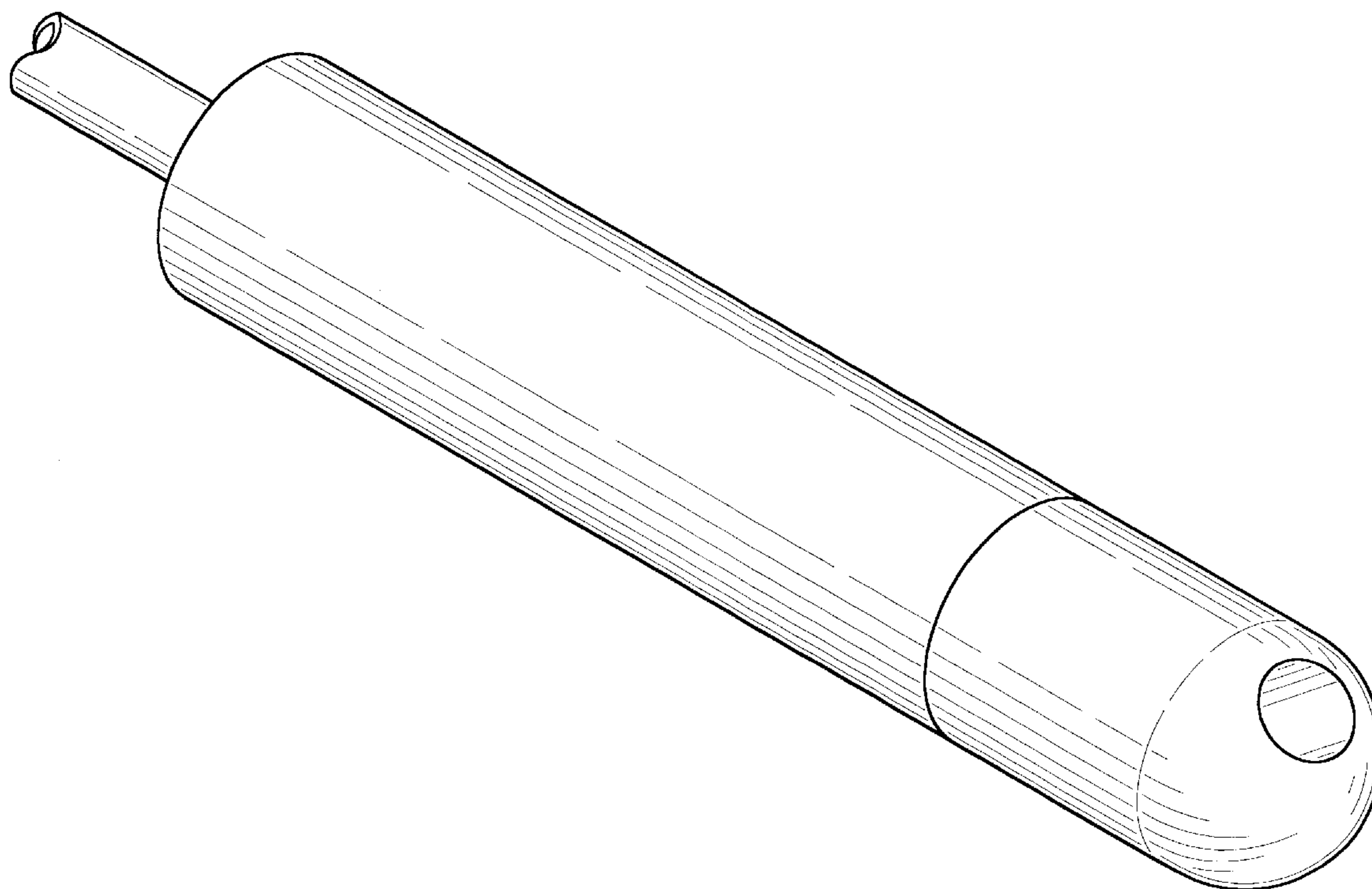
(57) **CLAIM**

The ornamental design for a microdermabrasion hand tool tip, as shown and described.

**DESCRIPTION**

FIG. 1 is a top view of the microdermabrasion hand tool tip in accordance with the present invention;  
 FIG. 2 is an underside view thereof;  
 FIG. 3 is a front view thereof;  
 FIG. 4 is a side view thereof;  
 FIG. 5 is a back view thereof; and,  
 FIG. 6 is a perspective view thereof.

**1 Claim, 2 Drawing Sheets**



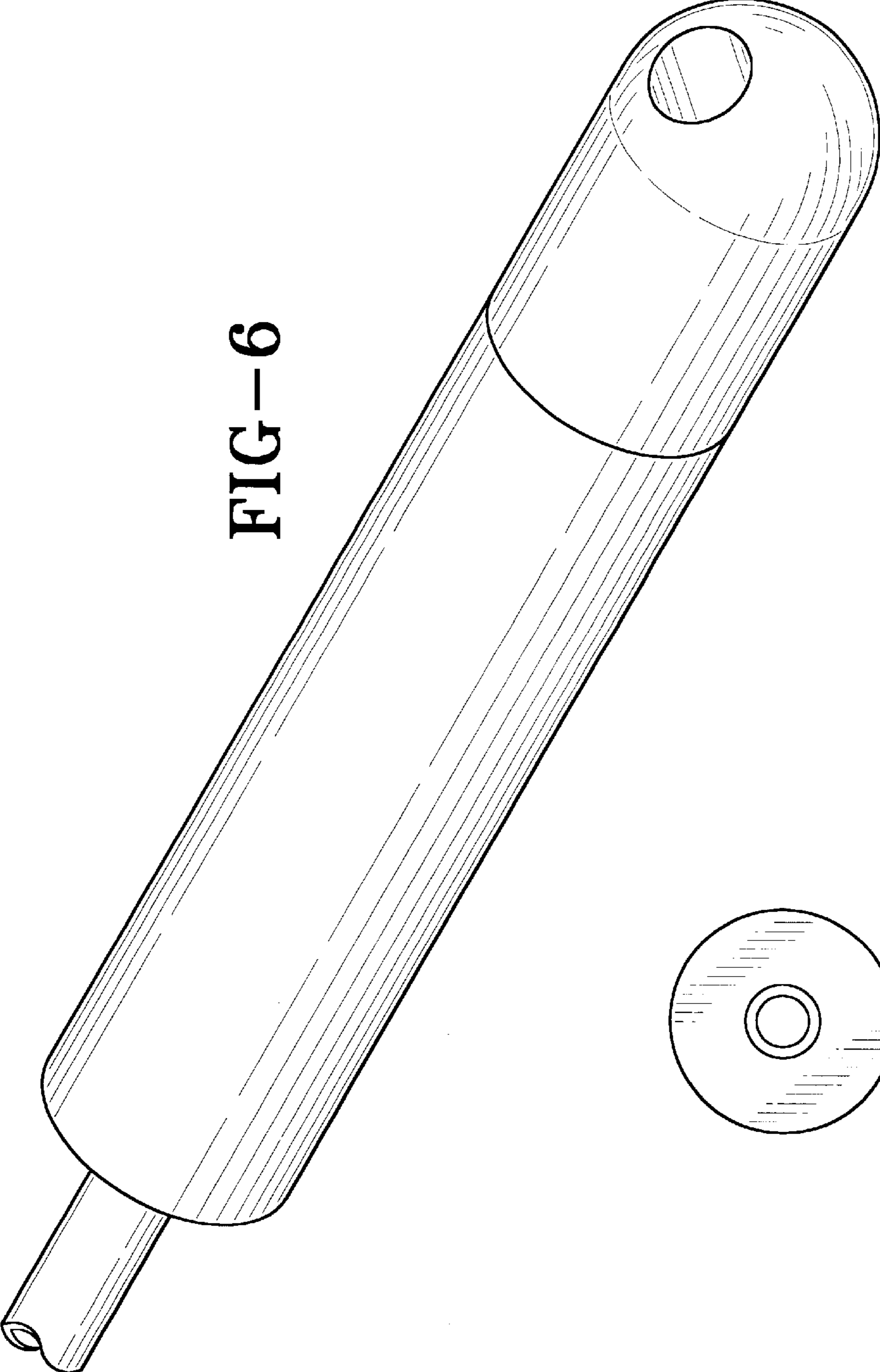


FIG-6



FIG-2

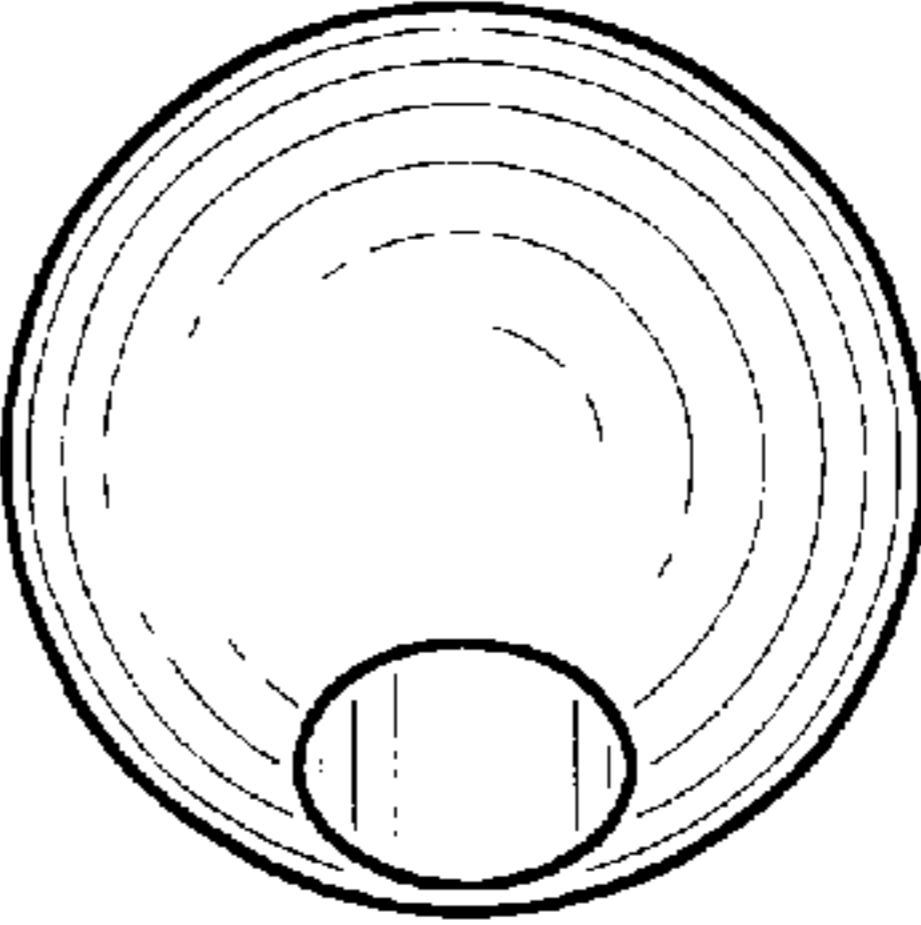


FIG-1

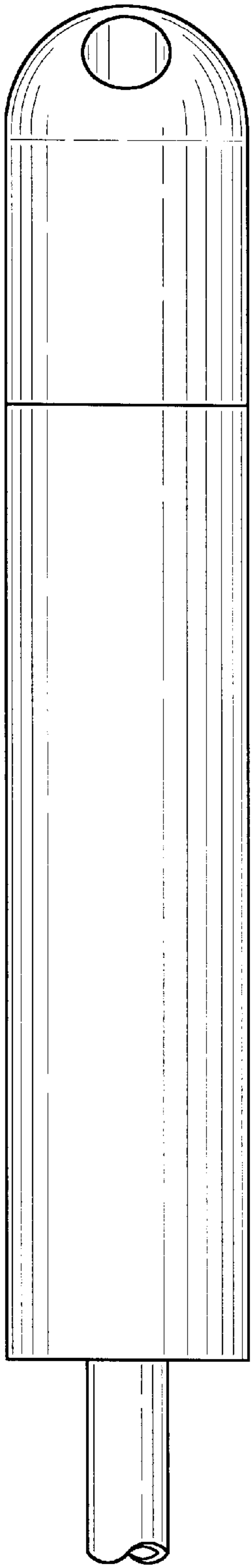


FIG-3

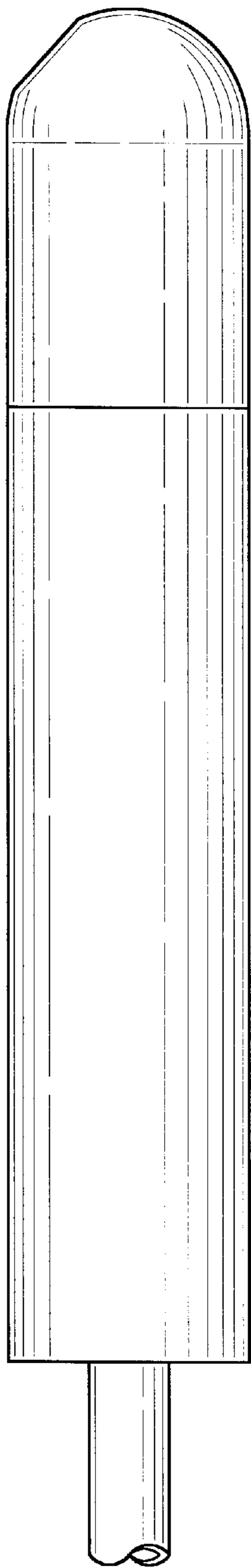


FIG-4

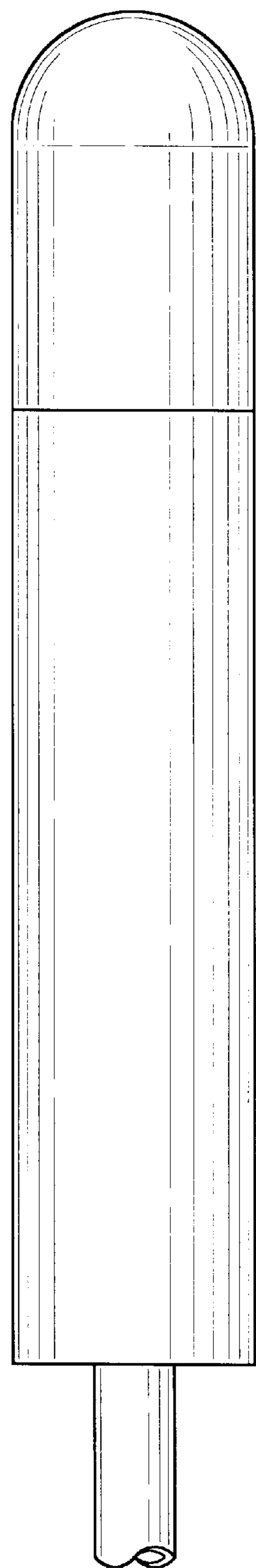


FIG-5