



US00D506549S

(12) **United States Design Patent**  
**Woods**

(10) **Patent No.:** **US D506,549 S**  
(45) **Date of Patent:** **\*\* Jun. 21, 2005**

(54) **SINGLE-USE NEEDLE HOLDER**

D476,742 S \* 7/2003 Wilkinson ..... D24/130  
D484,976 S \* 1/2004 Wilkinson ..... D24/130

(75) Inventor: **Jeffrey Woods**, Stafford Springs, CT  
(US)

\* cited by examiner

(73) Assignee: **ICU Medical, Inc.**, San Clemente, CA  
(US)

*Primary Examiner*—Ian Simmons

*Assistant Examiner*—Daniel Yu

(74) *Attorney, Agent, or Firm*—Knobbe Martens Olson &  
Bear LLP

(\*\*) Term: **14 Years**

(57) **CLAIM**

(21) Appl. No.: **29/209,115**

The ornamental design for a single-use needle holder, as  
shown and described.

(22) Filed: **Jul. 9, 2004**

(51) **LOC (8) Cl.** ..... **24-04**

(52) **U.S. Cl.** ..... **D24/130**

(58) **Field of Search** ..... D24/130, 112,  
D24/113, 114, 108; 600/573; 604/110, 263

**DESCRIPTION**

FIG. 1 is a perspective view of a single-use needle holder  
showing the new design;

FIG. 2 is a top plan view thereof;

FIG. 3 is a bottom plan view thereof;

FIG. 4 is a front/back elevation view thereof; and,

FIG. 5 is a left/right side elevation view thereof.

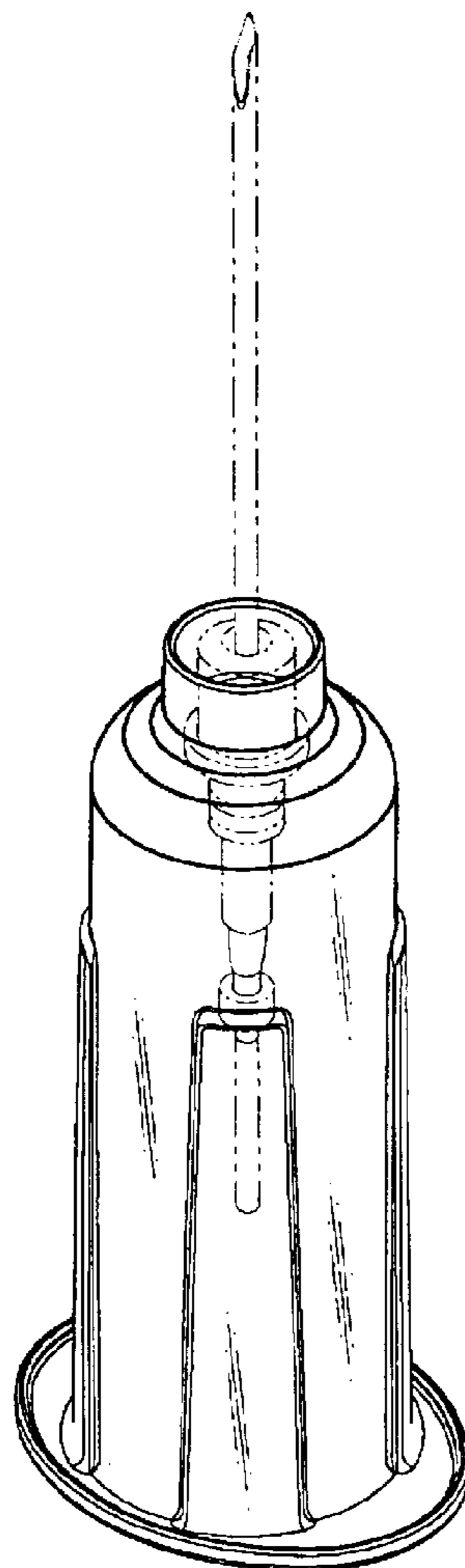
(56) **References Cited**

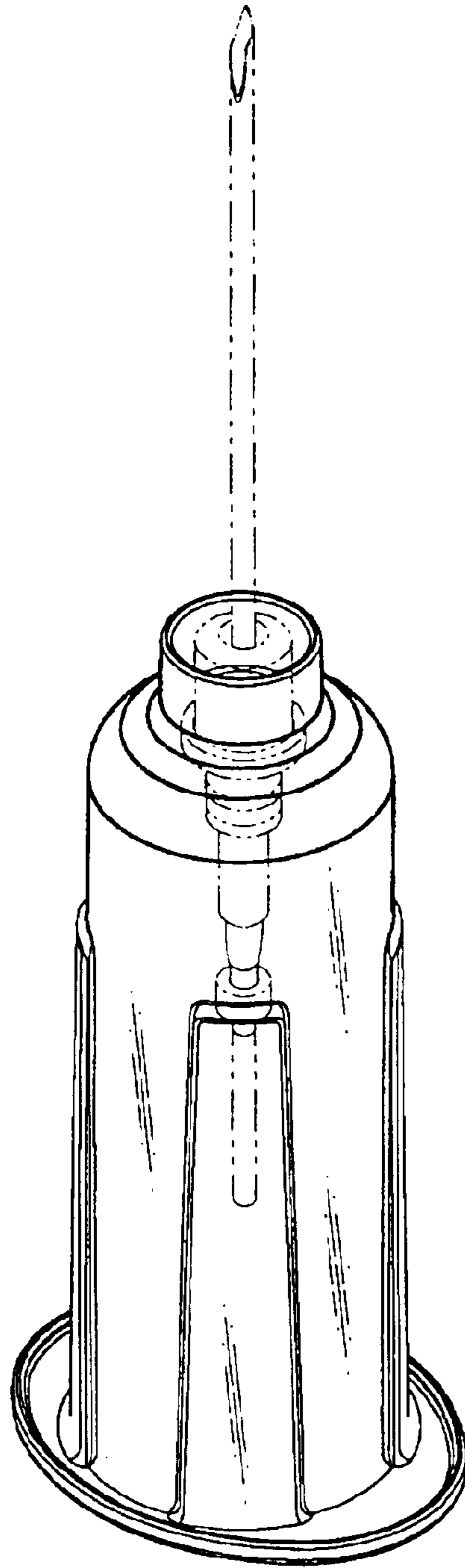
**U.S. PATENT DOCUMENTS**

D436,169 S \* 1/2001 Wilkinson et al. .... D24/130

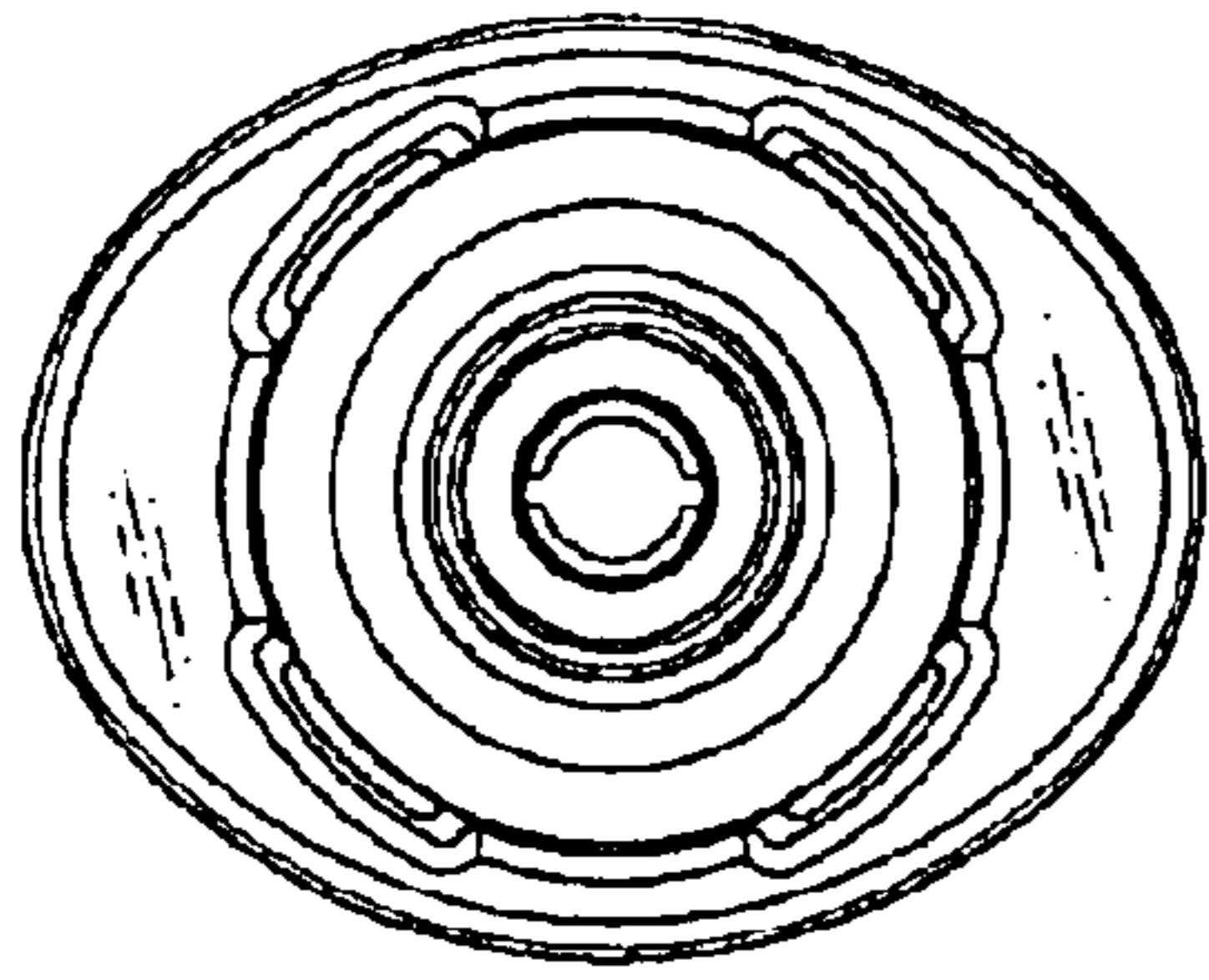
D461,245 S \* 8/2002 Niermann ..... D24/130

**1 Claim, 2 Drawing Sheets**

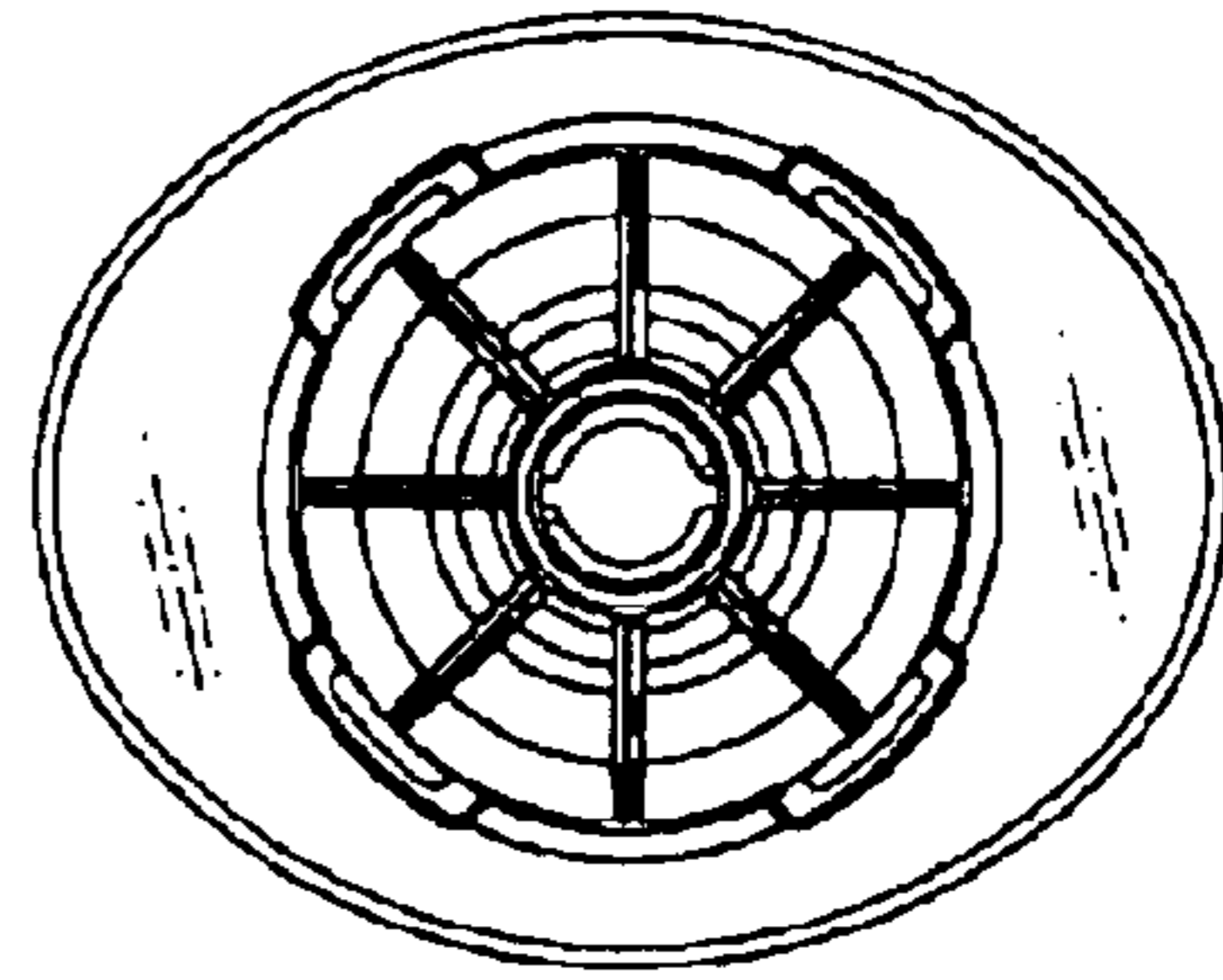




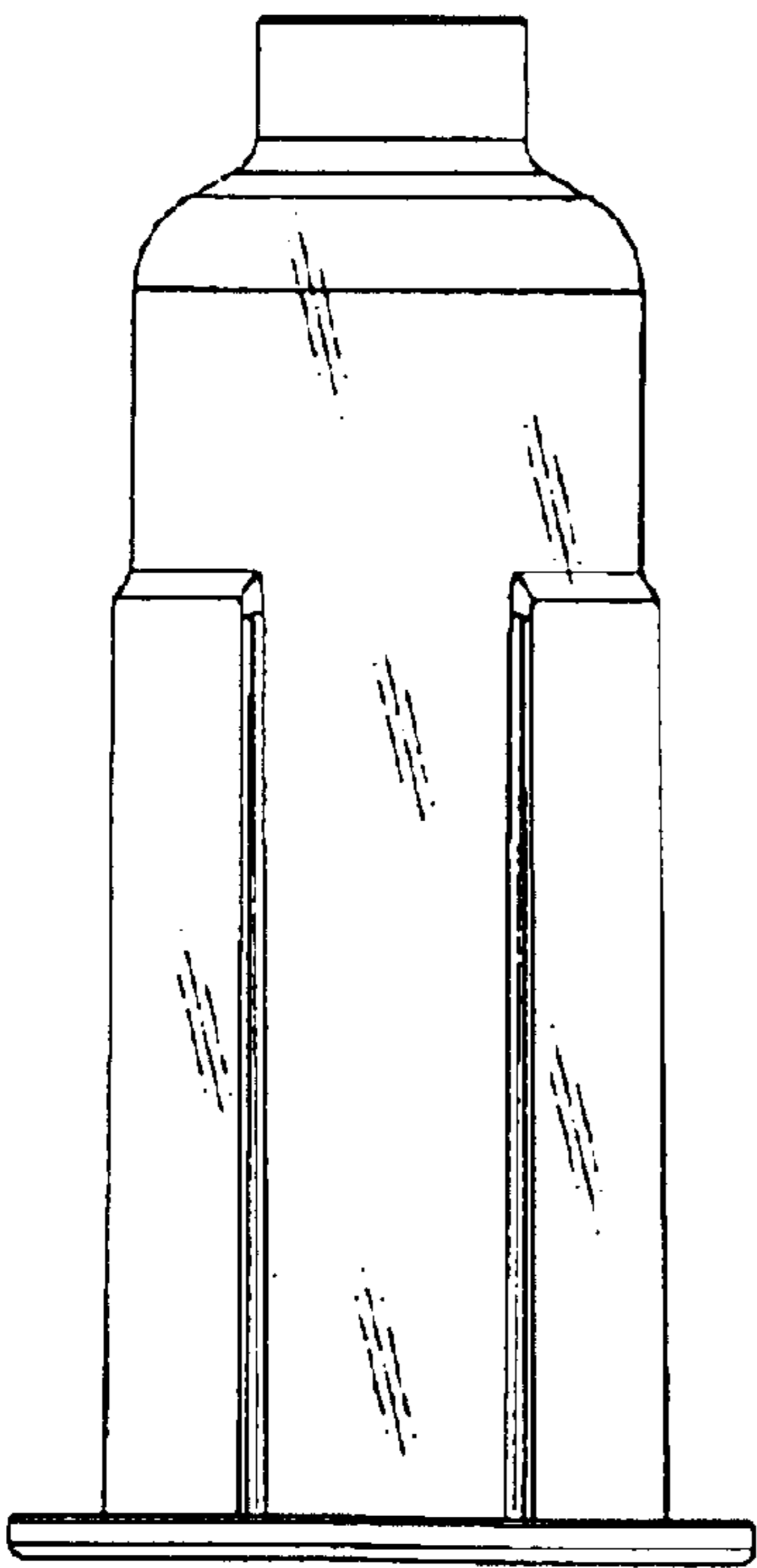
*FIG. 1*



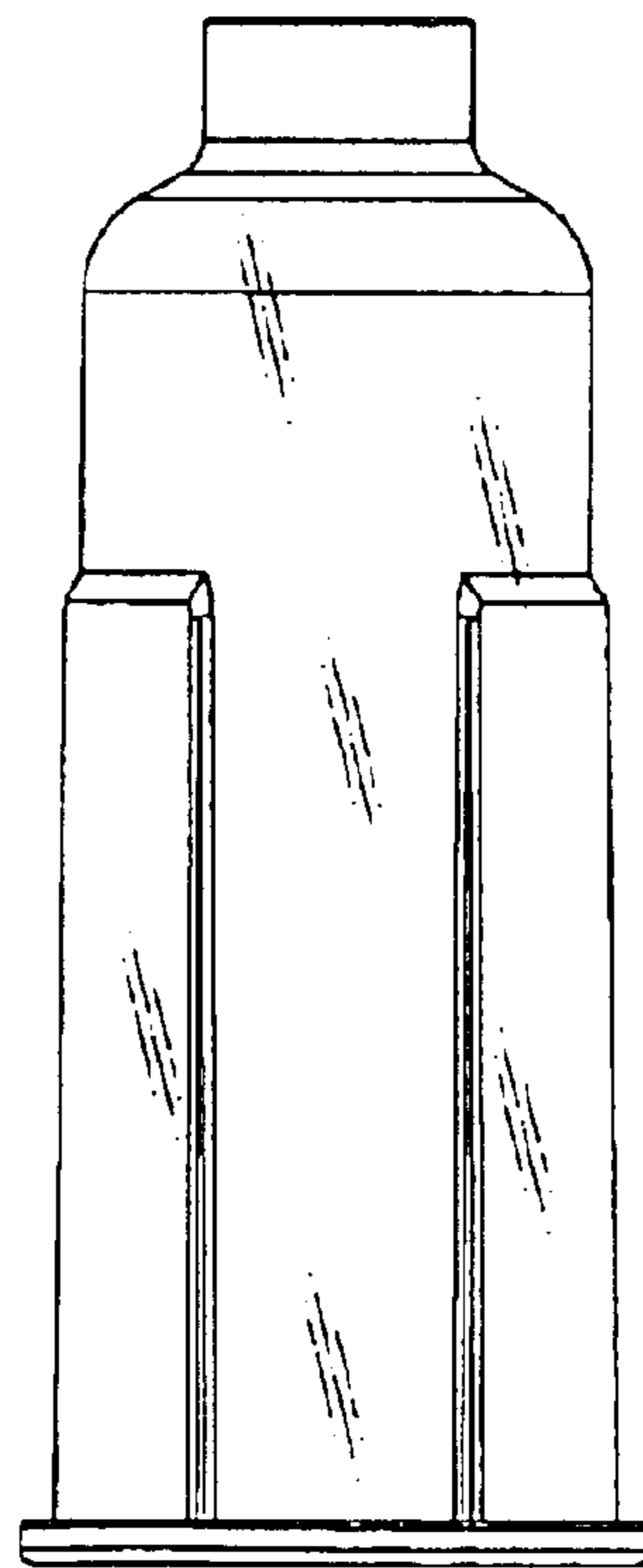
*FIG. 2*



*FIG. 3*



*FIG. 4*



*FIG. 5*