

US00D506548S

(12) **United States Design Patent**
Andrews et al.

(10) **Patent No.: US D506,548 S**
(45) **Date of Patent: ** Jun. 21, 2005**

(54) **COMBINED NEEDLE HUB WITH TWIST LOCK SHEATH**

(75) Inventors: **Marvin O. Andrews**, Bloomington, IN (US); **John H. Ward**, Bloomington, IN (US)

(73) Assignee: **Cook Urological Incorporated**, Spencer, IN (US)

(**) Term: **14 Years**

(21) Appl. No.: **29/194,818**

(22) Filed: **Dec. 2, 2003**

(51) **LOC (8) Cl.** **24-04**

(52) **U.S. Cl.** **D24/130**

(58) **Field of Search** D24/130, 112, D24/108; 604/164.08, 192, 263

(56) **References Cited**

U.S. PATENT DOCUMENTS

- 3,595,230 A * 7/1971 Suyeoka et al. 604/192
- D286,677 S * 11/1986 Osborne D24/112
- D355,031 S * 1/1995 Yoshikawa D24/112
- D483,121 S * 12/2003 Drewes et al. D24/130

* cited by examiner

Primary Examiner—Ian Simmons

Assistant Examiner—Daniel Yu

(74) *Attorney, Agent, or Firm*—Brinks Hofer Gilson & Lione

(57) **CLAIM**

The ornamental designs for a combined needle hub with twist lock sheath, as shown and described.

DESCRIPTION

FIG. 1 is a perspective view of a first embodiment of a combined needle hub with twist lock sheath showing one of our new designs;

FIG. 2 is a left side elevational view thereof, with the sheath shown broken in the center for ease of illustration;

FIG. 3 is a right side elevational view thereof,

FIG. 4 is a top plan view thereof;

FIG. 5 is a bottom plan view thereof;

FIG. 6 is a front elevational view of the embodiment of FIG. 1;

FIG. 7 is a rear elevational view of the embodiment of FIG. 1;

FIG. 8 is a perspective view of a second embodiment of a combined needle hub with twist lock sheath showing a second new design;

FIG. 9 is a left side elevational view thereof, with the sheath shown broken in the center for ease of illustration;

FIG. 10 is a right side elevational view thereof,

FIG. 11 is a top plan view thereof;

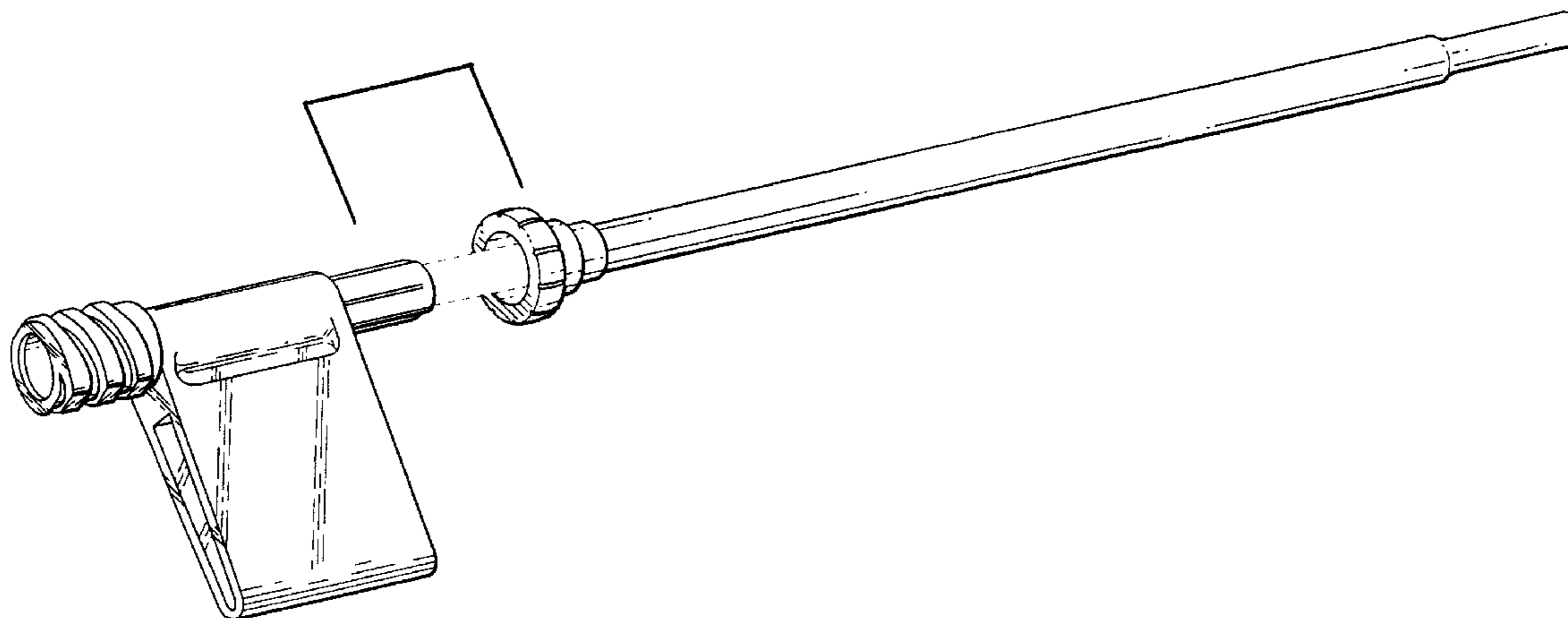
FIG. 12 is a bottom plan view thereof;

FIG. 13 is a front elevational view of the embodiment of FIG. 8; and,

FIG. 14 is a rear elevational view of the embodiment of FIG. 8.

The broken line shown is for illustrative purposes only and forms no part of the claimed design.

1 Claim, 8 Drawing Sheets



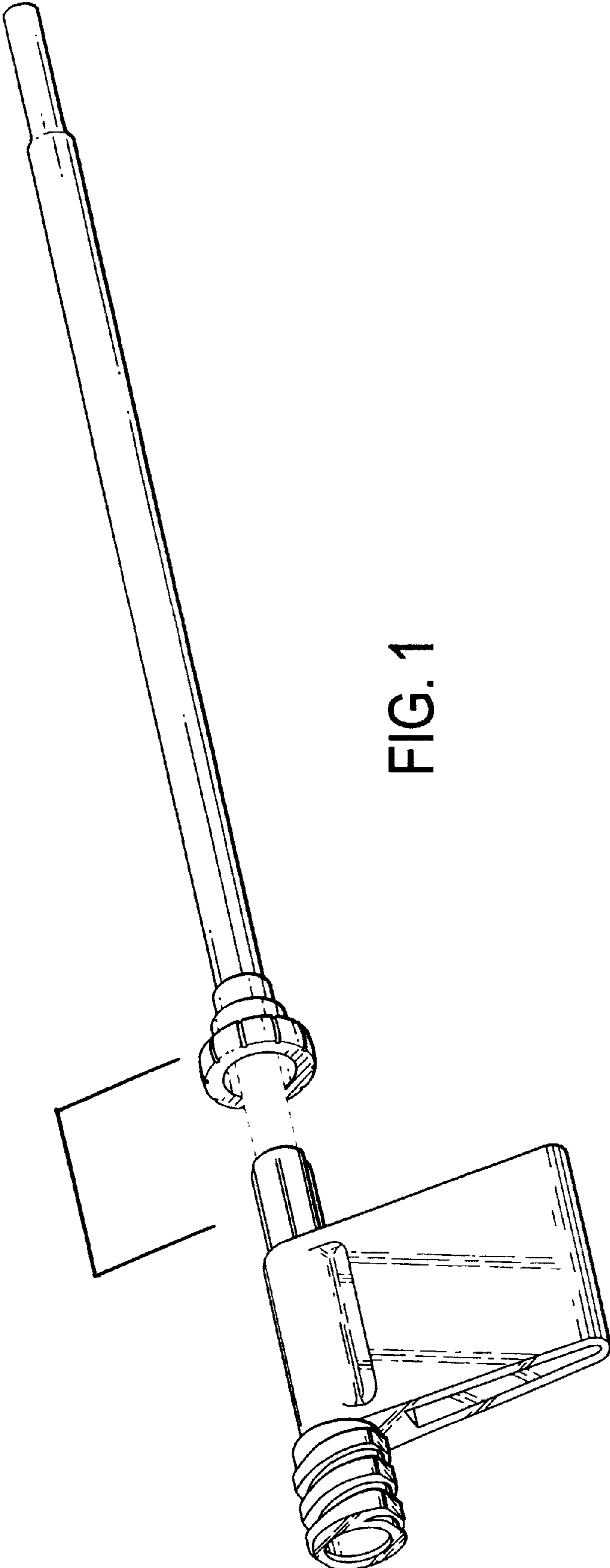
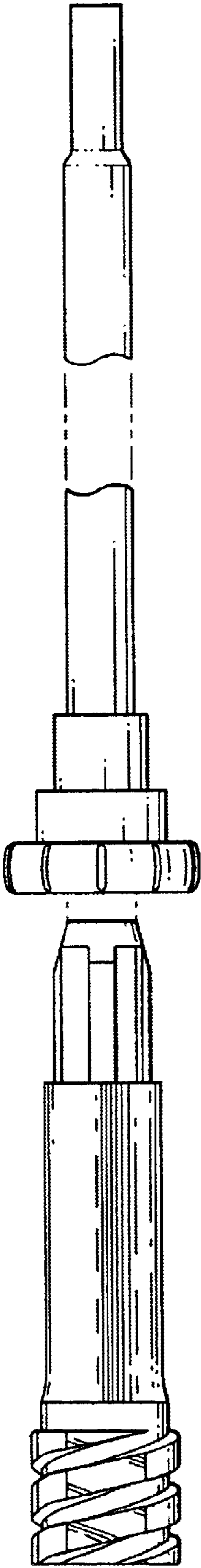
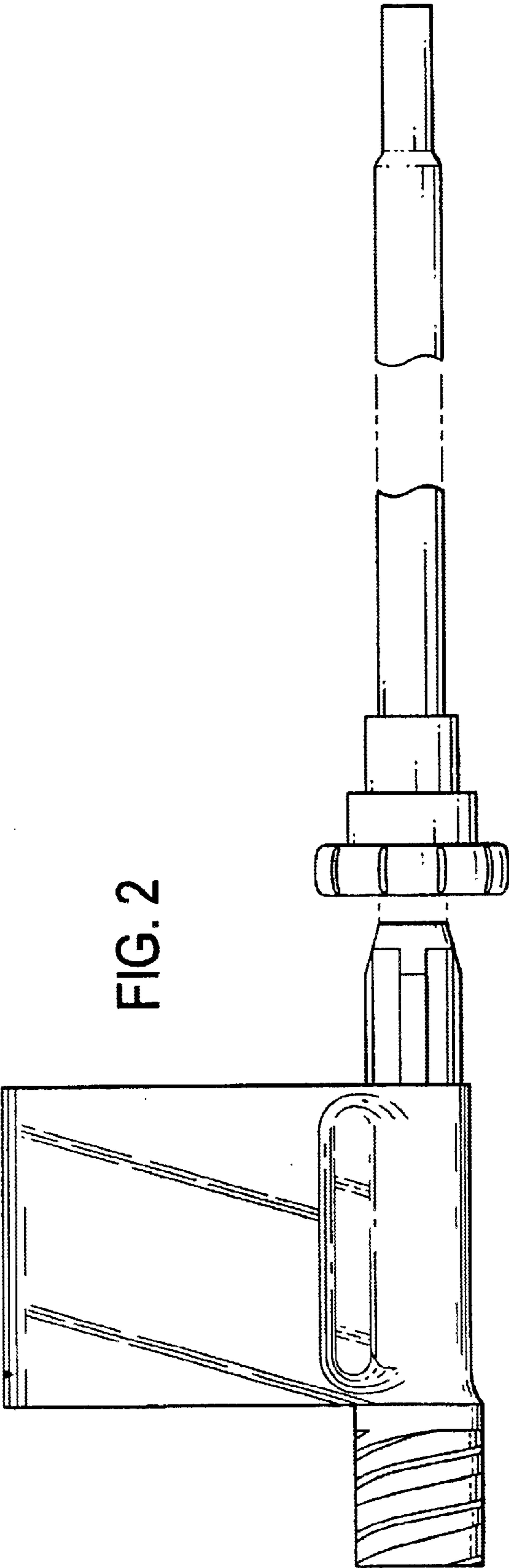


FIG. 1



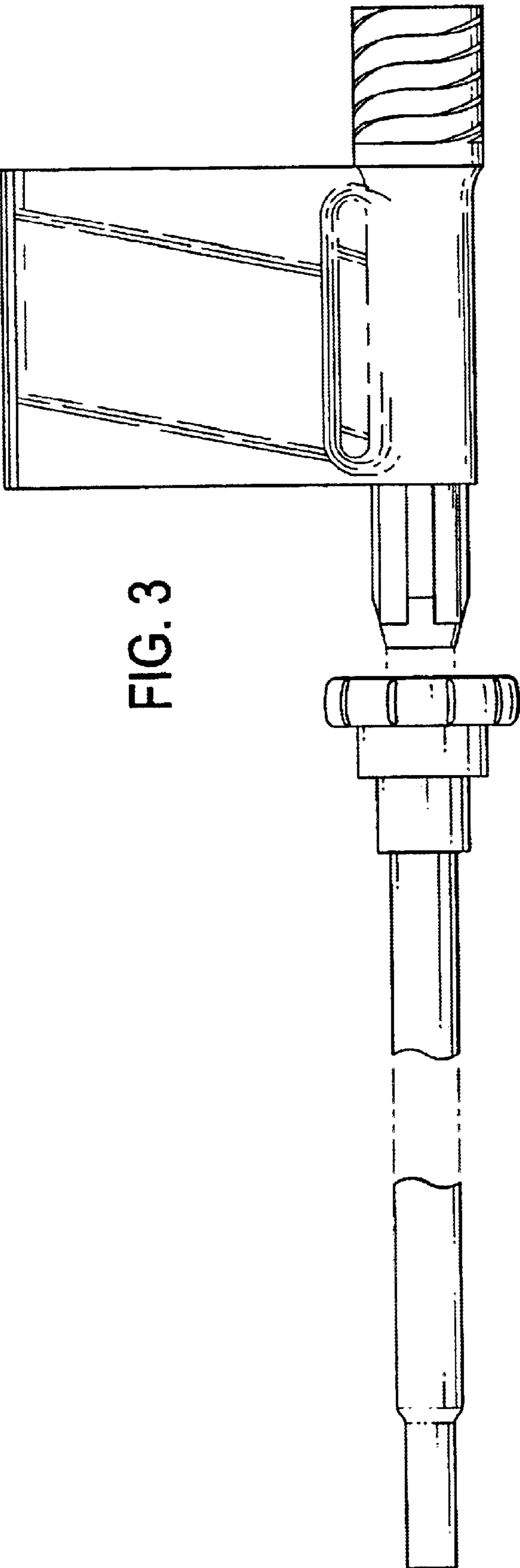


FIG. 3

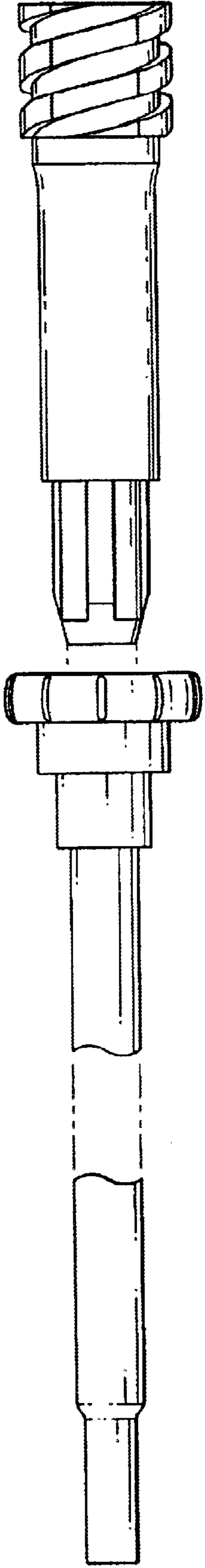


FIG. 5

FIG. 7

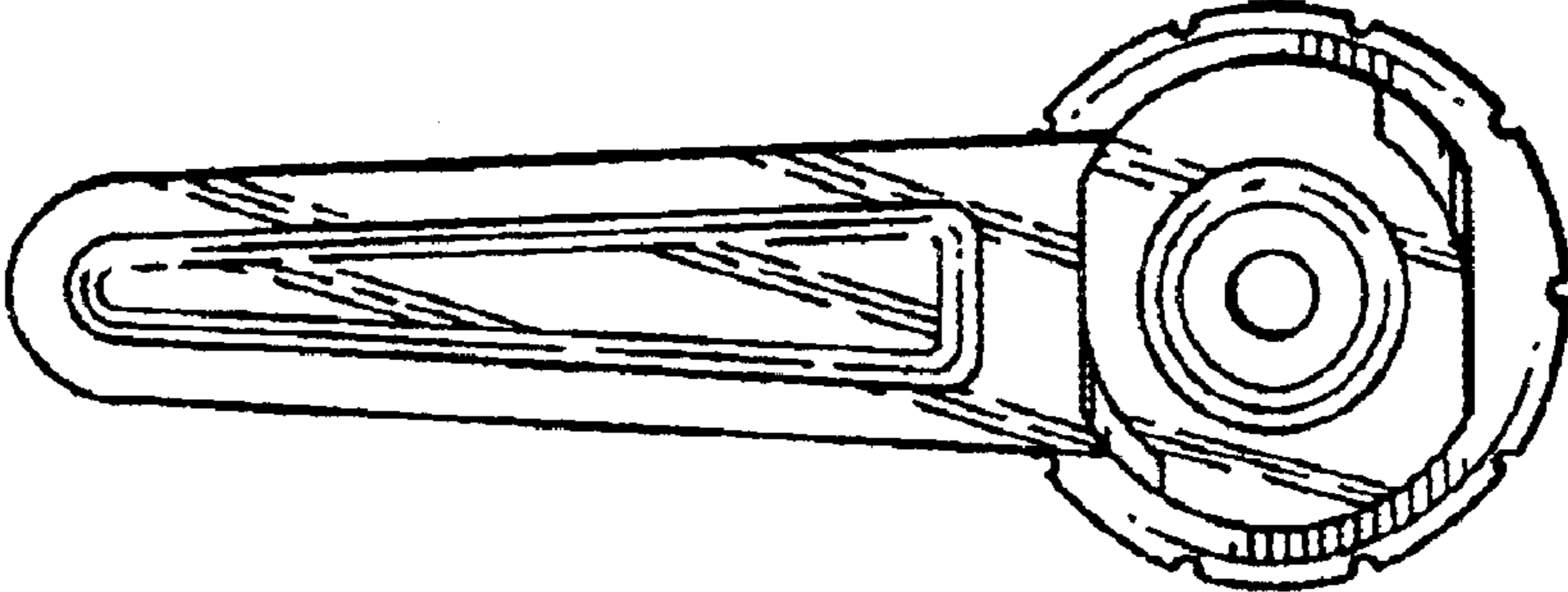
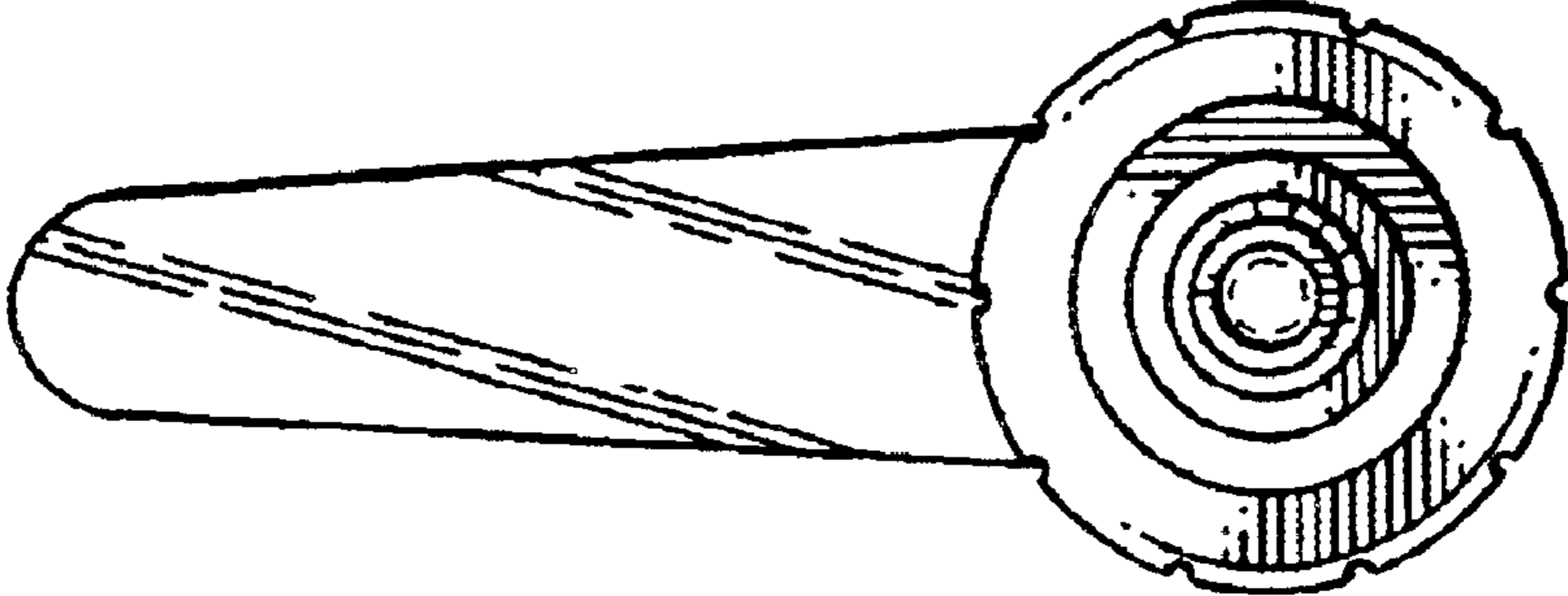


FIG. 6



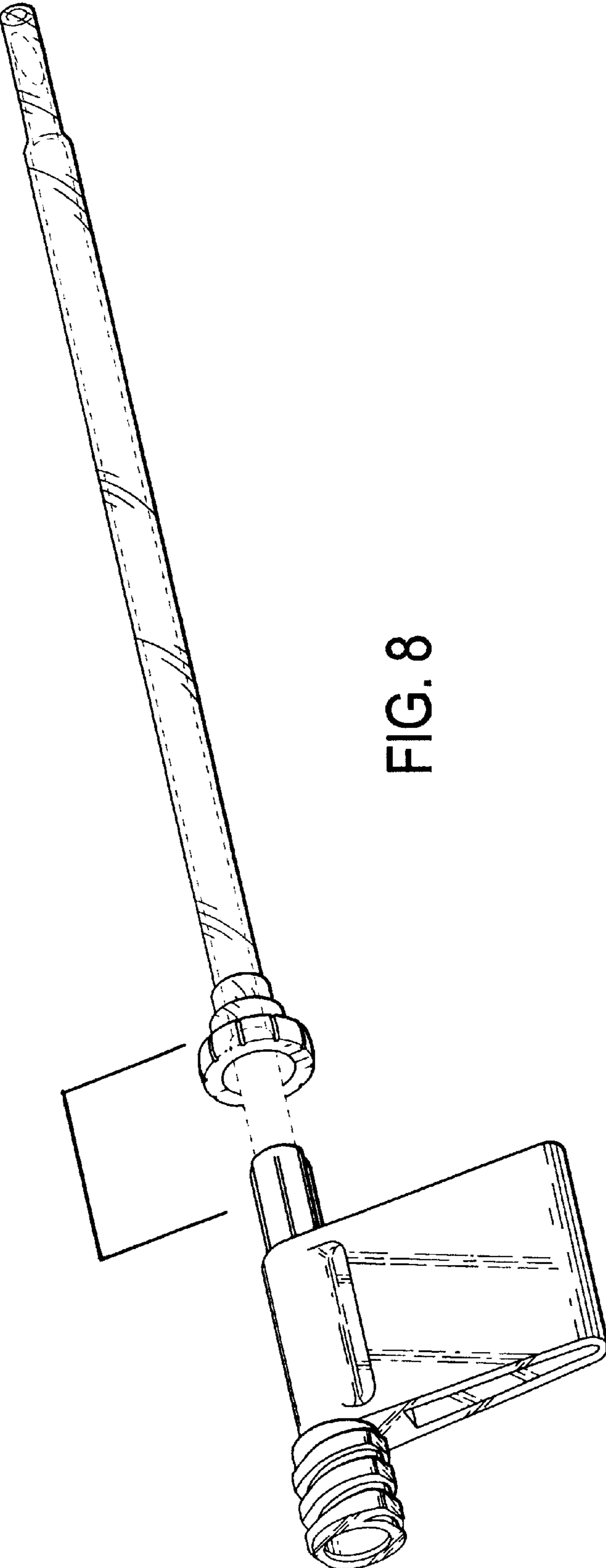


FIG. 8

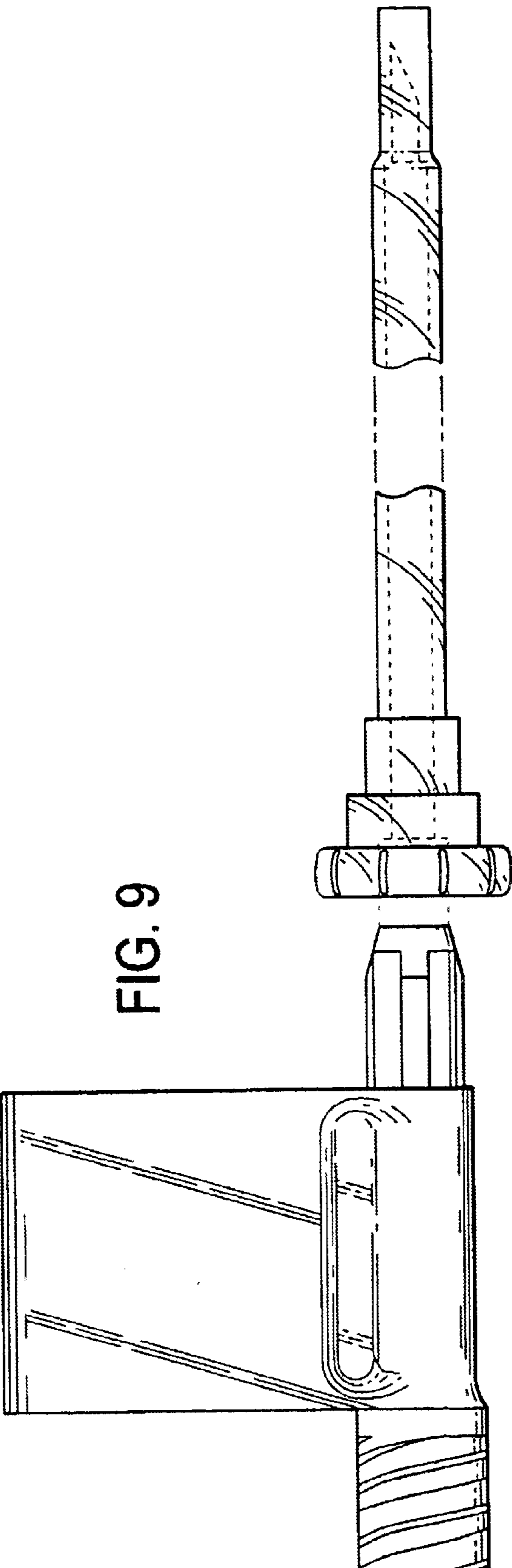


FIG. 9

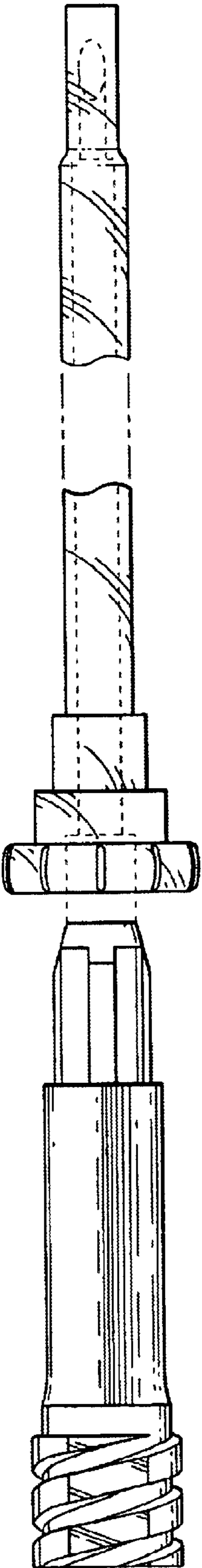


FIG. 11

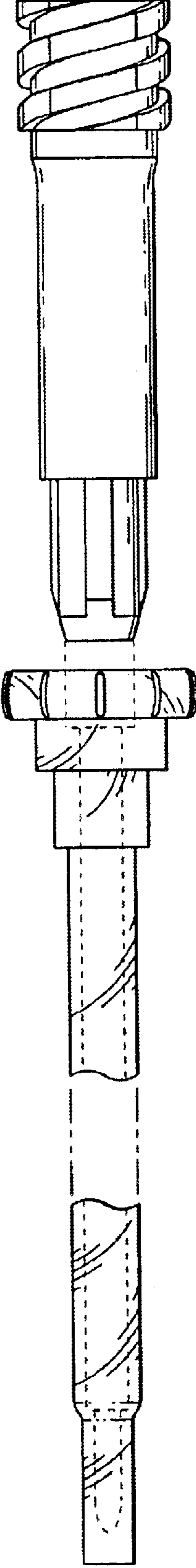
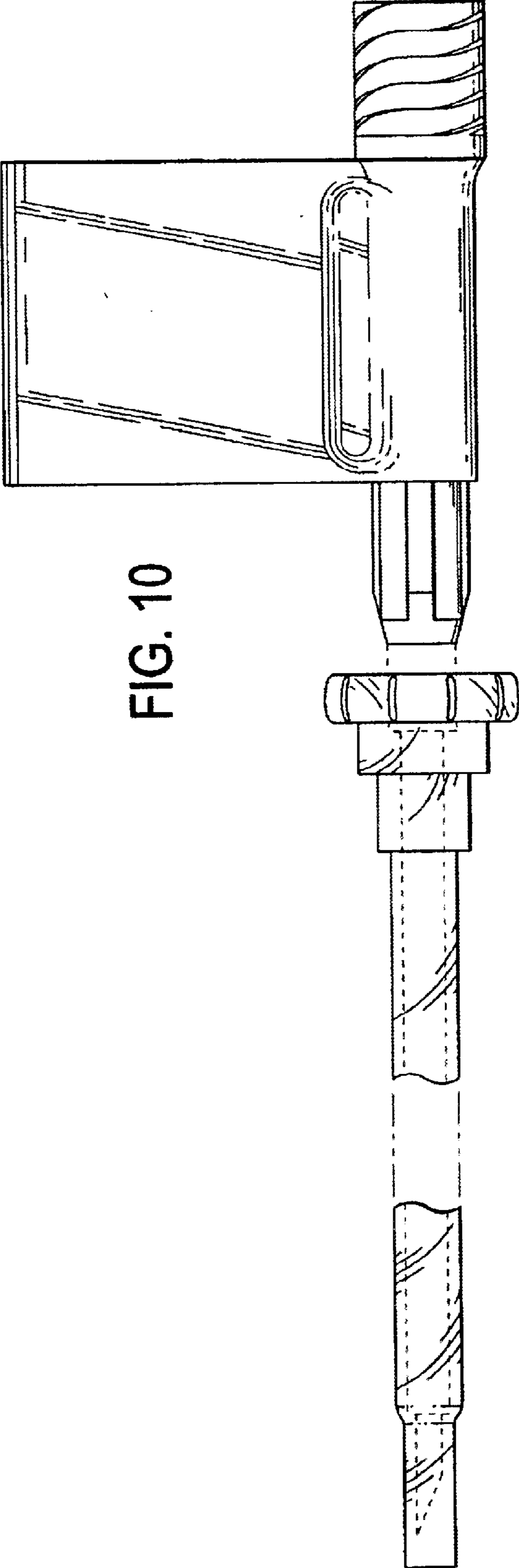


FIG. 14

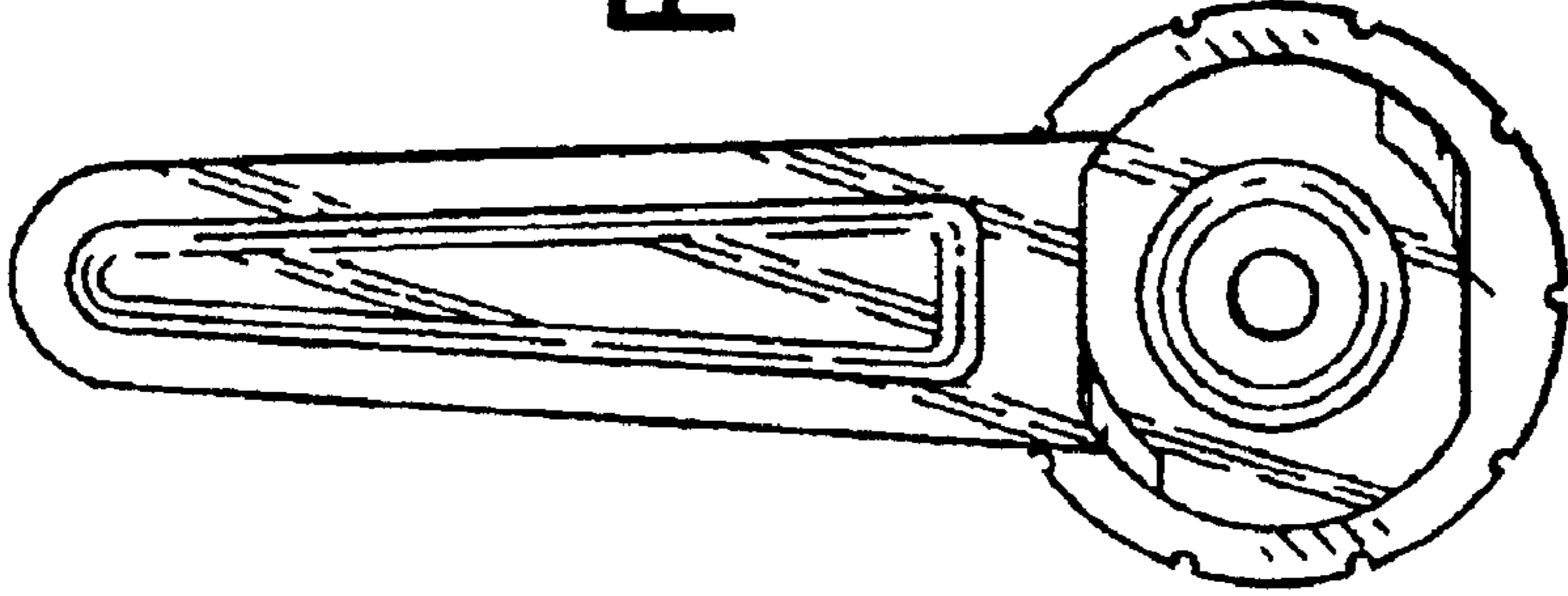


FIG. 13

