

US00D506545S

(12) **United States Design Patent** (10) **Patent No.:** **US D506,545 S**
McAllister et al. (45) **Date of Patent:** **** Jun. 21, 2005**

- (54) **CAPSULE LINKER**
- (75) Inventors: **Stephen Mark McAllister**, Harlow (GB); **Brian Hewitt**, Hertfordshire (GB)
- (73) Assignee: **SmithKline Beecham p.l.c.** (GB)
- (**) Term: **14 Years**
- (21) Appl. No.: **29/187,877**
- (22) Filed: **Aug. 11, 2003**

- D218,368 S 8/1970 Johnson
D225,627 S 12/1972 Gomel et al.
D258,091 S 1/1981 Reed et al.
D258,762 S 3/1981 Corrigan et al.
4,735,805 A 4/1988 Ni et al.
D301,763 S 6/1989 Rhoa et al.
D309,035 S 7/1990 Ni et al.
D377,085 S 12/1996 Tortarolo
D377,086 S 12/1996 Tortarolo
D396,537 S 8/1998 Stanton
D419,261 S 1/2000 Binstock et al.
D420,464 S 2/2000 Binstock et al.
D430,932 S 9/2000 Vickery et al.
D434,137 S 11/2000 Davis
D447,835 S 9/2001 Whitaker et al.
D481,456 S * 10/2003 McAllister et al. D24/104

Related U.S. Application Data

- (62) Division of application No. 29/164,732, filed on Jul. 29, 2002, now Pat. No. Des. 481,456.
- (51) **LOC (8) Cl.** **24-01**
- (52) **U.S. Cl.** **D24/104**
- (58) **Field of Search** D24/100, 101, D24/102, 103, 104; D28/8.1, 8.2; D1/112, 108; 424/732, 439, 451, 464, 467, 468; 426/78; D9/311; D21/440

* cited by examiner

Primary Examiner—Charles A. Rademaker
(74) *Attorney, Agent, or Firm*—Finnegan, Henderson, Farabow, Garrett & Dunner, L.L.P.

(57) **CLAIM**

The ornamental design for the capsule linker, as shown and described.

(56) **References Cited**

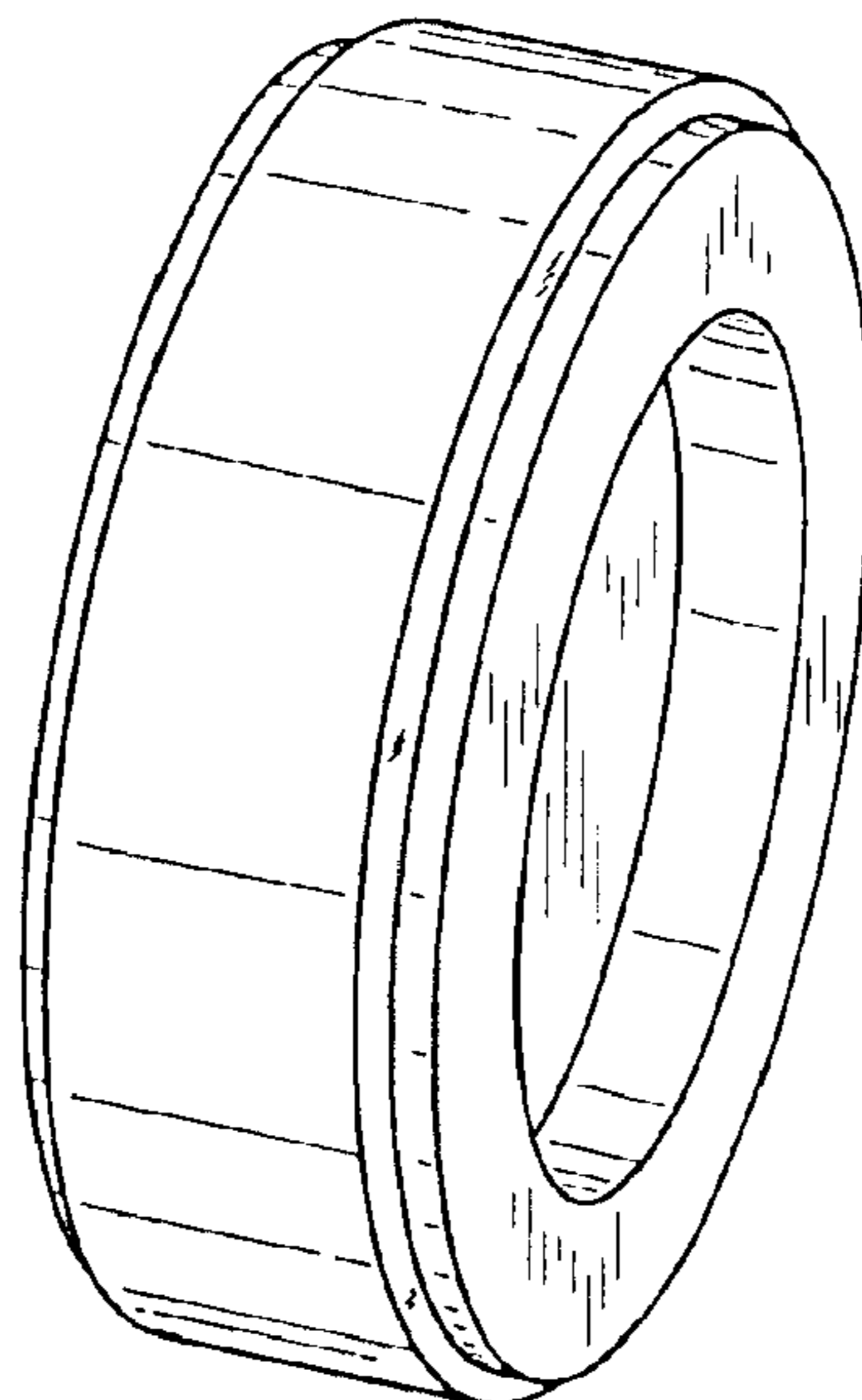
U.S. PATENT DOCUMENTS

- | | | |
|-------------|---------|-----------|
| 787,887 A | 4/1905 | Baker |
| 1,243,501 A | 10/1917 | Fraser |
| D53,657 S | 7/1919 | Hollywood |
| D54,074 S | 11/1919 | Fritz |
| D54,390 S | 2/1920 | De Mott |
| 1,915,392 A | 6/1933 | Thomson |
| D187,372 S | 3/1960 | Dailey |
| 3,048,526 A | 8/1962 | Boswell |
| 3,113,076 A | 12/1963 | Jacobs |
| D202,392 S | 9/1965 | Horne |
| 3,279,995 A | 10/1966 | Reid |

DESCRIPTION

FIG. 1 is a perspective view of a capsule linker of the new design;
FIG. 2 is a second perspective view of the capsule linker of FIG. 1;
FIG. 3 is a top plan view of the capsule linker of FIG. 1;
FIG. 4 is a bottom plan view of the capsule linker of FIG. 1; and,
FIG. 5 is a side view of all sides of the capsule linker of FIG. 1.

1 Claim, 2 Drawing Sheets



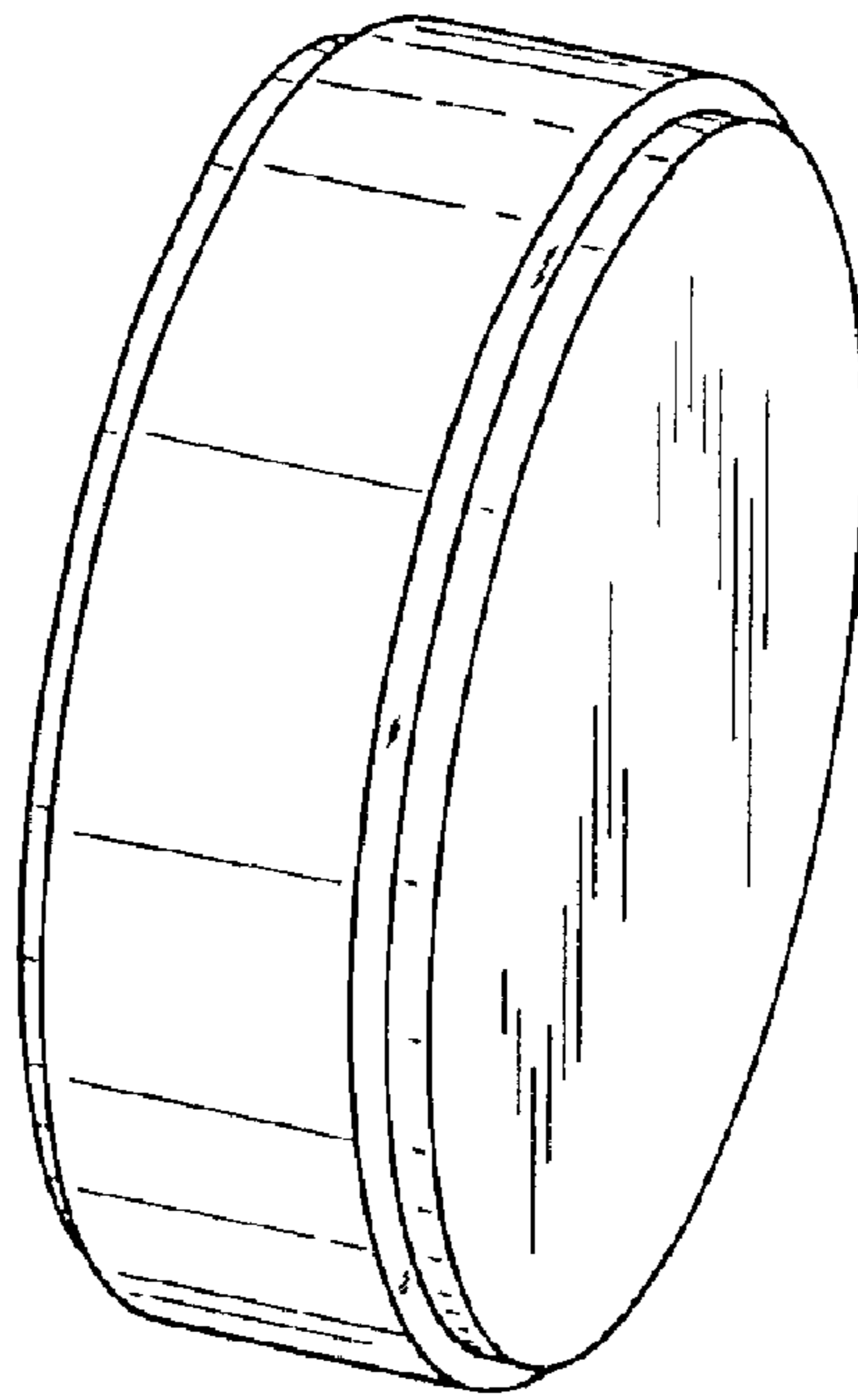


FIG. 1

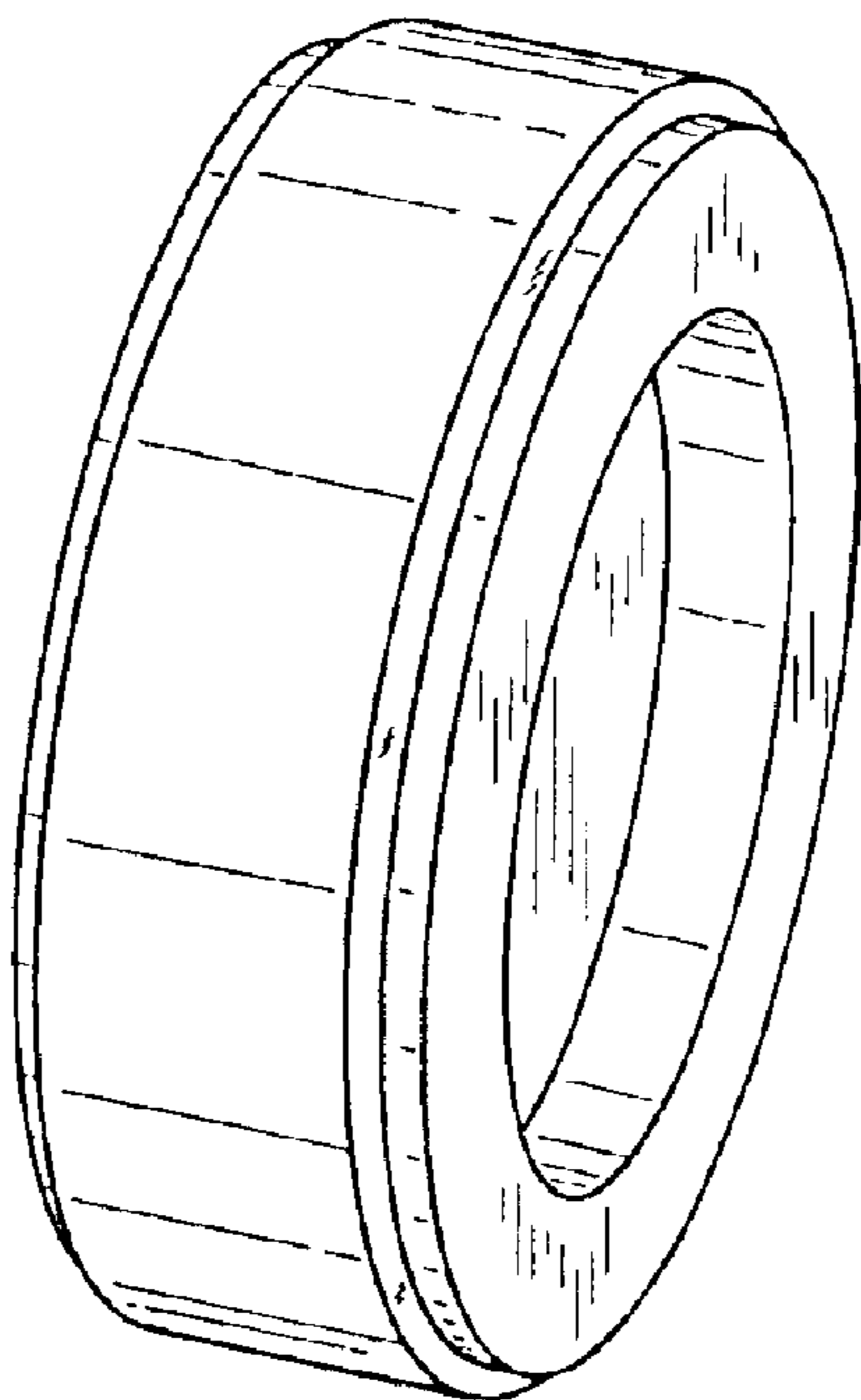


FIG. 2

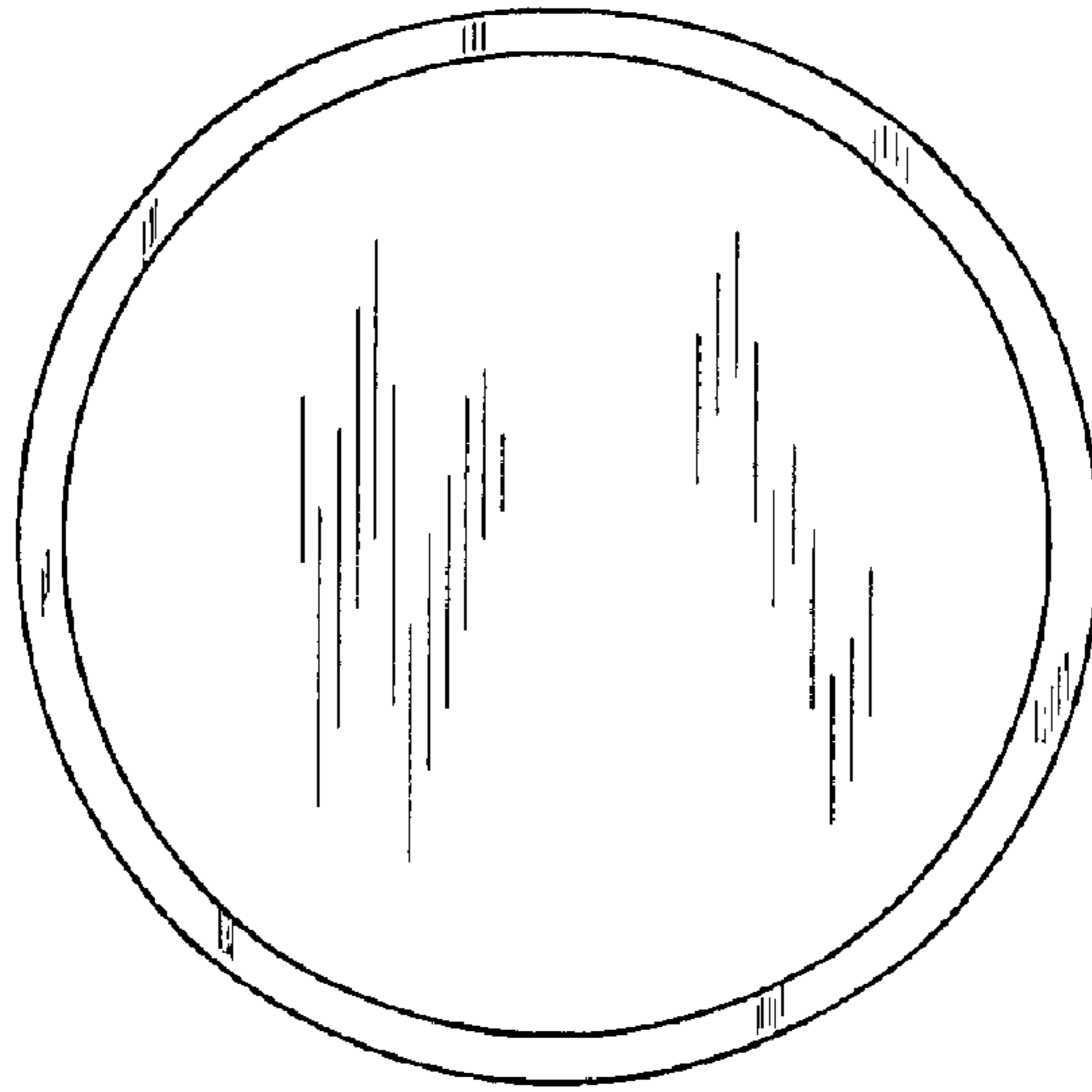


FIG. 3

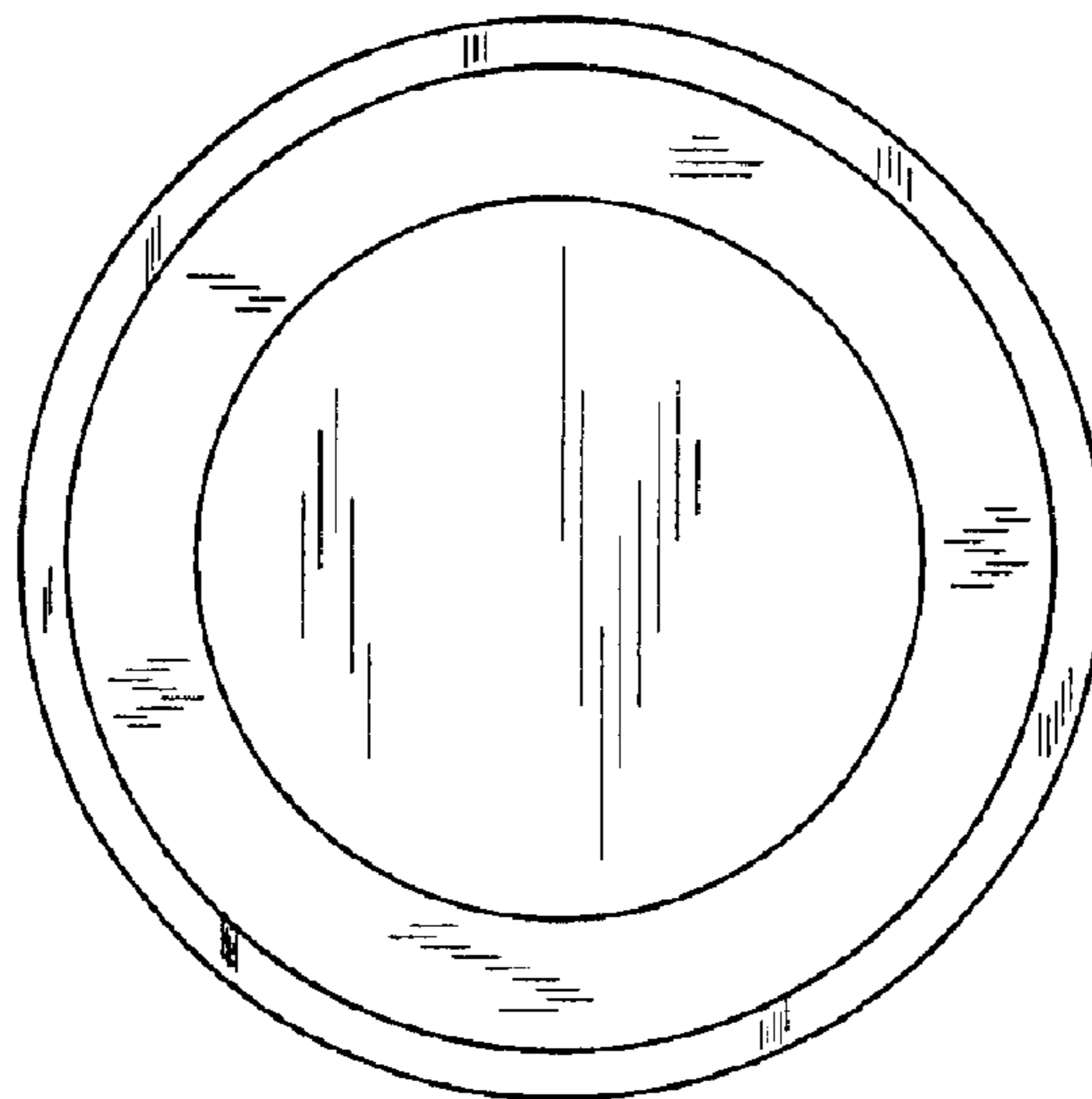


FIG. 4

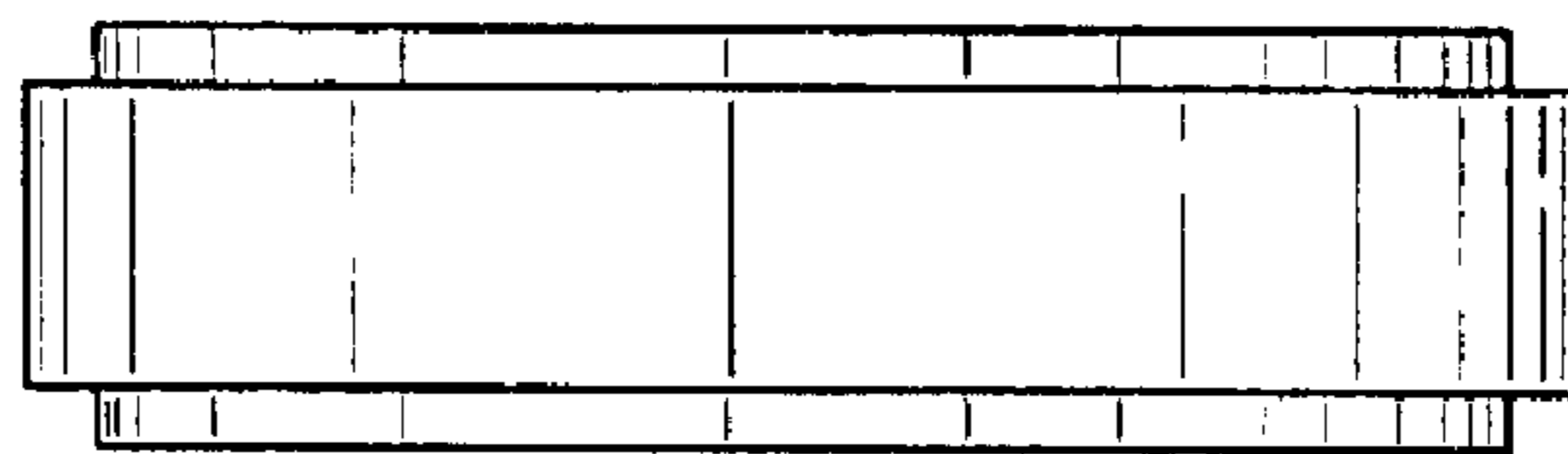


FIG. 5