

US00D506543S

(12) **United States Design Patent**
Young

(10) **Patent No.:** **US D506,543 S**
(45) **Date of Patent:** **** Jun. 21, 2005**

(54) **COMBINED CEILING FAN BLADE IRON AND ATTACHMENT UNIT**

(75) Inventor: **Stanfield Young**, Garden Grove, CA (US)

(73) Assignee: **Minka Lighting, Inc.**, Corona, CA (US)

(**) Term: **14 Years**

(21) Appl. No.: **29/195,844**

(22) Filed: **Dec. 18, 2003**

(51) **LOC (8) Cl.** **23-04**

(52) **U.S. Cl.** **D23/411**

(58) **Field of Search** D23/411, 413, D23/377, 379, 385; 416/5, 210 R; 392/364

(56) **References Cited**

U.S. PATENT DOCUMENTS

D457,620 S	*	5/2002	Frampton	D23/413
D480,796 S	*	10/2003	Young	D23/411
D490,515 S	*	5/2004	Young	D23/411

* cited by examiner

Primary Examiner—Lisa Lichtenstein

(74) *Attorney, Agent, or Firm*—Baker & McKenzie LLP

(57) **CLAIM**

The ornamental design for a combined ceiling fan blade iron and attachment unit, as shown and described.

DESCRIPTION

FIG. 1 is a perspective view from below of a combined ceiling fan blade iron and attachment unit in accordance

with my design, illustrating the environment of said combined ceiling fan blade iron and attachment unit;

FIG. 2 is an enlarged perspective view from below of the combined ceiling fan blade iron and attachment unit in accordance with my design, illustrating the environment of said combined ceiling fan blade iron and attachment unit;

FIG. 3 is a distal view of the combined ceiling fan blade iron and attachment unit in accordance with my design, illustrating the environment of said combined ceiling fan blade iron and attachment unit;

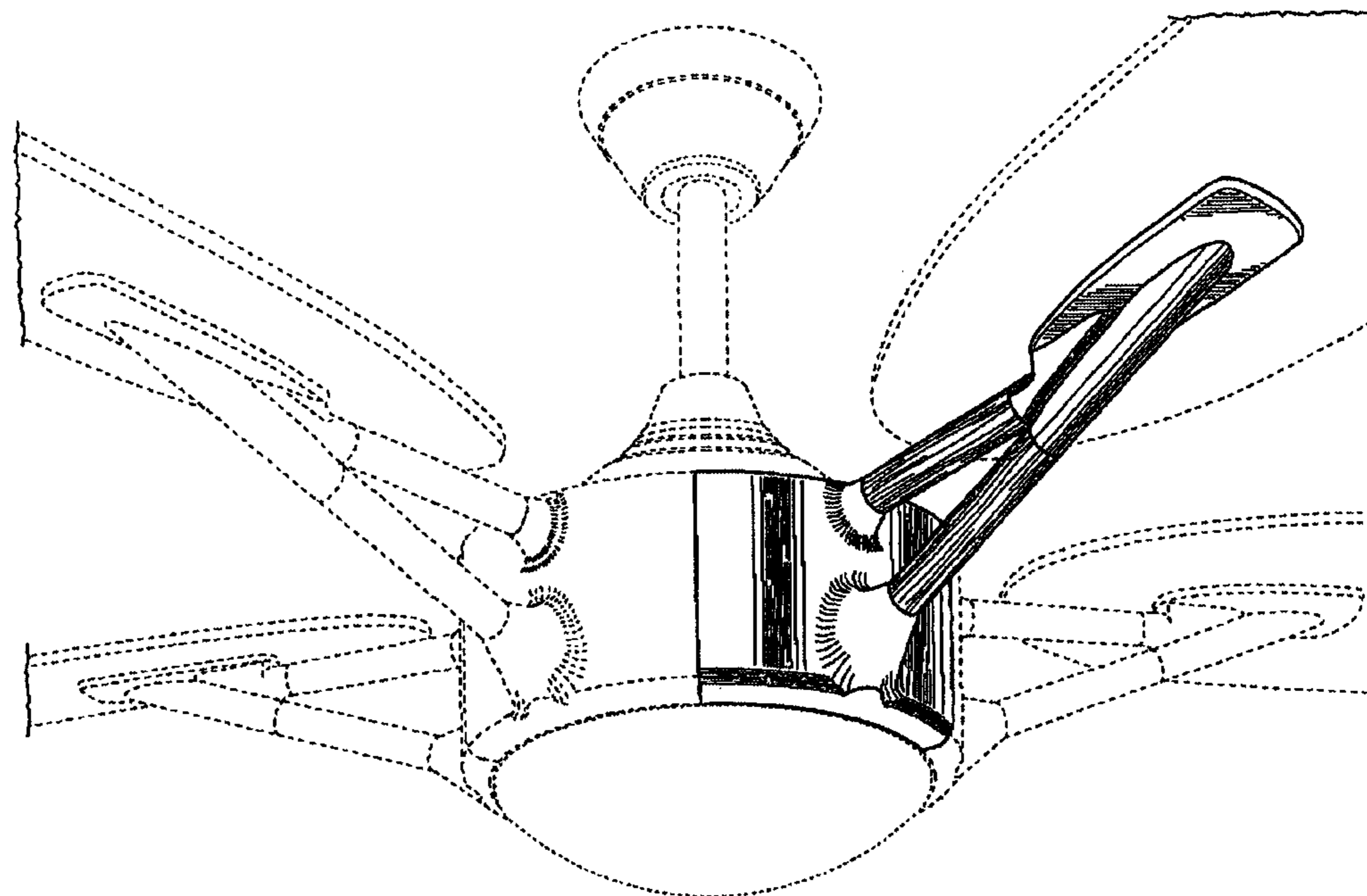
FIG. 4 is a side elevation view of the combined ceiling fan blade iron and attachment unit in accordance with my design, the opposite side being a mirror image of that shown illustrating the environment of said combined ceiling fan blade iron and attachment unit;

FIG. 5 is a bottom plan view of the combined ceiling fan blade iron and attachment unit in accordance with my design, illustrating the environment of said combined ceiling fan blade iron and attachment unit; and,

FIG. 6 is a top plan view of the combined ceiling fan blade iron and attachment unit in accordance with my design, illustrating the environment of said combined ceiling fan blade iron and attachment unit.

The broken lines showing environmental structure are for illustrative purposes and form no part of the claimed design.

1 Claim, 3 Drawing Sheets



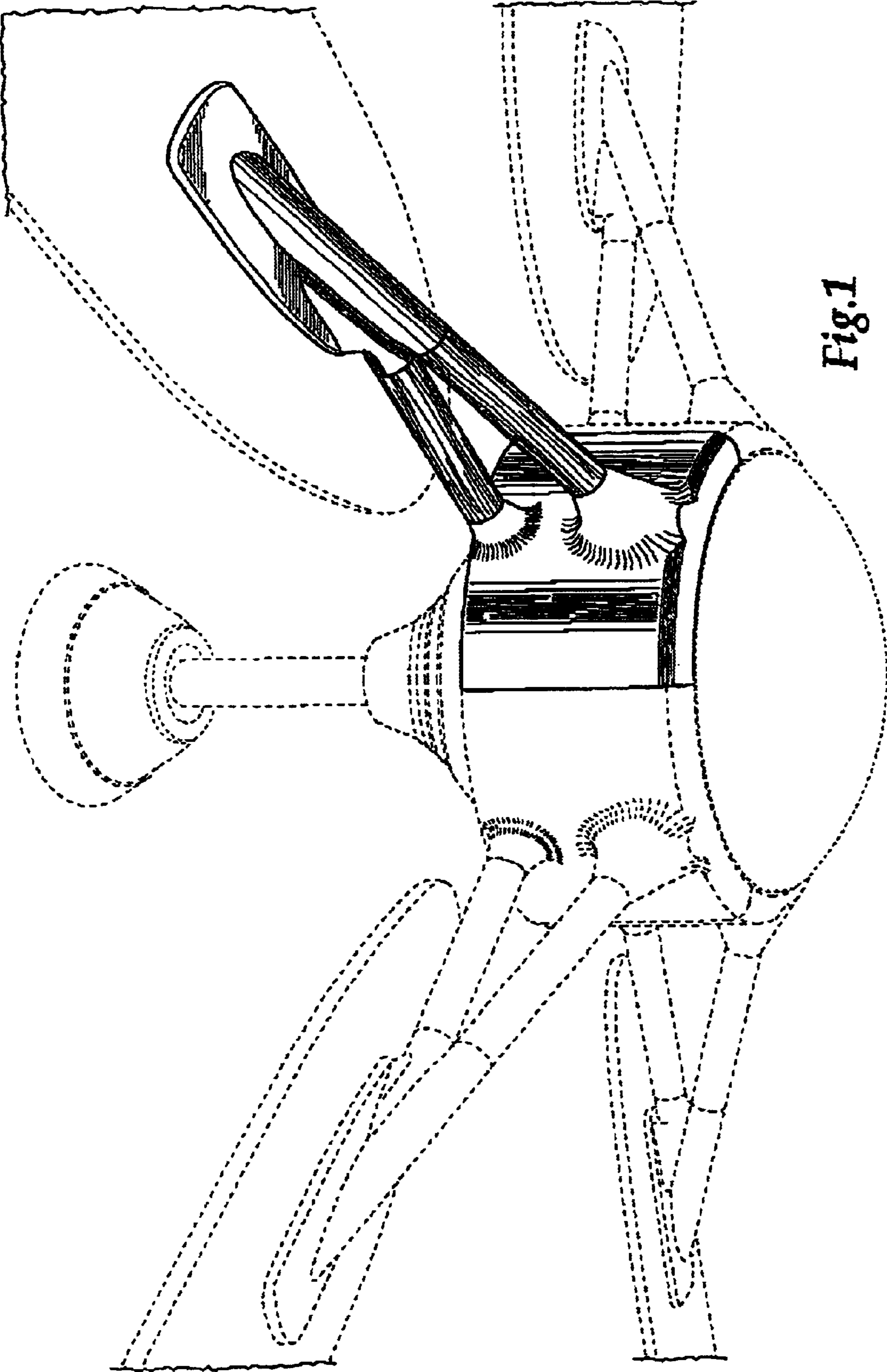


Fig. 1

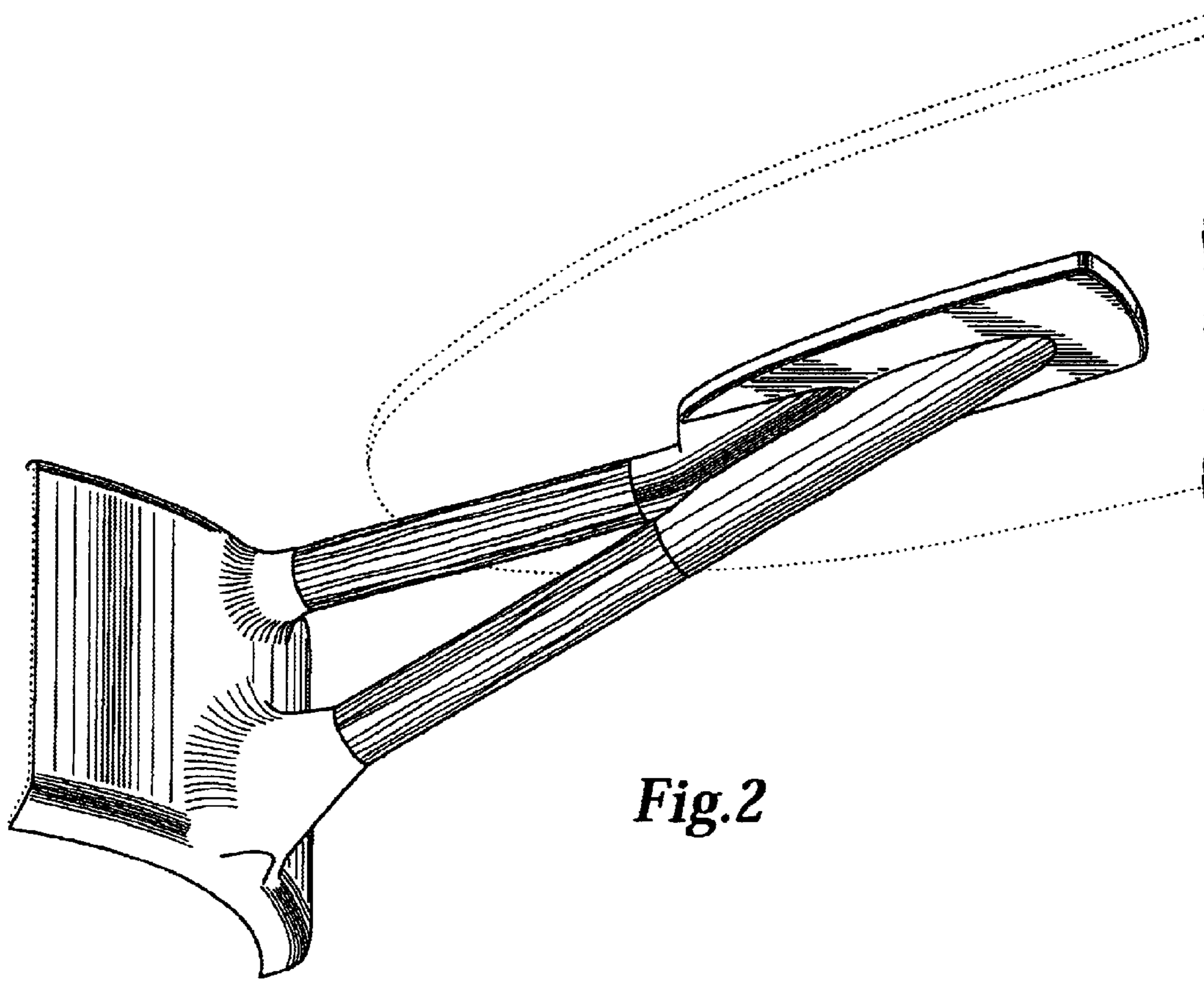


Fig. 2

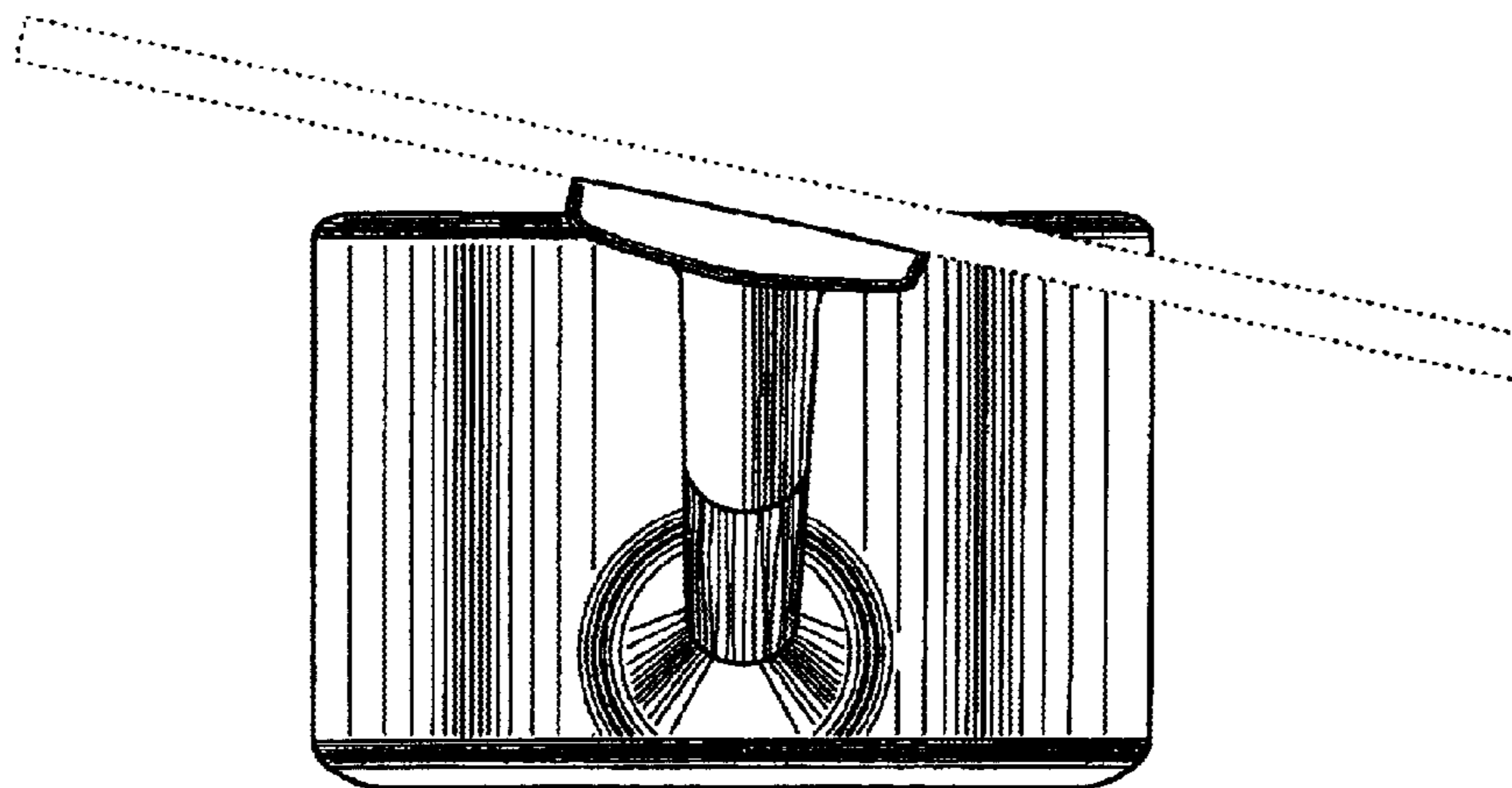


Fig. 3

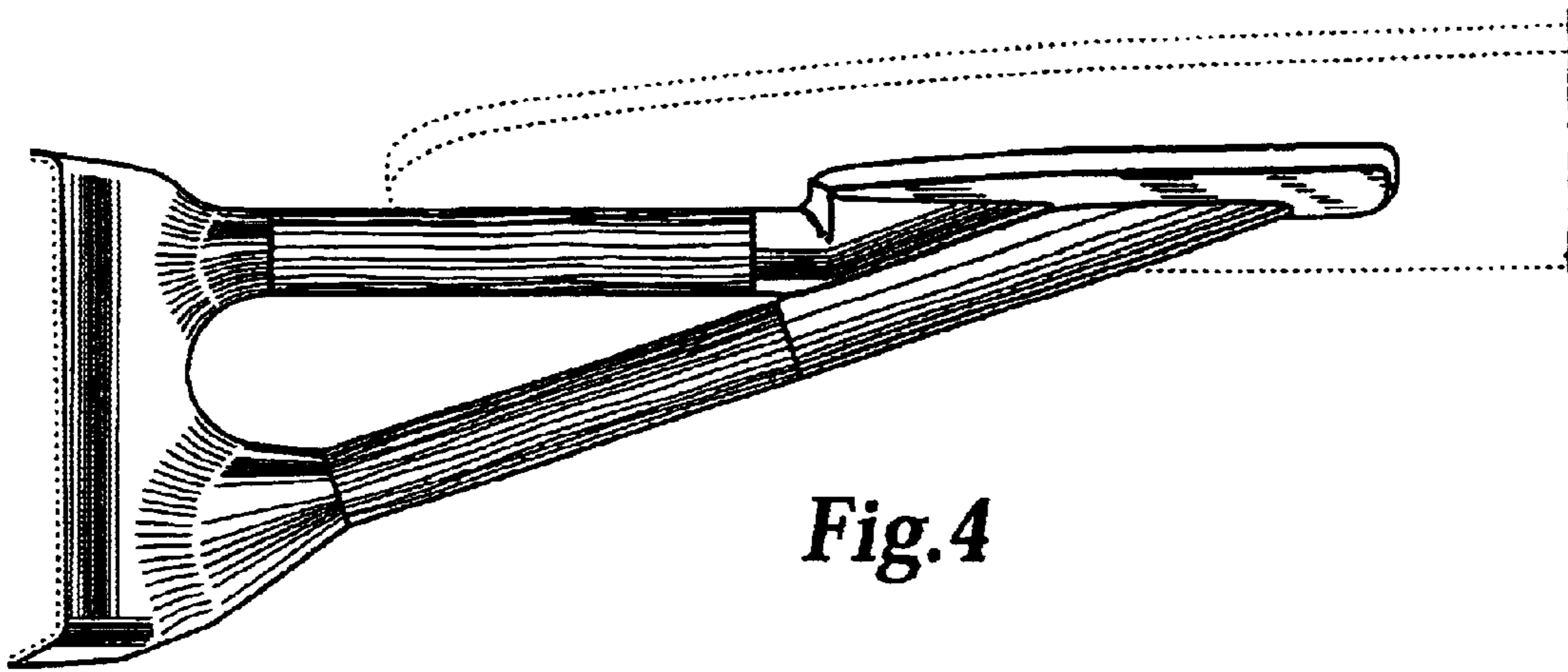


Fig.4

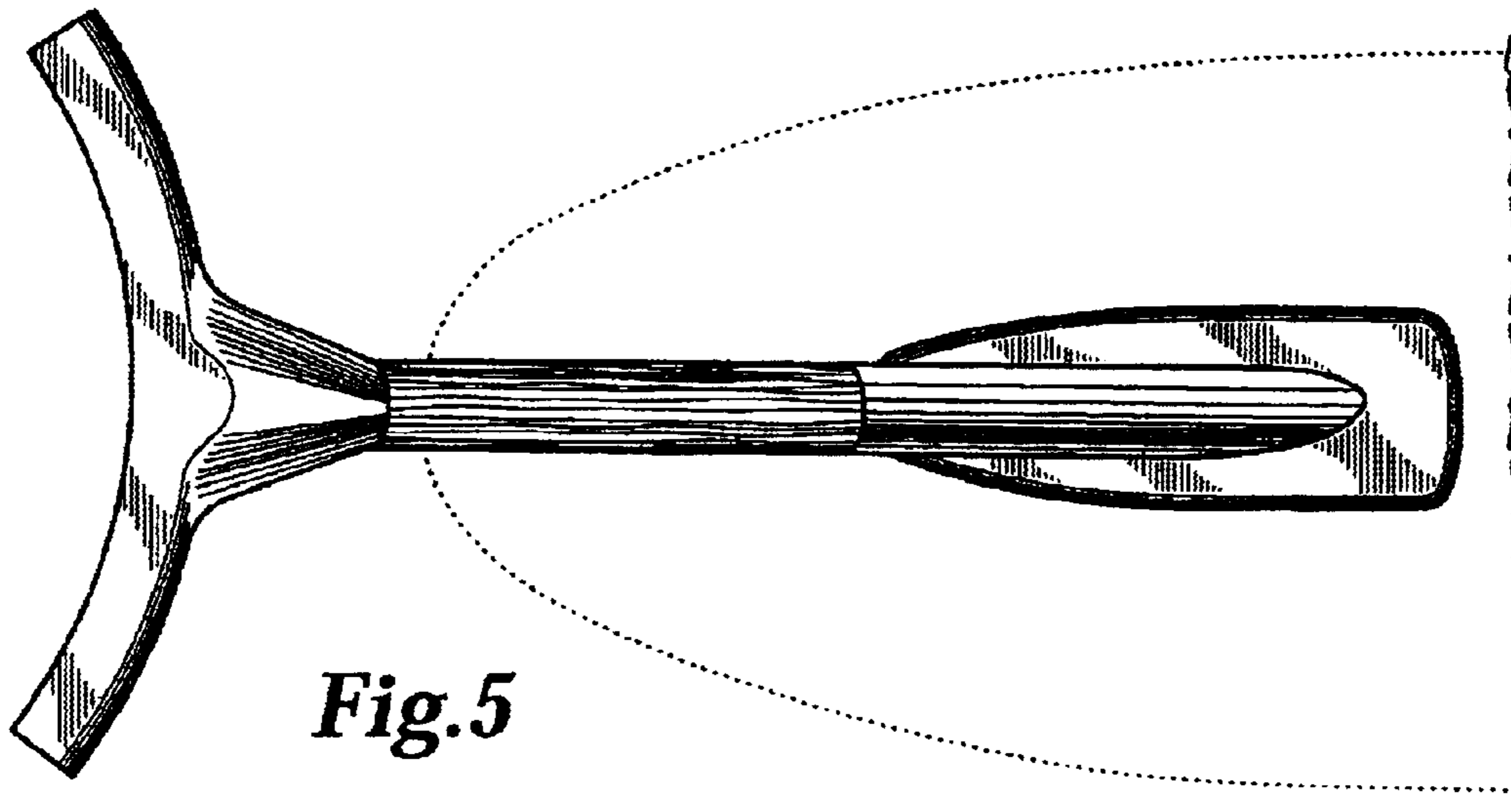


Fig.5

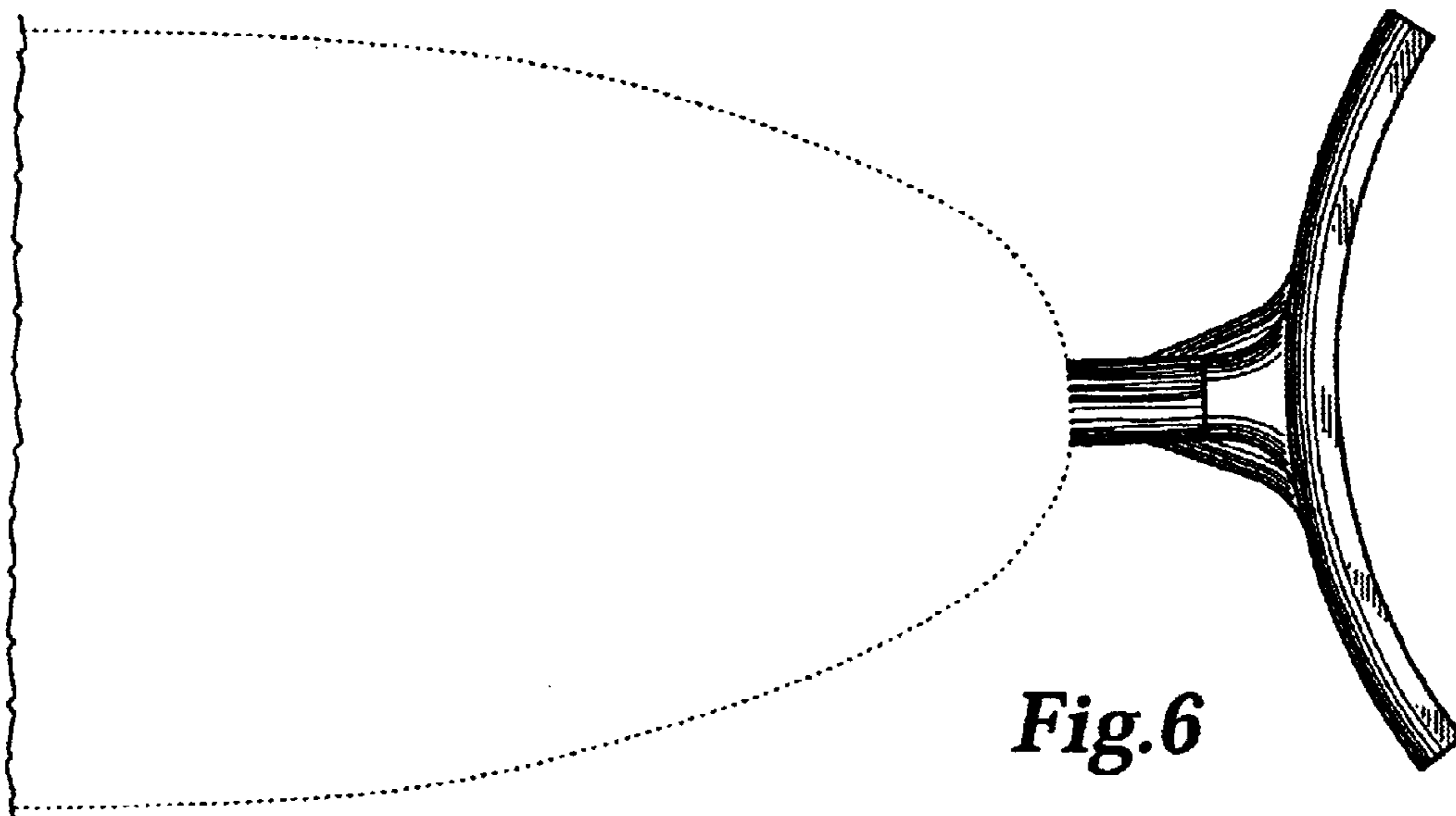


Fig.6