



US00D506540S

(12) **United States Design Patent**
Chiu et al.

(10) **Patent No.:** **US D506,540 S**
(45) **Date of Patent:** **** Jun. 21, 2005**

(54) **FAN**
(75) Inventors: **Yung-Yu Chiu**, Taoyuan (TW);
Shun-Chen Chang, Taoyuan (TW);
Kuo-Cheng Lin, Taoyuan (TW);
Wen-Shi Huang, Taoyuan (TW)
(73) Assignee: **Delta Electronics Inc.**, Taoyuan Hsien
(TW)
(**) Term: **14 Years**

D492,986 S * 7/2004 Chiu et al. D23/370

* cited by examiner

Primary Examiner—Lisa Lichtenstein
(74) *Attorney, Agent, or Firm*—Birch, Stewart, Kolasch &
Birch, LLP

(57) **CLAIM**

The ornamental design for a fan, as shown and described
herein.

(21) Appl. No.: **29/188,489**
(22) Filed: **Aug. 20, 2003**
(51) **LOC (8) Cl.** **23-04**
(52) **U.S. Cl.** **D23/370**
(58) **Field of Search** D23/370, 379,
D23/411; 415/176-178, 211.2; 361/697,
695; 165/90.3, 121; D14/439

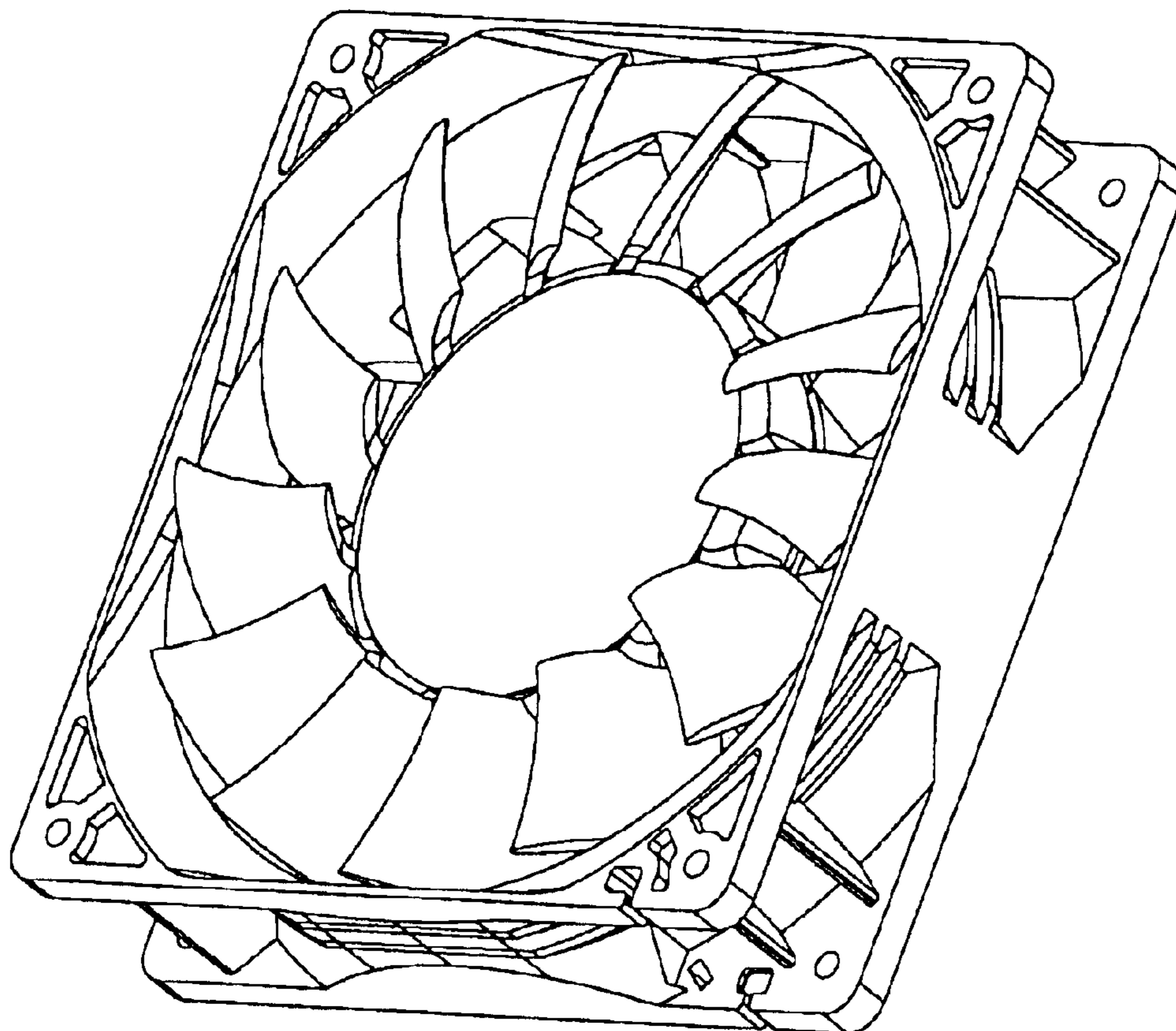
DESCRIPTION

FIG. 1 is a perspective view of a fan showing our new
design;
FIG. 2 is a right side view thereof;
FIG. 3 is a top view thereof;
FIG. 4 is a front view thereof;
FIG. 5 is a bottom view thereof;
FIG. 6 is a left side view thereof; and,
FIG. 7 is a rear view thereof.

(56) **References Cited**
U.S. PATENT DOCUMENTS

D487,800 S * 3/2004 Chen et al. D23/370

1 Claim, 5 Drawing Sheets



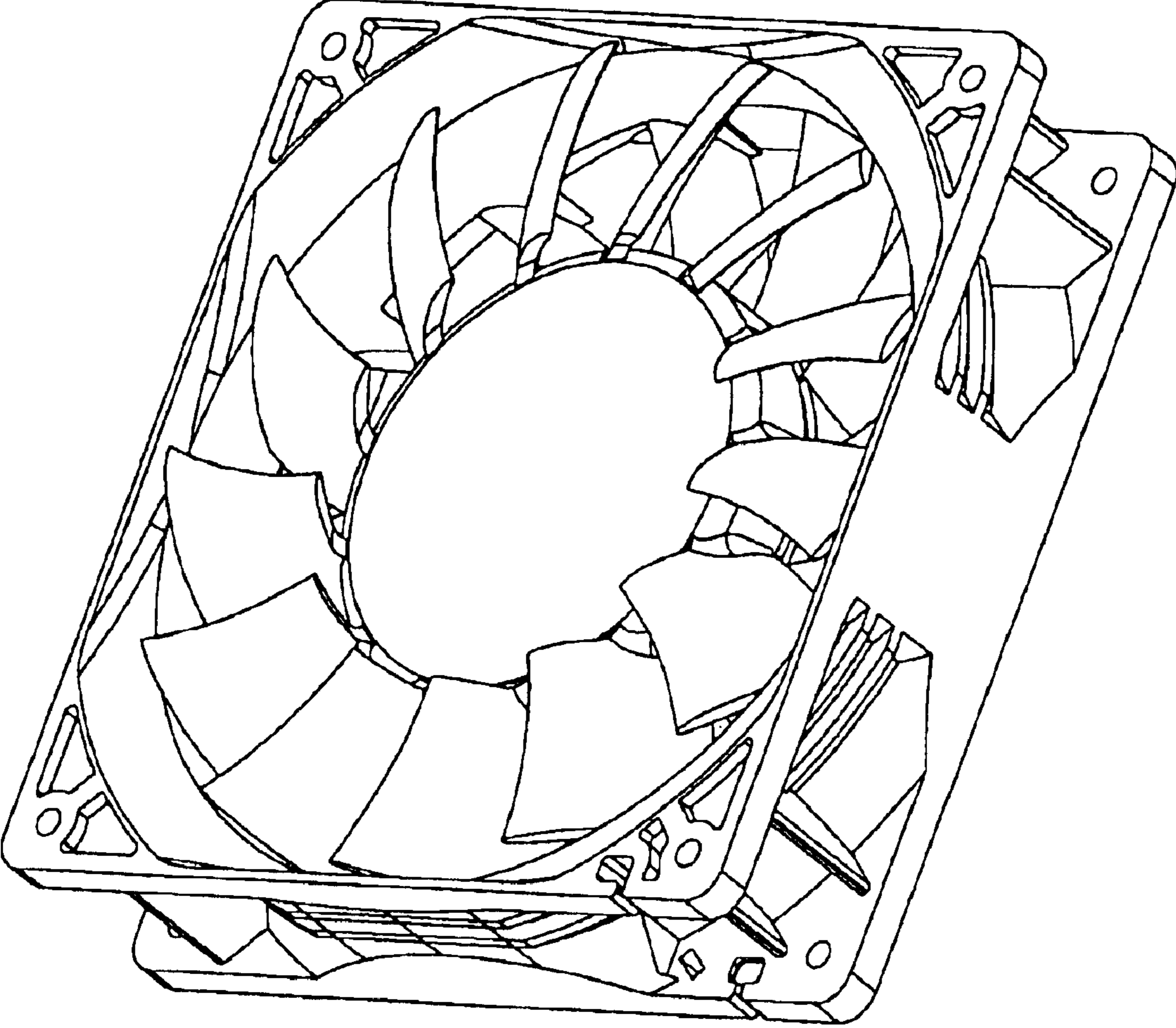


Fig. 1

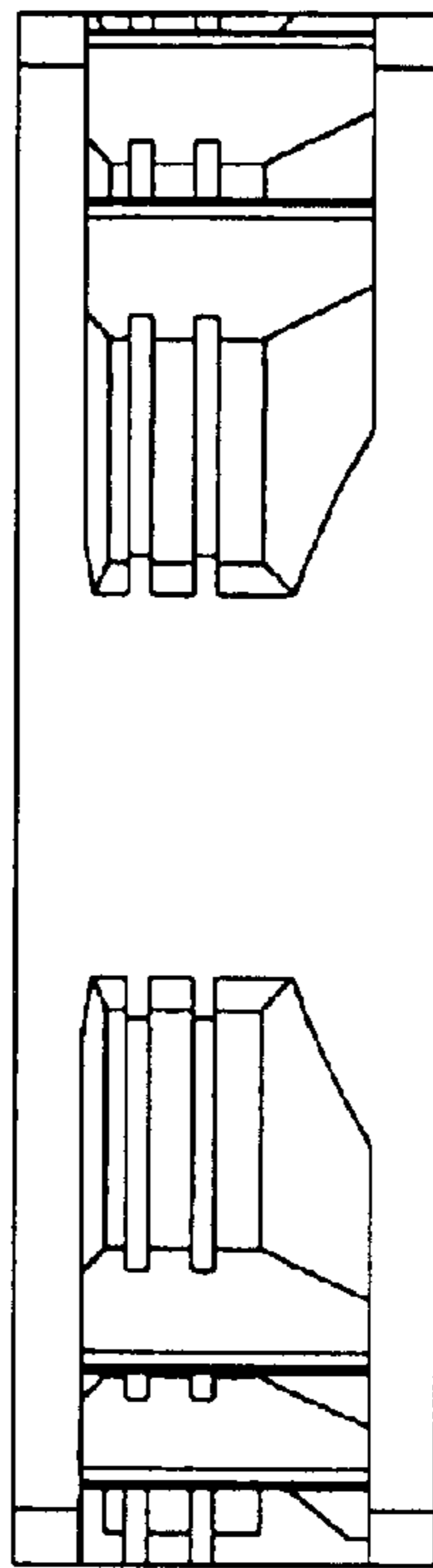


Fig. 2

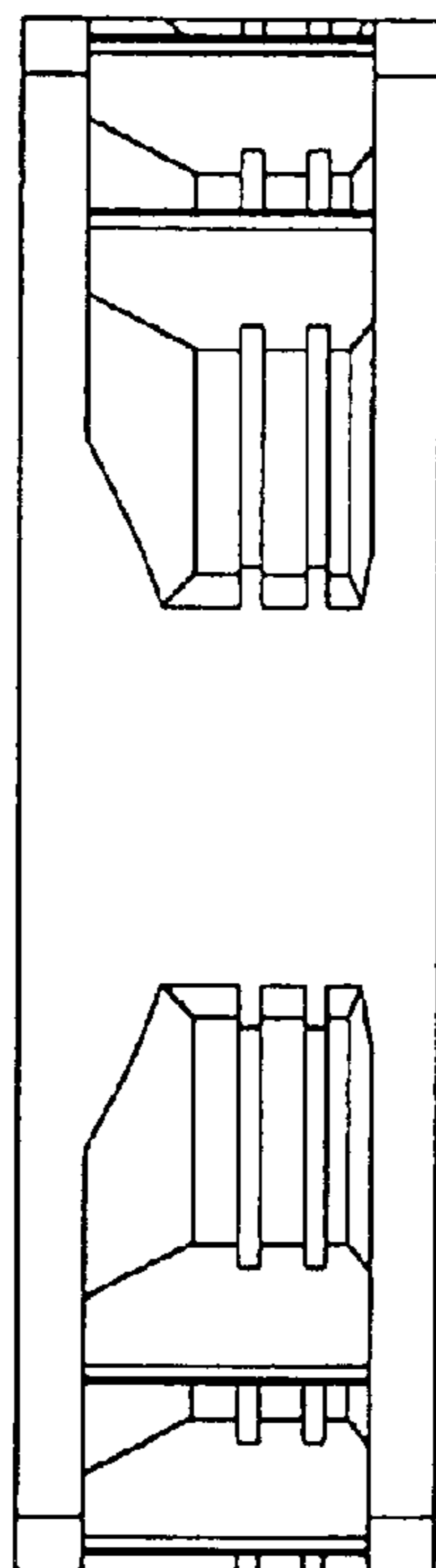


Fig. 6

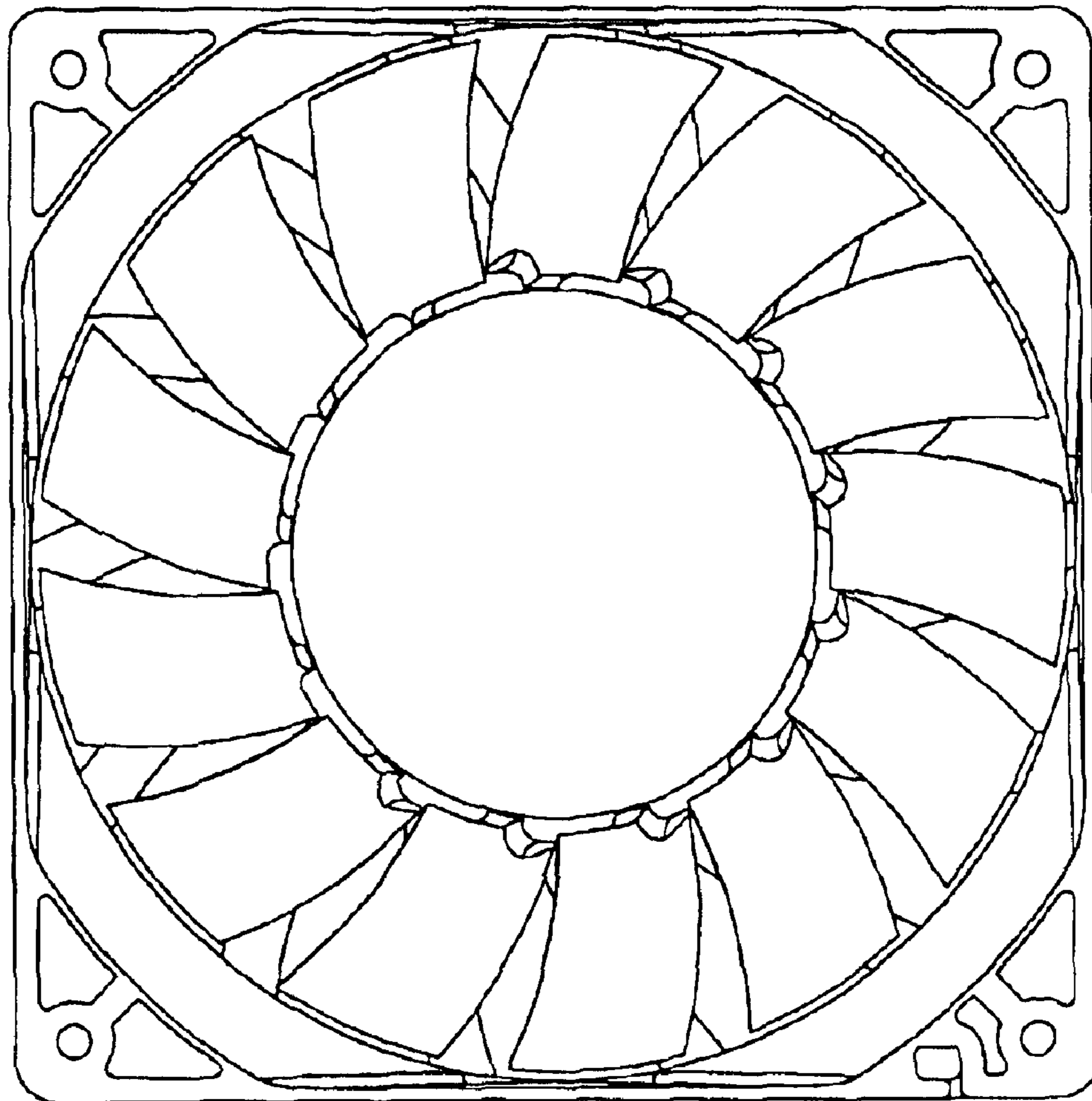


Fig. 3

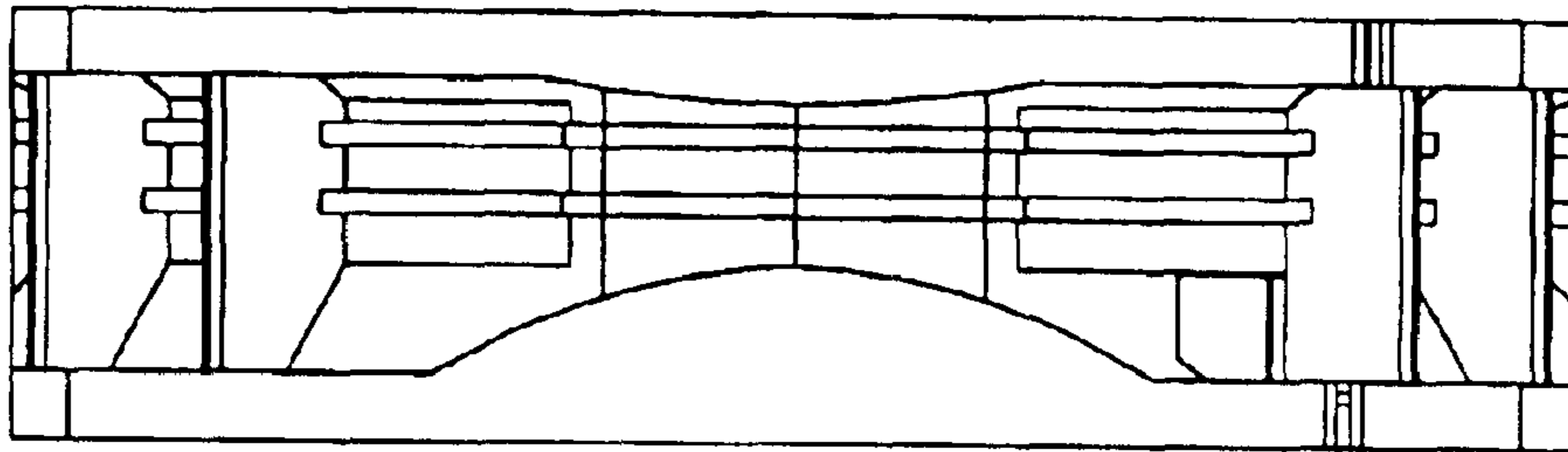


Fig. 4

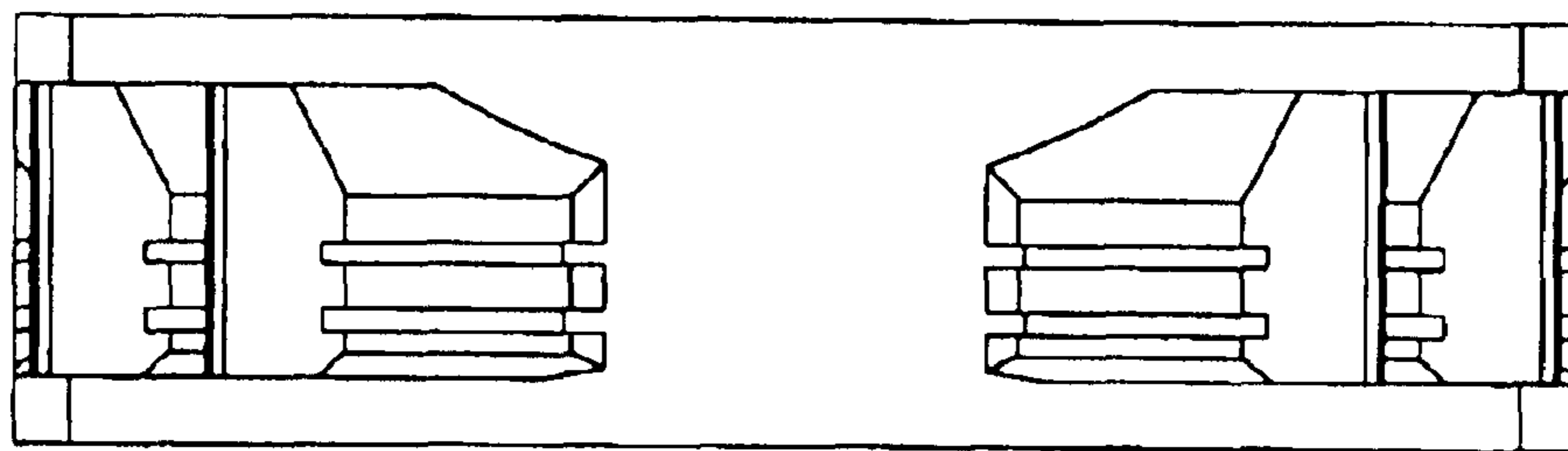


Fig. 7

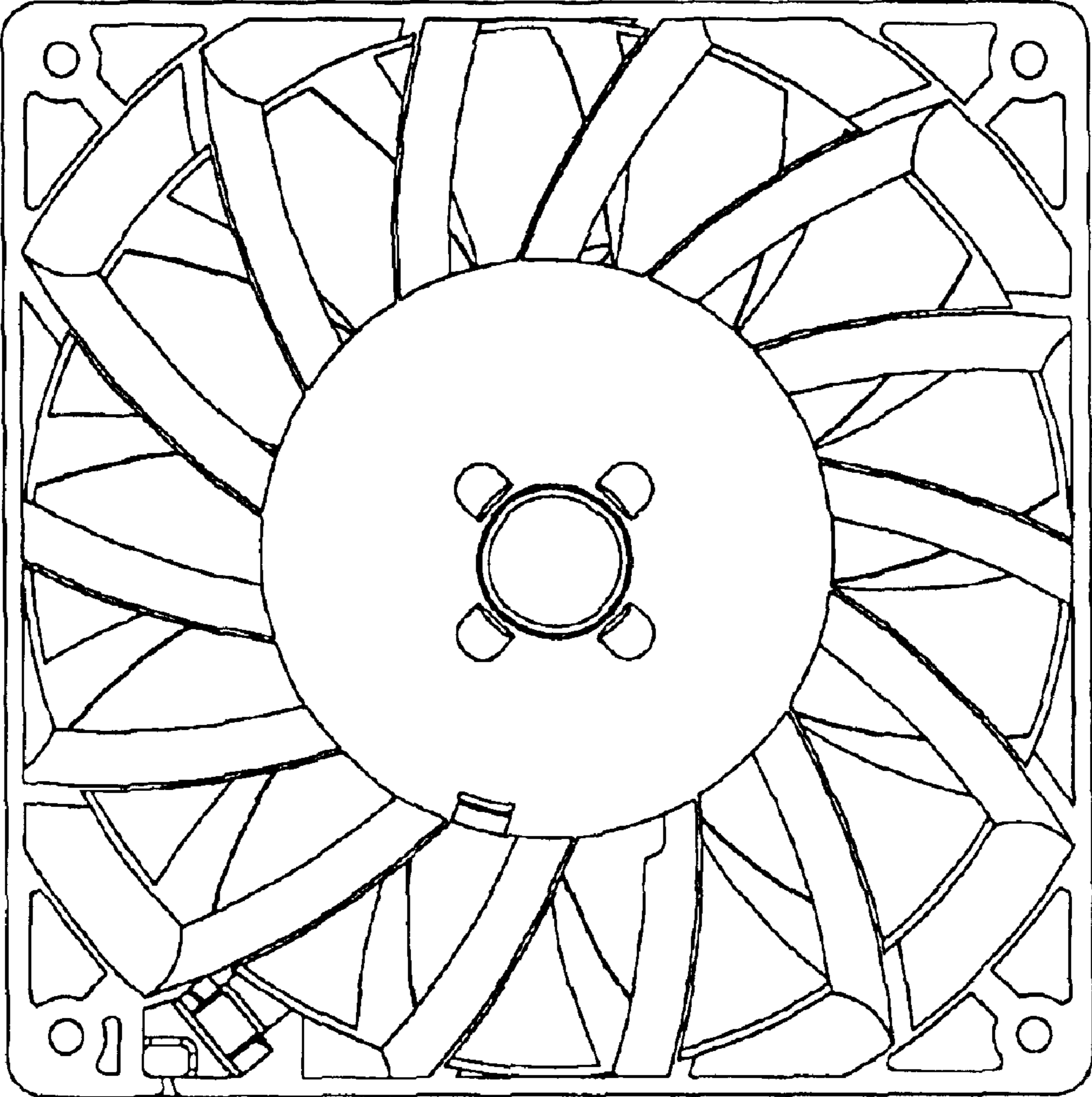


Fig. 5