

US00D506537S

(12) **United States Design Patent**
Lanius

(10) **Patent No.:** **US D506,537 S**
(45) **Date of Patent:** **** Jun. 21, 2005**

- (54) **BASE FOR A WATER CLOSET**
- (75) Inventor: **Jason T. Lanius**, Sheboygan, WI (US)
- (73) Assignee: **Kohler Co.**, Kohler, WI (US)
- (**) Term: **14 Years**
- (21) Appl. No.: **29/202,010**
- (22) Filed: **Mar. 24, 2004**
- (51) **LOC (8) Cl.** **23-02**
- (52) **U.S. Cl.** **D23/295**
- (58) **Field of Search** D23/270-271,
D23/273-274, 295, 299, 301, 303, 309;
4/663-664, 300, 329, 420, 449, DIG. 15,
443-446

(56) **References Cited**

U.S. PATENT DOCUMENTS

D451,175 S * 11/2001 Smith D23/301
D455,822 S 4/2002 McKeone D23/301

OTHER PUBLICATIONS

2002 Kohler catalog ad, p. 15.15, showing a "Memoirs" toilet.
2001 Kallista catalog ad, p. 2.6, showing a "Michael Smith Town" toilet.

Undated BC Sanitan catalog ad showing a "Savoy" toilet.
* cited by examiner

Primary Examiner—Robert A Delehanty
(74) *Attorney, Agent, or Firm*—Quarles & Brady LLP

(57) **CLAIM**

The ornamental design for a base for a water closet, as shown and described.

DESCRIPTION

In a preferred embodiment, the nature of this product is as a plumbing fixture in the form of a base for a water closet. FIG. 1 is a left, top, front perspective view of a base for a water closet embodying my new design; FIG. 2 is a top plan view thereof; FIG. 3 is a left side elevational view thereof; FIG. 4 is a front elevational view thereof; FIG. 5 is a rear elevational view thereof; FIG. 6 is a bottom plan view thereof; and, FIG. 7 is a right side elevational view thereof. The broken line representations of holes in FIGS. 1, 2, and 6, and of mounting structure in FIG. 6, are for the purpose of illustration only, and form no part of the claimed design.

1 Claim, 3 Drawing Sheets

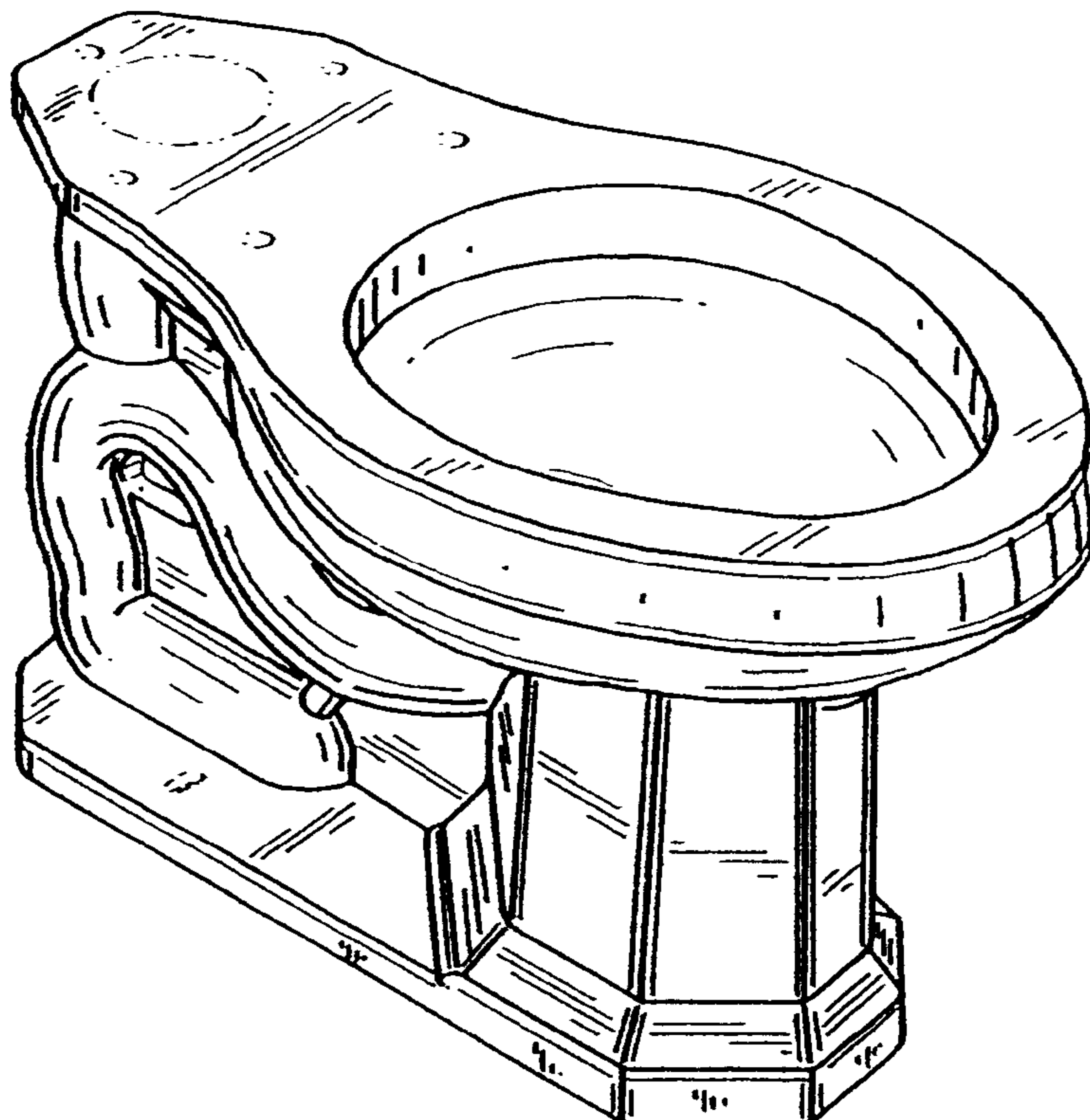


FIG. 1

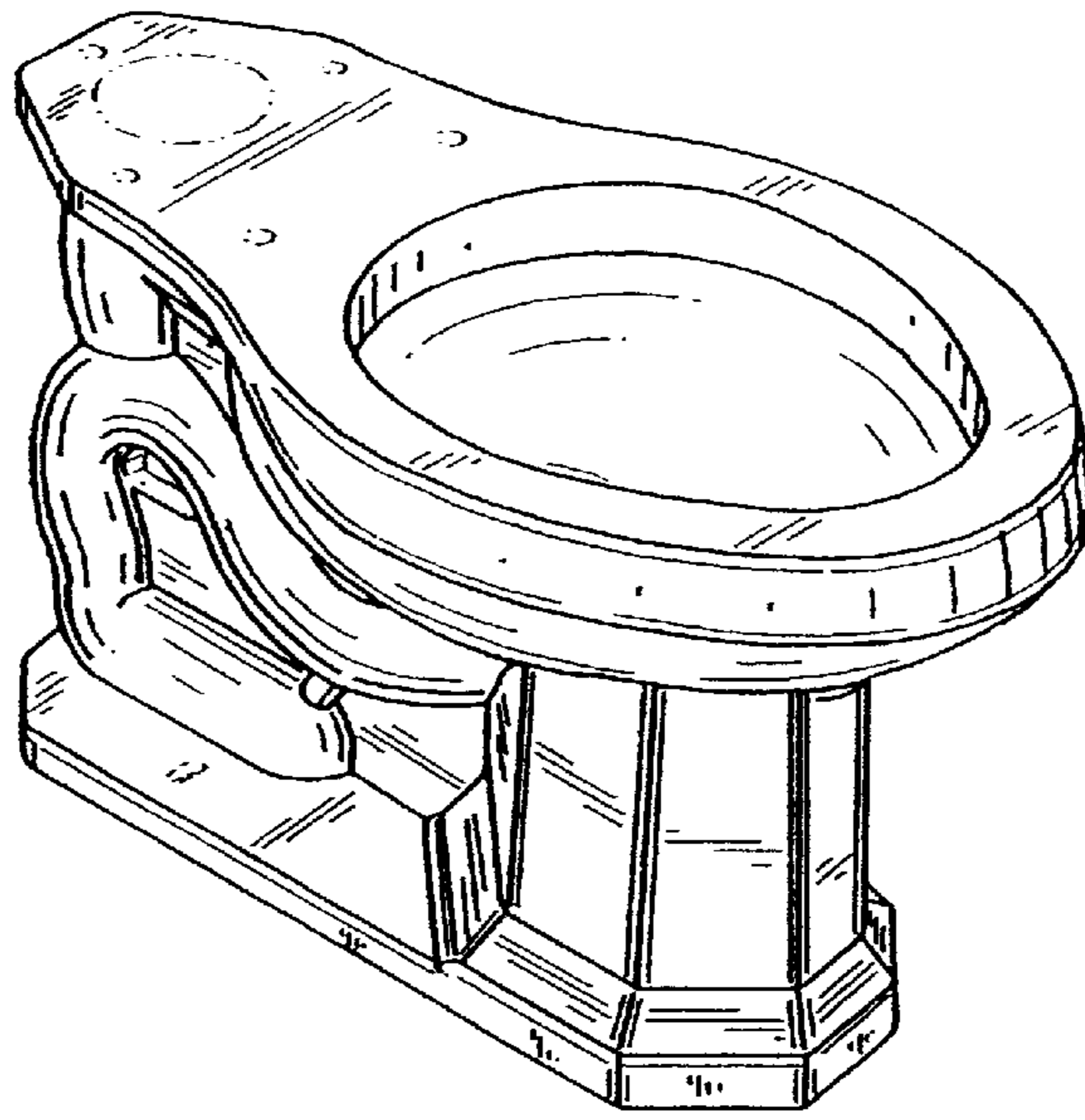


FIG. 2

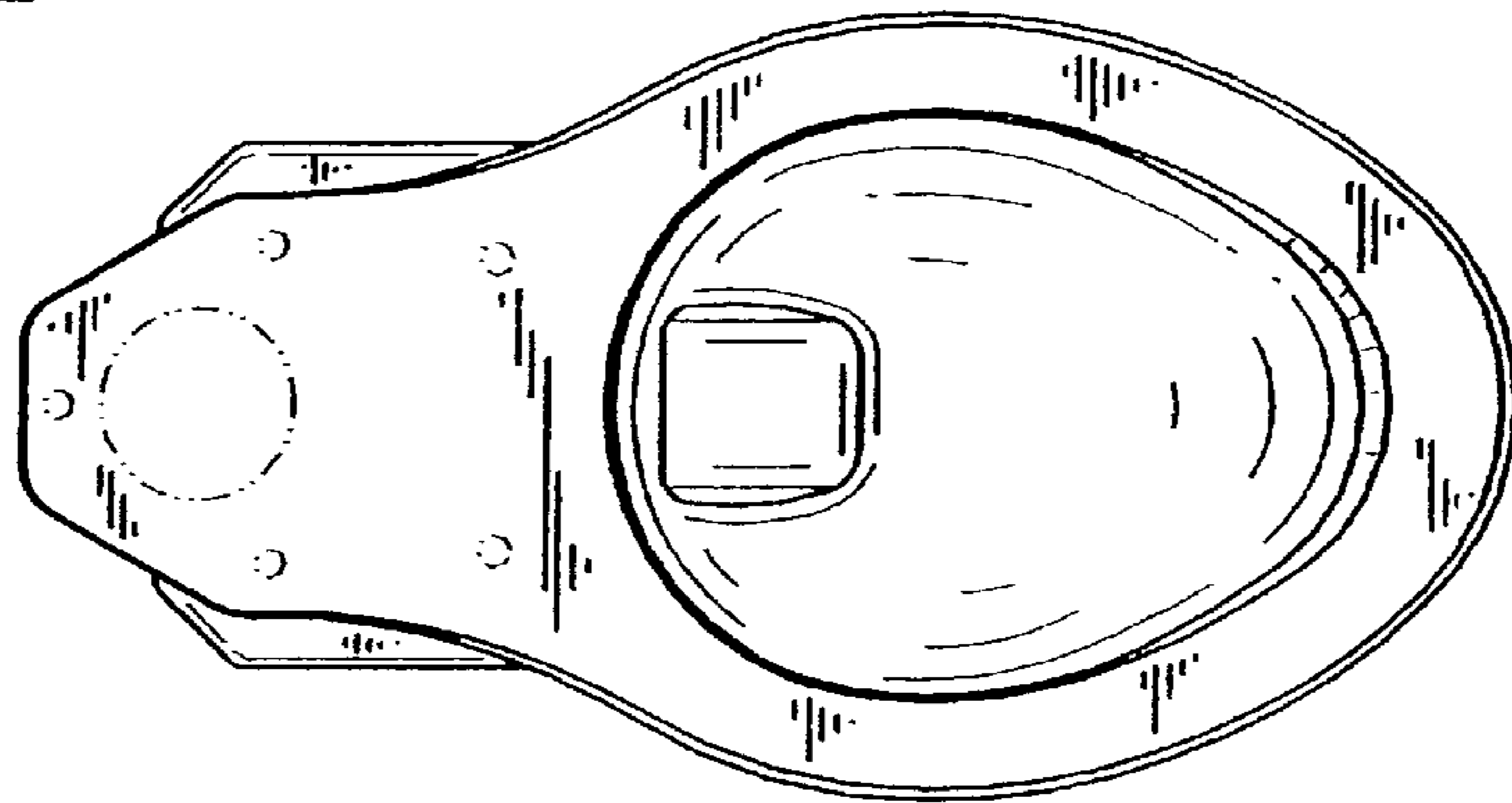


FIG. 3

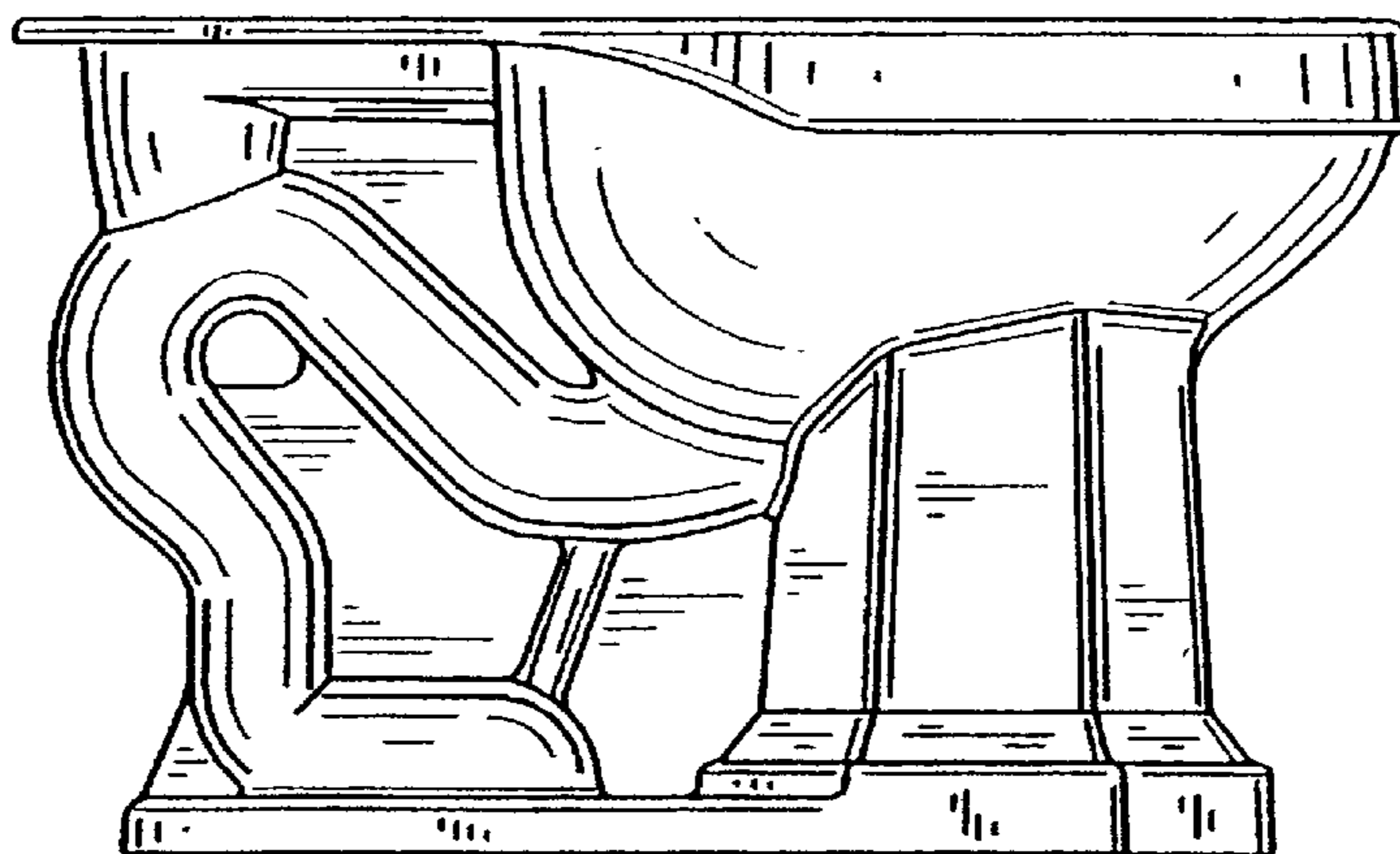


FIG. 4

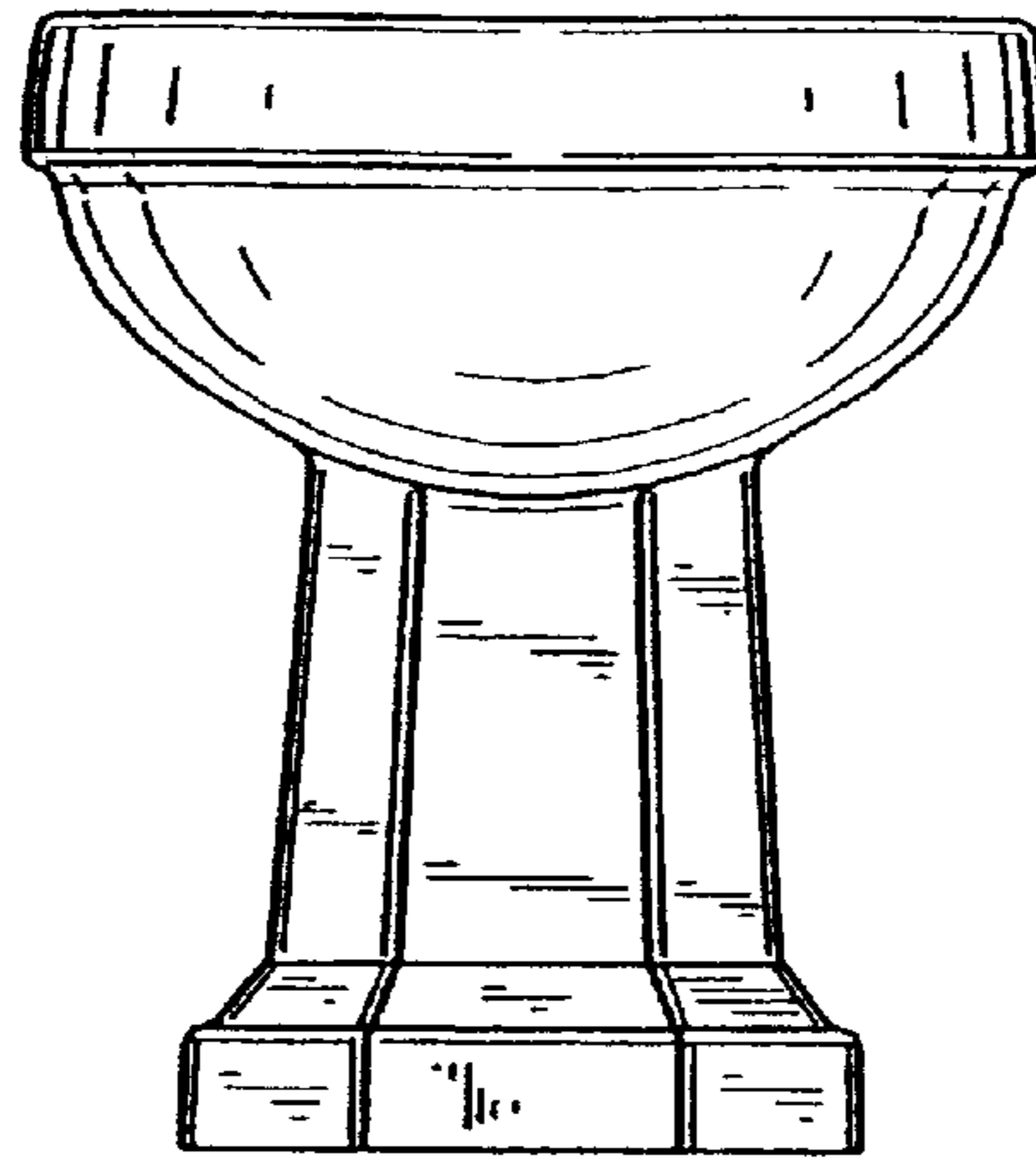


FIG. 5

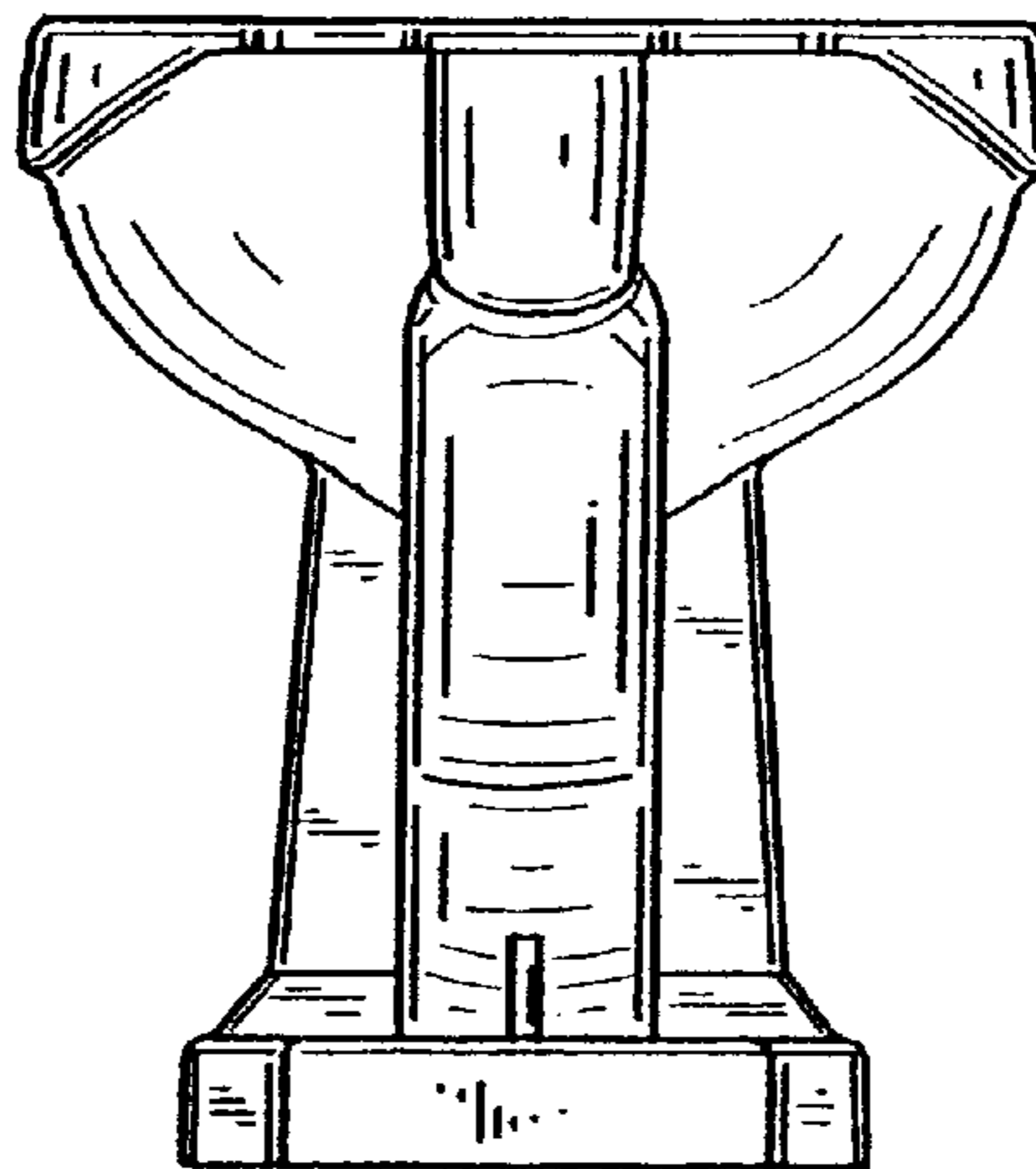


FIG. 6

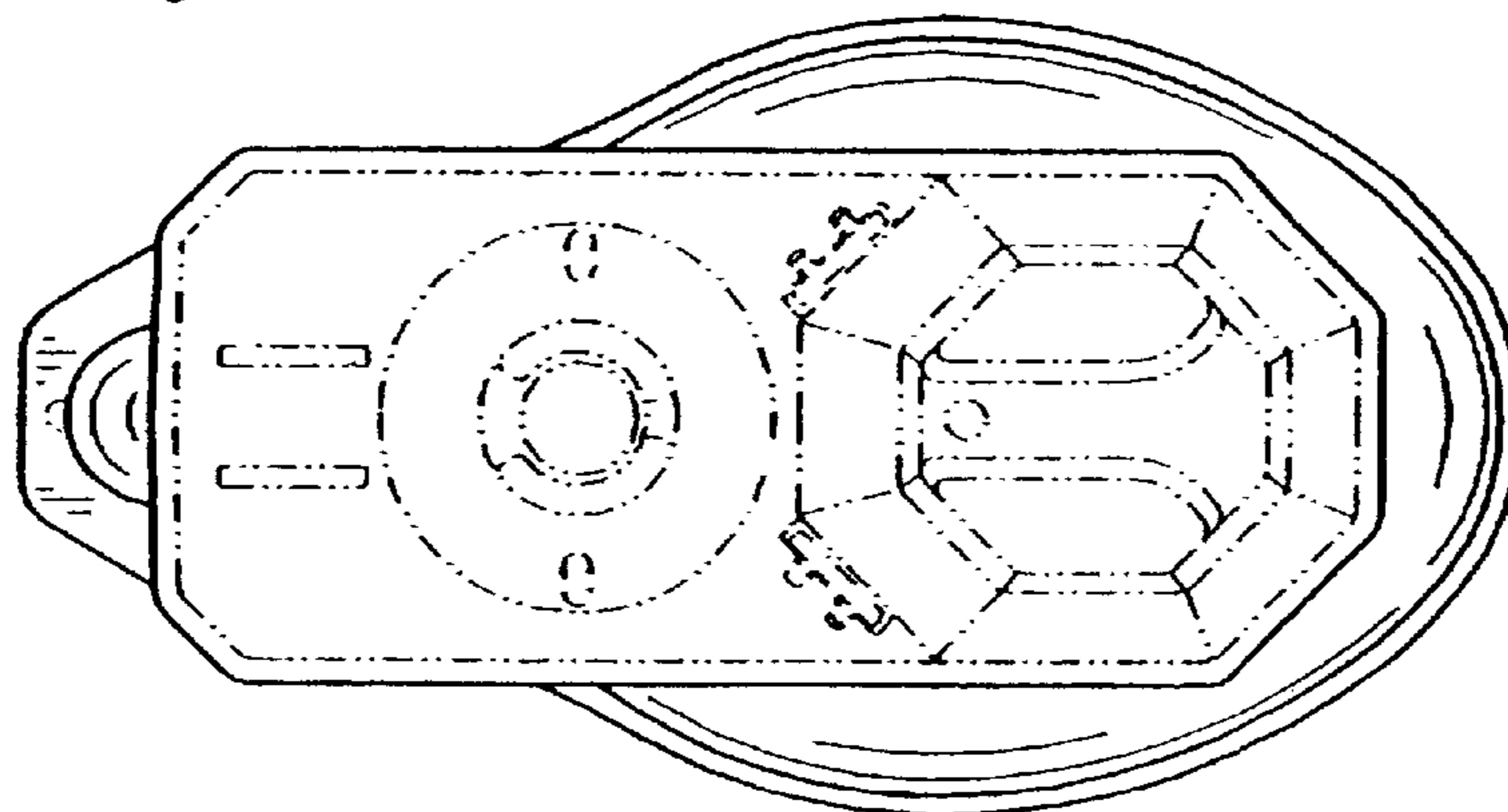


FIG. 7

