

US00D506534S

(12) **United States Design Patent**
Sutopo

(10) **Patent No.:** **US D506,534 S**

(45) **Date of Patent:** **** Jun. 21, 2005**

(54) **LAVATORY**

(75) Inventor: **Elise A. Sutopo**, Sheboygan, WI (US)

(73) Assignee: **Kohler Co.**, Kohler, WI (US)

(**) Term: **14 Years**

(21) Appl. No.: **29/210,643**

(22) Filed: **Aug. 4, 2004**

(51) **LOC (8) Cl.** **23-02**

(52) **U.S. Cl.** **D23/293.1**

(58) **Field of Search** D23/270–273,
D23/284–292, 293.1, 303, 308; 4/662, 619,
624, 638, 643, 661, 630

(56) **References Cited**

U.S. PATENT DOCUMENTS

D76,918 S	11/1928	Crane, II	
D387,857 S	12/1997	McKeone	
D391,353 S	2/1998	McKeone	
D397,415 S	8/1998	McKeone	
D407,470 S	3/1999	McKeone	
D461,881 S	* 8/2002	McKeone D23/293.1
D499,797 S	* 12/2004	Bates D23/284

OTHER PUBLICATIONS

Kohler Catalog, p. 169, Lavatories, Countertop Self-rim-
ming.

Giorgio Catalog, 1990, Sinks.

* cited by examiner

Primary Examiner—Robert A. Delehanty

(74) *Attorney, Agent, or Firm*—Quarles & Brady LLP

(57) **CLAIM**

The ornamental design for a lavatory, as shown and described.

DESCRIPTION

In a preferred embodiment, the nature of this product is as a plumbing fixture in the form of a lavatory which is primarily useful for washing the body parts of humans.

FIG. 1 is a right, top, front perspective view of a lavatory embodying my new design;

FIG. 2 is a top plan view thereof;

FIG. 3 is a front elevational view thereof;

FIG. 4 is a right side elevational view thereof, the left side elevational view thereof being a mirror image of the right side shown;

FIG. 5 is a rear elevational view thereof;

FIG. 6 is a bottom plan view thereof; and,

FIG. 7 is a cross-sectional view thereof taken along line 7—7 of FIG. 2.

The broken line representations of holes in FIGS. 1, 2, 6 and 7 are for the purpose of illustration only, and form no part of the claimed design.

1 Claim, 3 Drawing Sheets

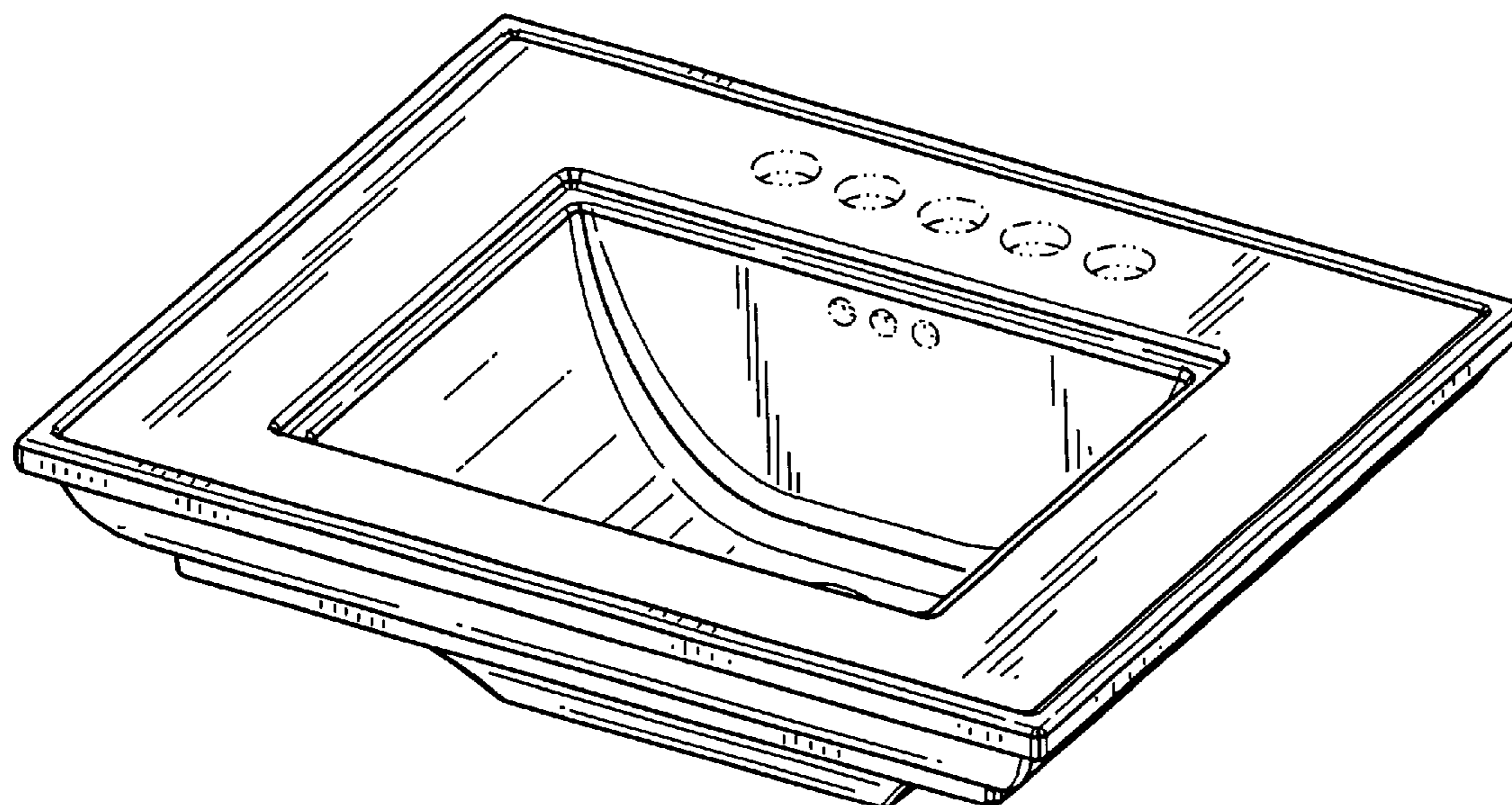


FIG. 1

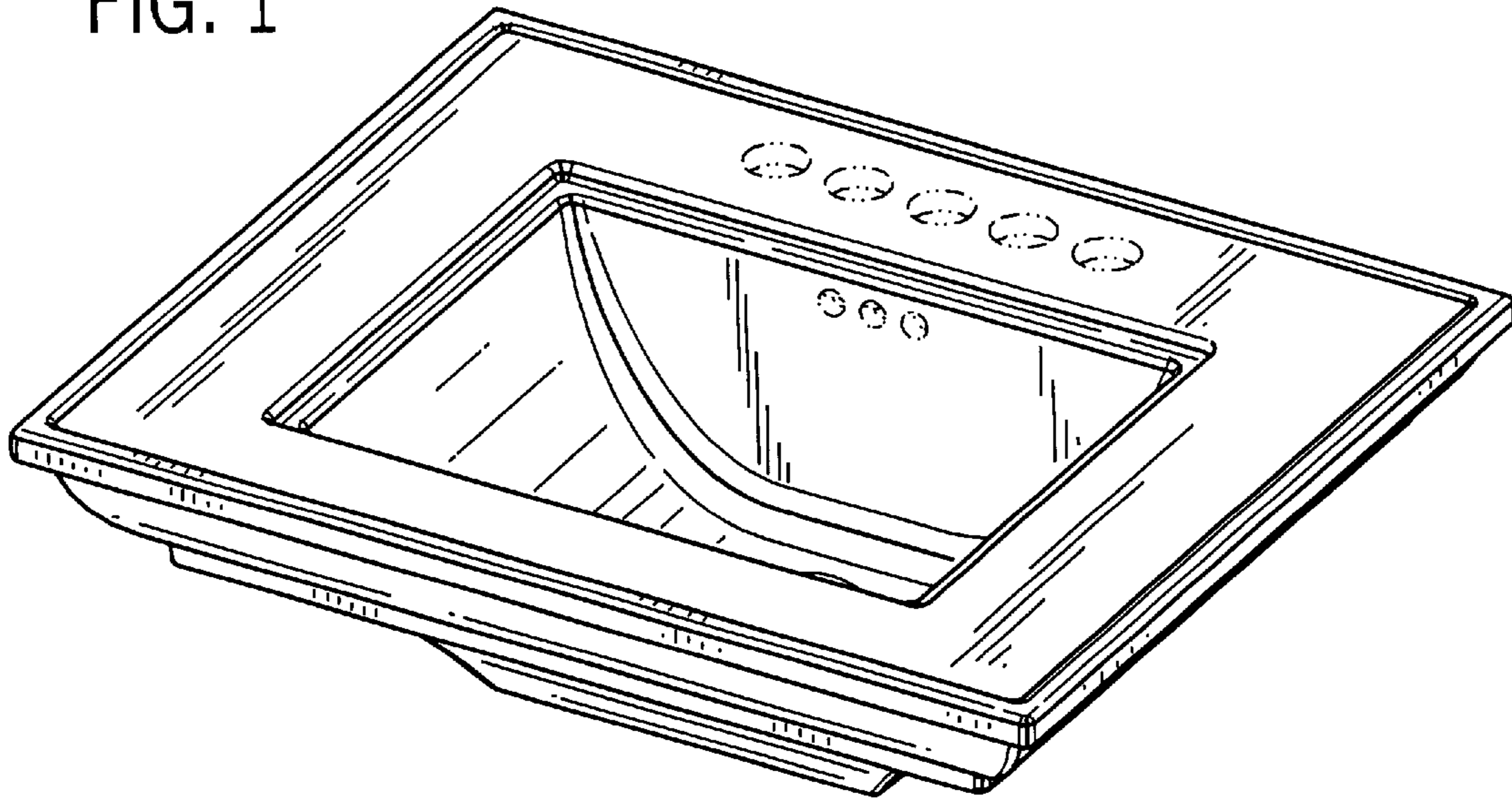


FIG. 2

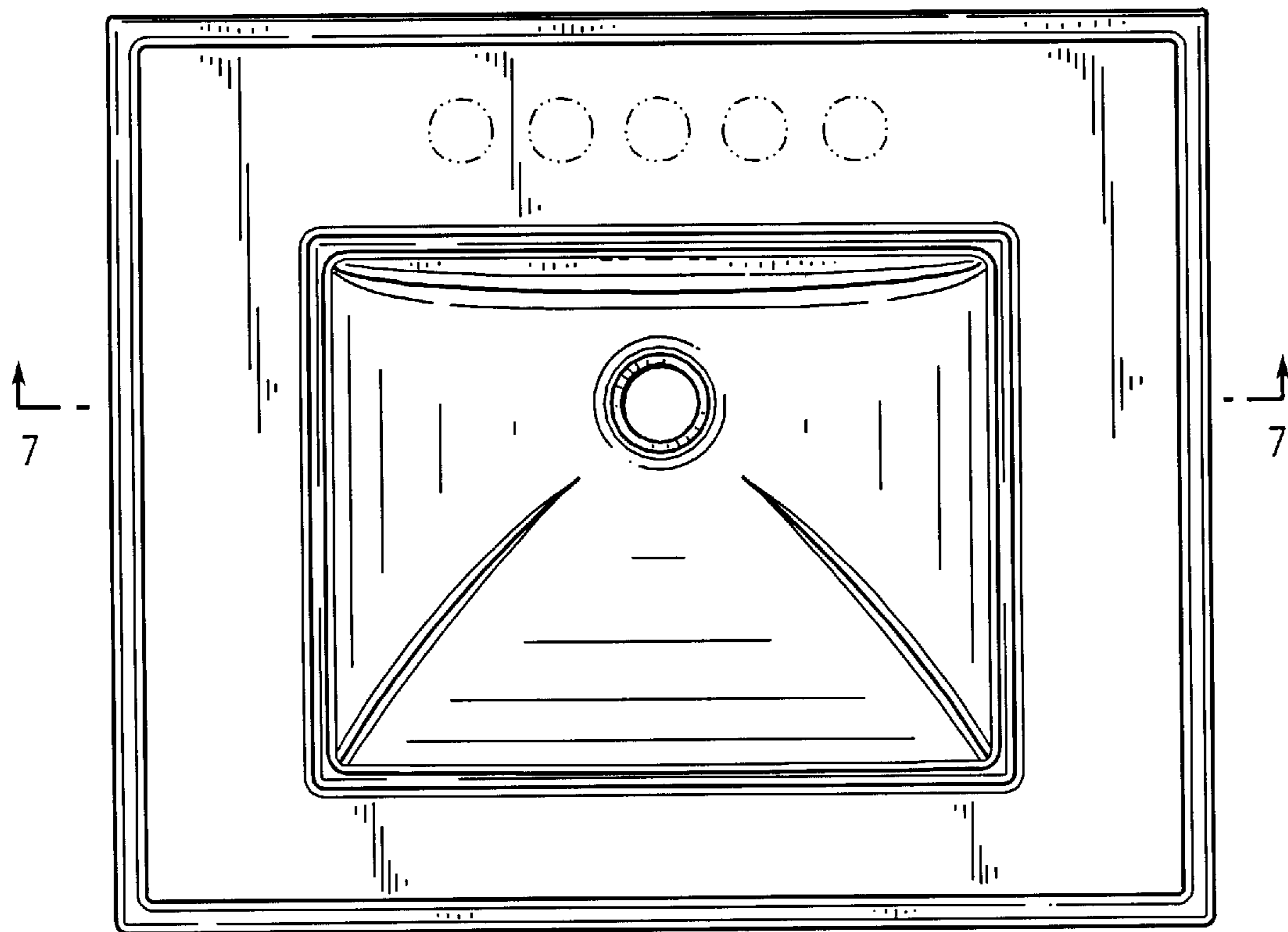


FIG. 3

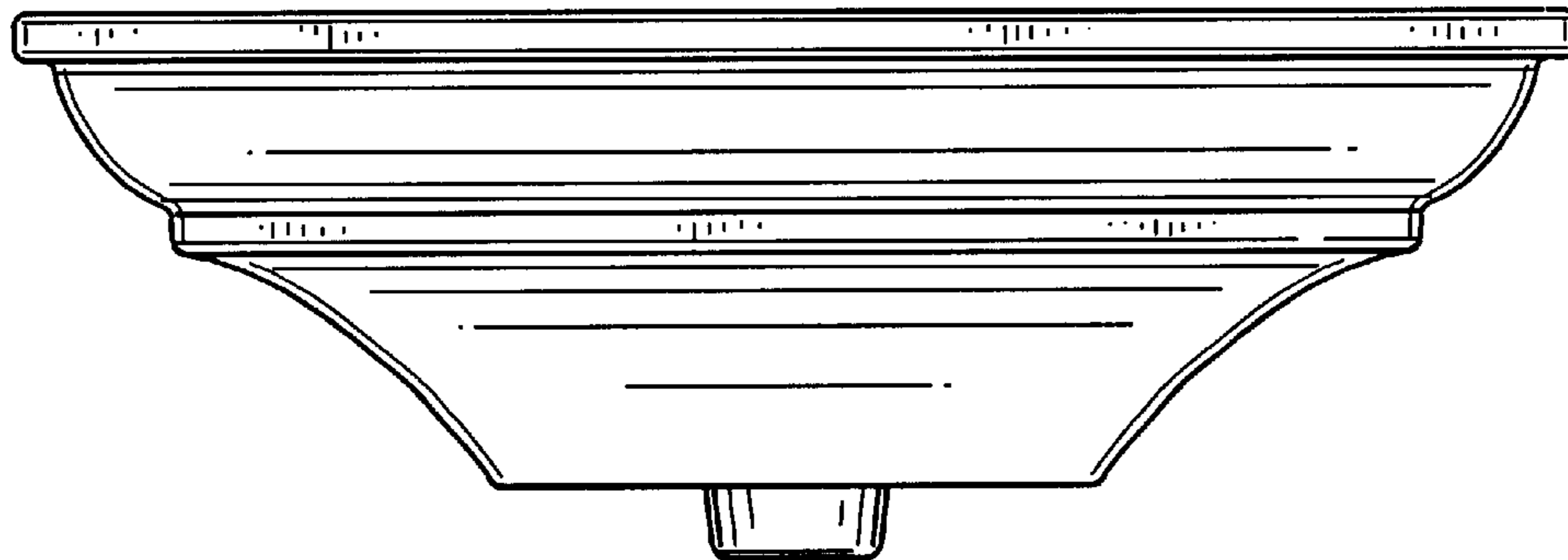


FIG. 4

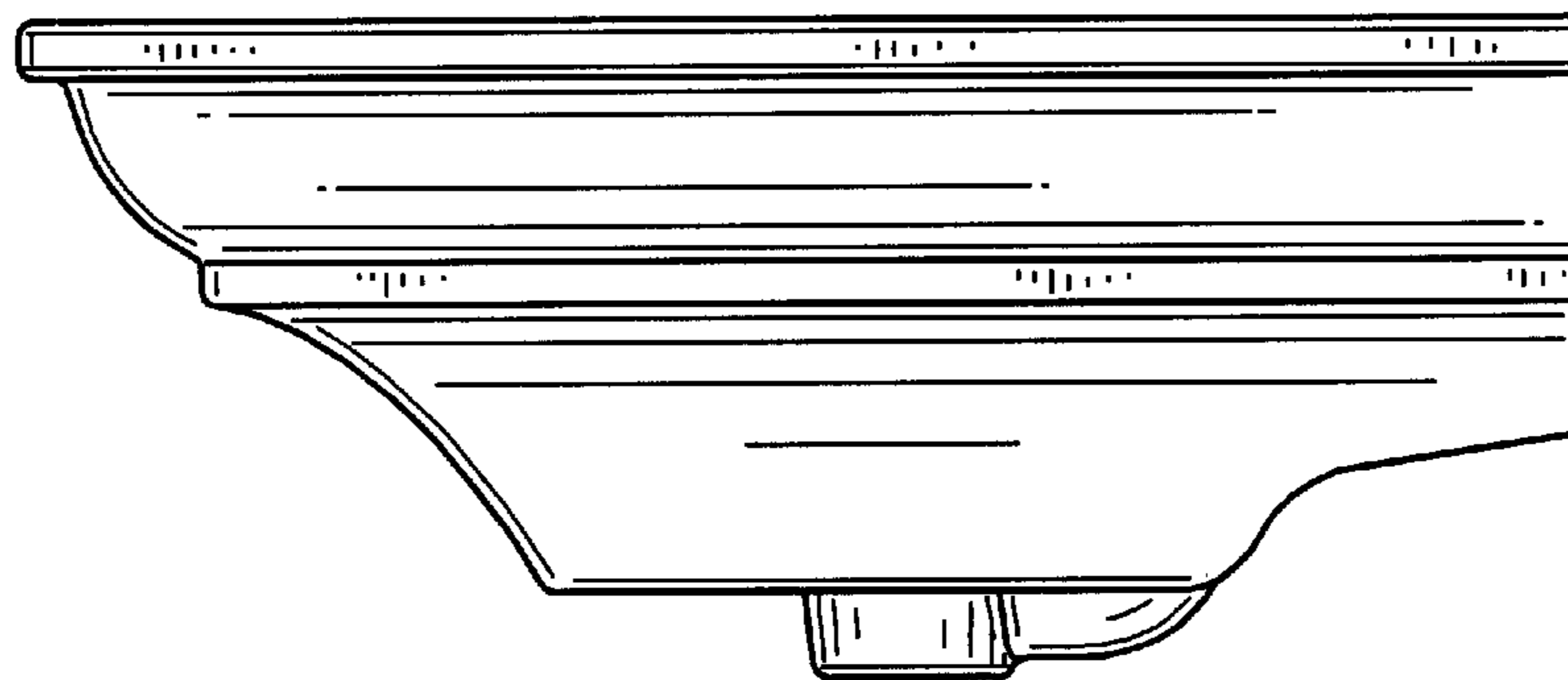


FIG. 5

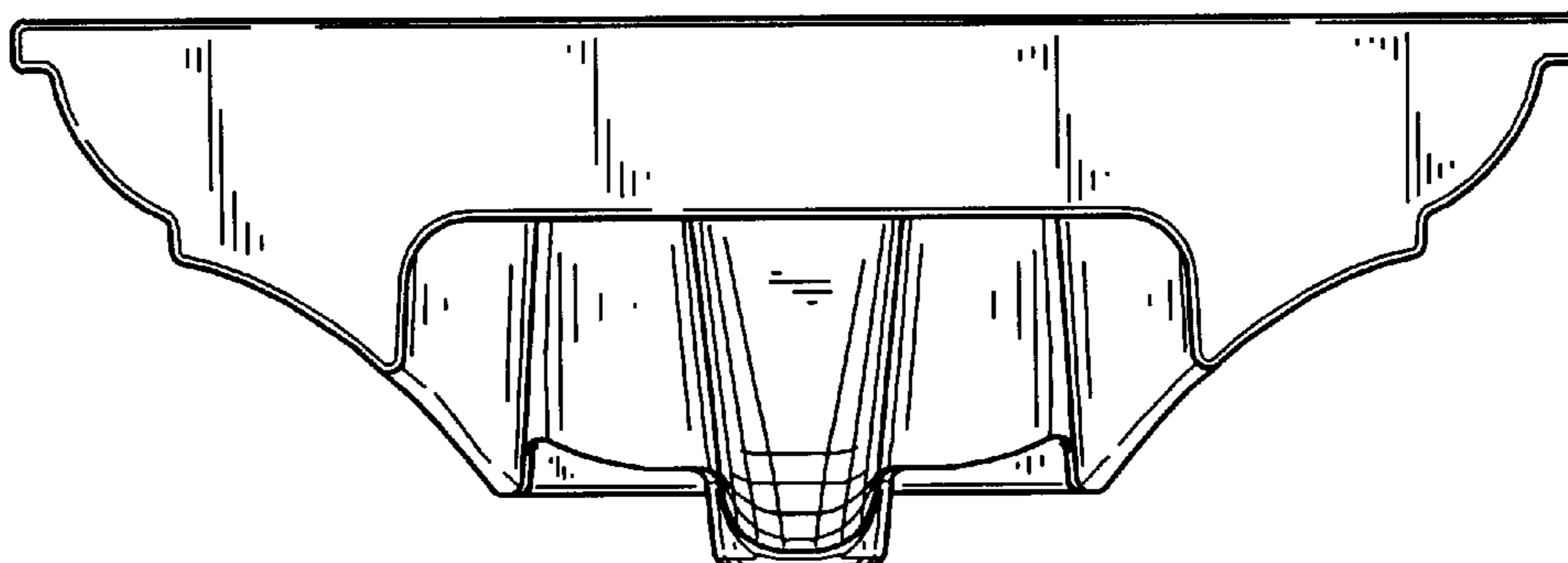


FIG. 6

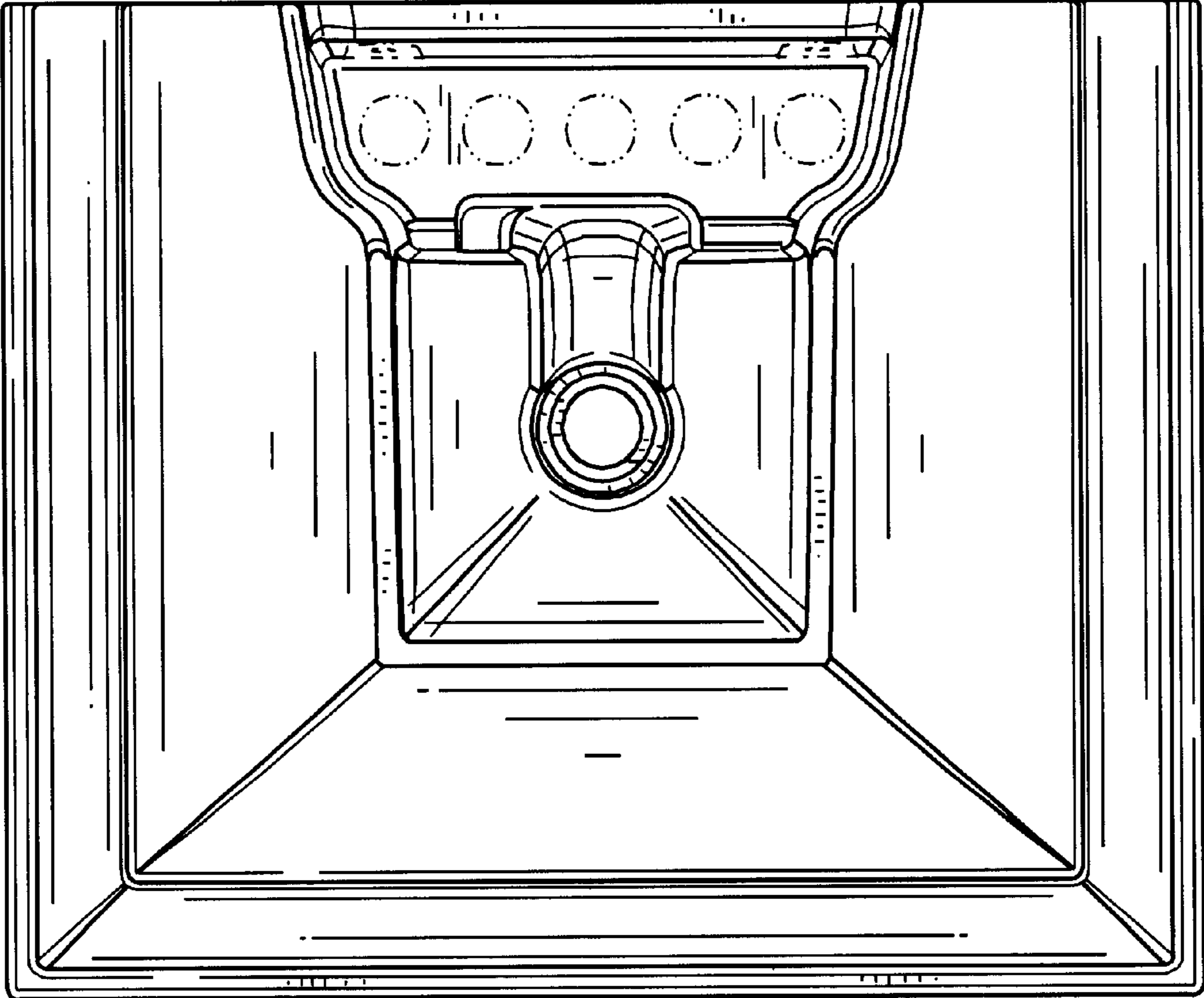


FIG. 7

