

US00D506532S

(12) **United States Design Patent**
Mayer

(10) **Patent No.: US D506,532 S**

(45) **Date of Patent: ** Jun. 21, 2005**

(54) **PEDESTAL SINK**

(75) **Inventor: Robert H Mayer, Delray Beach, FL (US)**

(73) **Assignee: Deco Lav, Inc., Deerfield Beach, FL (US)**

(**) **Term: 14 Years**

(21) **Appl. No.: 29/200,522**

(22) **Filed: Feb. 27, 2004**

(51) **LOC (8) Cl. 23-02**

(52) **U.S. Cl. D23/292**

(58) **Field of Search D23/270-271, 272, 273, 274, 275, 276, 277, 278, 279, 280, 281, 282, 283, 284, 292, 293.1, 303, 308; 4/662, 619, 624, 638, 643, 661**

(56) **References Cited**

U.S. PATENT DOCUMENTS

- D283,155 S 3/1986 Ronvik
- D319,095 S 8/1991 Lenahan
- D387,419 S 12/1997 Laguera Garza
- D407,470 S 3/1999 McKeone

- D414,549 S 9/1999 Kawamura
- D422,347 S 4/2000 Kawamura
- D441,062 S 4/2001 Kawamura
- D461,881 S 8/2002 McKeone
- D470,928 S 2/2003 Kawamura et al.
- D472,617 S 4/2003 Lanius
- D479,587 S 9/2003 Smith

Primary Examiner—Robert A. Delehanty
(74) *Attorney, Agent, or Firm*—Fleit Kain Gibbons Gutman Bongini & Bianco; Paul D. Bianco; Maritn Fleit

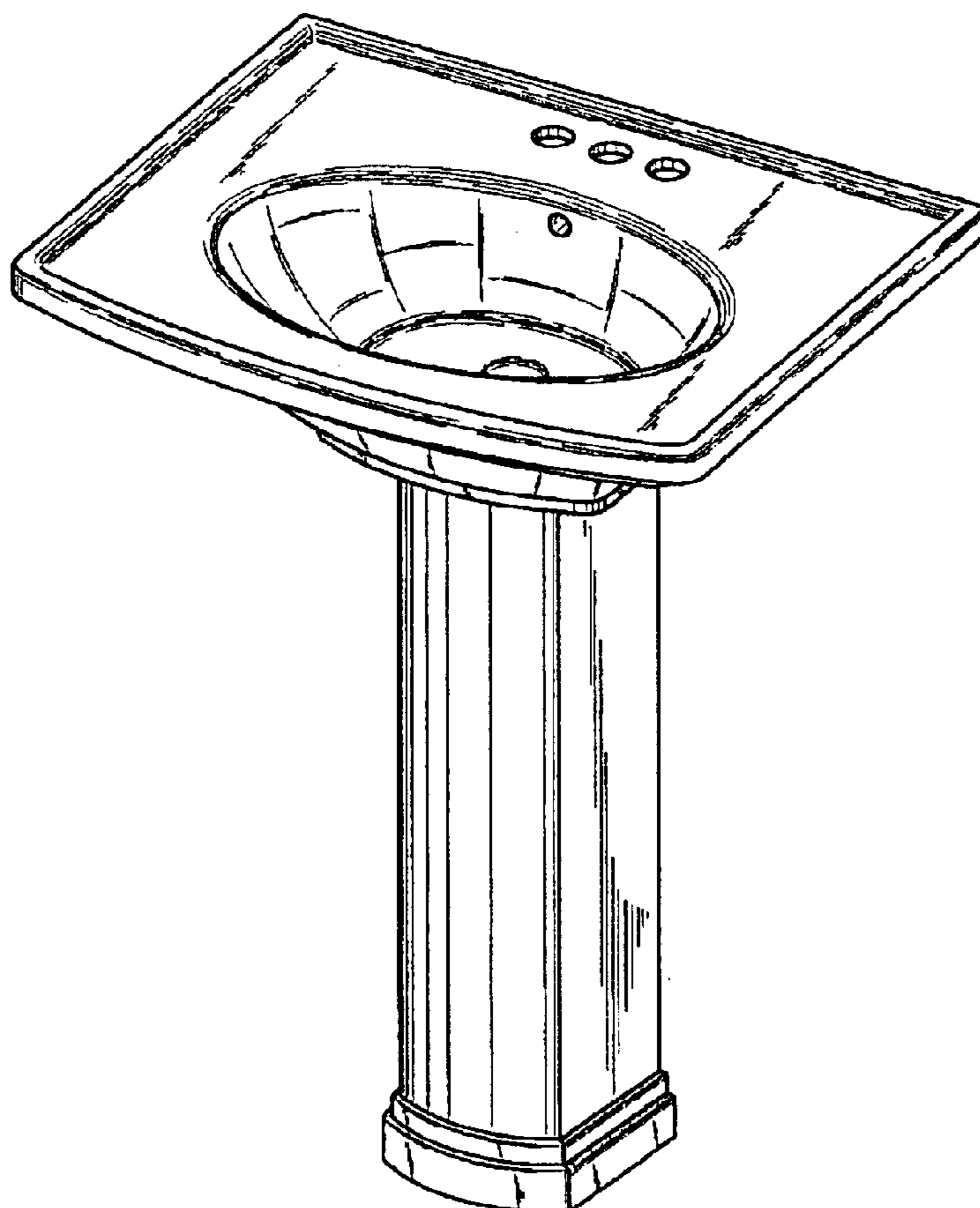
(57) **CLAIM**

The ornamental design for a pedestal sink, as shown and described.

DESCRIPTION

FIG. 1 is front perspective view of the pedestal sink of the subject invention;
FIG. 2 is a front view thereof;
FIG. 3 is a rear view thereof;
FIG. 4 is a right side view thereof, the left side being a mirror image of the right side shown;
FIG. 5 is a top view thereof; and,
FIG. 6 is a bottom view thereof.

1 Claim, 3 Drawing Sheets



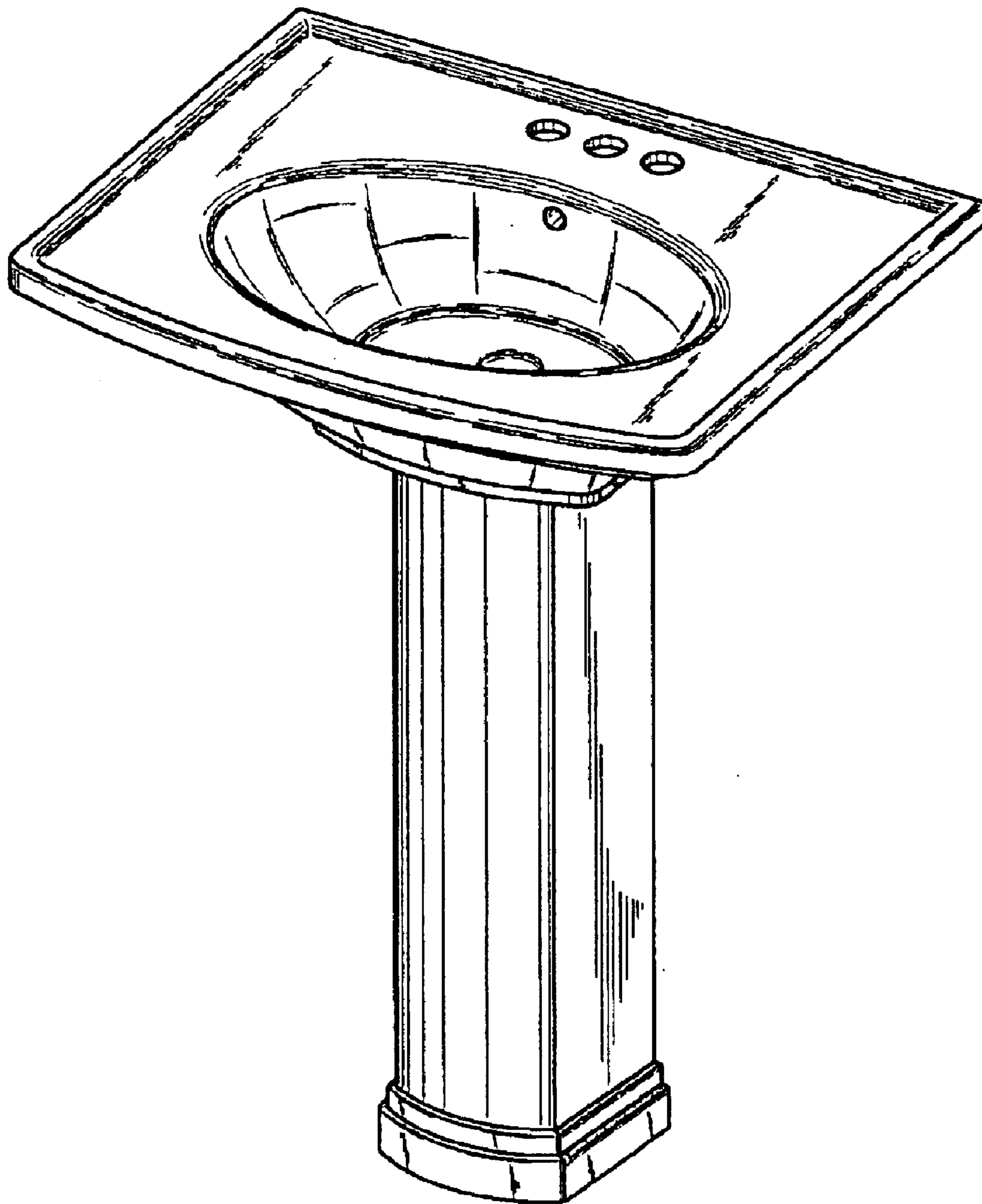


Fig. 1

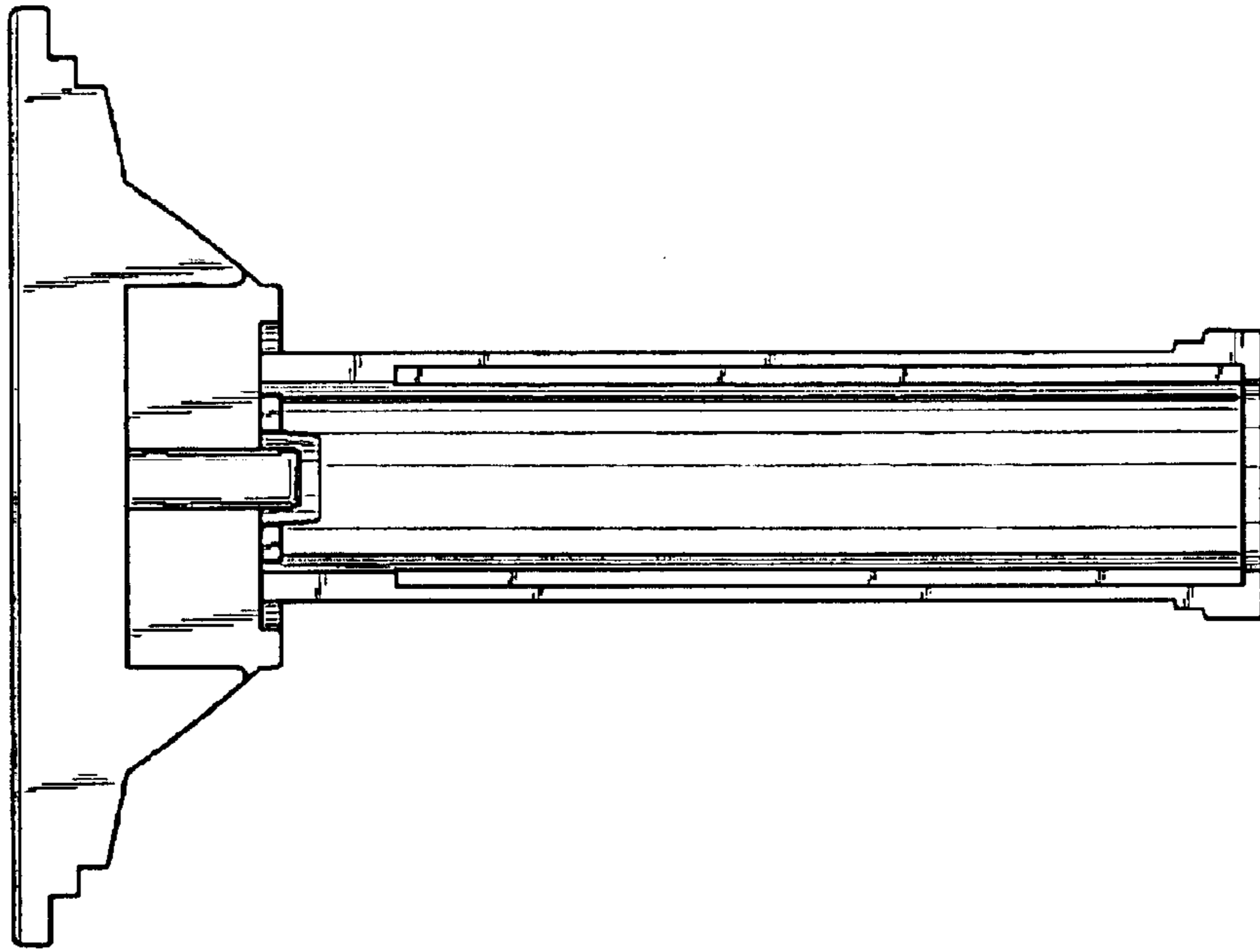


Fig. 3

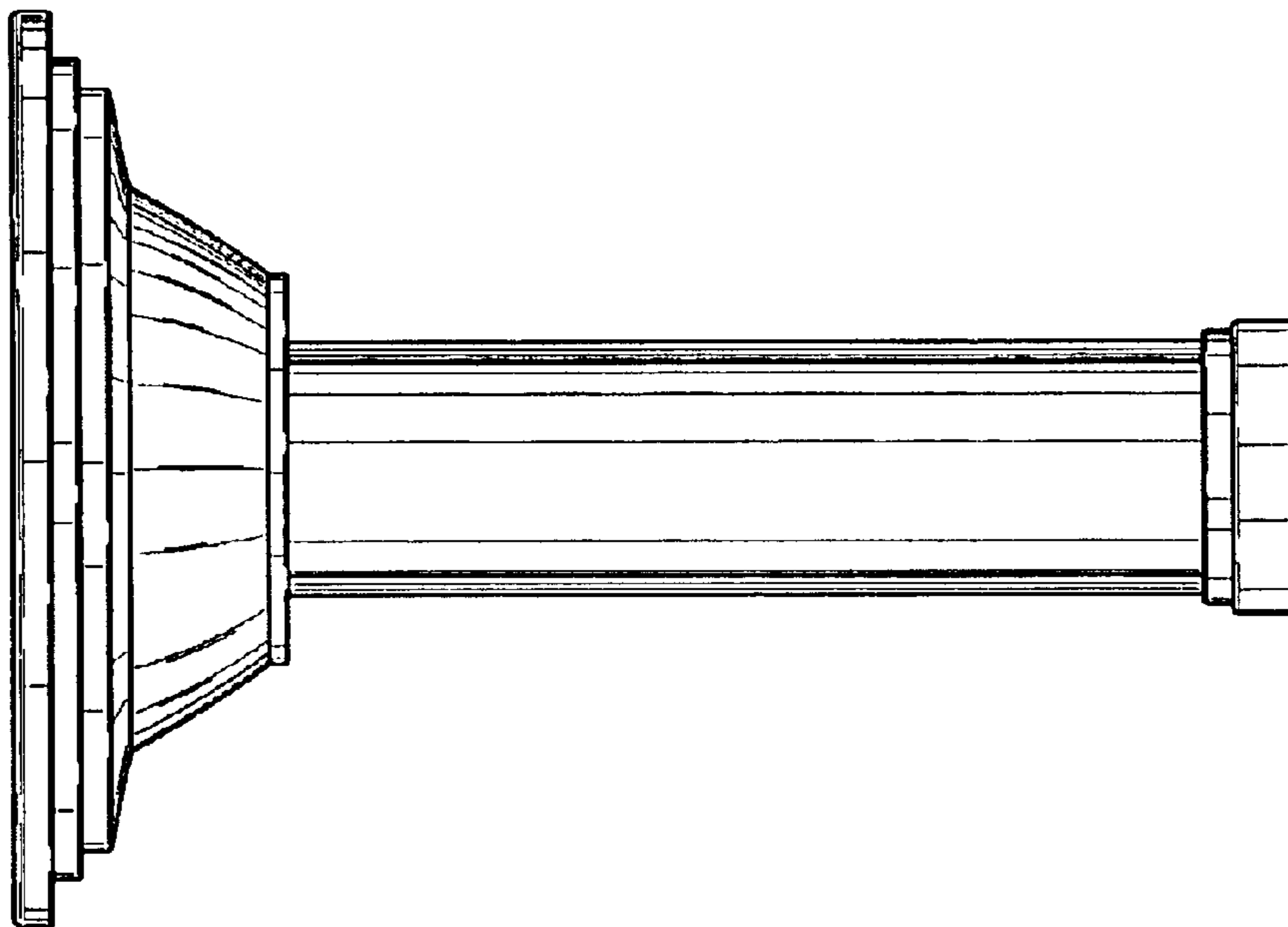


Fig. 2

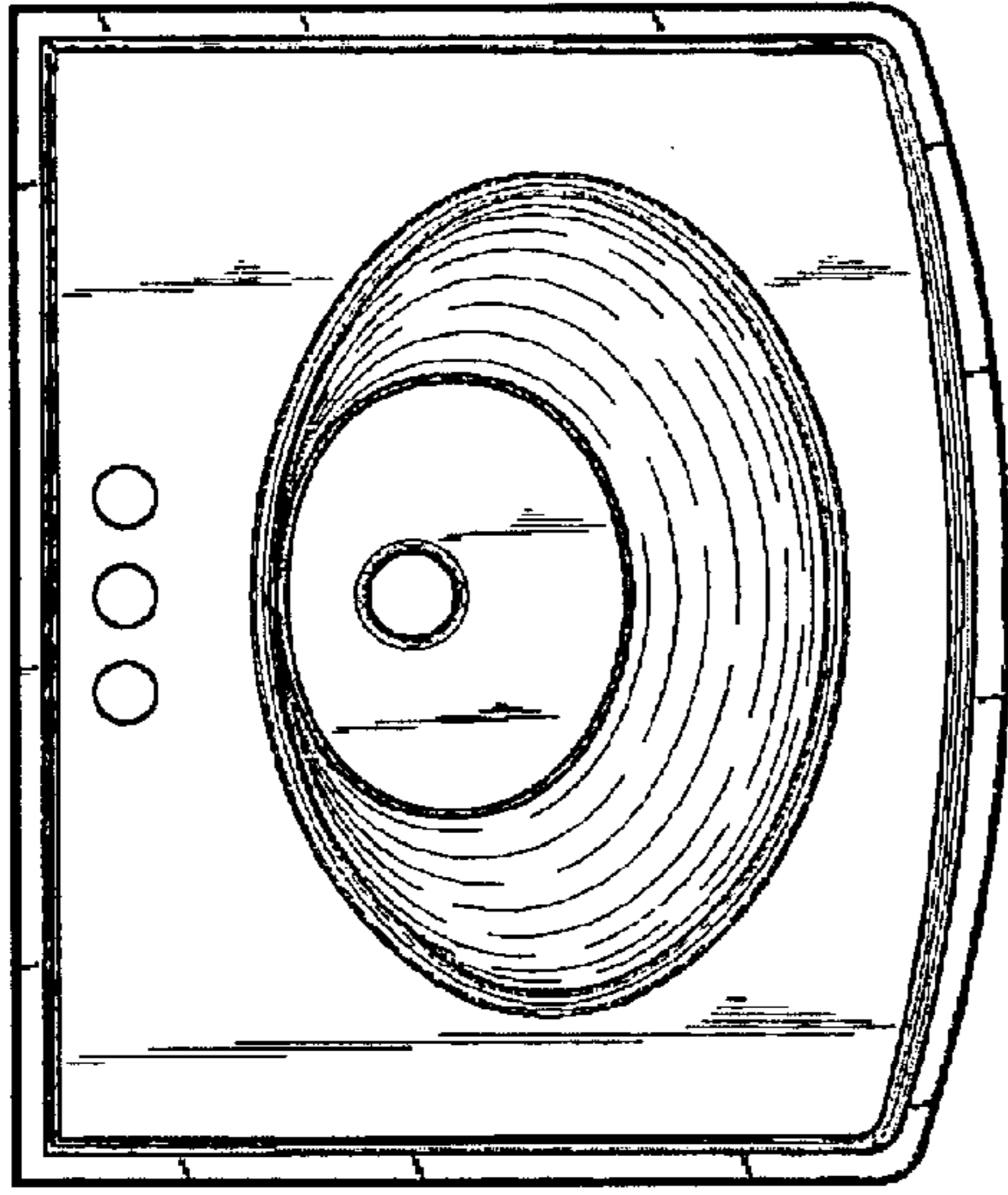


Fig. 5

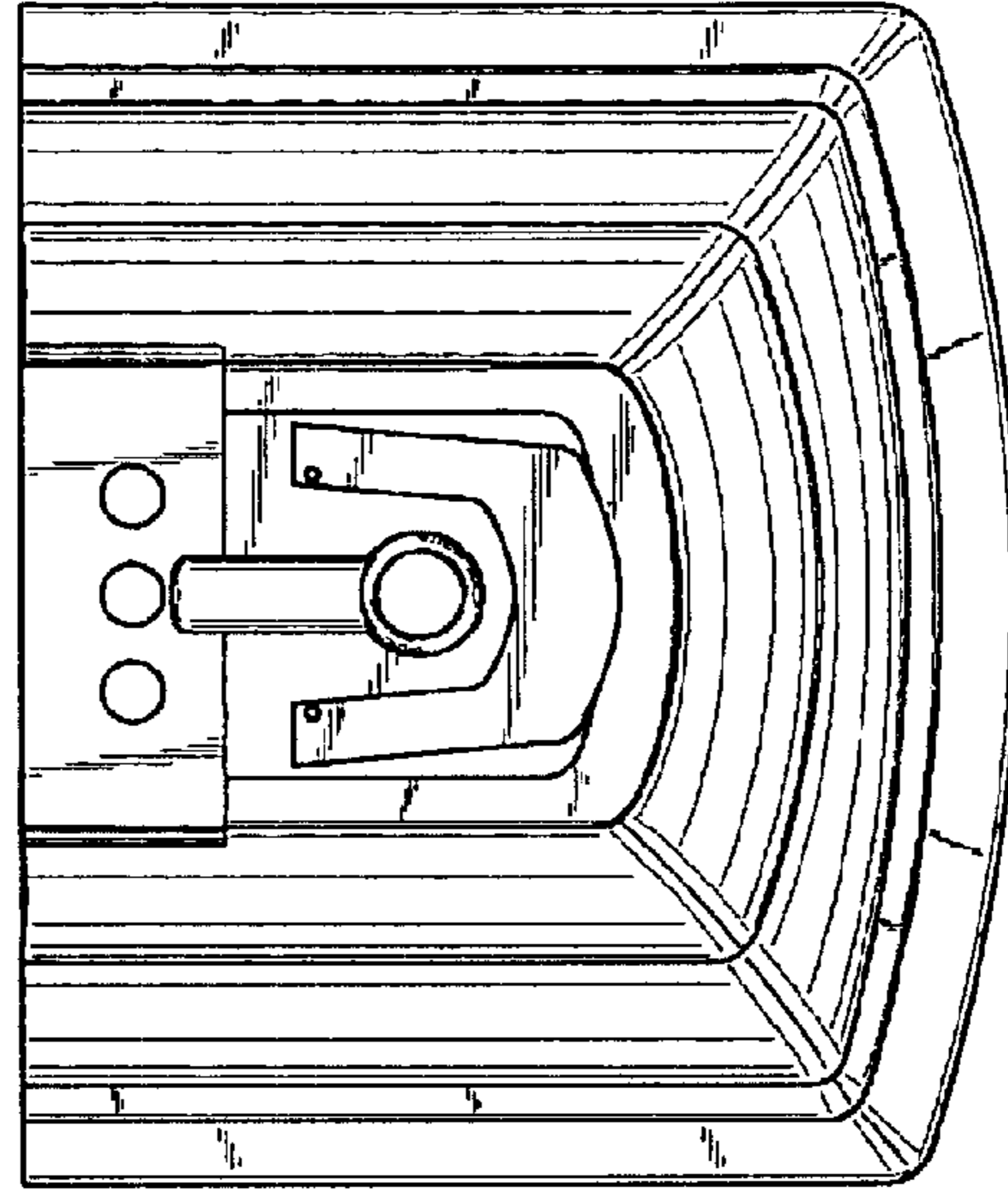


Fig. 6

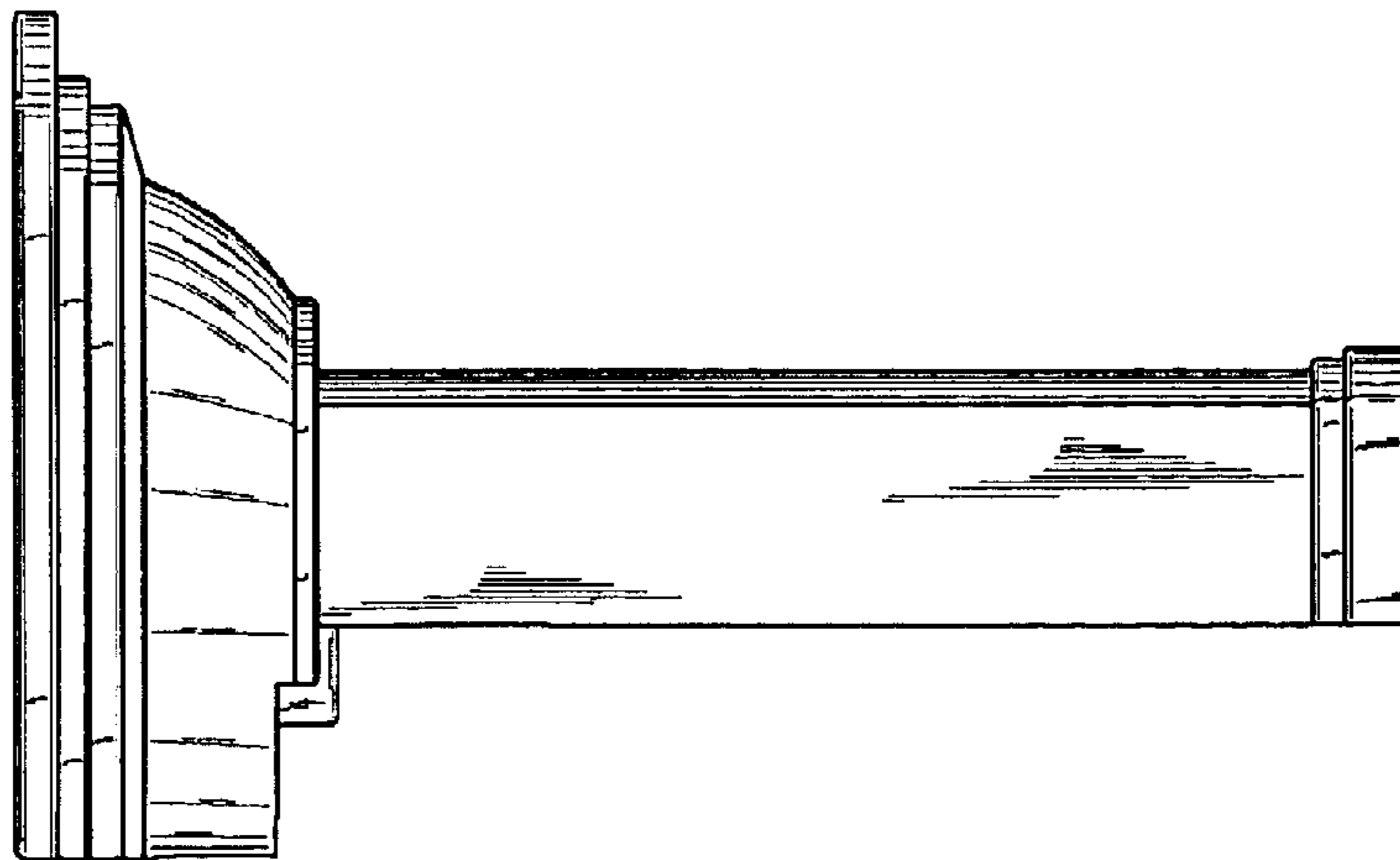


Fig. 4