



US00D506530S

(12) **United States Design Patent**
Kennard

(10) **Patent No.:** **US D506,530 S**
(45) **Date of Patent:** **** Jun. 21, 2005**

(54) **COMBINED FAUCET HANDLE AND BASE**

(75) **Inventor:** **Dan Kennard, Norcross, GA (US)**

(73) **Assignee:** **Fusion Hardware Group Inc.,
Norcross, GA (US)**

(**) **Term:** **14 Years**

(21) **Appl. No.:** **29/206,817**

(22) **Filed:** **Jun. 4, 2004**

(51) **LOC (8) Cl.** **23-01**

(52) **U.S. Cl.** **D23/252**

(58) **Field of Search** D23/238-243,
D23/245, 250-257; D8/300-322, 350-353,
DIG. 3; 16/110.1; 4/675-678; 137/801

(56) **References Cited**

U.S. PATENT DOCUMENTS

D186,012 S * 8/1959 Sosnick D23/252
D284,687 S * 7/1986 Doman et al. D23/249
D323,021 S * 1/1992 Kohler et al. D23/252
D329,188 S * 9/1992 Paul D8/308

D347,268 S * 5/1994 Paul D23/252
D468,406 S * 1/2003 Sacks et al. D23/252
D493,213 S * 7/2004 Svendsen et al. D23/252
D499,171 S * 11/2004 Citterio D23/245

* cited by examiner

Primary Examiner—Louis S. Zarfaz

Assistant Examiner—Gregory Andoll

(74) *Attorney, Agent, or Firm*—Troxell Law Office, PLLC

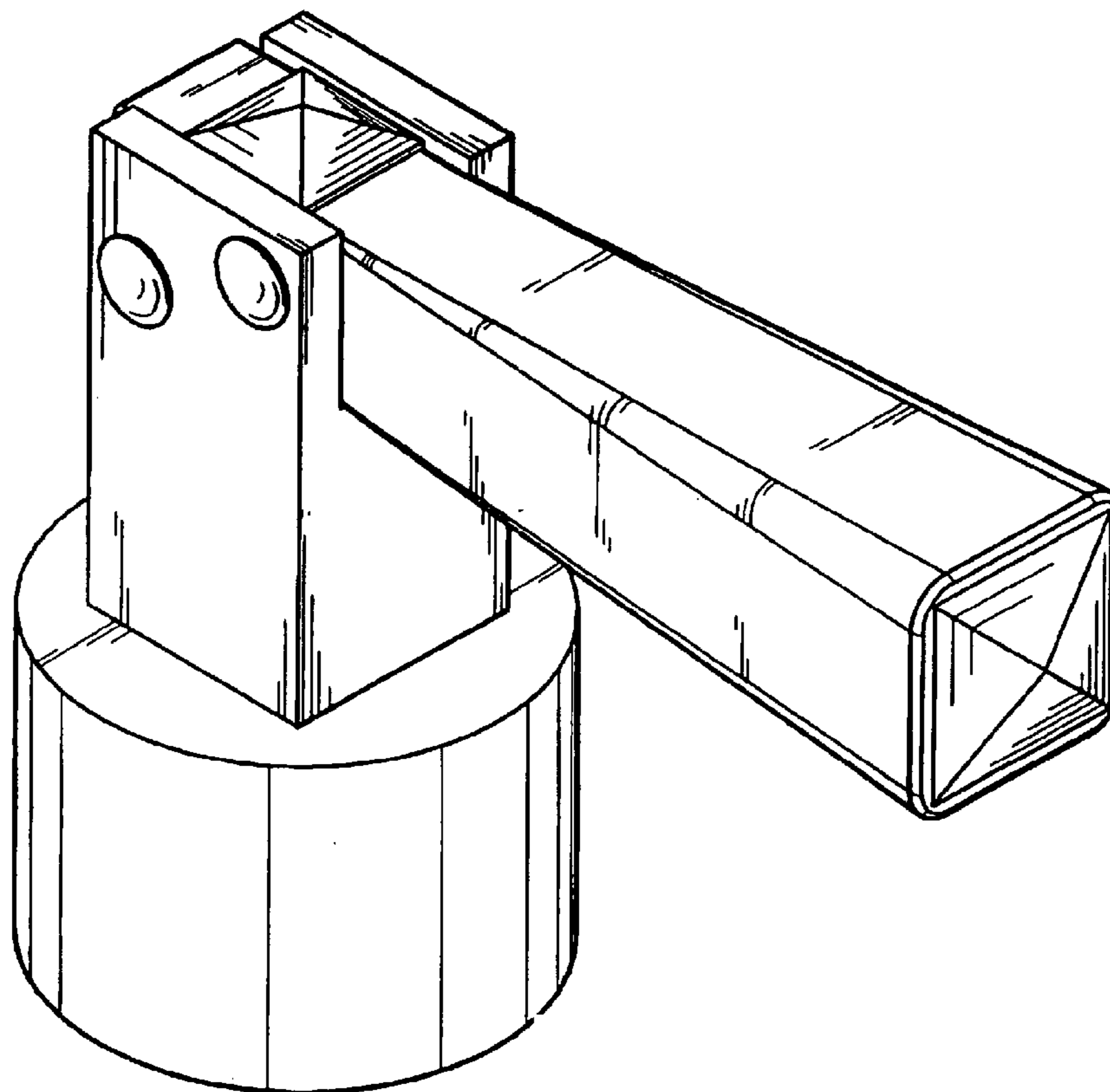
(57) **CLAIM**

The ornamental design for combined faucet handle and base, as show and described.

DESCRIPTION

FIG. 1 is a perspective view of combined faucet handle and base showing my new design;
FIG. 2 is a front elevational view thereof;
FIG. 3 is a rear elevational view thereof;
FIG. 4 is a left elevational view thereof;
FIG. 5 is a right elevational view thereof;
FIG. 6 is a top plan view thereof; and,
FIG. 7 is a bottom plan view thereof.

1 Claim, 4 Drawing Sheets



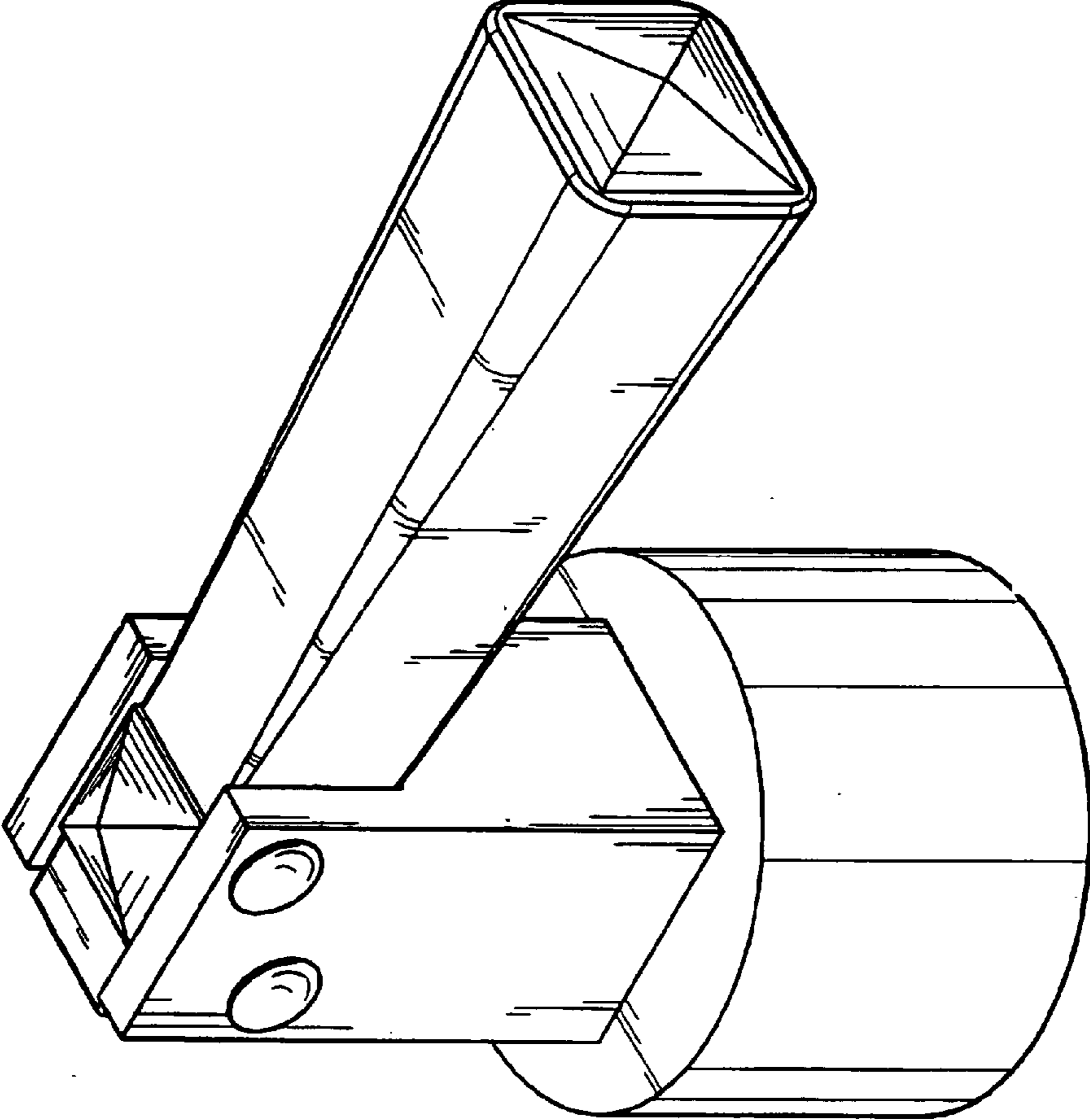


FIG. 1

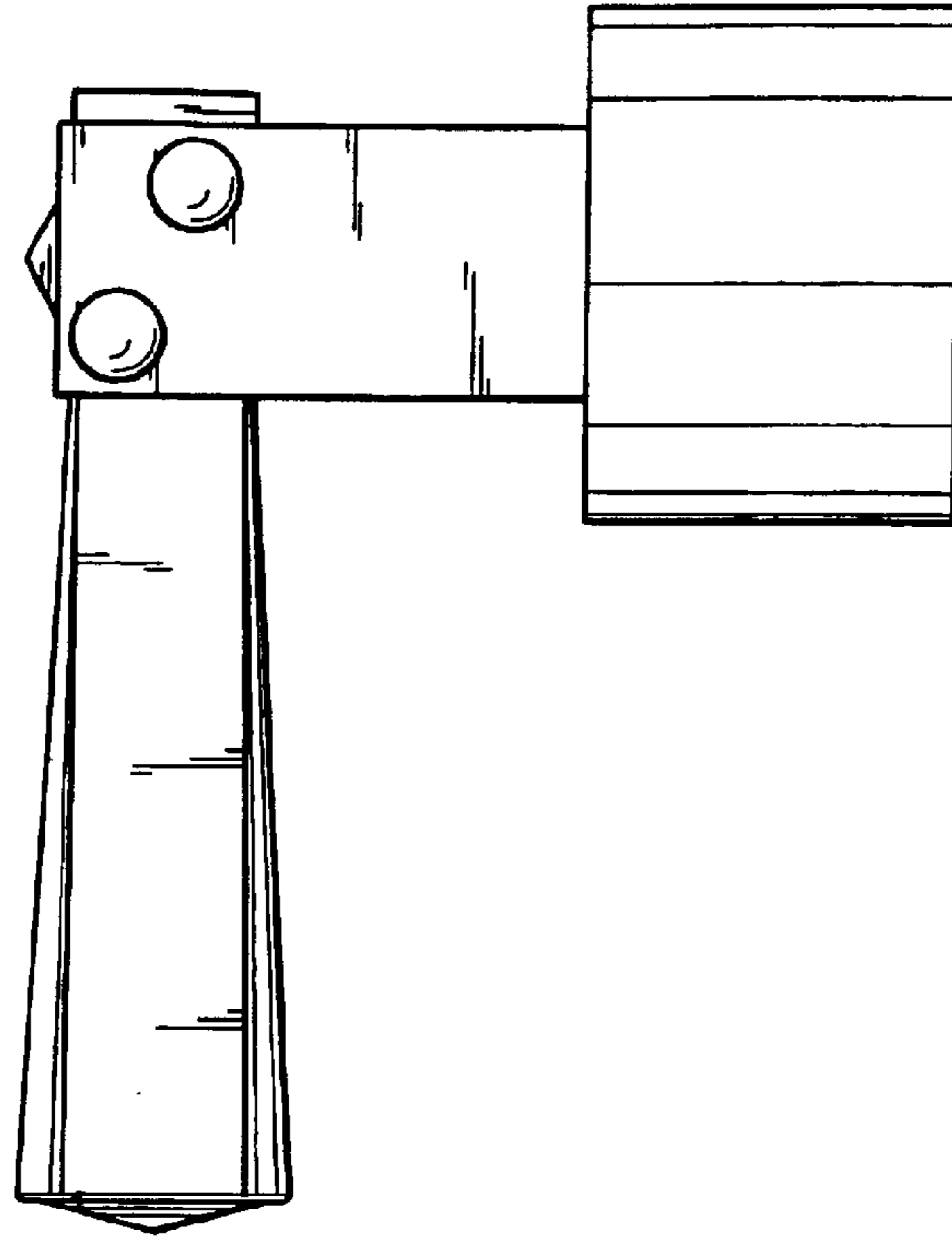


FIG. 2

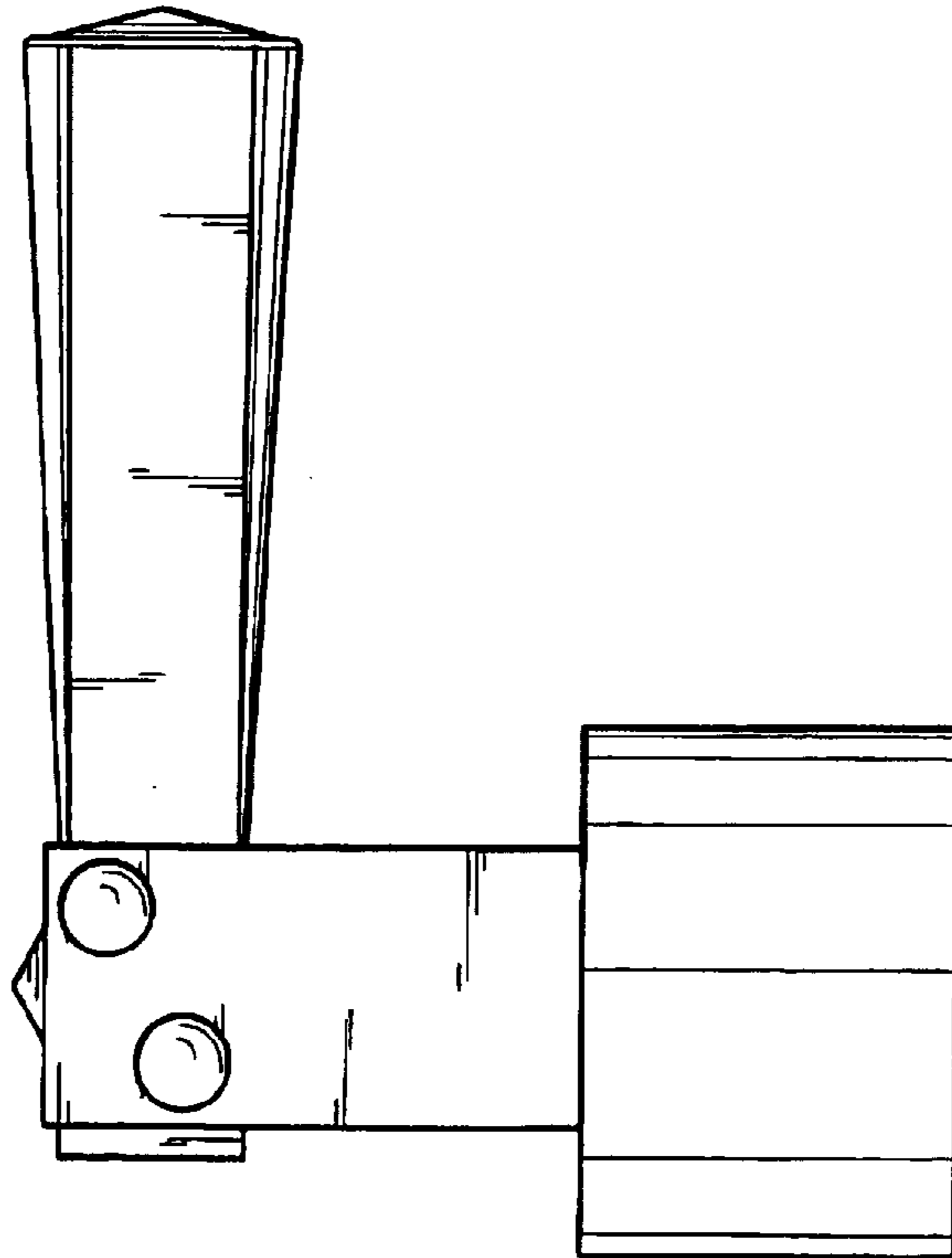


FIG. 3

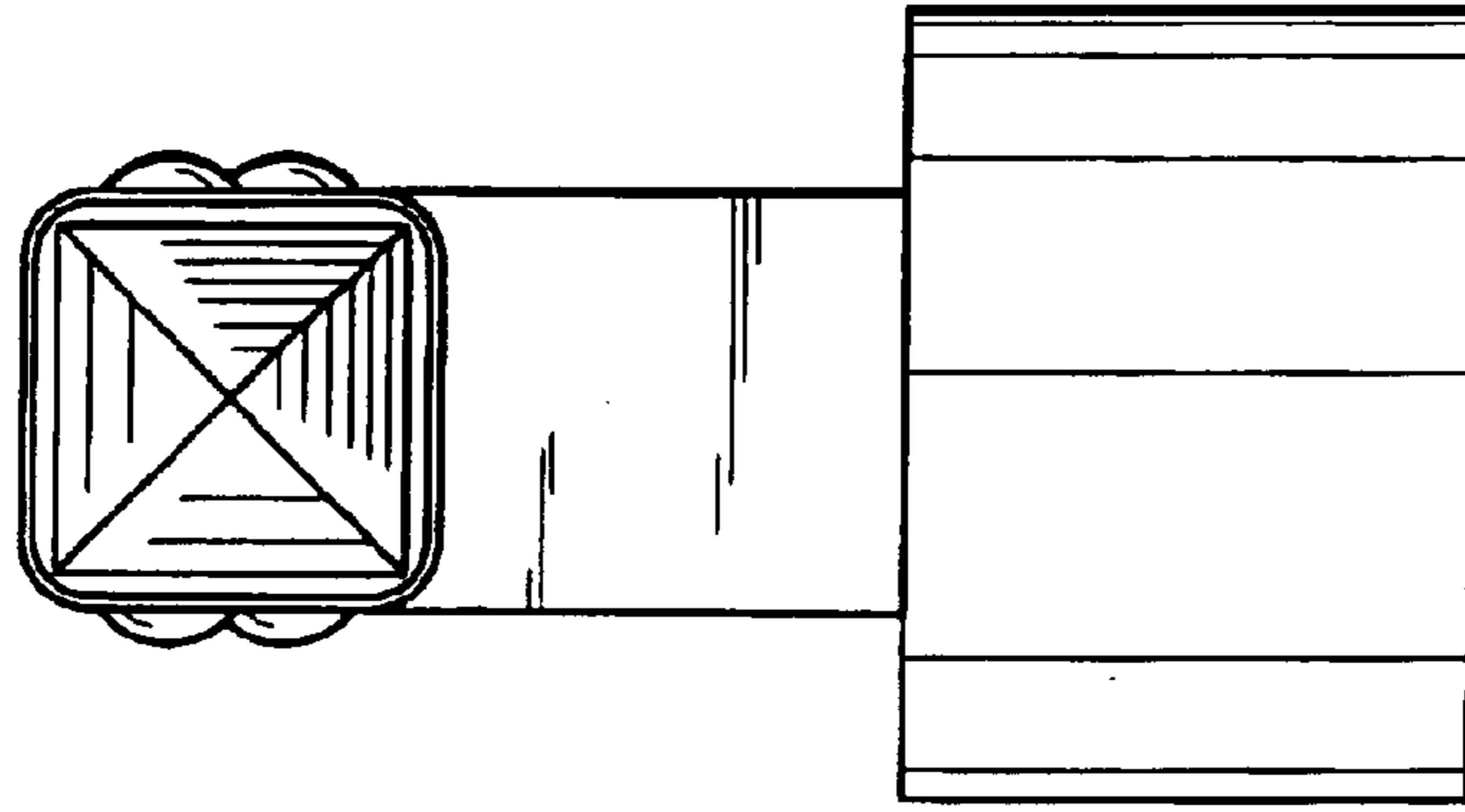


FIG. 5

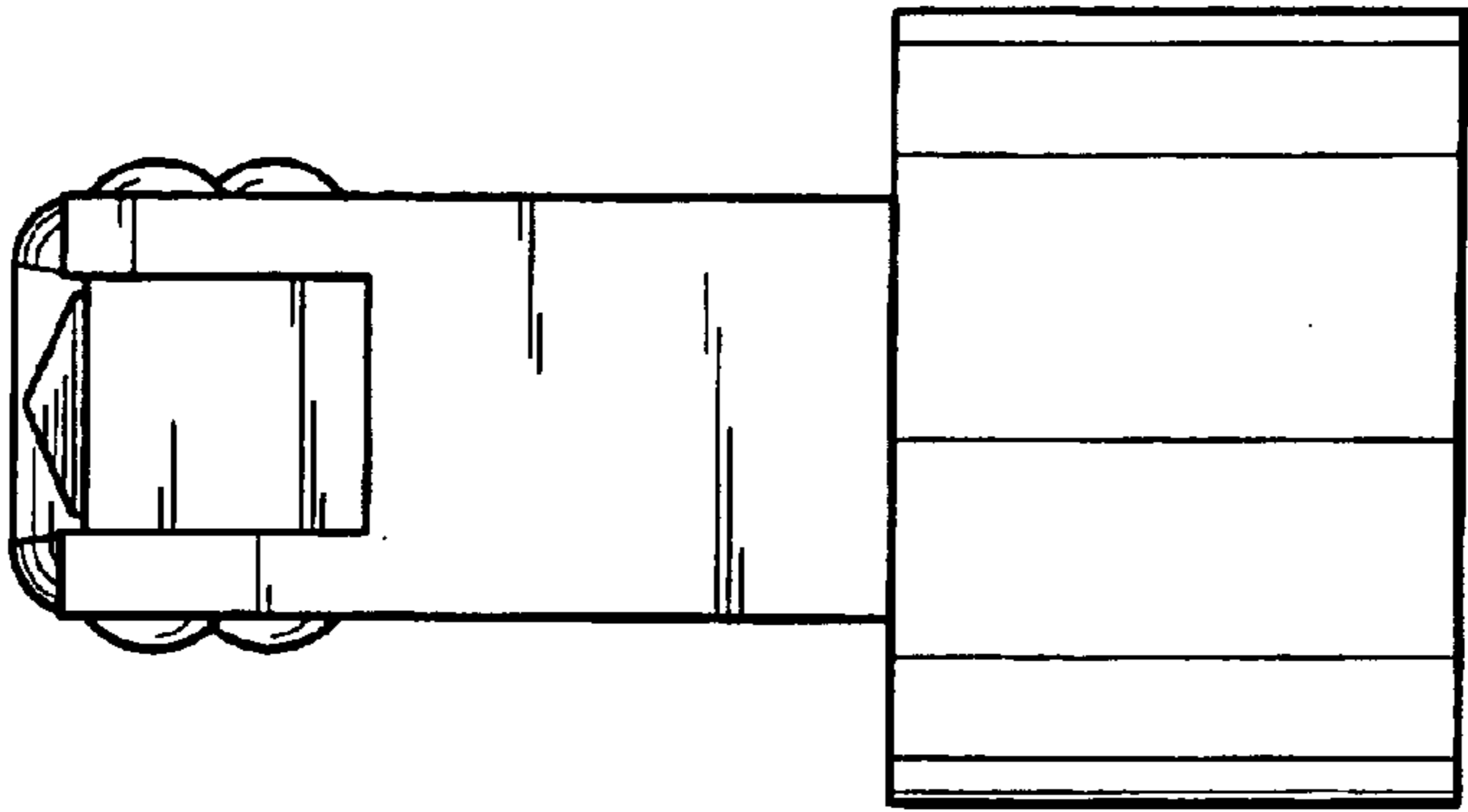


FIG. 4

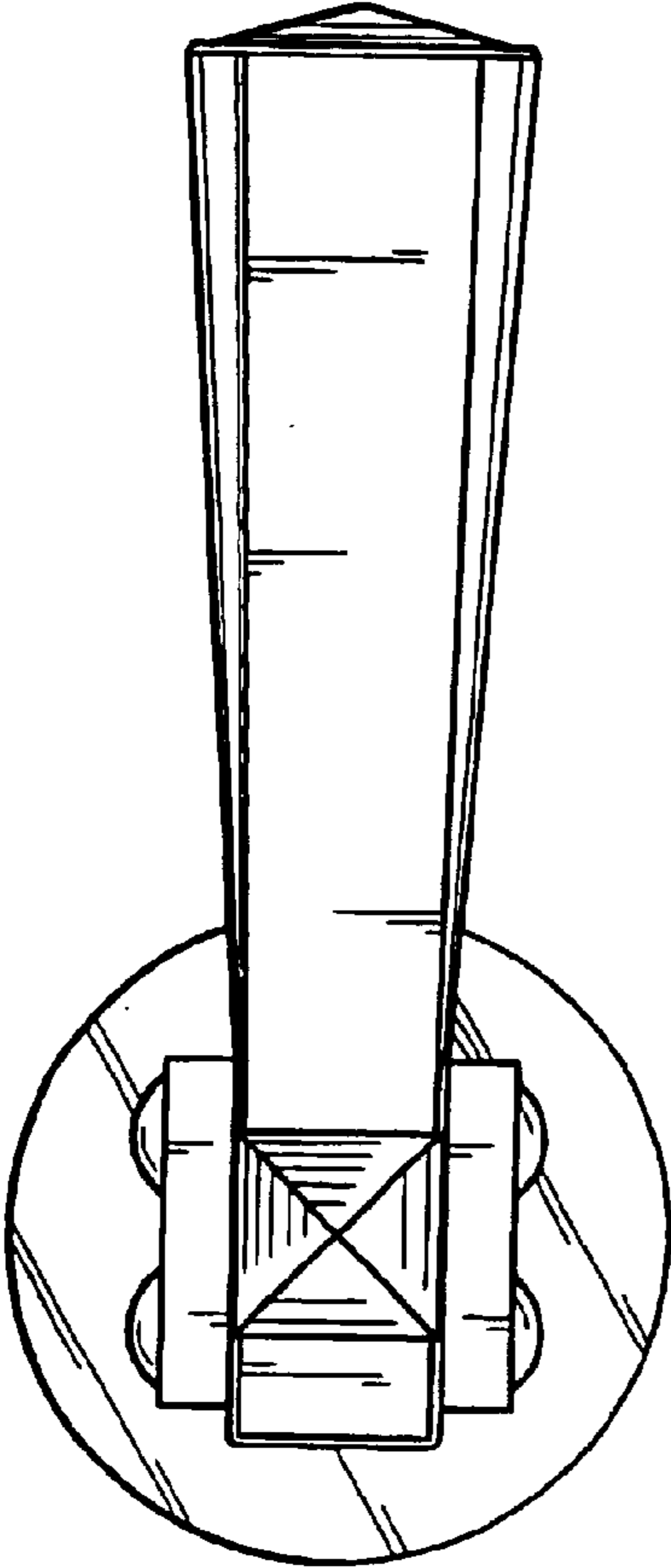


FIG. 6

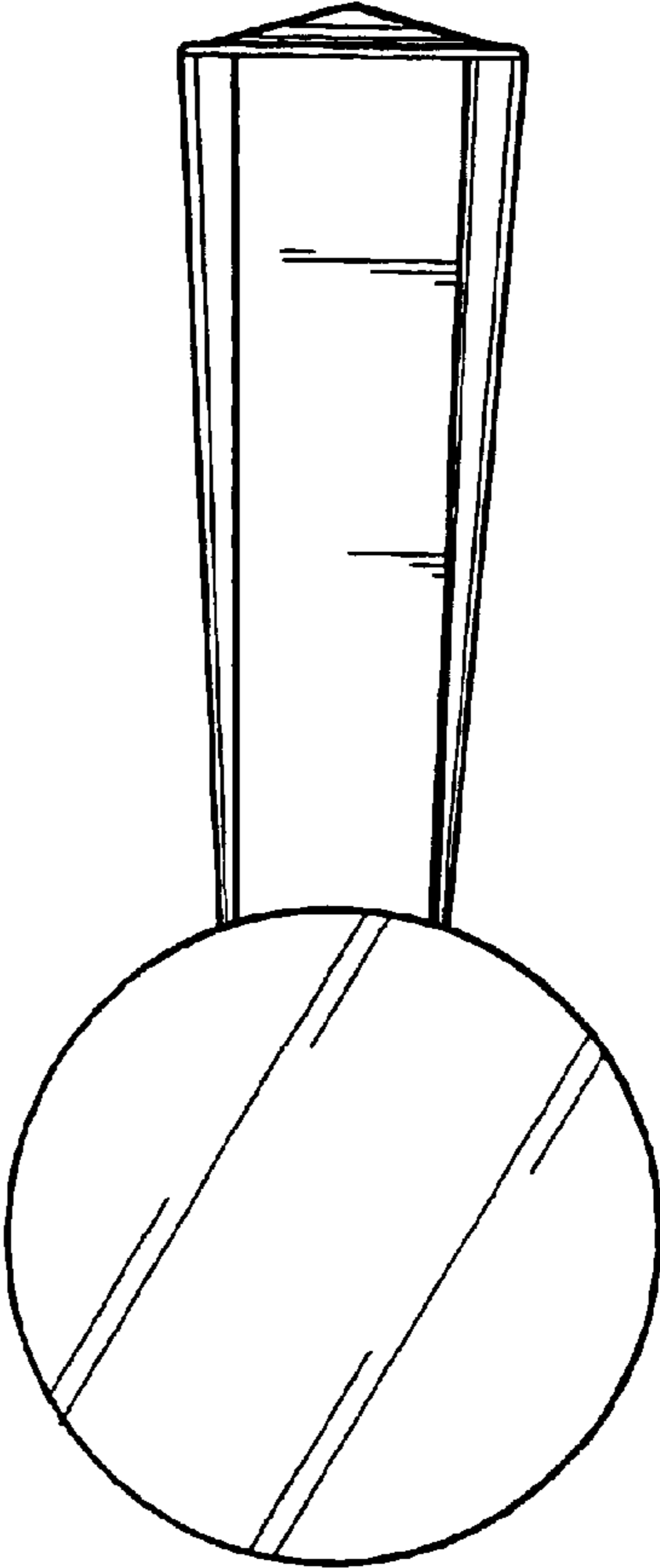


FIG. 7